

US00D754492S

(12) **United States Design Patent**
Katopis

(10) **Patent No.:** **US D754,492 S**
(45) **Date of Patent:** **** Apr. 26, 2016**

- (54) **ADAPTABLE ASSISTANCE TOOL APPLIANCE**
- (71) Applicant: **Chris J. Katopis**, Washington, DC (US)
- (72) Inventor: **Chris J. Katopis**, Washington, DC (US)
- (**) Term: **14 Years**
- (21) Appl. No.: **29/517,706**
- (22) Filed: **Feb. 16, 2015**
- (51) **LOC (10) Cl.** **07-03**
- (52) **U.S. Cl.**
USPC **D7/642; D7/653**
- (58) **Field of Classification Search**
USPC D2/612; D7/368, 401.2, 642-645, 648, D7/653-664, 669, 675-677, 683, 688-689, D7/691; D8/98, 107, 300-301; D11/99; D14/460; D22/117-118
CPC A01D 9/02; A01D 9/04; A01D 9/06; A45F 3/20; A47G 21/00; A47G 21/004; A47G 21/005; A47G 21/02; A47G 21/023; A47G 21/04; A47G 21/06; A47G 21/08; A47J 43/28; A47J 43/281; A47J 43/282; A61F 5/0118; A61F 13/10; A61J 7/0023; B25G 1/00; B25G 1/01; B25G 1/02; B25G 3/00; B65D 75/56; B65D 75/563; B65D 75/566; B67B 7/00; B67B 7/724; B67B 7/73
See application file for complete search history.

- 5,193,771 A * 3/1993 Hassel A61F 5/0118
248/118
- D335,023 S * 4/1993 Hutcheson D2/612
- D368,705 S * 4/1996 deLeon D14/460
- D413,531 S 9/1999 Philippe
- 6,173,866 B1 * 1/2001 Taylor, Jr. A45F 3/20
222/175
- D442,508 S 5/2001 Torres
- D481,287 S * 10/2003 Crist D8/98
- D507,203 S * 7/2005 Claude D11/99
- D528,263 S 9/2006 Van Trojen
- D567,143 S 4/2008 Nicol
- D590,214 S * 4/2009 Cox D7/643
- D606,315 S 12/2009 Mangano et al.
- D696,904 S * 1/2014 Swierski D7/401.2
- D718,171 S 11/2014 Fakesch

* cited by examiner

Primary Examiner — Ricky Pham
(74) *Attorney, Agent, or Firm* — Chris J. Katopis

(57) **CLAIM**
The ornamental design for an adaptable assistance tool appliance, as shown and described.

DESCRIPTION

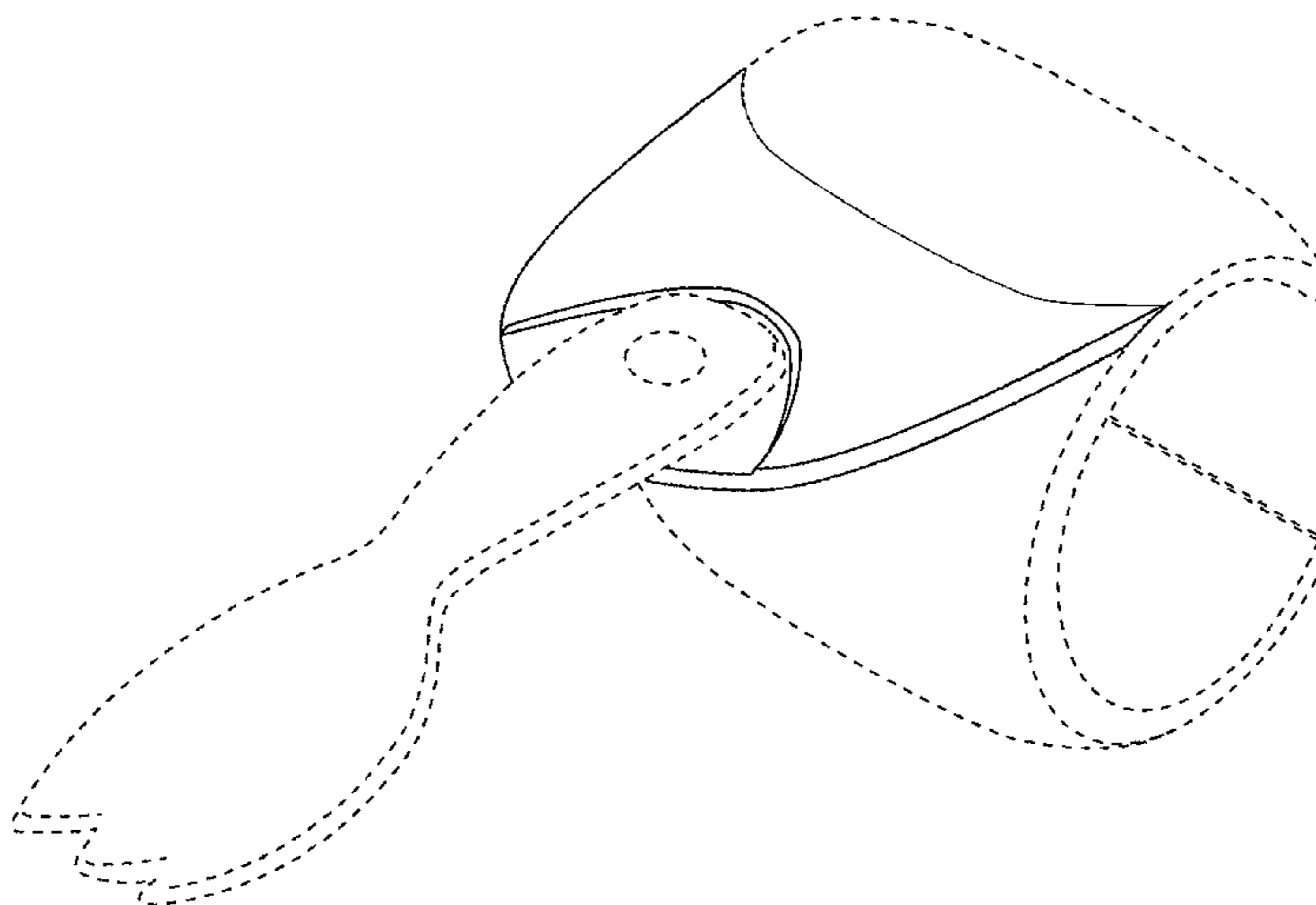
FIG. 1 is a front perspective view of an adaptable assistance tool appliance, showing the new design;
 FIG. 2 is a front view thereof;
 FIG. 3 is a back view thereof;
 FIG. 4 is a side view thereof, the opposite side being a mirror image thereof;
 FIG. 5 is a top view thereof; and,
 FIG. 6 is a bottom view thereof.

Any showing of the tool, the environment and/or drawing disclosure by broken lines is for illustrative purposes only and forms no part of the claimed design.

The claimed adaptable assistance tool appliance may be worn on one's wrist and/or hand and/or extremity, and may receive a tool, including but not limited to, an eating utensil and/or toothbrush and/or pen and/or stylus and/or other attachable device.

1 Claim, 5 Drawing Sheets

- (56) **References Cited**
U.S. PATENT DOCUMENTS
- D161,359 S * 12/1950 Milne 30/324
- D191,406 S * 9/1961 Newmark D24/195
- 5,058,279 A * 10/1991 Mars A47G 21/08
30/323
- 5,060,386 A * 10/1991 Mars A47G 21/08
30/150
- 5,131,151 A * 7/1992 Agase A47G 21/02
224/220



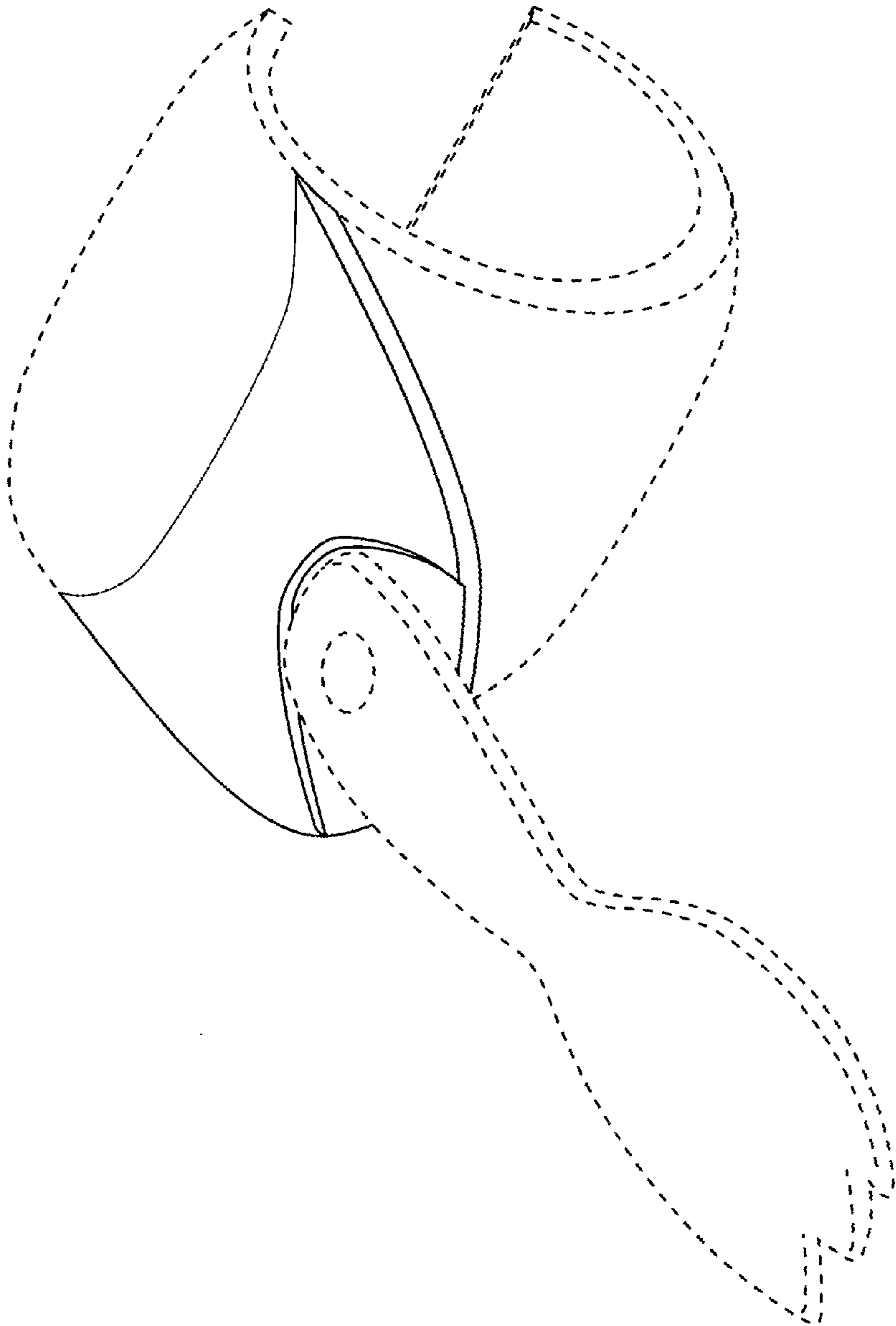


FIG. 1

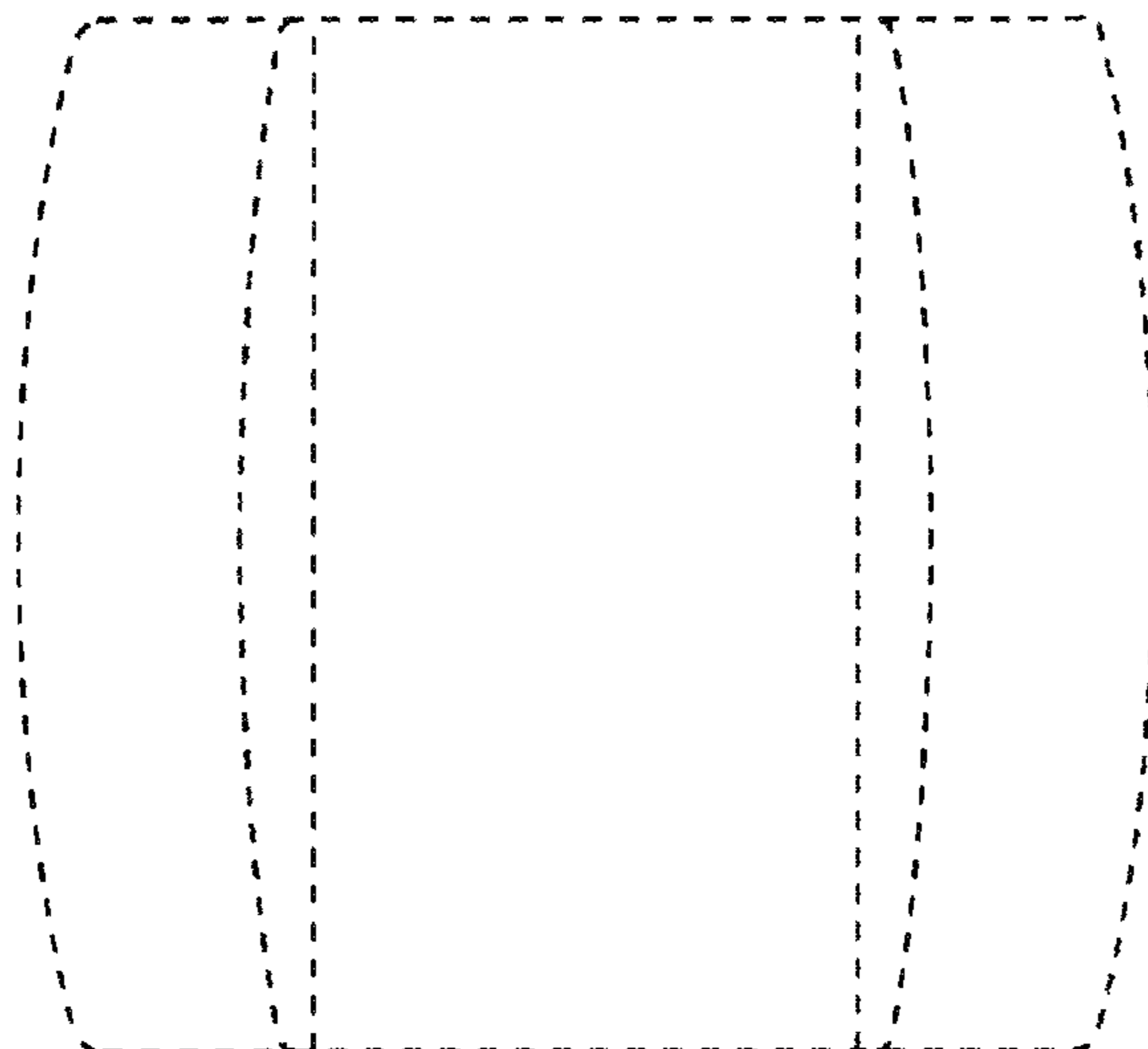


FIG. 3

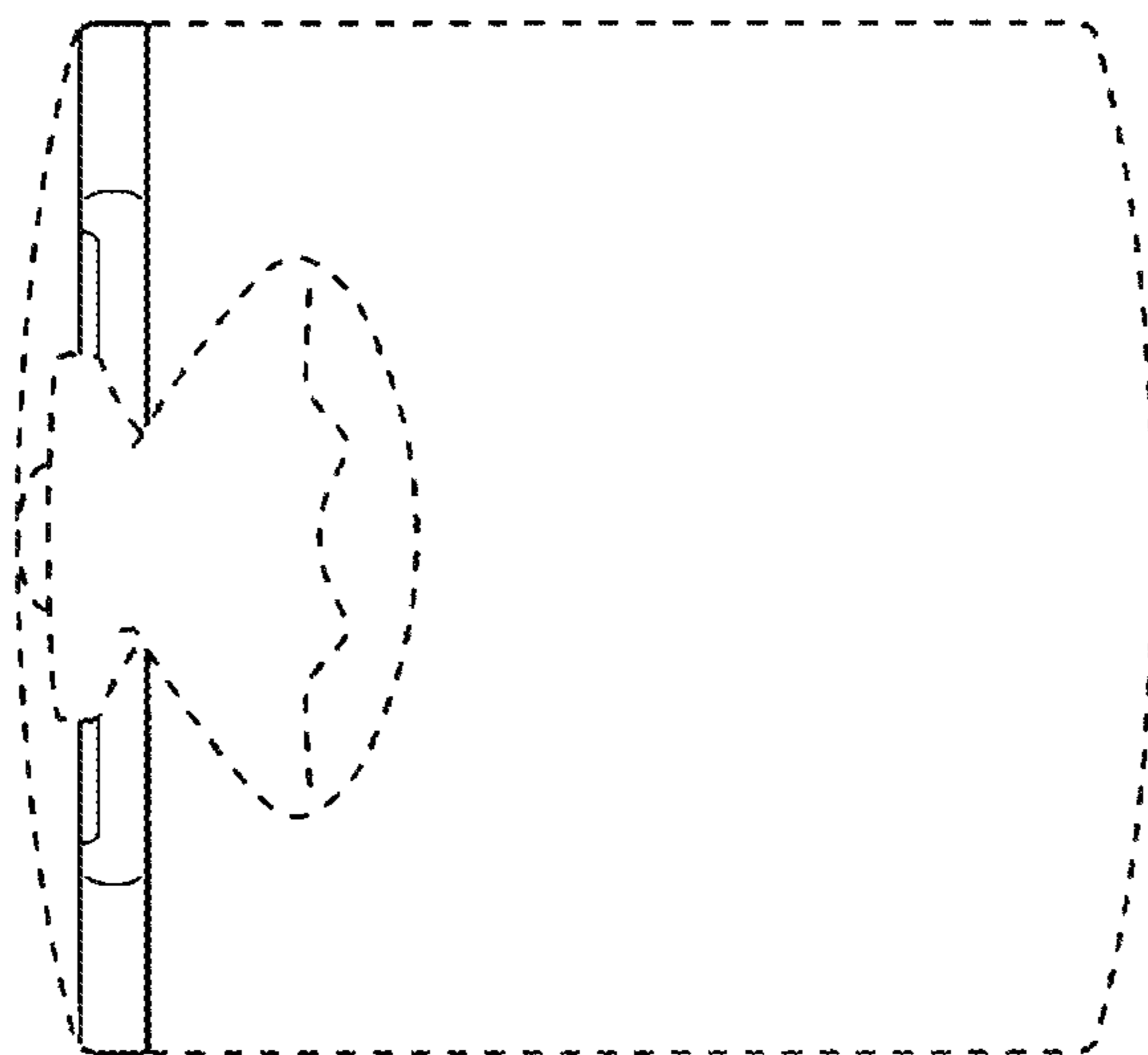


FIG. 2

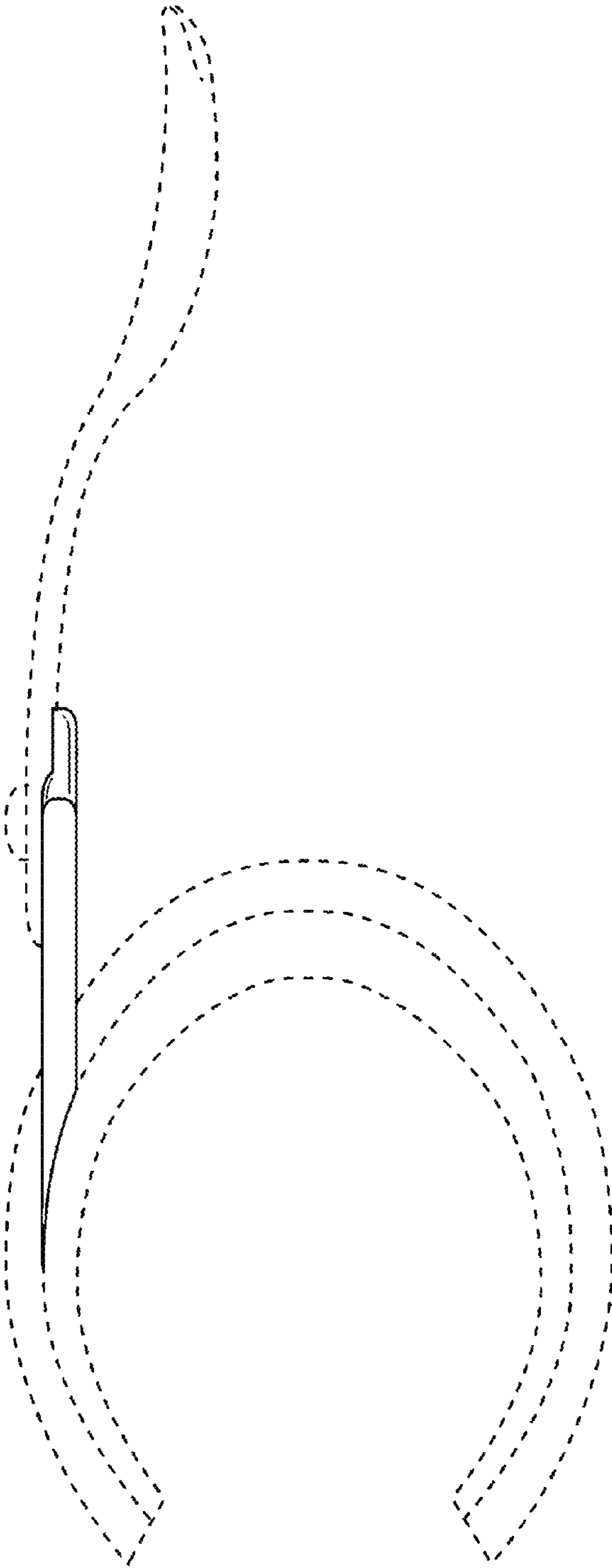


FIG. 4

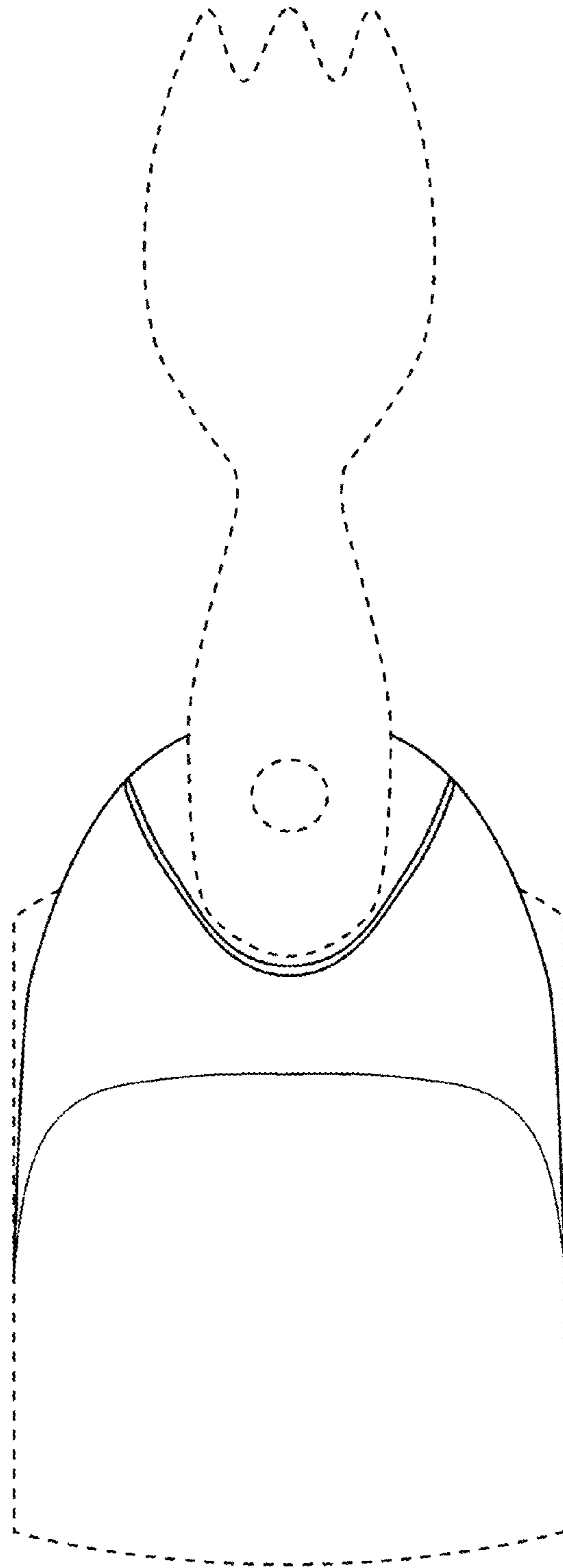


FIG. 5

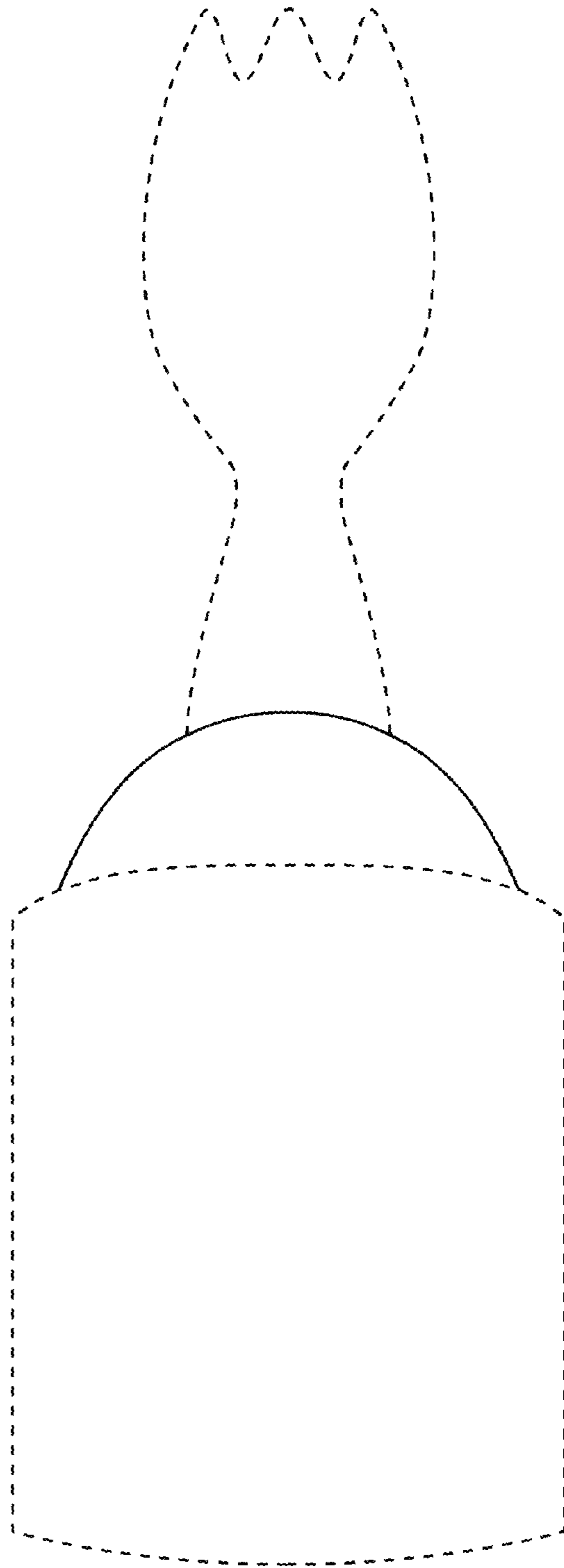


FIG. 6