



US00D754491S

(12) **United States Design Patent**
Goodman et al.

(10) **Patent No.:** **US D754,491 S**
(45) **Date of Patent:** **** Apr. 26, 2016**

(54) **SILVERWARE CADDY**

D591,565 S * 5/2009 Goodman D7/637
D628,858 S * 12/2010 Guindi D7/637
D630,476 S * 1/2011 Goodman D7/637

(71) Applicant: **Spectrum Diversified Designs, Inc.**,
Streetsboro, OH (US)

* cited by examiner

(72) Inventors: **Sheldon H. Goodman**, Solon, OH (US);
Phaysouk Xayoiphonh, Akron, OH
(US)

Primary Examiner — Terry Wallace

(74) *Attorney, Agent, or Firm* — Benesch Friedlander
Coplan & Aronoff LLP

(73) Assignee: **Spectrum Diversified Designs, LLC**,
Streetsboro, OH (US)

(**) Term: **14 Years**

(57) **CLAIM**

The ornamental design for a silverware caddy, as shown and described.

(21) Appl. No.: **29/494,889**

(22) Filed: **Jun. 25, 2014**

DESCRIPTION

(51) **LOC (10) Cl.** **07-06**

(52) **U.S. Cl.**

USPC **D7/640**

(58) **Field of Classification Search**

USPC D7/637-641, 619.1-625, 600.1-600.4;
D19/75, 77, 81, 84; D6/673, 675.2,
D6/675.5, 676.5, 677.5, 678.4, 680.3

CPC A47J 47/16; A47G 21/14; A47L 15/505

See application file for complete search history.

(56) **References Cited**

U.S. PATENT DOCUMENTS

4,836,392 A * 6/1989 Constantino A47L 15/505
211/133.5
D397,000 S * 8/1998 Goodman D7/637

FIG. 1 is a perspective view of a silverware caddy showing a new design;

FIG. 2 is a top view of the silverware caddy of FIG. 1;

FIG. 3 is a detail view of FIG. 2;

FIG. 4 is a front view of the silverware caddy of FIG. 1;

FIG. 5 is a side view of the silverware caddy of FIG. 1;

FIG. 6 is a bottom view of the silverware caddy of FIG. 1;

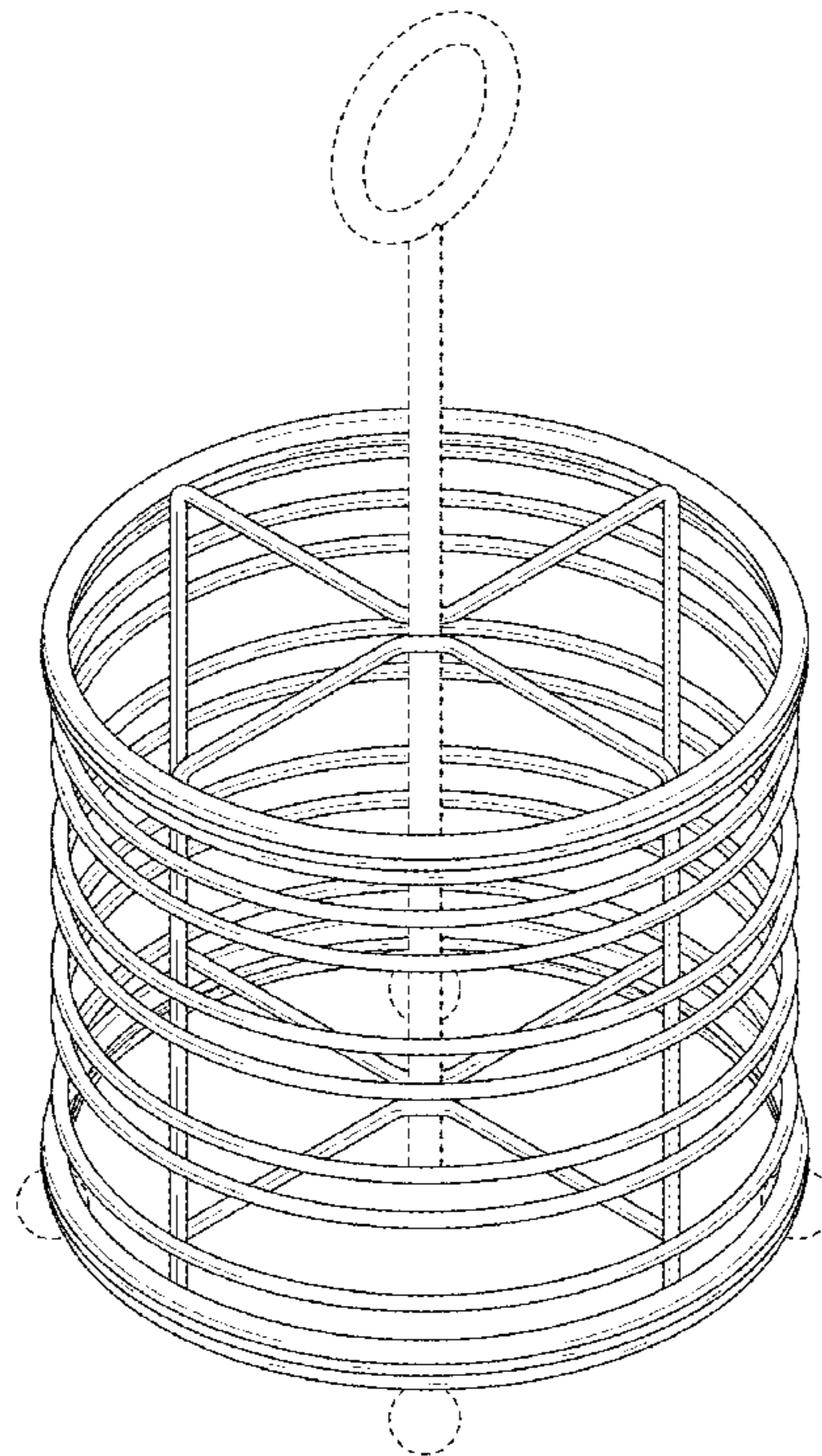
FIG. 7 is a cross-sectional view taken along line 7-7 of FIG. 5;

FIG. 8 is a perspective view of another embodiment of the silverware caddy of FIG. 1; and,

FIG. 9 is a cross-sectional view taken along line 9-9 of FIG. 8.

The components of the display shown in broken lines illustrate portions of the silverware caddy form no part of the claimed design.

1 Claim, 3 Drawing Sheets



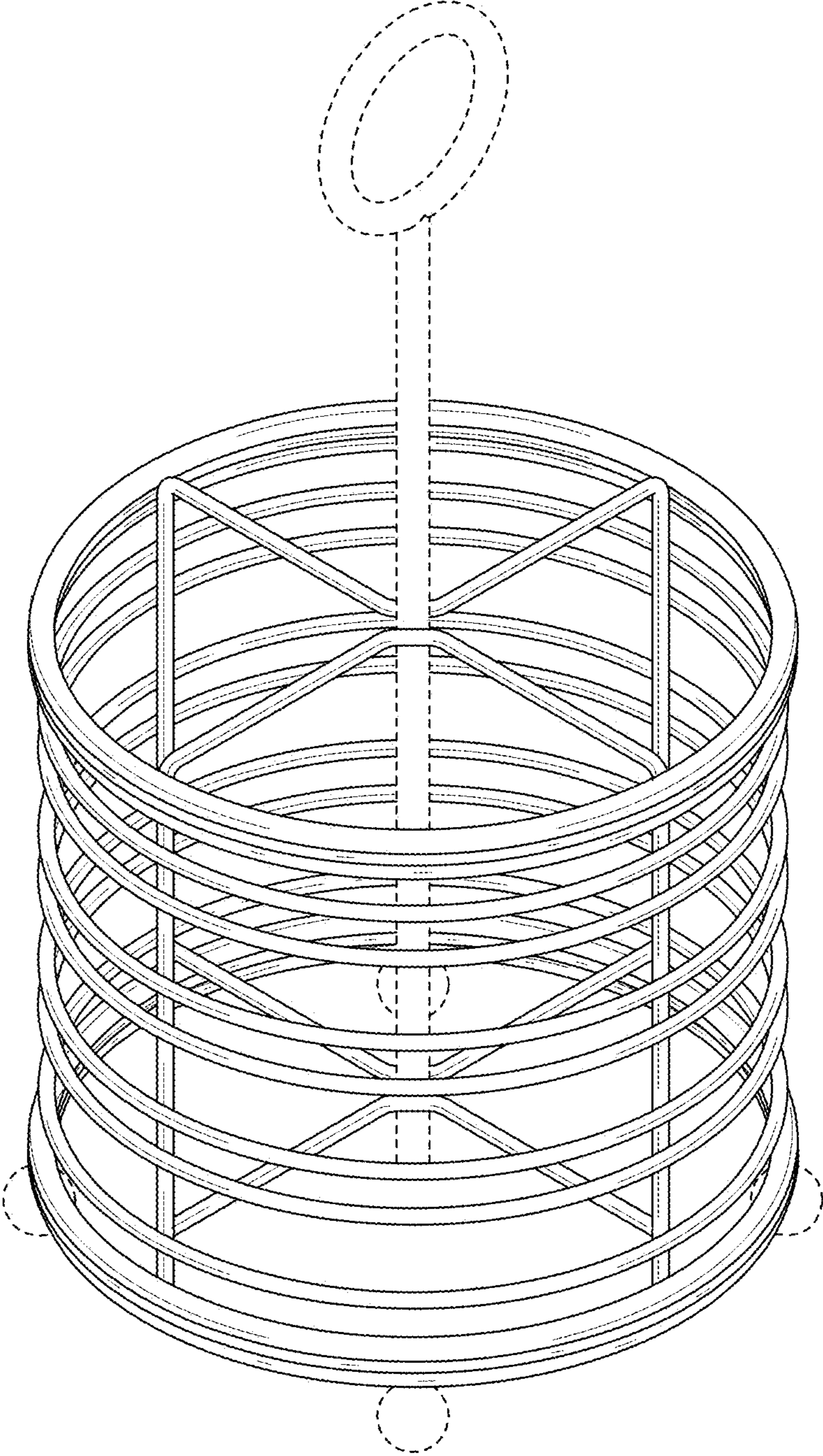


FIG. 1

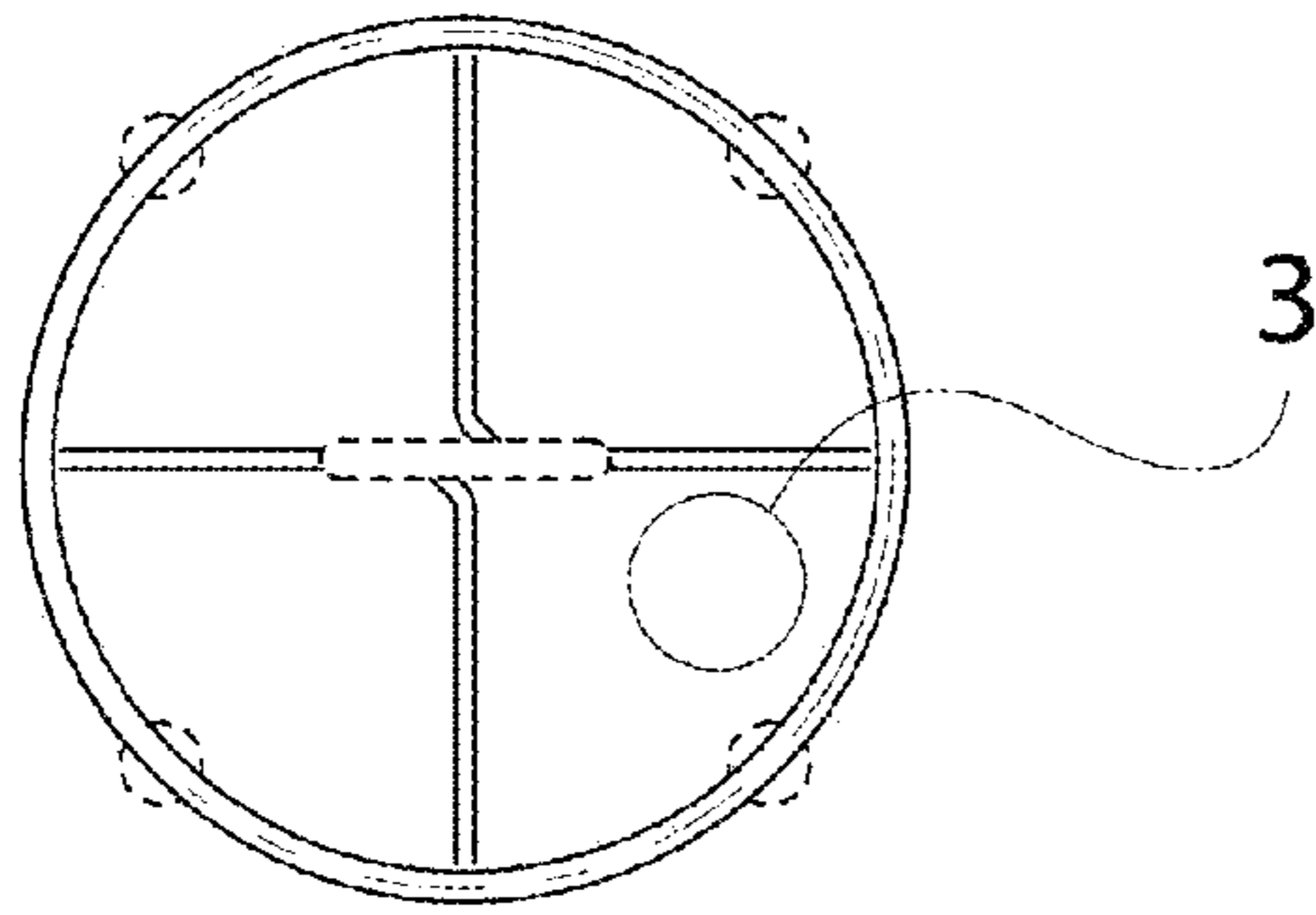


FIG. 2

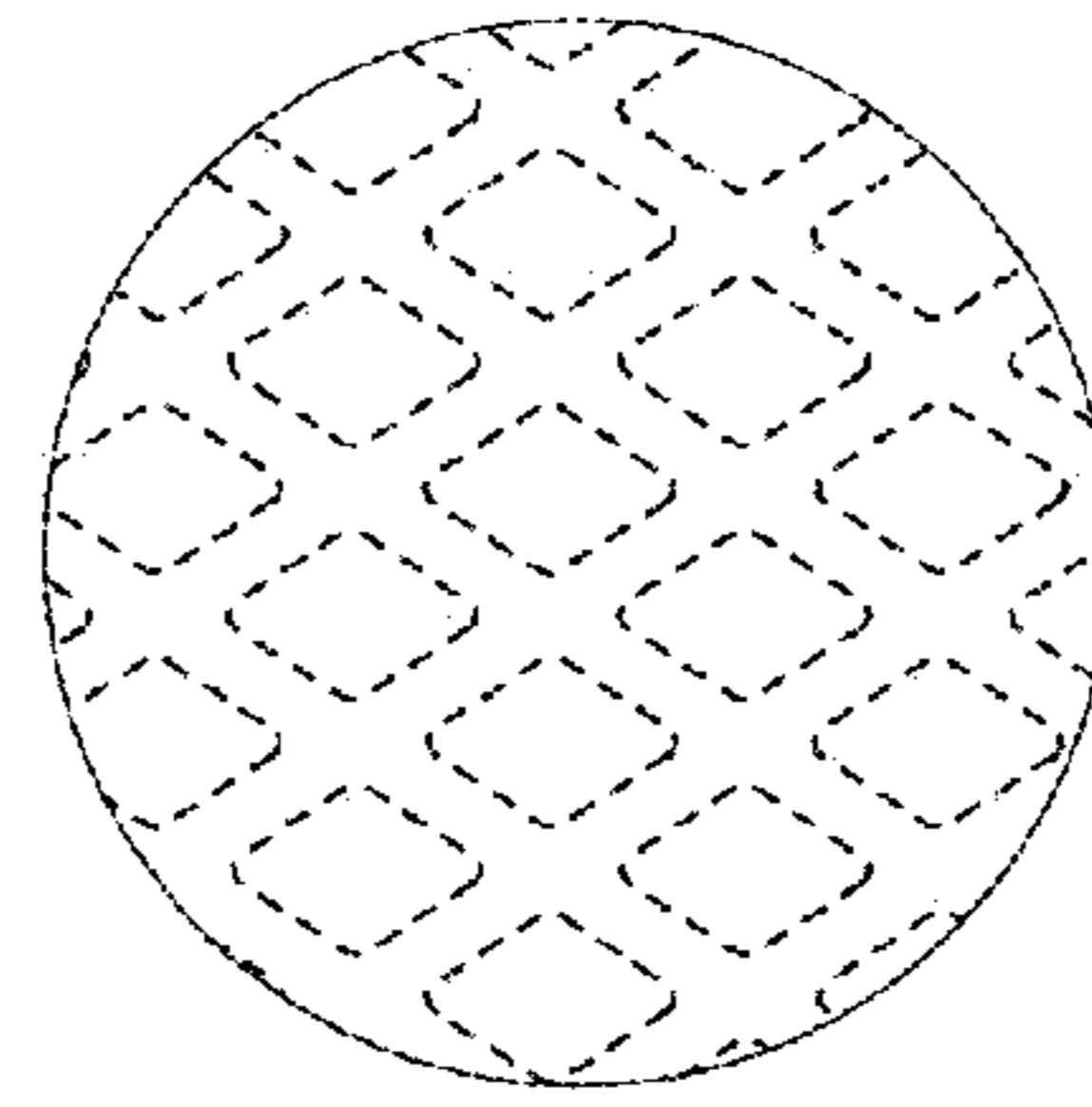


FIG. 3

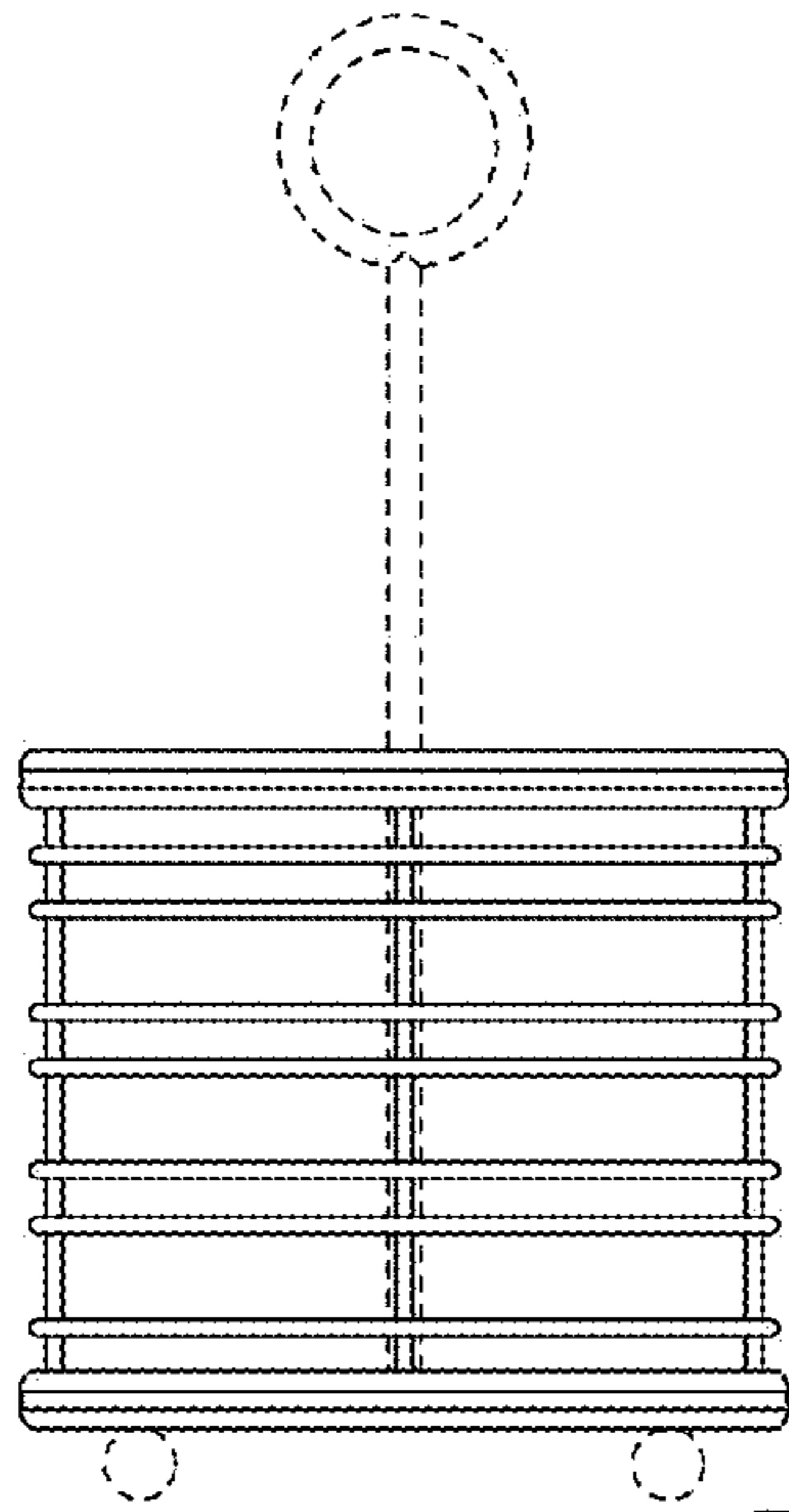


FIG. 4

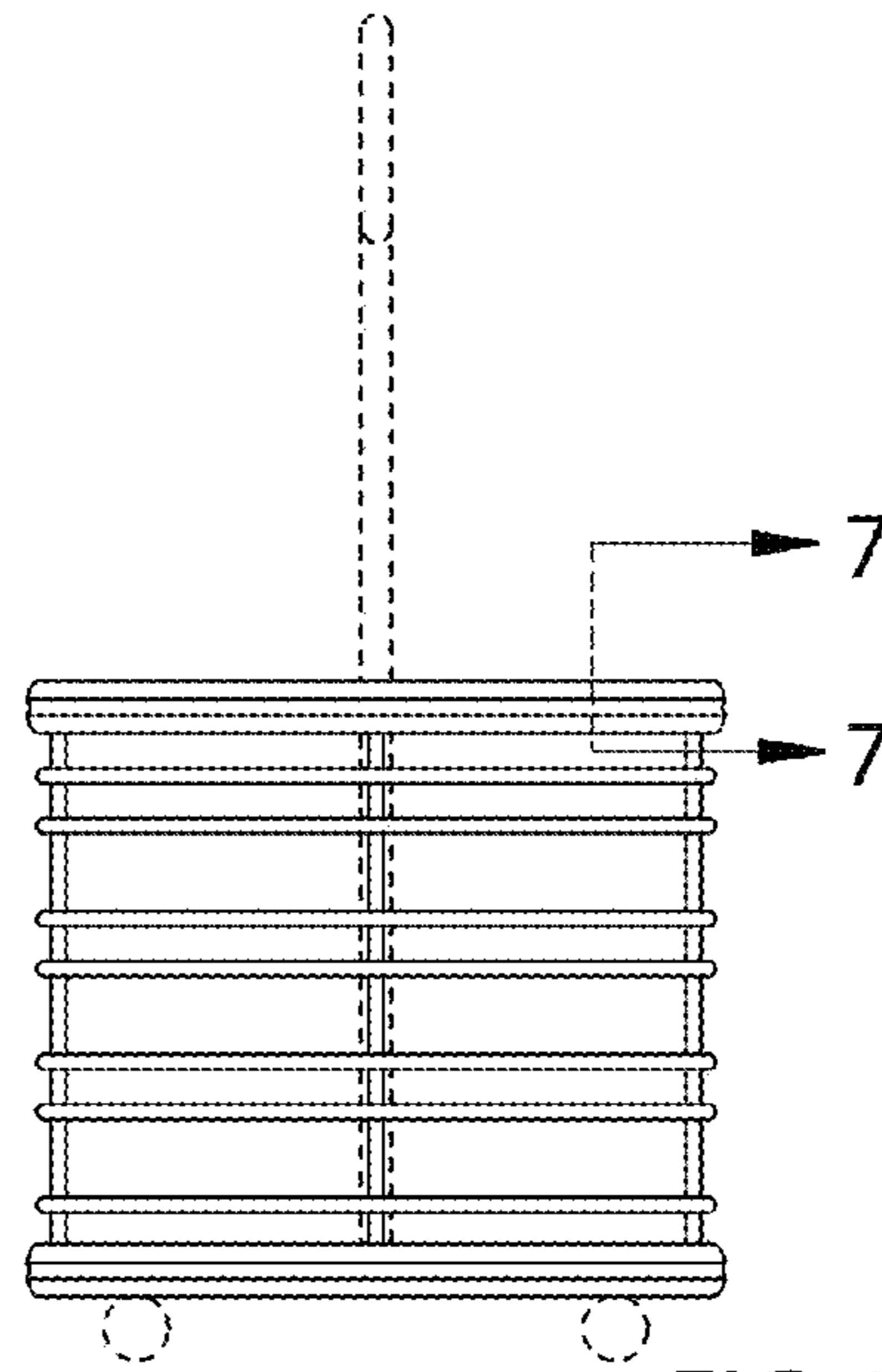


FIG. 5

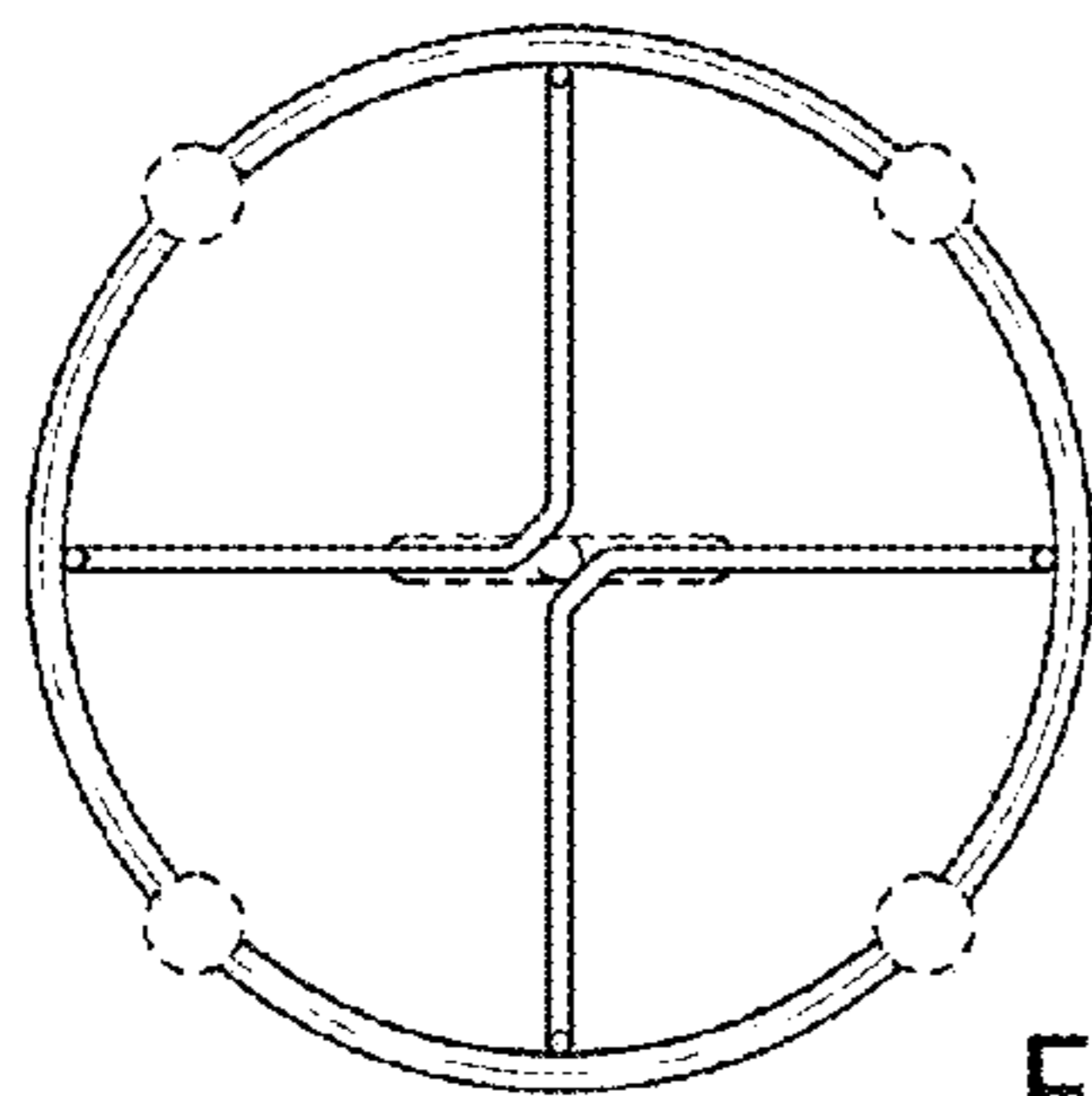


FIG. 6



FIG. 7

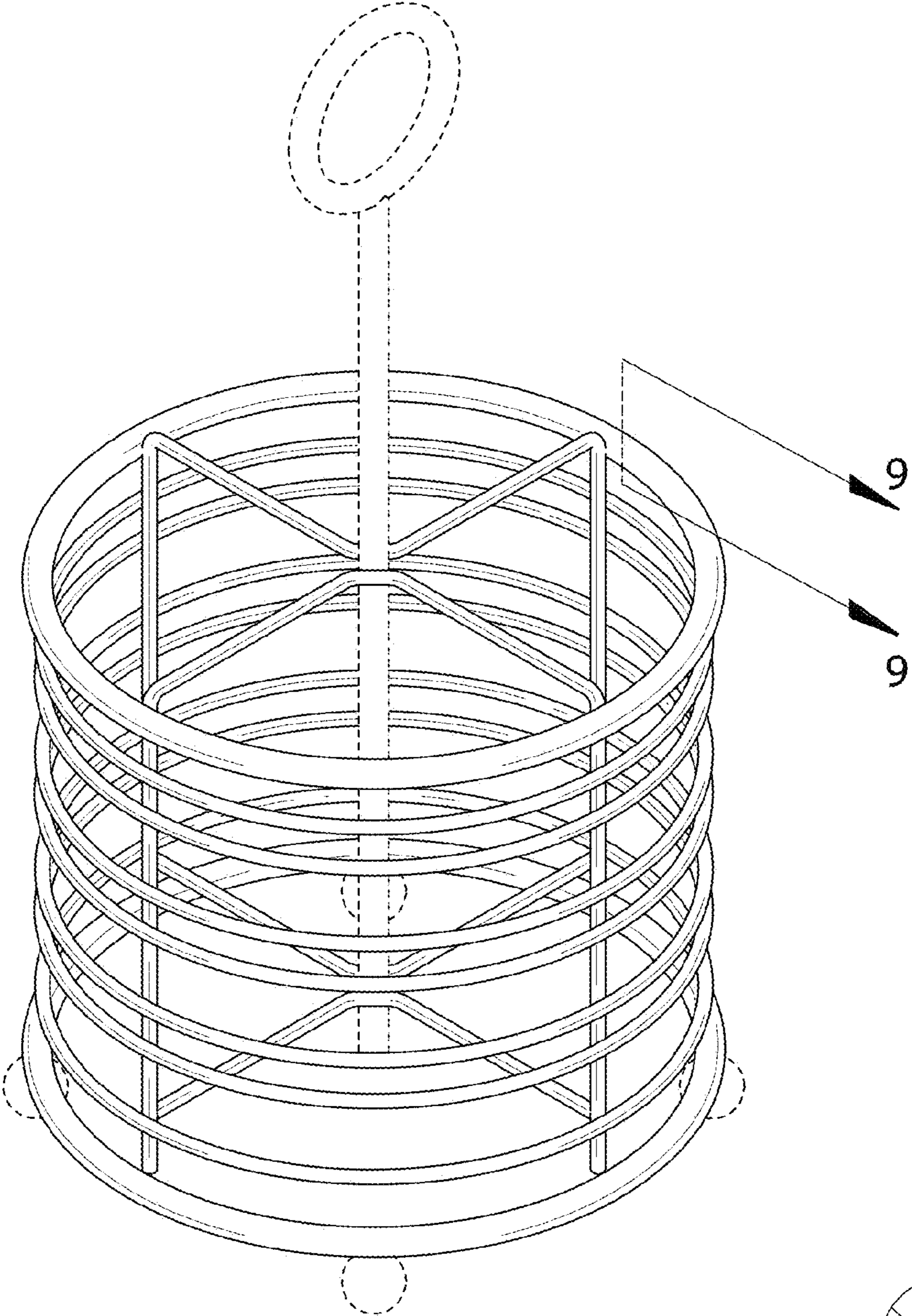


FIG. 8

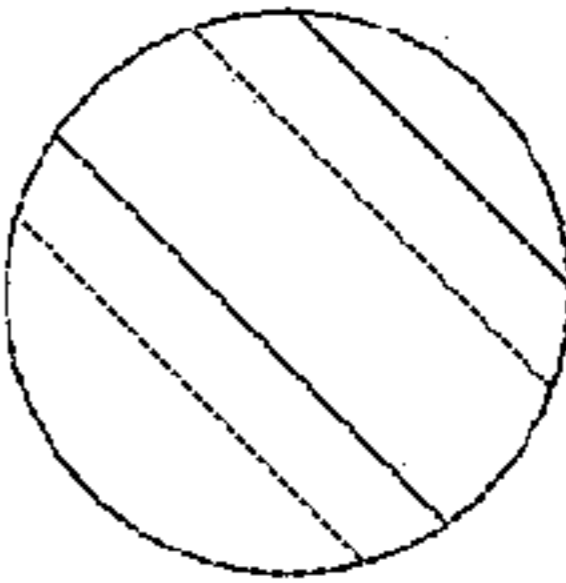


FIG. 9