

US00D754489S

(12) **United States Design Patent**
Smith

(10) **Patent No.:** **US D754,489 S**
(45) **Date of Patent:** **** Apr. 26, 2016**

- (54) **UTENSIL HOLDER**
- (71) Applicant: **John Scott Smith**, Nottingham, MD
(US)
- (72) Inventor: **John Scott Smith**, Nottingham, MD
(US)
- (**) Term: **14 Years**
- (21) Appl. No.: **29/474,425**
- (22) Filed: **Sep. 16, 2014**
- (51) **LOC (10) Cl.** **07-06**
- (52) **U.S. Cl.**
USPC **D7/637**
- (58) **Field of Classification Search**
USPC D7/637-641, 669, 683, 387; D8/72, 73;
D19/65
CPC A47G 21/14; A47J 43/287; A47J 36/34
See application file for complete search history.

- 2,900,151 A * 8/1959 Sims A47J 43/287
248/37.3
- 3,931,668 A * 1/1976 Hombach A47J 43/287
24/332
- 4,013,250 A * 3/1977 McGaffin A47J 43/287
248/37.3
- 8,833,704 B1 * 9/2014 Neighbors A47J 36/34
248/37.3

* cited by examiner

Primary Examiner — Terry Wallace
(74) *Attorney, Agent, or Firm* — Paul R. Martin

(57) **CLAIM**
The ornamental design for a utensil holder, as shown and described.

DESCRIPTION

FIG. 1 is a perspective view of the utensil holder of my new design showing it attached to the edge of a pot, and holding a whisk.

FIG. 2. Is a front elevational view of the utensil holder of my new design.

FIG. 3 is a back elevational view of the utensil holder shown in FIG. 2.

FIG. 4 is a top plan view thereof.

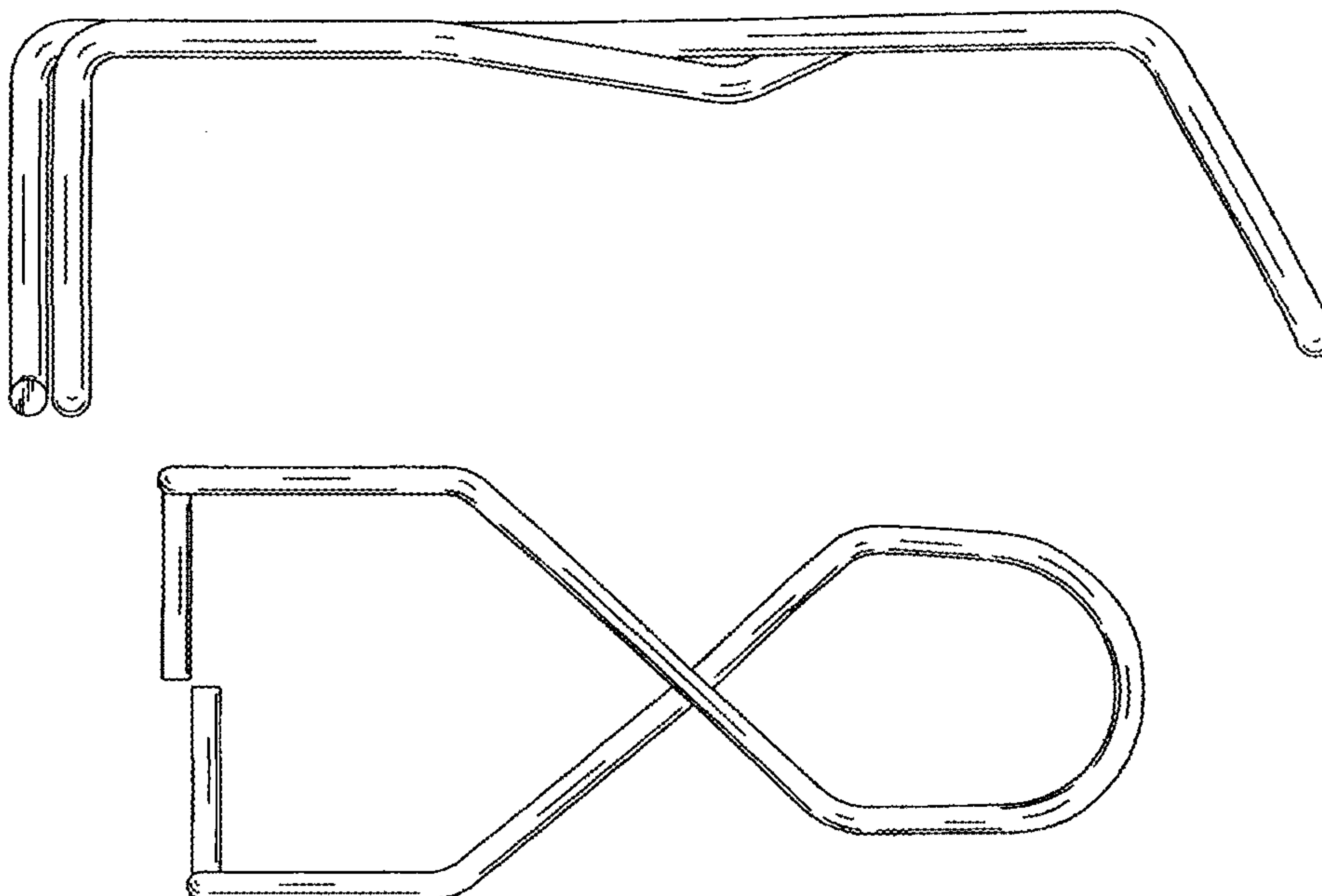
FIG. 5 is a bottom plan view thereof.

FIG. 6 is an elevational view of the right side thereof; and, FIG. 7 is an elevational view of the left side thereof.

The broken line figures in FIG. 1, showing the utensil holder of my new design attached to the upper edge of a pot, with a whisk contained therein, represent environmental elements, and form no part of my new design.

1 Claim, 4 Drawing Sheets

- (56) **References Cited**
U.S. PATENT DOCUMENTS
- 799,612 A * 9/1905 Moore A47G 21/14
248/37.3
- 975,858 A * 11/1910 Guy A47G 21/14
248/229.16
- 1,182,732 A * 5/1916 Avery A47J 43/287
248/229.26
- 2,298,901 A * 10/1942 Pickering A47G 21/145
248/37.6
- 2,605,624 A * 8/1952 Halladay A47J 43/287
131/240.1
- 2,742,771 A * 4/1956 Negaard A47J 43/287
248/37.6



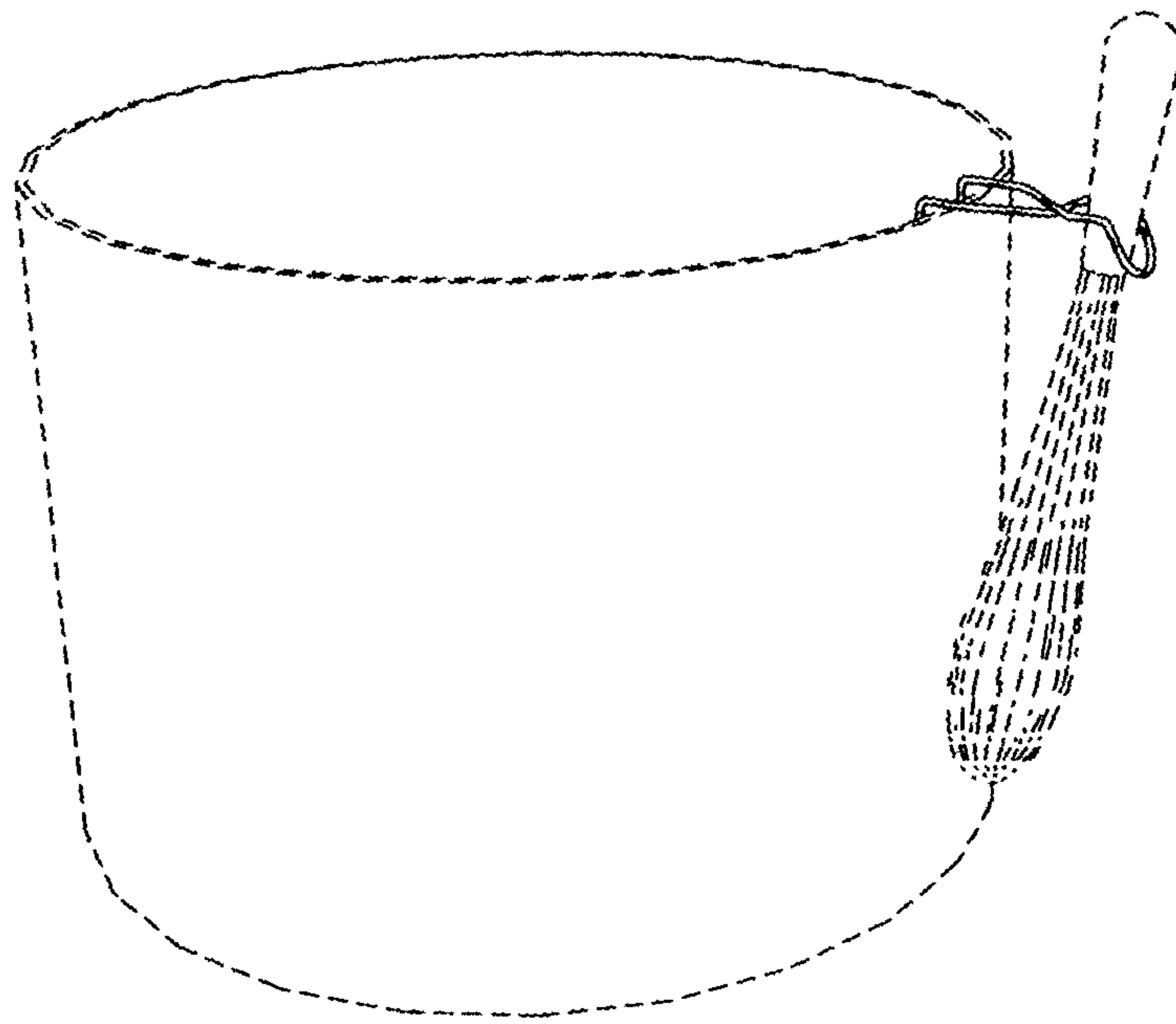


FIG. 1

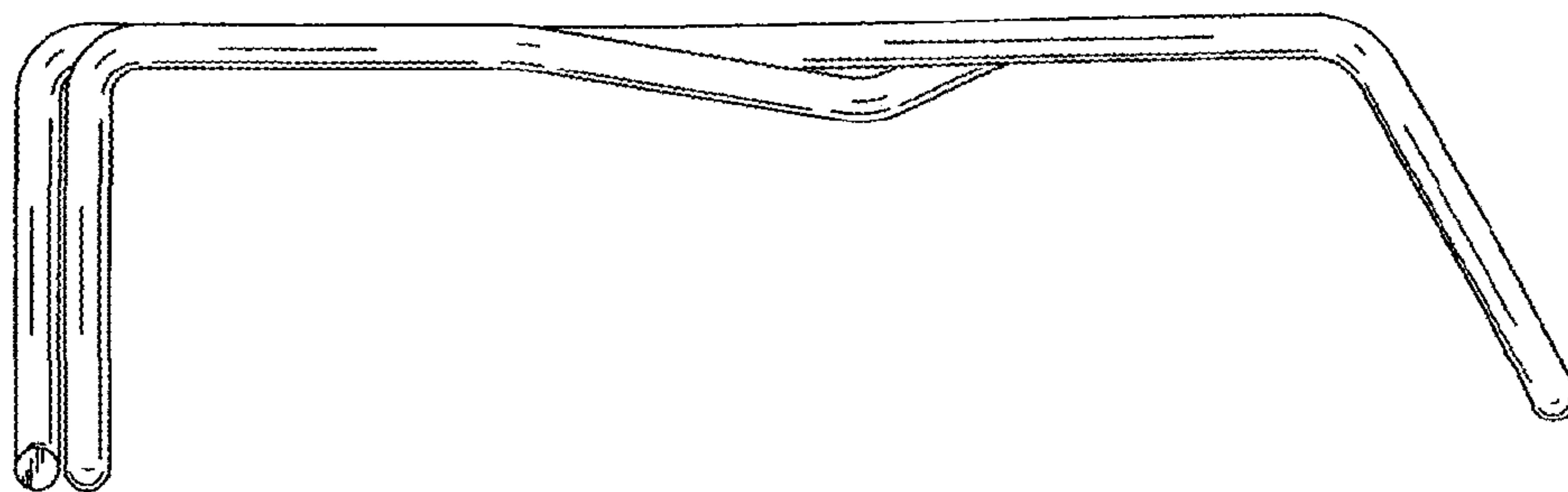


FIG. 2

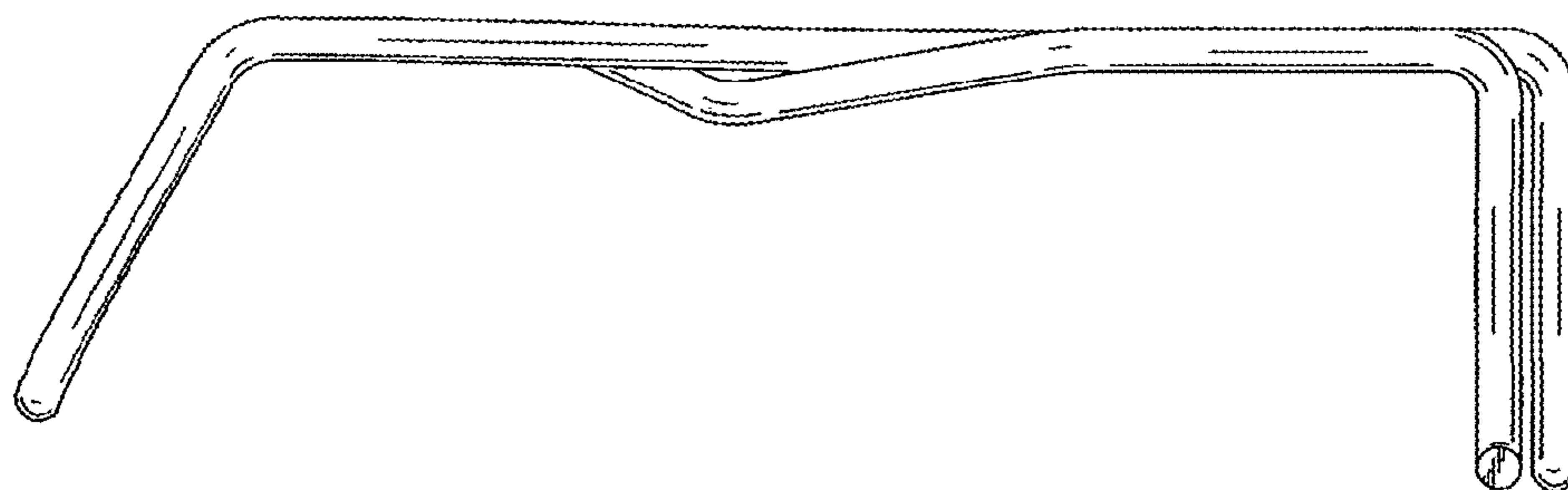


FIG. 3

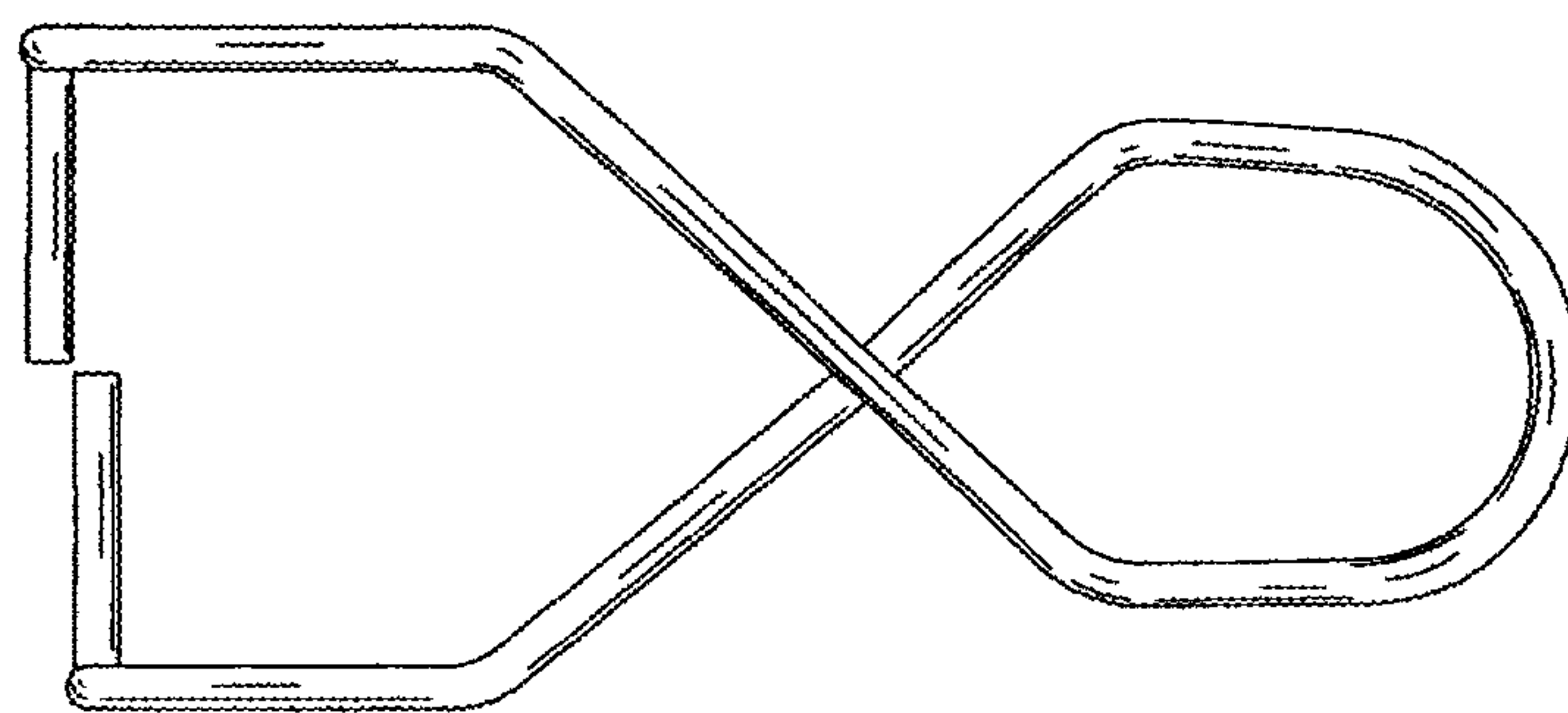


FIG. 4

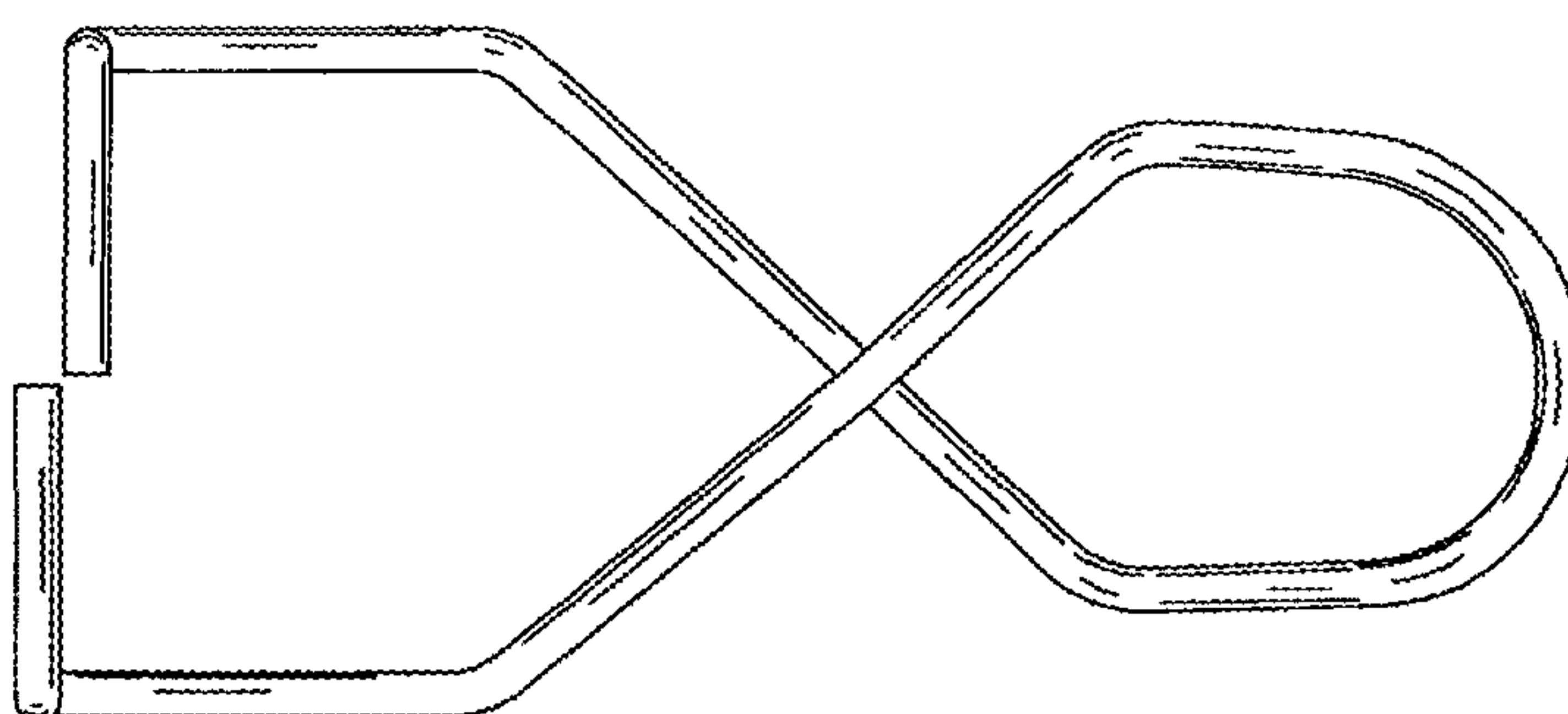


FIG. 5

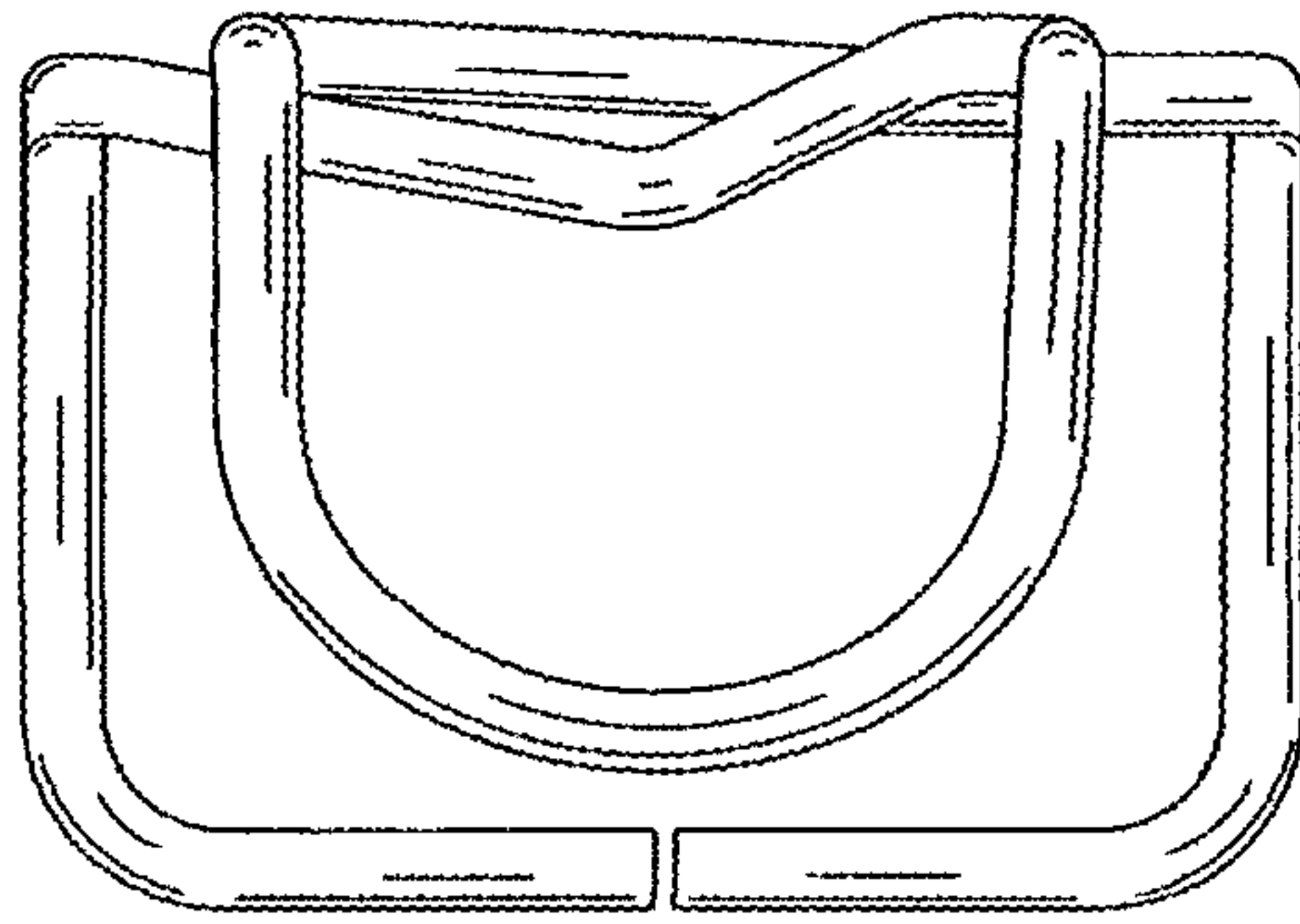


FIG. 6

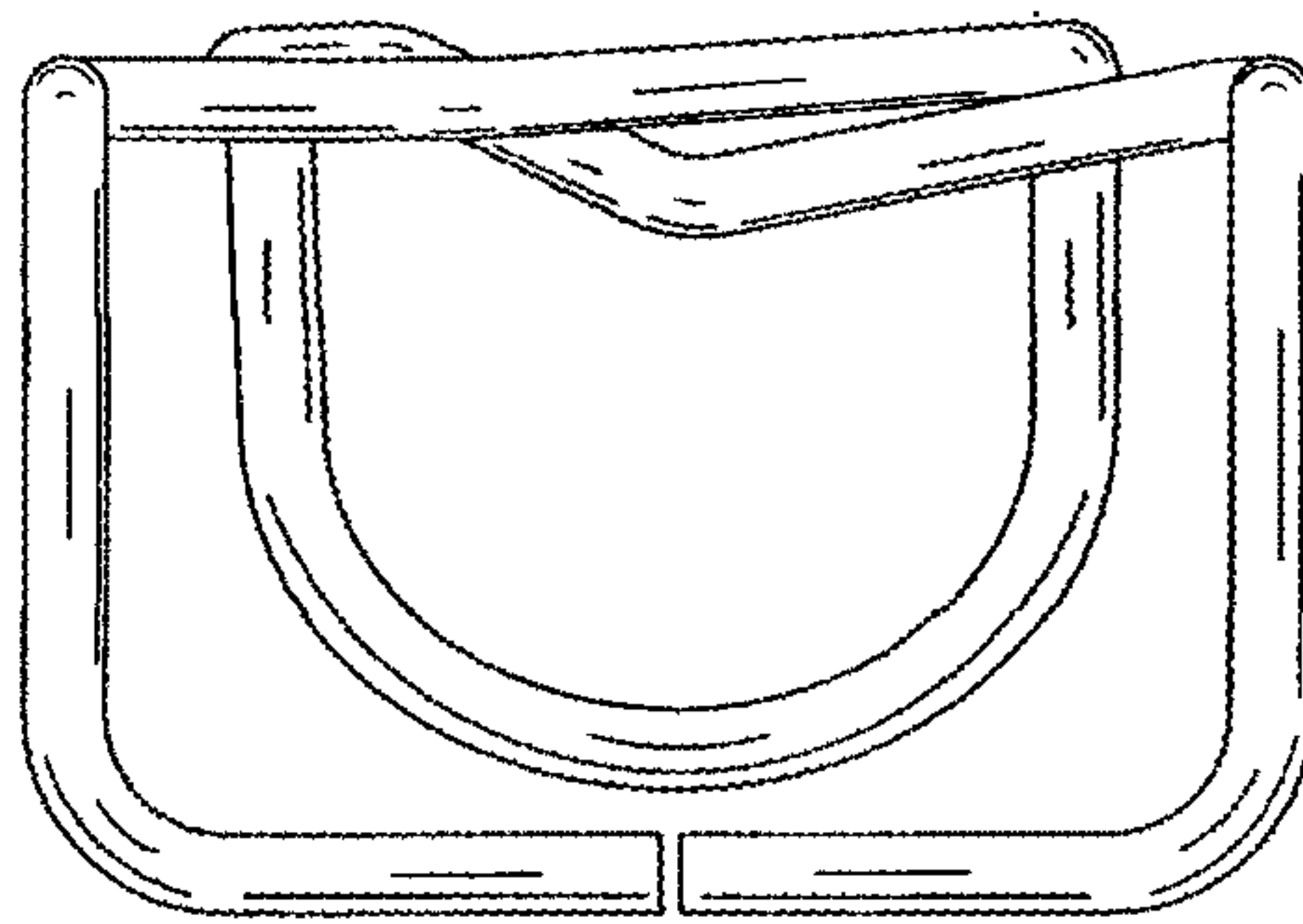


FIG. 7