



US00D754488S

(12) **United States Design Patent**
Gascoine

(10) **Patent No.:** **US D754,488 S**
(45) **Date of Patent:** **** Apr. 26, 2016**

- (54) **SMALL POWDER DISPENSER**
- (71) Applicant: **Source Designs Ltd.**, Miami, FL (US)
- (72) Inventor: **Jonathon Derek Gascoine**, Sydney (AU)
- (**) Term: **14 Years**
- (21) Appl. No.: **29/500,941**
- (22) Filed: **Aug. 29, 2014**

Related U.S. Application Data

- (63) Continuation-in-part of application No. 29/500,520, filed on Aug. 26, 2014.
- (51) **LOC (10) Cl.** **07-01**
- (52) **U.S. Cl.**
USPC **D7/629**
- (58) **Field of Classification Search**
USPC D7/629, 700, 400, 589, 368, 667, 669, D7/691, 590, 591, 597, 300, 300.1; D15/150, 152; D23/200; D24/122; D12/197; D9/434-436, 428, 429, 500, D9/454, 715, 716
CPC B67C 11/00; B67C 11/02; B67C 11/063; B67C 3/34; B67J 7/565; B65D 83/06
See application file for complete search history.

D415,552 S *	10/1999	Malorni	D23/200
D426,283 S *	6/2000	Hernandez, Jr.	D23/200
D430,798 S *	9/2000	Stevens	D9/520
D432,915 S *	10/2000	Smith	D9/436
6,425,424 B1 *	7/2002	Ellis Calvo	B65B 39/00 141/331
D473,788 S *	4/2003	Chen	D9/425
D576,848 S *	9/2008	Williams	D7/700
D635,398 S *	4/2011	Watabe	D7/400
D642,869 S *	8/2011	Webster	D7/589
D652,292 S *	1/2012	Riales	D9/429
D657,637 S *	4/2012	Gascoine	D7/700
D658,922 S *	5/2012	Fallon	D7/300
D670,141 S *	11/2012	Cetera	D7/691
D670,142 S *	11/2012	Cetera	D7/691
D670,143 S *	11/2012	Cetera	D7/691
D677,132 S *	3/2013	Cetera	D7/691
D697,797 S *	1/2014	Hansen	D9/429
D706,625 S *	6/2014	Key	D9/429
D708,919 S *	7/2014	Lin	D7/700
D727,671 S *	4/2015	Gamelli	D7/300.1
D738,169 S *	9/2015	Weisenbach	D7/700
2013/0313291 A1 *	11/2013	Gascoine	B65D 1/0223 222/460

* cited by examiner

Primary Examiner — George D Kirschbaum
Assistant Examiner — Clese Moore, Jr.

(57) **CLAIM**
The ornamental design for a small powder dispenser, as shown and described.

(56) **References Cited**

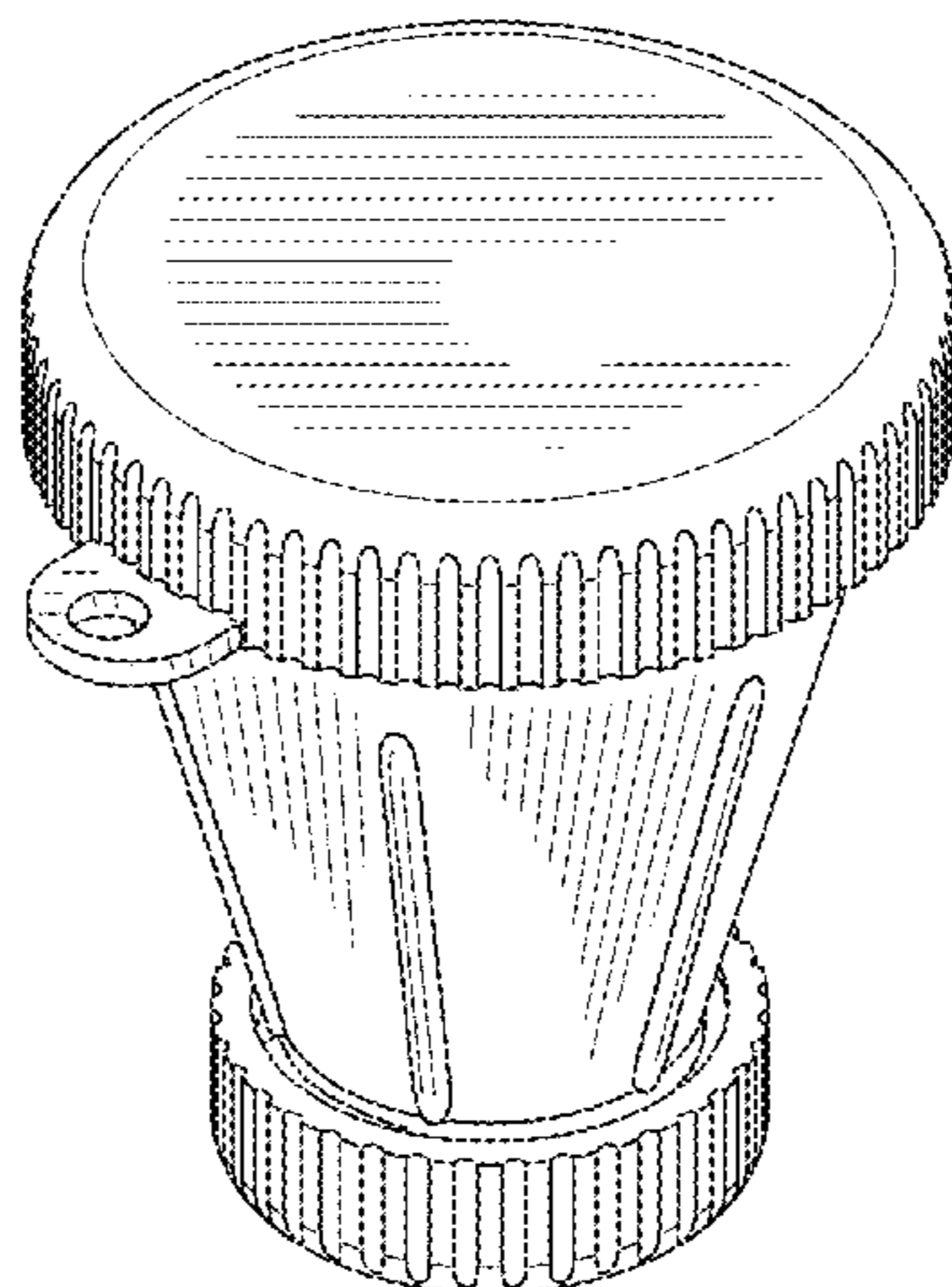
U.S. PATENT DOCUMENTS

D266,400 S *	10/1982	Shatz	D15/152
D269,425 S *	6/1983	Whitaker, Jr.	D12/197
D309,241 S *	7/1990	Ayyoubi	D23/200
D341,147 S *	11/1993	Pollak	141/331
D341,148 S *	11/1993	Pollak	D15/150
5,259,426 A *	11/1993	Burleigh	B25B 27/0042 141/331
5,535,793 A *	7/1996	Tantre	F01M 11/04 141/331
D389,741 S *	1/1998	Barrie, II	D9/429

DESCRIPTION

FIG. 1 is a perspective front view of a small powder dispenser; FIG. 2 is a front elevation view thereof; FIG. 3 is a rear elevation view thereof; FIG. 4 is a left side elevation view thereof; the right side view being a mirror image thereof; FIG. 5 is a top plan view thereof; FIG. 6 is a bottom plan view thereof; and, FIG. 7 is an exploded perspective front view thereof.

1 Claim, 3 Drawing Sheets



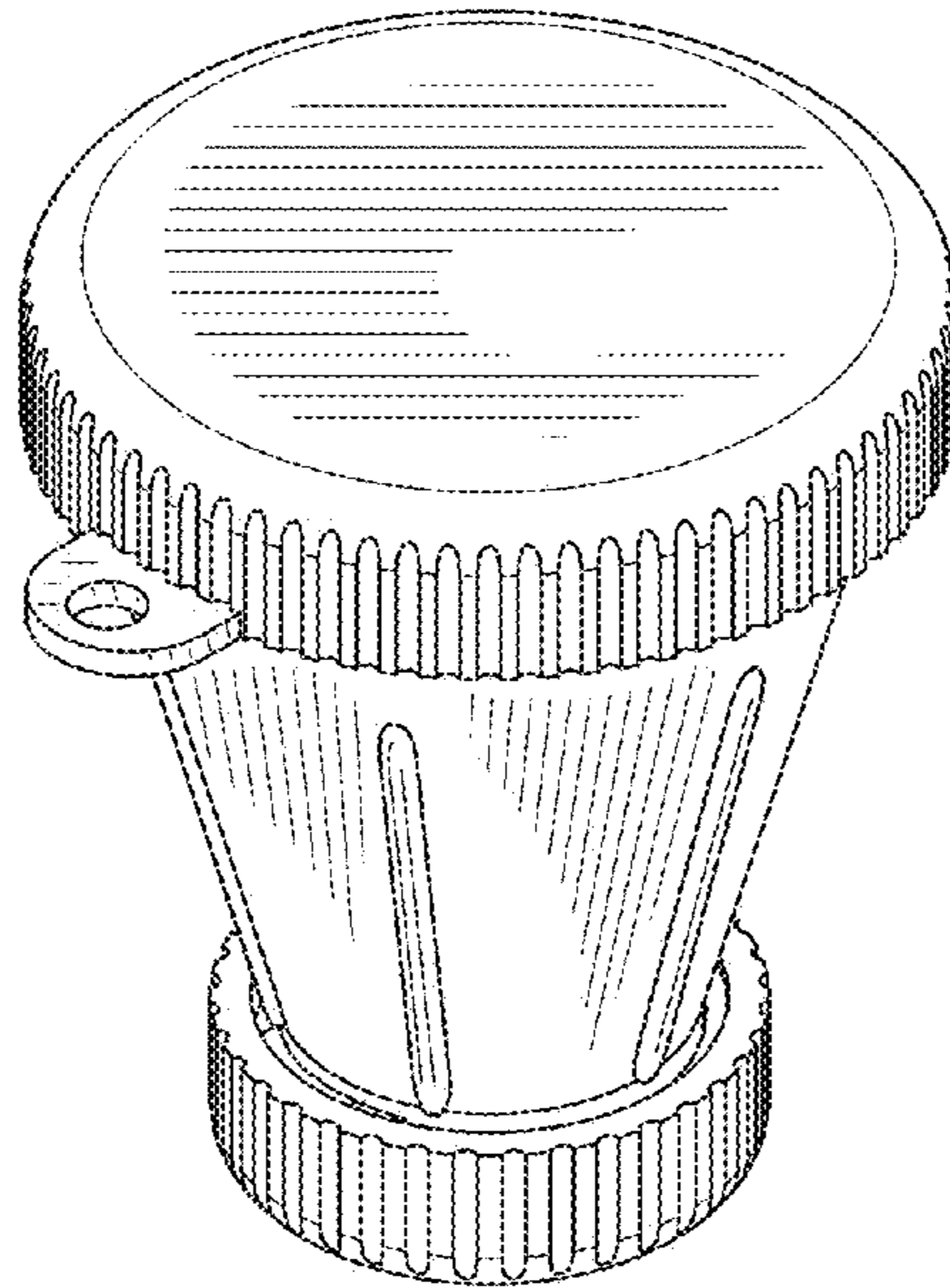


FIG. 1

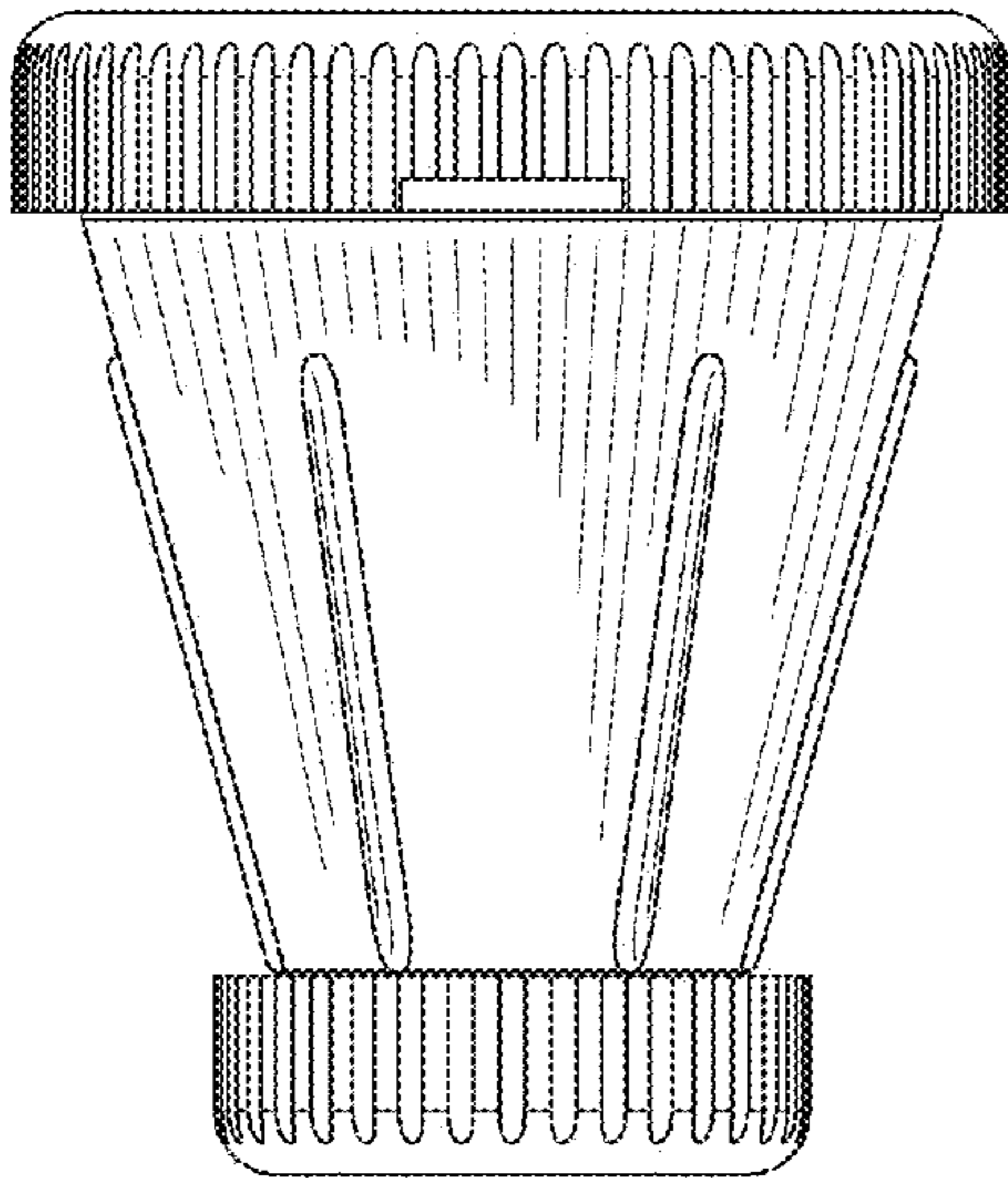


FIG. 2

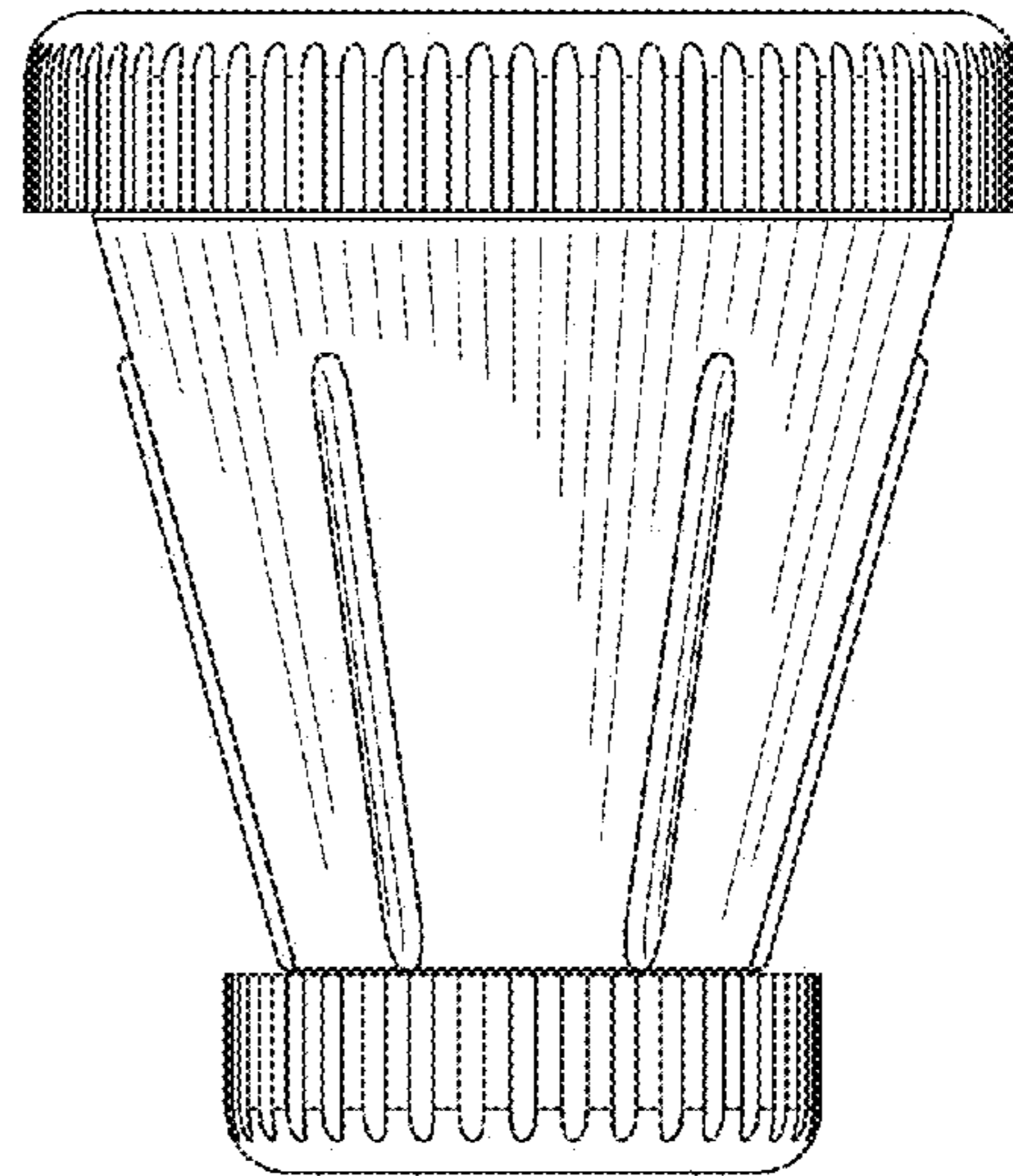


FIG. 3

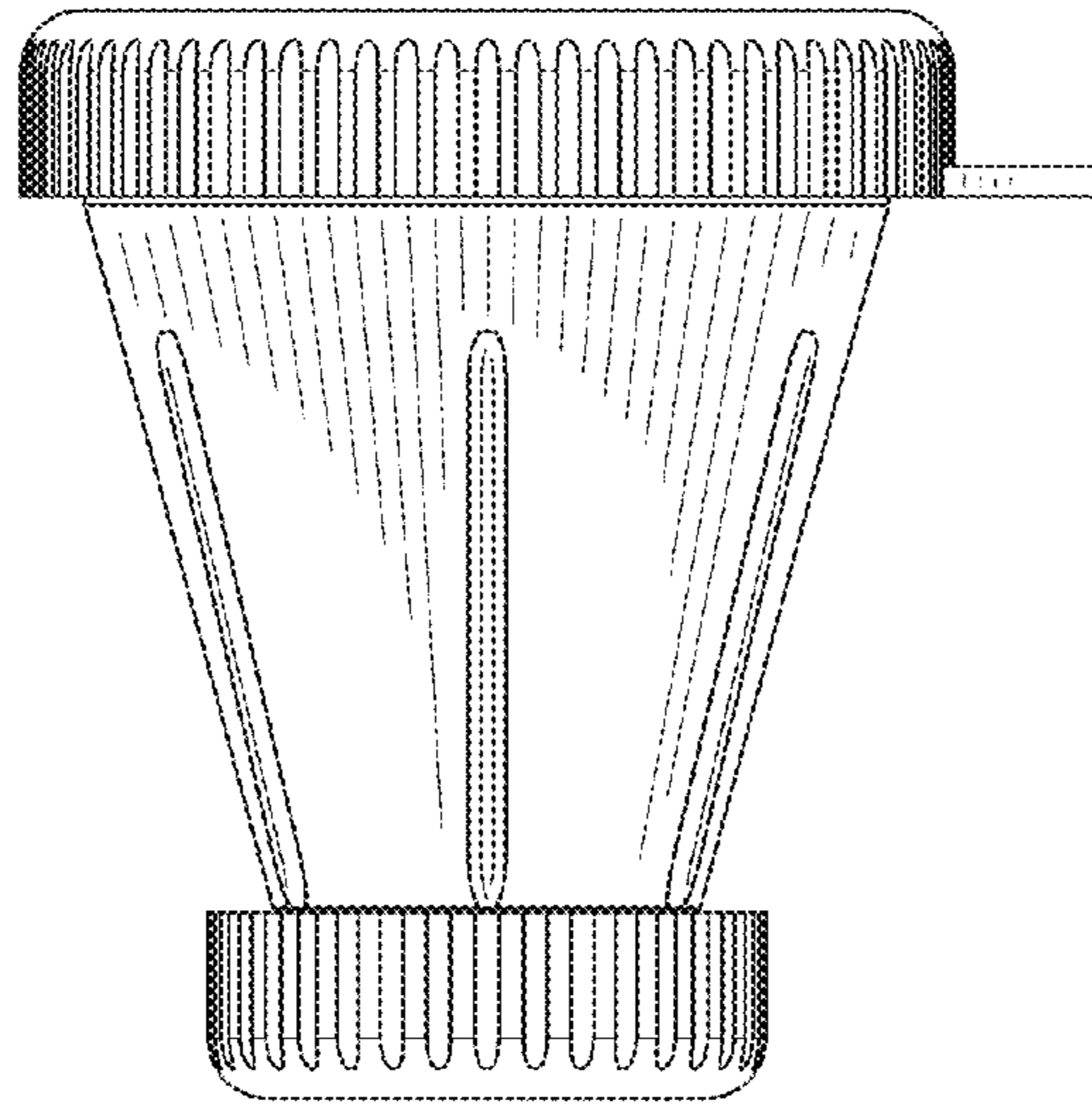


FIG. 4

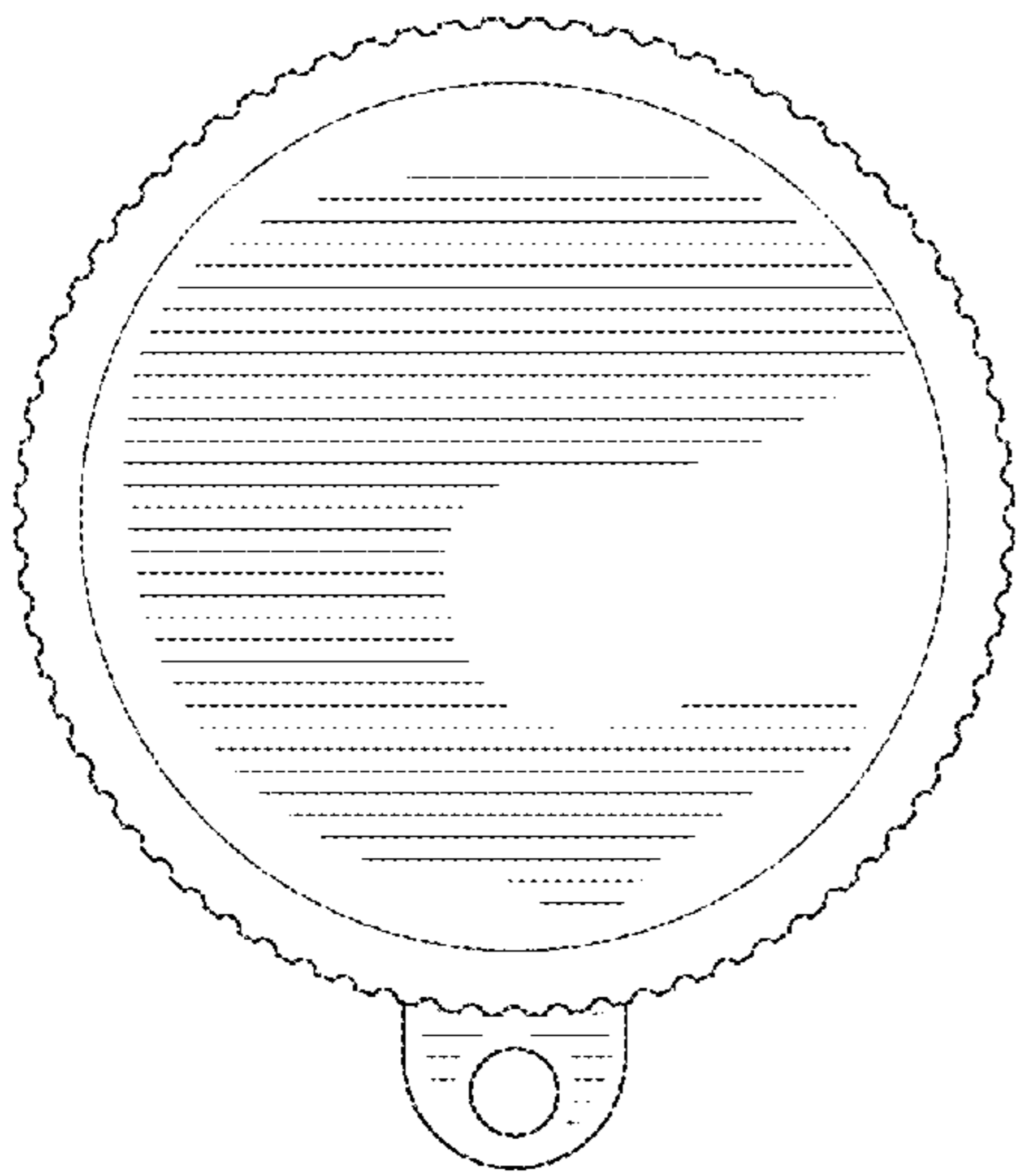


FIG. 5

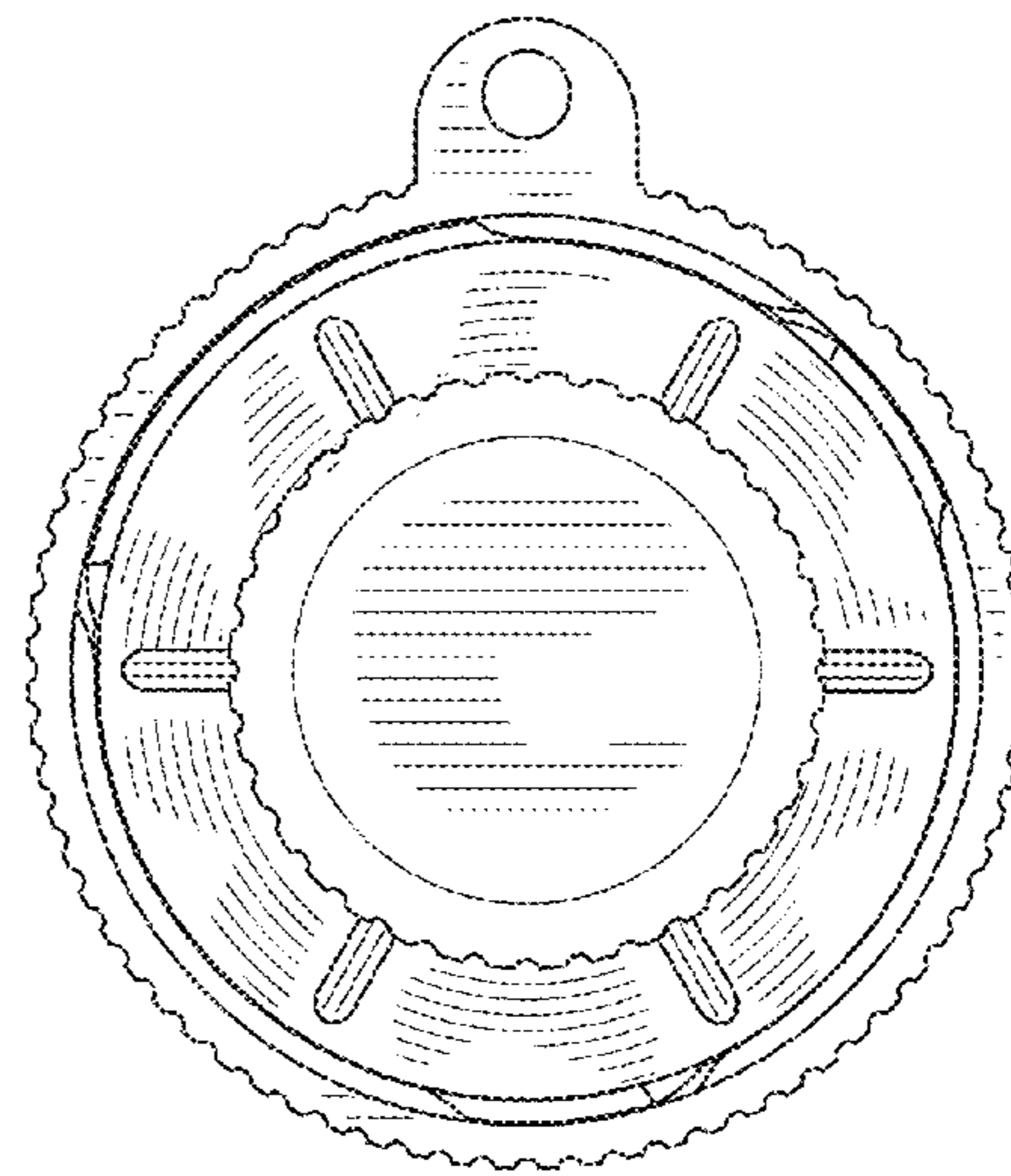


FIG. 6

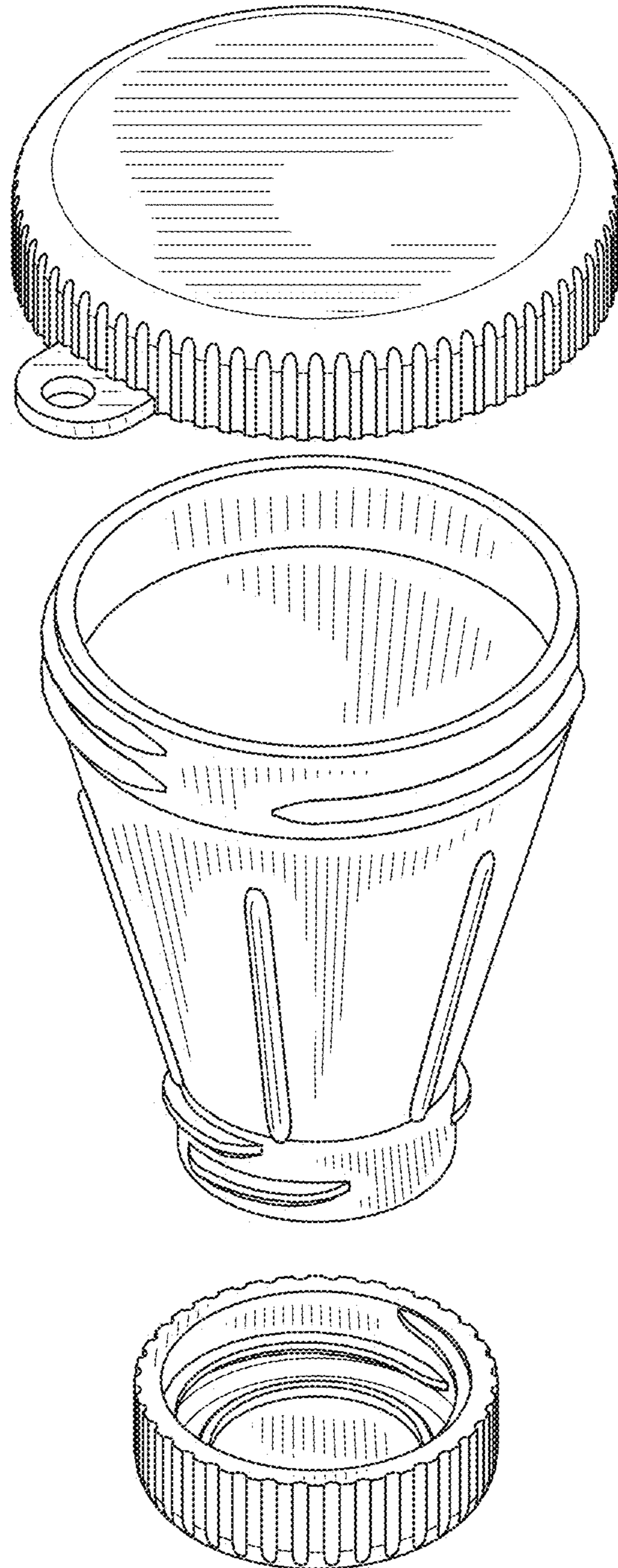


FIG. 7