



US00D754483S

(12) **United States Design Patent**  
**Elsaden et al.**

(10) **Patent No.:** **US D754,483 S**  
(45) **Date of Patent:** **\*\* Apr. 26, 2016**

(54) **BEVERAGE CONTAINER**

6,379,032 B1 4/2002 Sorensen  
D478,241 S 8/2003 Heilstedt et al.  
D483,613 S \* 12/2003 Gluck ..... D7/509  
D485,727 S 1/2004 Heilstedt et al.

(71) Applicant: **Ignite USA, LLC**, Chicago, IL (US)

(72) Inventors: **Sami Elsaden**, Winnetka, IL (US); **Paul Hurley**, Libertyville, IL (US); **Bryan Washburn**, Buffalo Grove, IL (US); **Blair Miller**, Chicago, IL (US)

(Continued)

**OTHER PUBLICATIONS**

<http://matefit.me/collections/all/shaker-bottles> Available Mar. 12, 2015.\*

(73) Assignee: **IGNITE USA, LLC**, Chicago, IL (US)

(Continued)

(\*\*) Term: **14 Years**

*Primary Examiner* — Susan Hattan

(21) Appl. No.: **29/513,508**

*Assistant Examiner* — Leanne Was

(22) Filed: **Dec. 31, 2014**

(74) *Attorney, Agent, or Firm* — Marshall, Gerstein & Borun LLP

**Related U.S. Application Data**

(62) Division of application No. 29/479,991, filed on Jan. 22, 2014, now Pat. No. Des. 730,694.

(51) **LOC (10) Cl.** ..... **07-01**

(52) **U.S. Cl.**

USPC ..... **D7/531**

(58) **Field of Classification Search**

USPC ..... D7/300, 300.1, 305, 321, 322, 396.1, D7/396.2, 397, 398, 505, 507, 509, 510, D7/511, 531, 538, 543, 566, 570, 584, 591, D7/597, 619.1, 630; D9/417, 430, 516, D9/523–525, 530, 541, 715, 716, 719, D9/738; 215/382, 383, 384; 220/669, 675  
CPC ..... B65D 47/06

See application file for complete search history.

(56) **References Cited**

**U.S. PATENT DOCUMENTS**

3,820,692 A 6/1974 Swett et al.  
D233,116 S 10/1974 Swett et al.  
5,590,542 A 1/1997 Wang  
D449,762 S 10/2001 Jacober et al.  
D454,754 S 3/2002 Jacober et al.

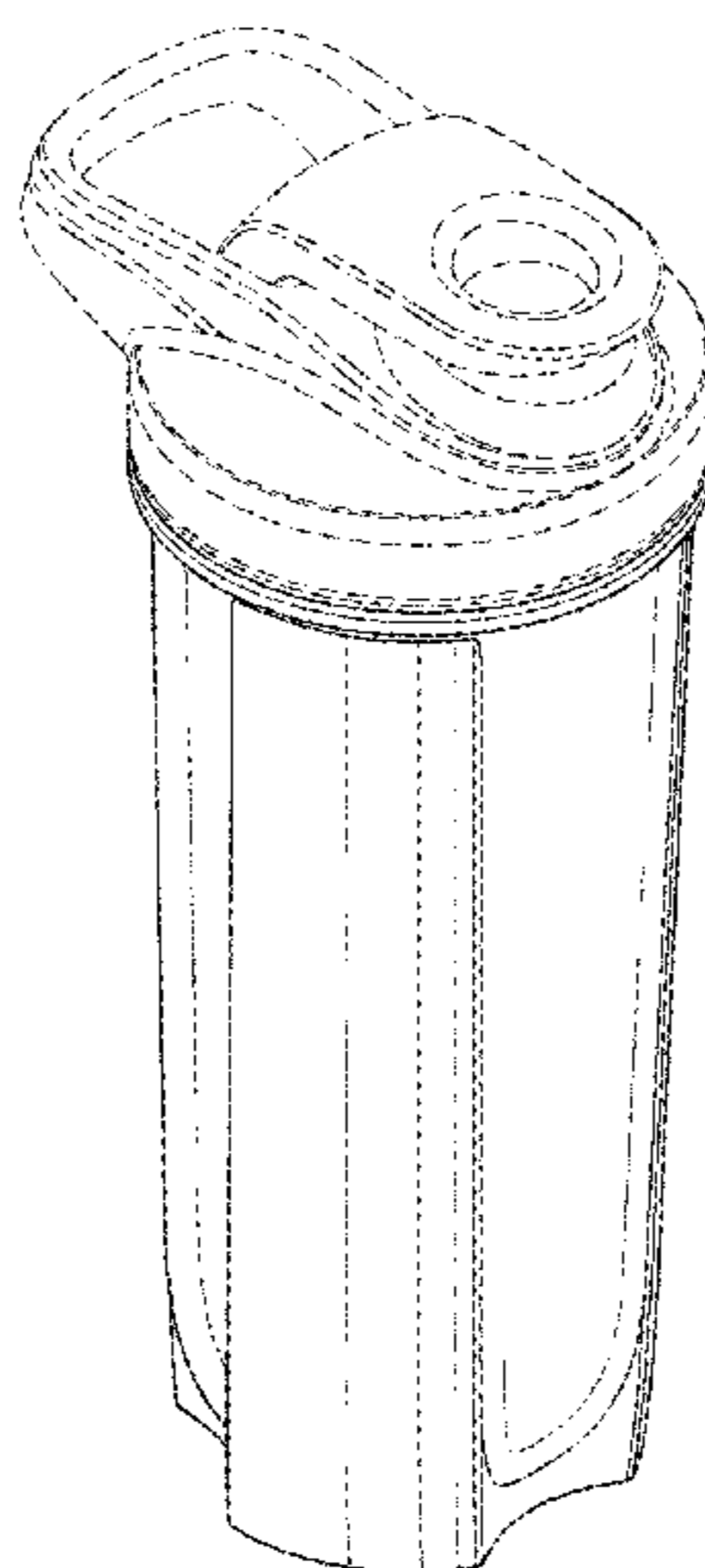
(57) **CLAIM**

We claim the ornamental design for a beverage container, as shown and described.

**DESCRIPTION**

FIG. 1 is a top perspective view of a beverage container; FIG. 2 is a bottom perspective view of the beverage container shown in FIG. 1; FIG. 3 is a left side view of the beverage container shown in FIG. 1; FIG. 4 is a right side view of the beverage container shown in FIG. 1; FIG. 5 is a back view of the beverage container shown in FIG. 1; FIG. 6 is a front view of the beverage container shown in FIG. 1; FIG. 7 is a top view of the beverage container shown in FIG. 1; and, FIG. 8 is a bottom view of the beverage container shown in FIG. 1. The broken lines depict portions of the beverage container that form no part of the claimed design.

**1 Claim, 6 Drawing Sheets**



(56)

References Cited

U.S. PATENT DOCUMENTS

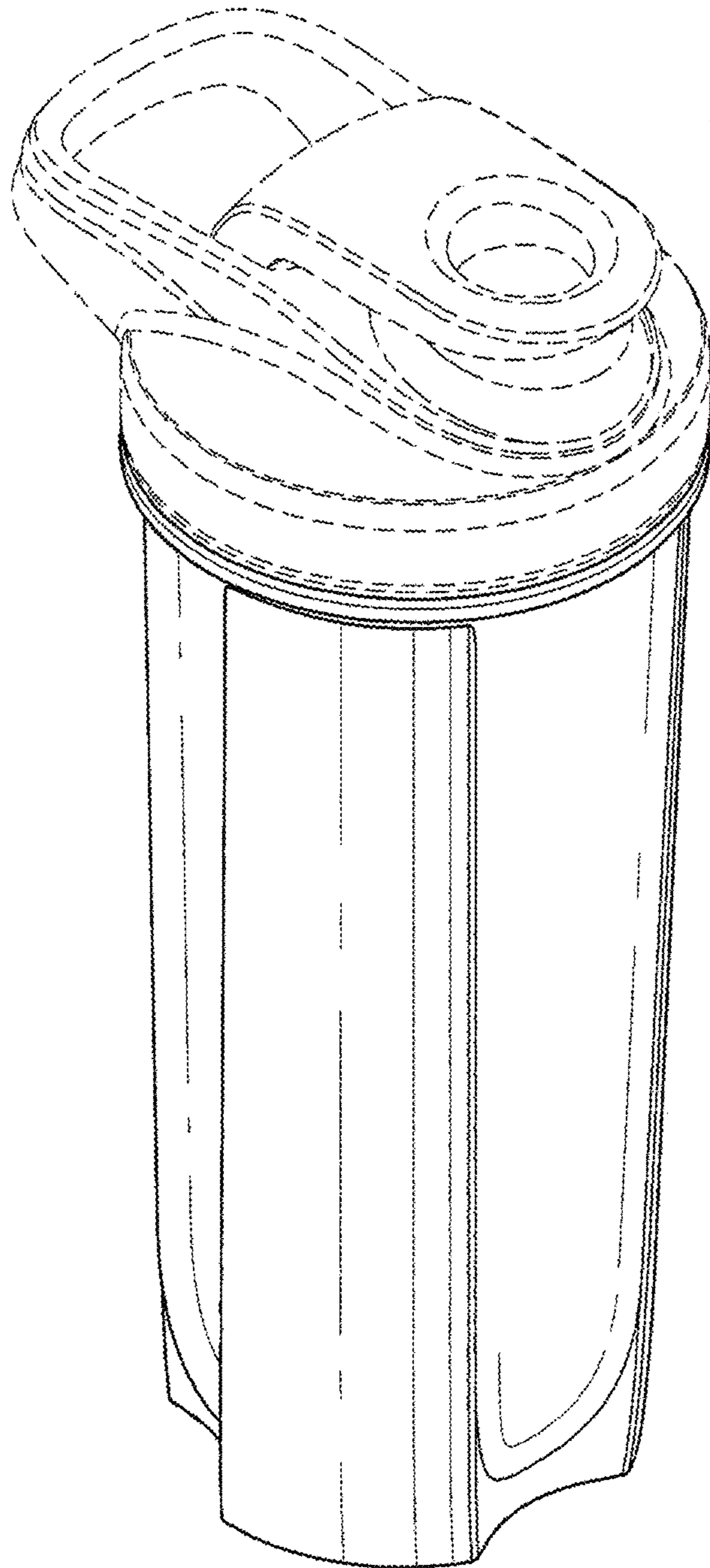
D510,235 S 10/2005 Sorensen  
 D532,650 S 11/2006 de Groot  
 D538,597 S 3/2007 Kim  
 D584,566 S 1/2009 Fuller  
 D624,357 S 9/2010 George  
 7,810,651 B2 10/2010 Miga, Jr.  
 D626,837 S 11/2010 Meyers et al.  
 D632,918 S 2/2011 Gordon  
 D634,161 S 3/2011 Roth et al.  
 D644,065 S 8/2011 Llerena  
 D646,919 S 10/2011 Nilsson  
 D655,131 S 3/2012 Nilsson  
 D656,357 S 3/2012 Enghard  
 D657,618 S 4/2012 Wahl  
 D658,014 S 4/2012 Miga, Jr.  
 D666,047 S 8/2012 Lin  
 D675,872 S 2/2013 Avila et al.  
 D677,121 S 3/2013 Meyers et al.  
 D679,541 S 4/2013 Samartgis  
 D687,661 S 8/2013 Cetera et al.  
 D688,520 S 8/2013 Lin  
 D690,989 S 10/2013 Cetera et al.  
 D691,849 S 10/2013 Cetera et al.  
 D692,276 S 10/2013 Cetera et al.  
 8,544,674 B2 10/2013 Nilsson  
 D696,551 S 12/2013 Meyers et al.  
 8,602,238 B2 12/2013 El-Saden et al.

D699,996 S \* 2/2014 De Leo ..... D7/300.1  
 D700,014 S 2/2014 Zeanah  
 8,672,164 B2 \* 3/2014 Honeyghan ..... A47G 19/22  
 215/235  
 D702,079 S 4/2014 Hung  
 D702,087 S \* 4/2014 Steel ..... D7/300.1  
 D702,489 S 4/2014 Steel et al.  
 D702,503 S 4/2014 Steel et al.  
 D717,601 S \* 11/2014 Dixon ..... D7/510  
 D723,332 S \* 3/2015 Steel ..... D7/510  
 D726,476 S 4/2015 Ercanbrack  
 D730,694 S \* 6/2015 Elsaden ..... D7/511  
 D739,174 S \* 9/2015 Elsaden ..... D7/392.1  
 2009/0145839 A1 6/2009 Miga, Jr.  
 2011/0220674 A1 9/2011 Honeyghan  
 2013/0343148 A1 12/2013 Avila et al.  
 2015/0201773 A1 \* 7/2015 Sorensen ..... A47J 43/27  
 220/254.5

OTHER PUBLICATIONS

[http://guide.alibaba.com/shop/shaker-bottle-protein-shaker-cup-bottle-for-nutrition-whey-protein-mix-700ml\\_3772100.html](http://guide.alibaba.com/shop/shaker-bottle-protein-shaker-cup-bottle-for-nutrition-whey-protein-mix-700ml_3772100.html)  
 Retrieved Nov. 2, 2015.\*  
<http://shop.fit-fresh.com/28-oz-Jaxx-Shaker-Bottle/dp/B00AY3S3M0>, at least as early as Jan. 22, 2014.  
<http://www.blenderbottle.com/products/all/blender-bottle-combo-packs.html>, at least as early as Jan. 22, 2014.  
<http://www.smartshake.com>, at least as early as Jan. 22, 2014.

\* cited by examiner



*FIG. 1*

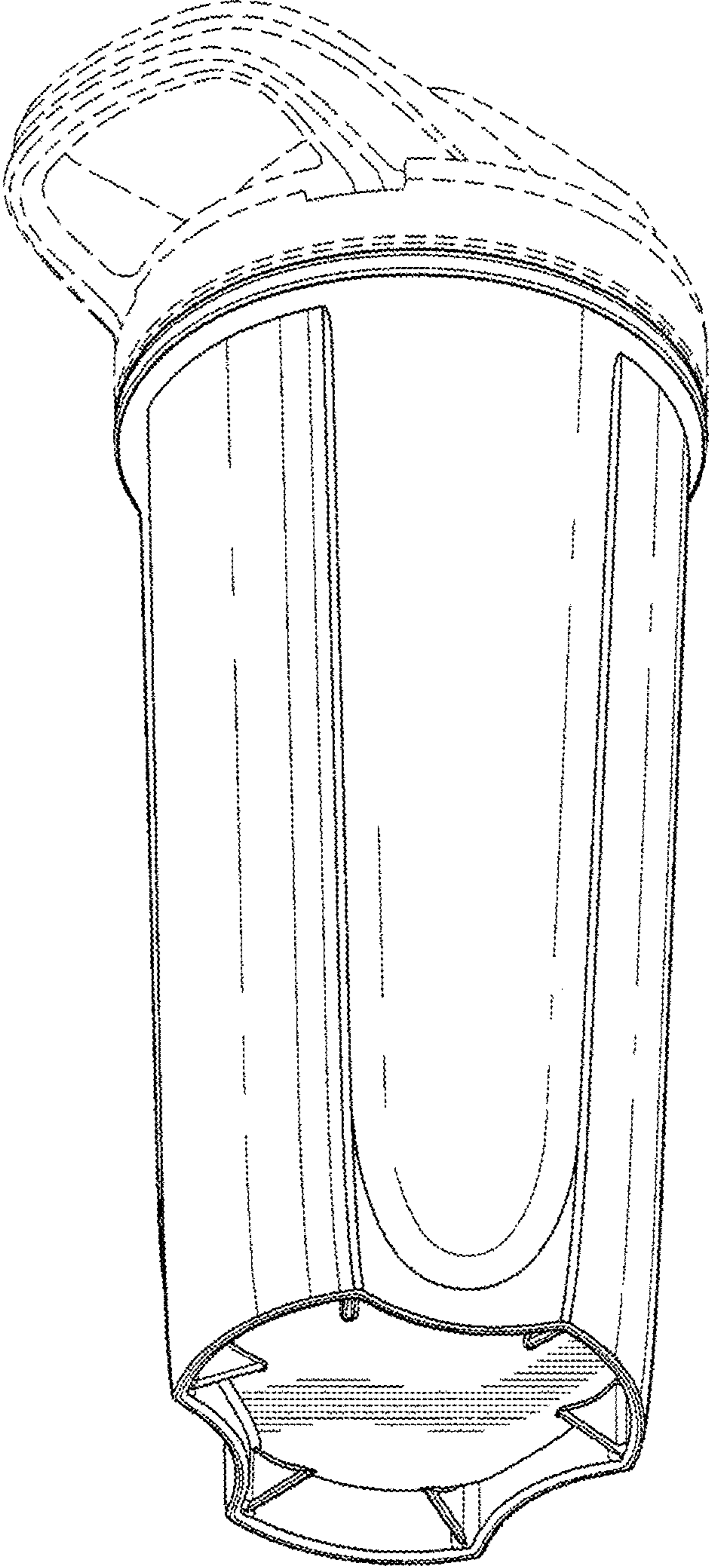
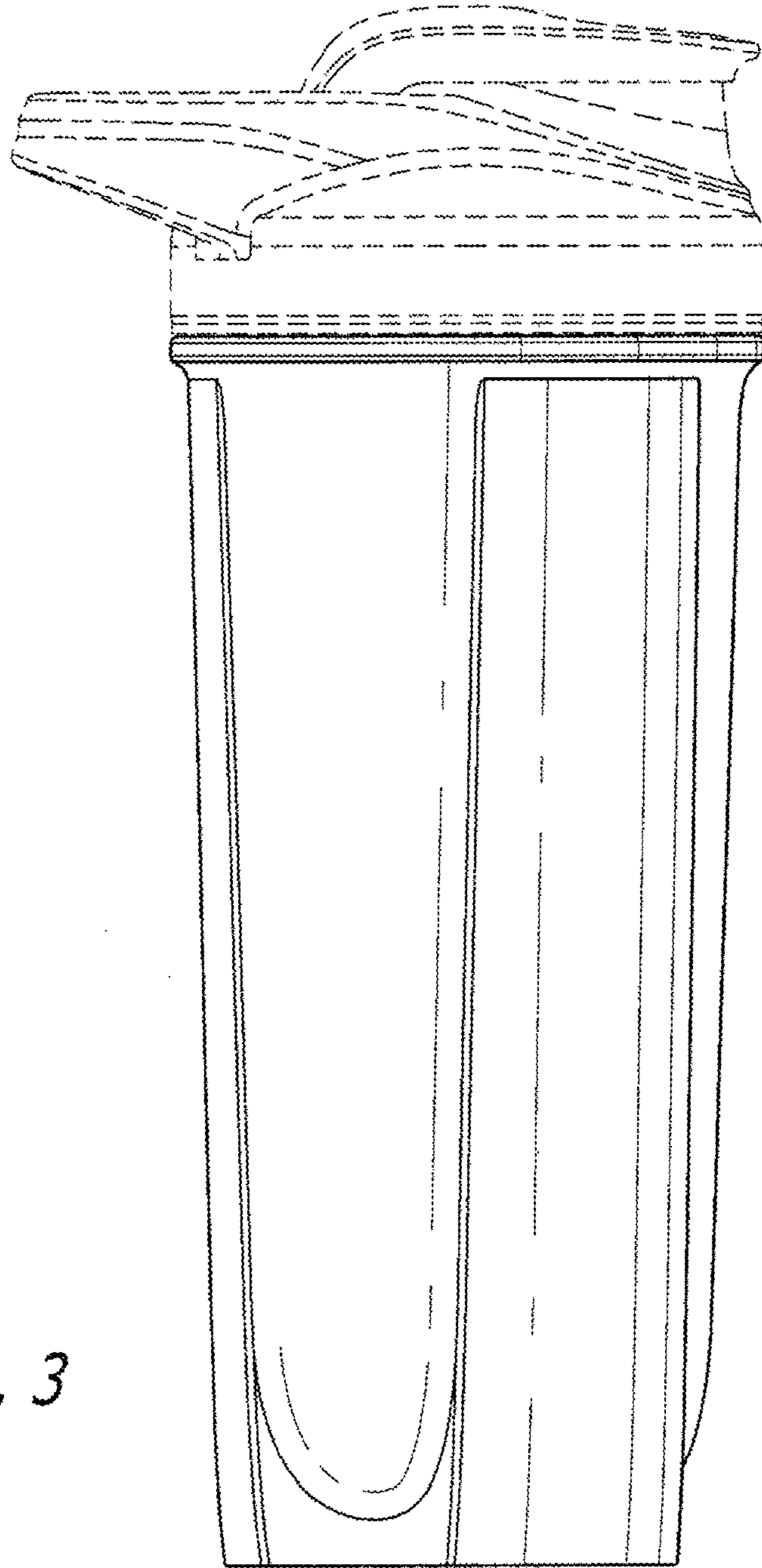


FIG. 2



*FIG. 3*

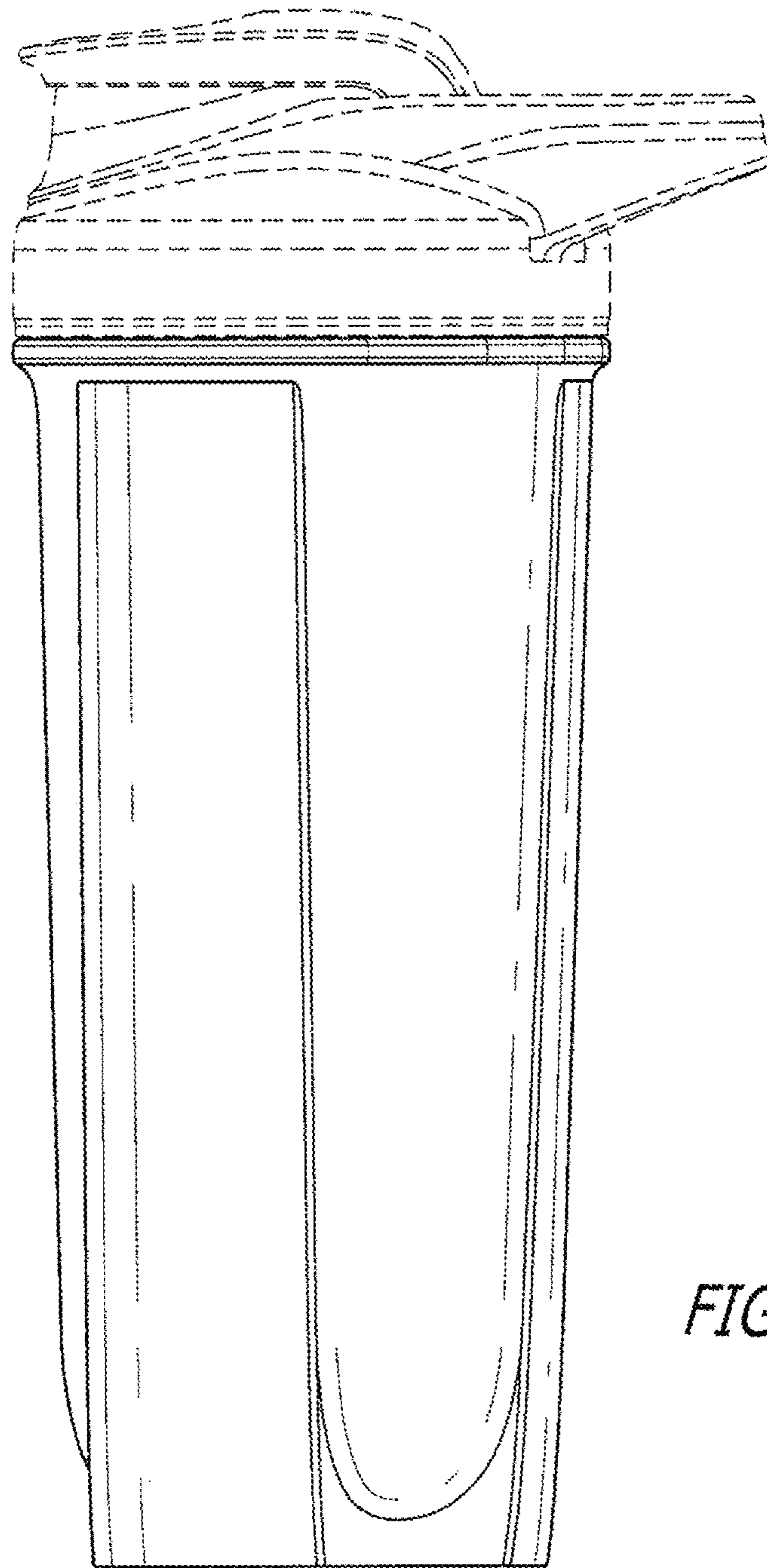


FIG. 4

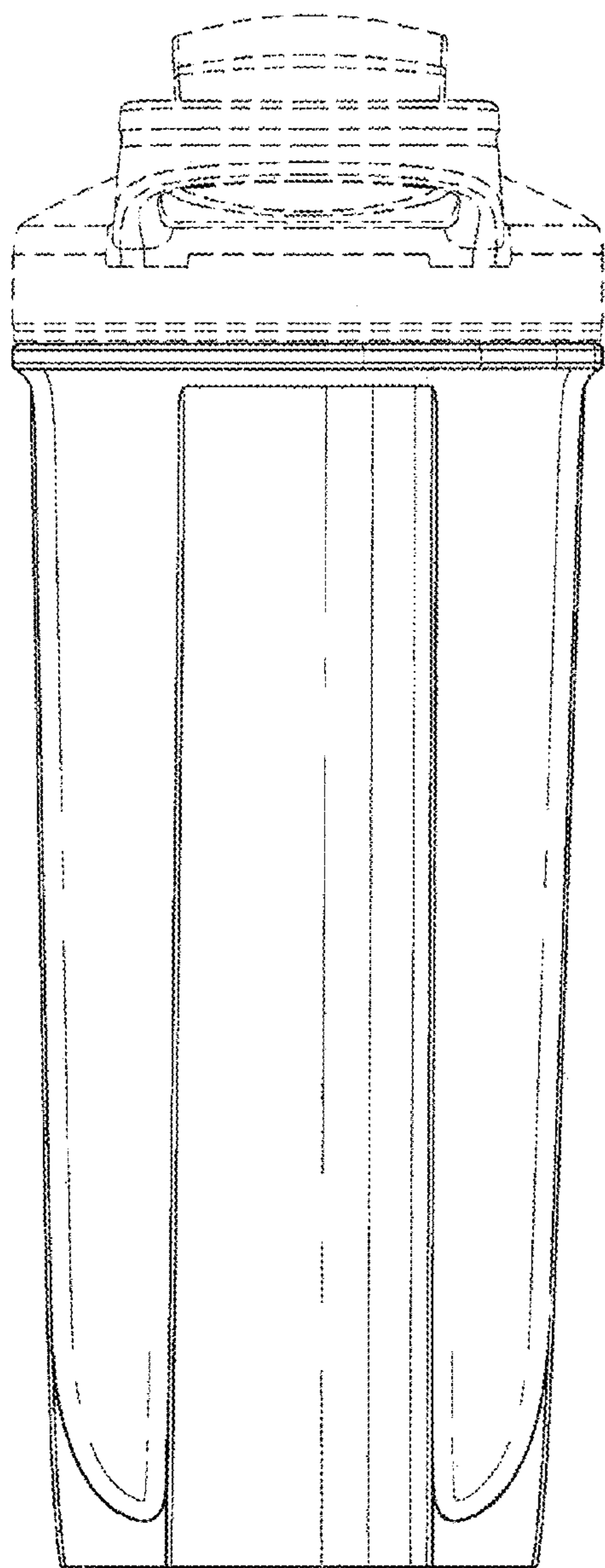


FIG. 5

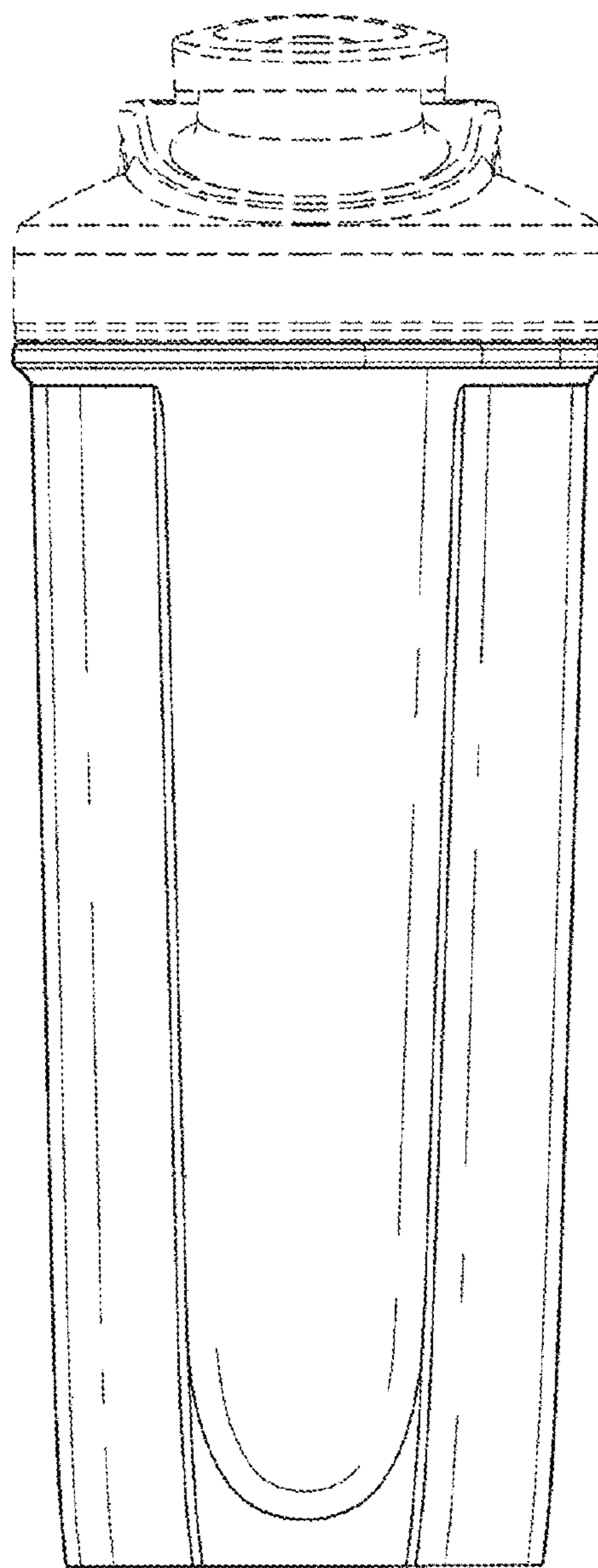
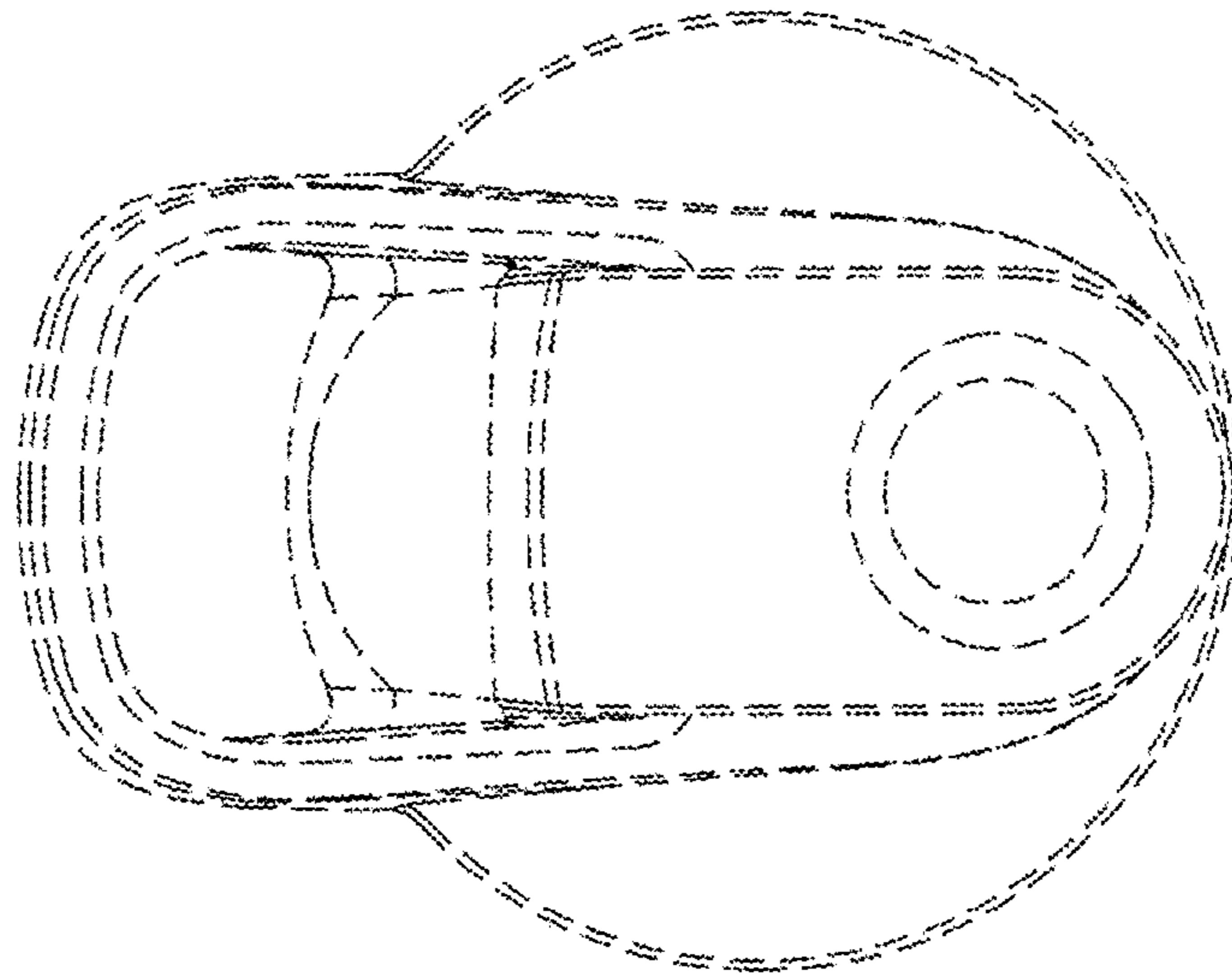
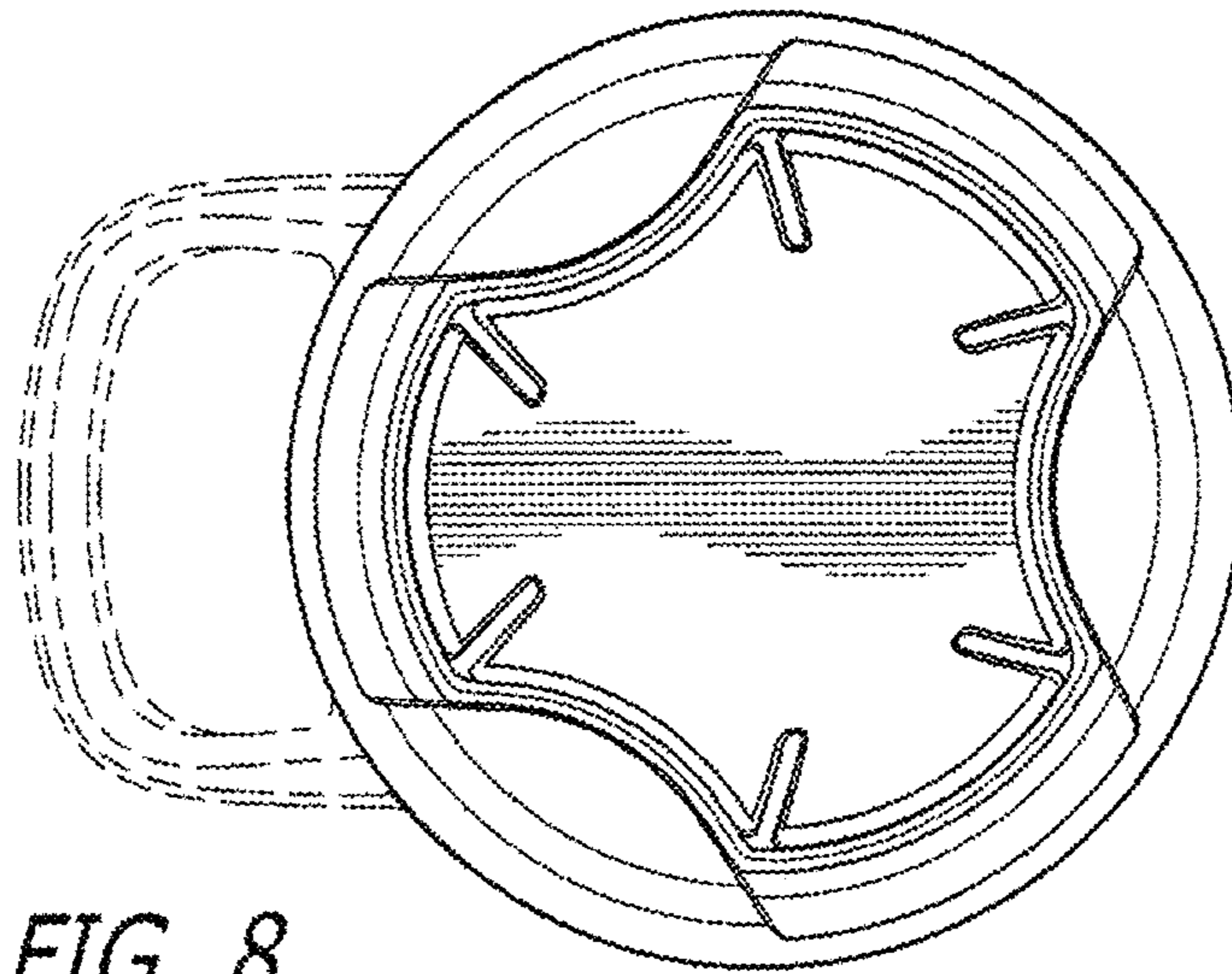


FIG. 6



*FIG. 7*



*FIG. 8*