



US00D754479S

(12) **United States Design Patent**
Tae

(10) **Patent No.:** **US D754,479 S**
(45) **Date of Patent:** **** Apr. 26, 2016**

- (54) **FOLDABLE PAPER CUP**
- (71) Applicant: **Joon Hwan Tae**, Elk Grove Village, IL (US)
- (72) Inventor: **Joon Hwan Tae**, Elk Grove Village, IL (US)
- (**) Term: **14 Years**
- (21) Appl. No.: **29/503,981**
- (22) Filed: **Oct. 1, 2014**
- (51) **LOC (10) Cl.** **07-01**
- (52) **U.S. Cl.**
USPC **D7/512; D7/532; D7/509; D9/433**
- (58) **Field of Classification Search**
USPC D7/500, 501, 503, 505, 507, 509, 510, D7/511, 512, 523, 529, 530, 531, 514, 515, D7/553.4, 553.5, 553.6, 554.1, 553.7, D7/553.8, 554.2, 555, 543, 542, 545, 540, D7/546, 547, 548, 549, 552.1, 557, 566, D7/586, 587, 601, 602, 600.1, 600, 708.1, D7/708, 619.1, 620, 622, 632, 664, 400, D7/388, 701, 396.3; D30/129, 130; D11/143, 144, 153, 164; D32/54, 53.1, D32/73; 220/592.16, 592.17, 23.4, 23.83; D9/554, 695, 433, 455, 456, 499; D3/201, 202; 229/117.12
CPC A47G 23/08; A47G 19/32; A47G 2019/2277; A47G 19/2216; A47G 19/2211; A47G 19/22; B65D 21/02; B65D 1/265; B65D 3/06; A45F 2003/205; A45F 3/20
See application file for complete search history.

- (56) **References Cited**
U.S. PATENT DOCUMENTS
2,165,277 A * 7/1939 Koch B65D 3/06
229/405
2,385,898 A * 10/1945 Waters B65D 3/06
229/117.03

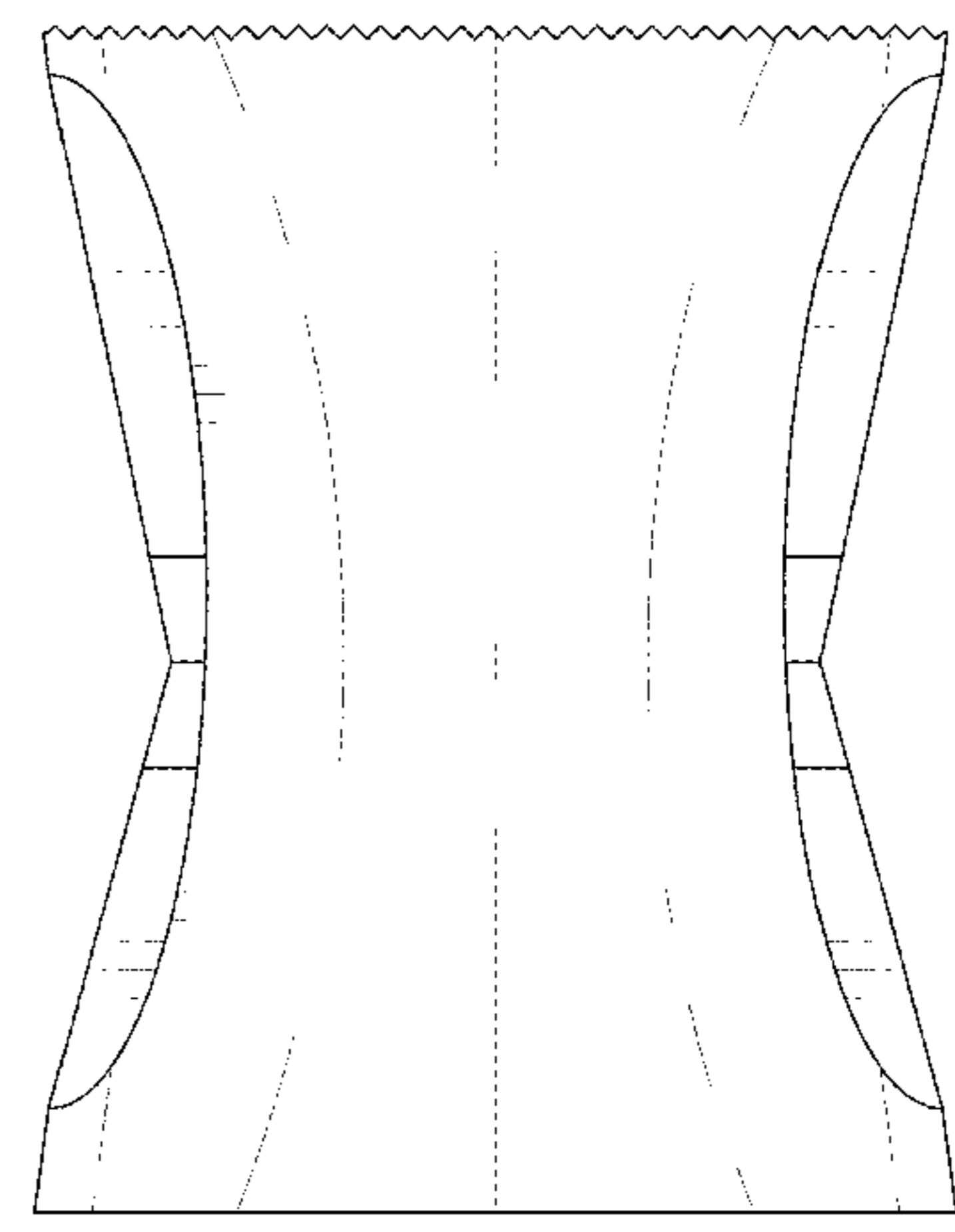
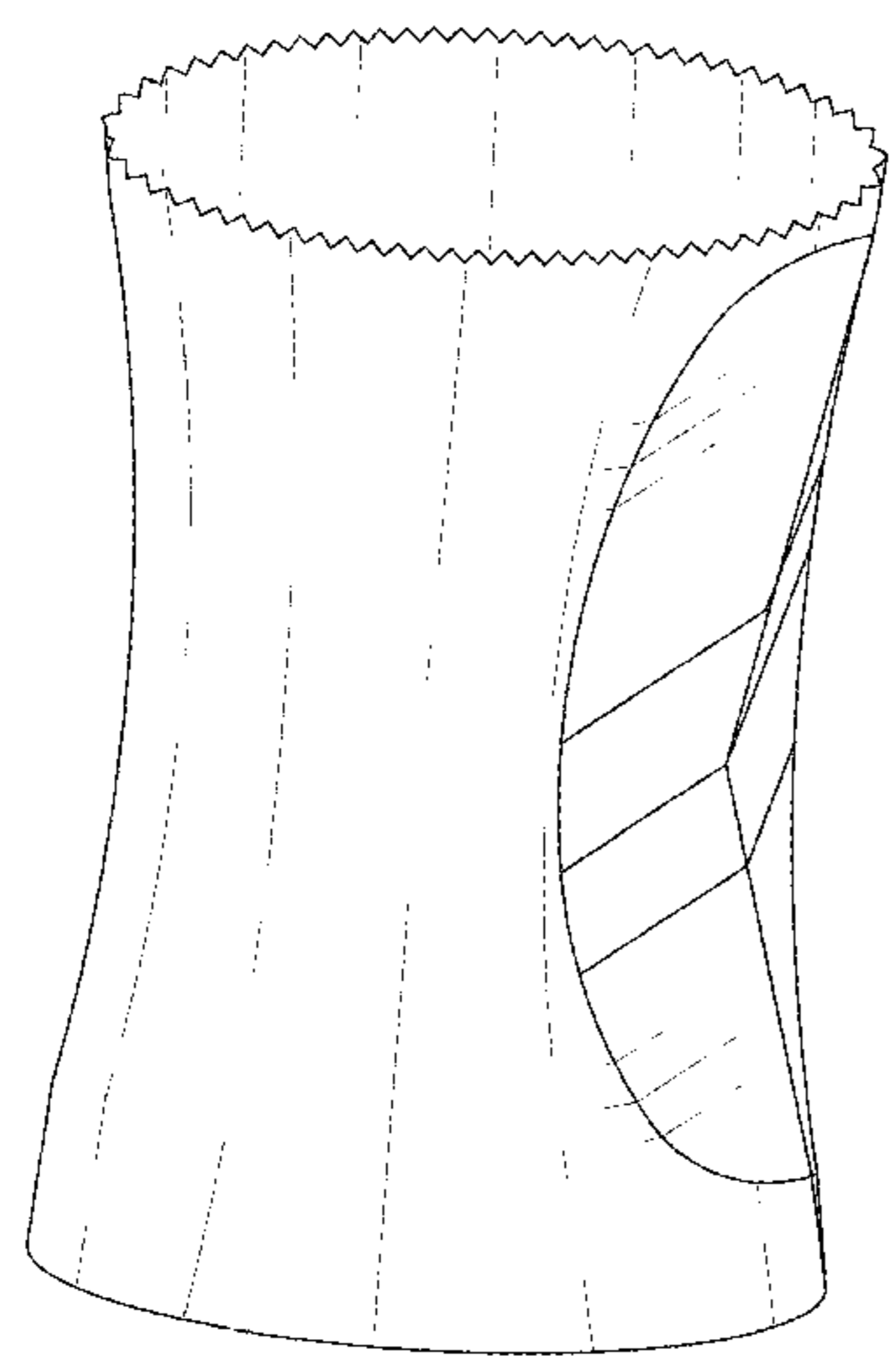
- 3,935,993 A * 2/1976 Doyen B31B 37/00
383/104
- 4,353,497 A * 10/1982 Bustin B65D 75/008
383/104
- D374,204 S * 10/1996 Weder D11/143
- D407,970 S * 4/1999 Planchard D9/703
- D419,436 S * 1/2000 Celtorius D11/117
- D482,614 S * 11/2003 Countee, Jr. D7/705
- D531,452 S * 11/2006 Toth D7/509
- D535,910 S * 1/2007 Shaffer D11/164
- D553,308 S * 10/2007 Klein D30/199
- D556,626 S * 12/2007 Shaffer D11/143
- D569,762 S * 5/2008 Nachumzon D11/143
- D615,363 S * 5/2010 Lion D7/503
- D615,413 S * 5/2010 Gilbert D7/523
- D662,777 S * 7/2012 Andrascik D7/509
- D672,202 S * 12/2012 Craft D7/586
- 8,622,619 B2 * 1/2014 Adams 383/104
- D738,742 S * 9/2015 Neale D9/702
- D742,040 S * 10/2015 Davis D26/10

* cited by examiner
Primary Examiner — Marianne Pandozzi
Assistant Examiner — Jae Liang
(74) *Attorney, Agent, or Firm* — Sang Ki Lee

(57) **CLAIM**
The ornamental design for a foldable paper cup, as shown and described.

DESCRIPTION
FIG. 1 is a front right perspective view of the foldable paper cup showing my new design;
FIG. 2 is a bottom perspective view thereof;
FIG. 3 is a front elevational view thereof;
FIG. 4 is a rear elevational view thereof;
FIG. 5 is a right side elevational view thereof;
FIG. 6 is a left side elevational view thereof;
FIG. 7 is a top plan view thereof; and,
FIG. 8 is a bottom plan view thereof.

1 Claim, 7 Drawing Sheets



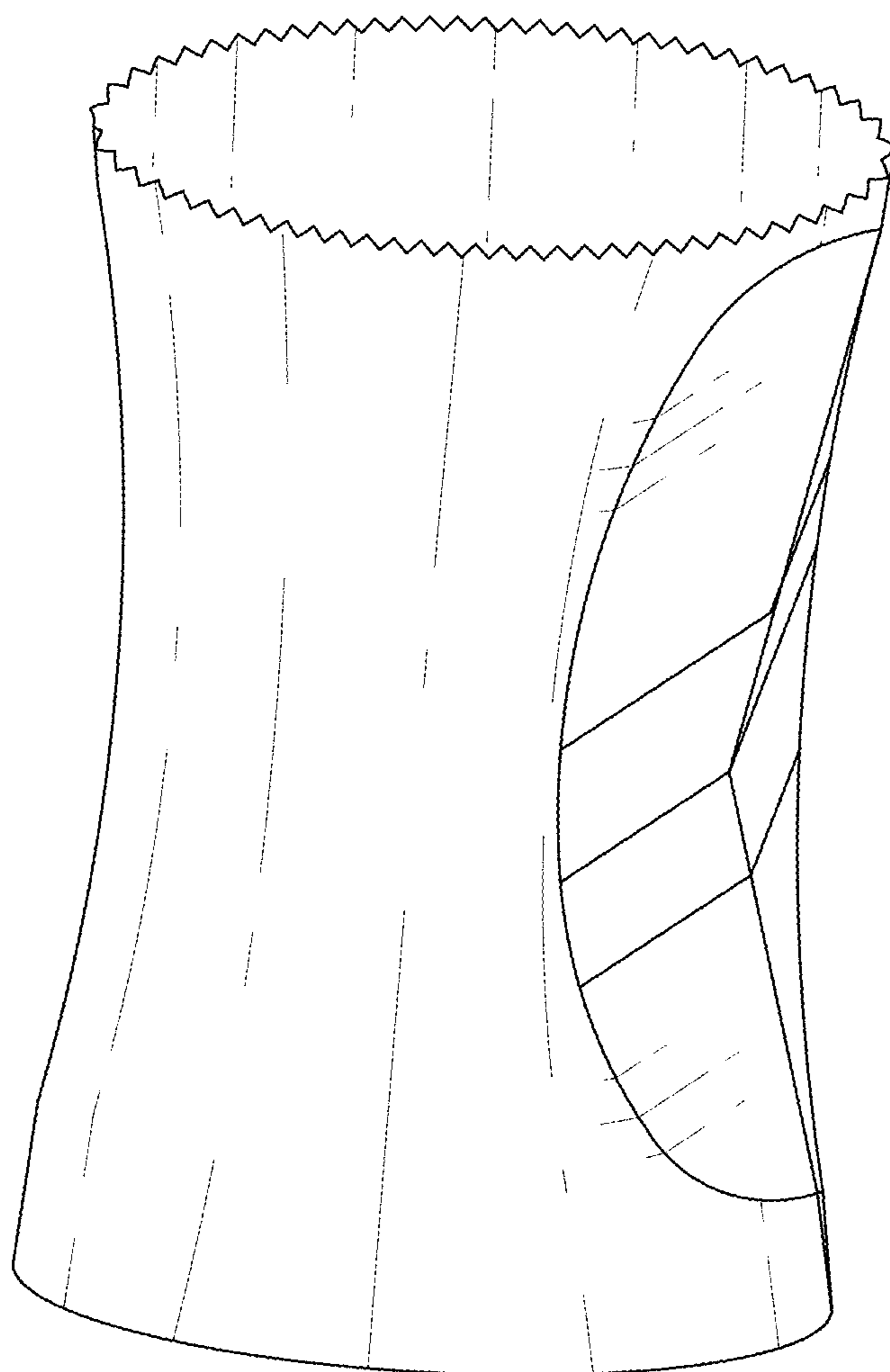


FIG. 1

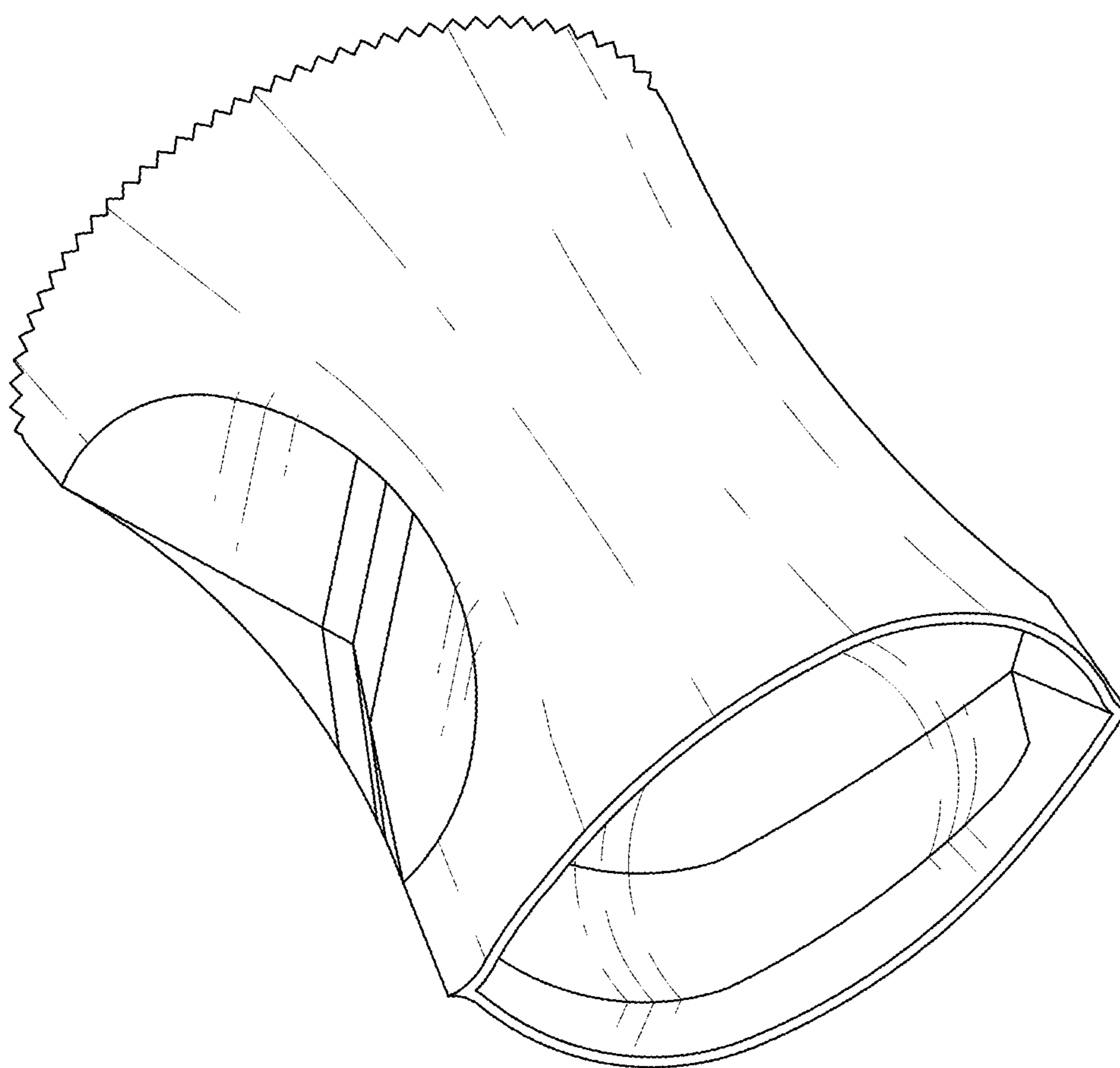


FIG. 2

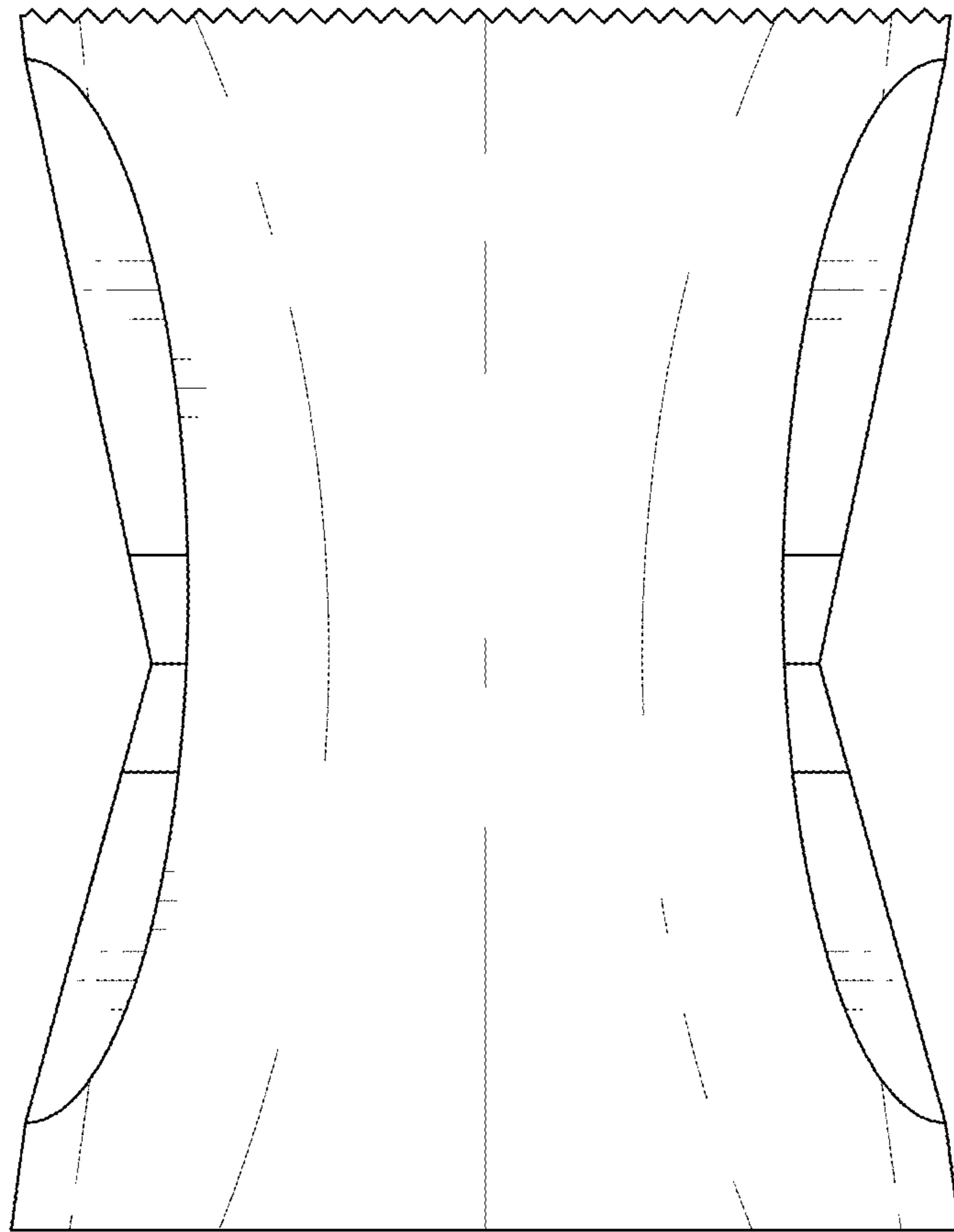


FIG. 3

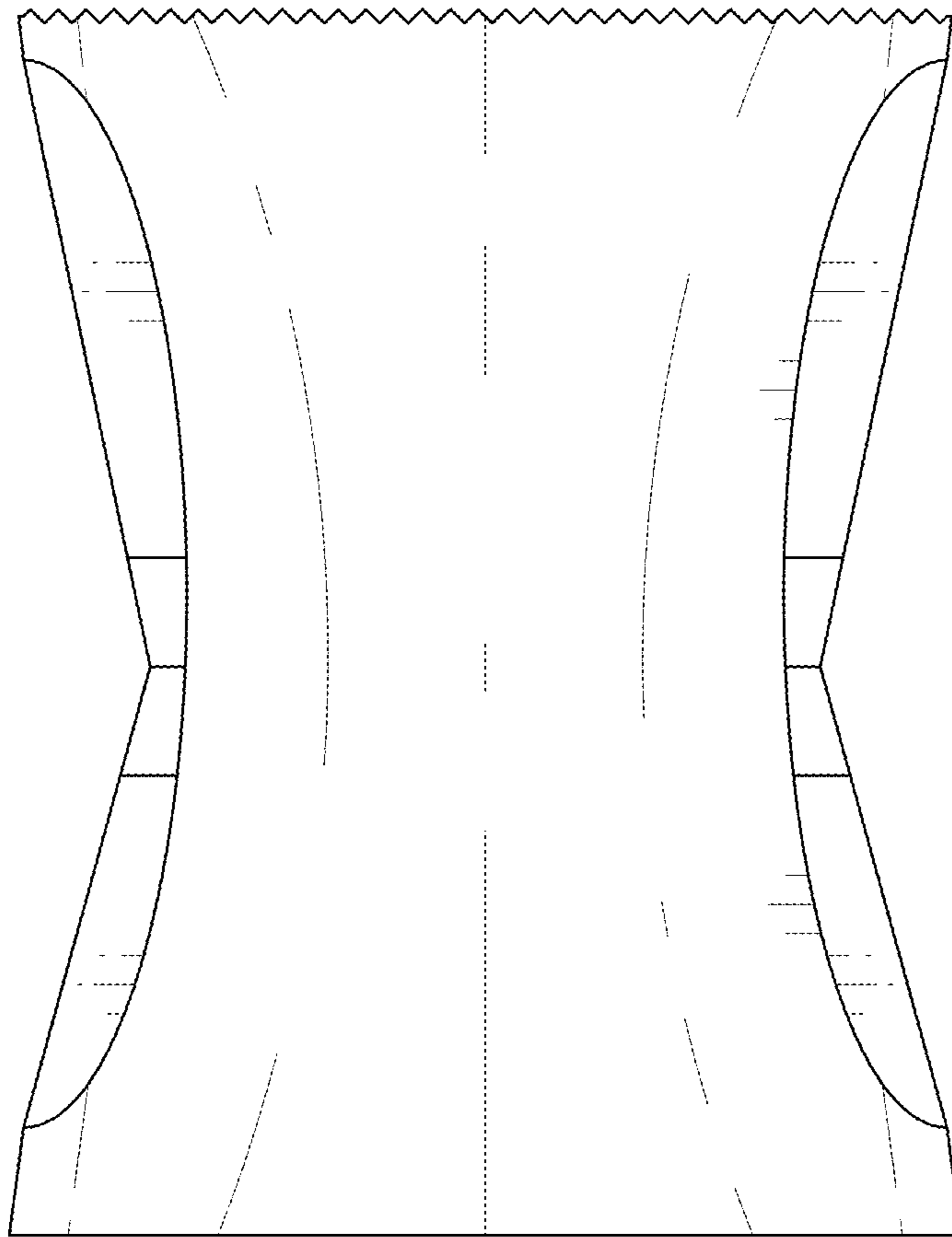


FIG. 4

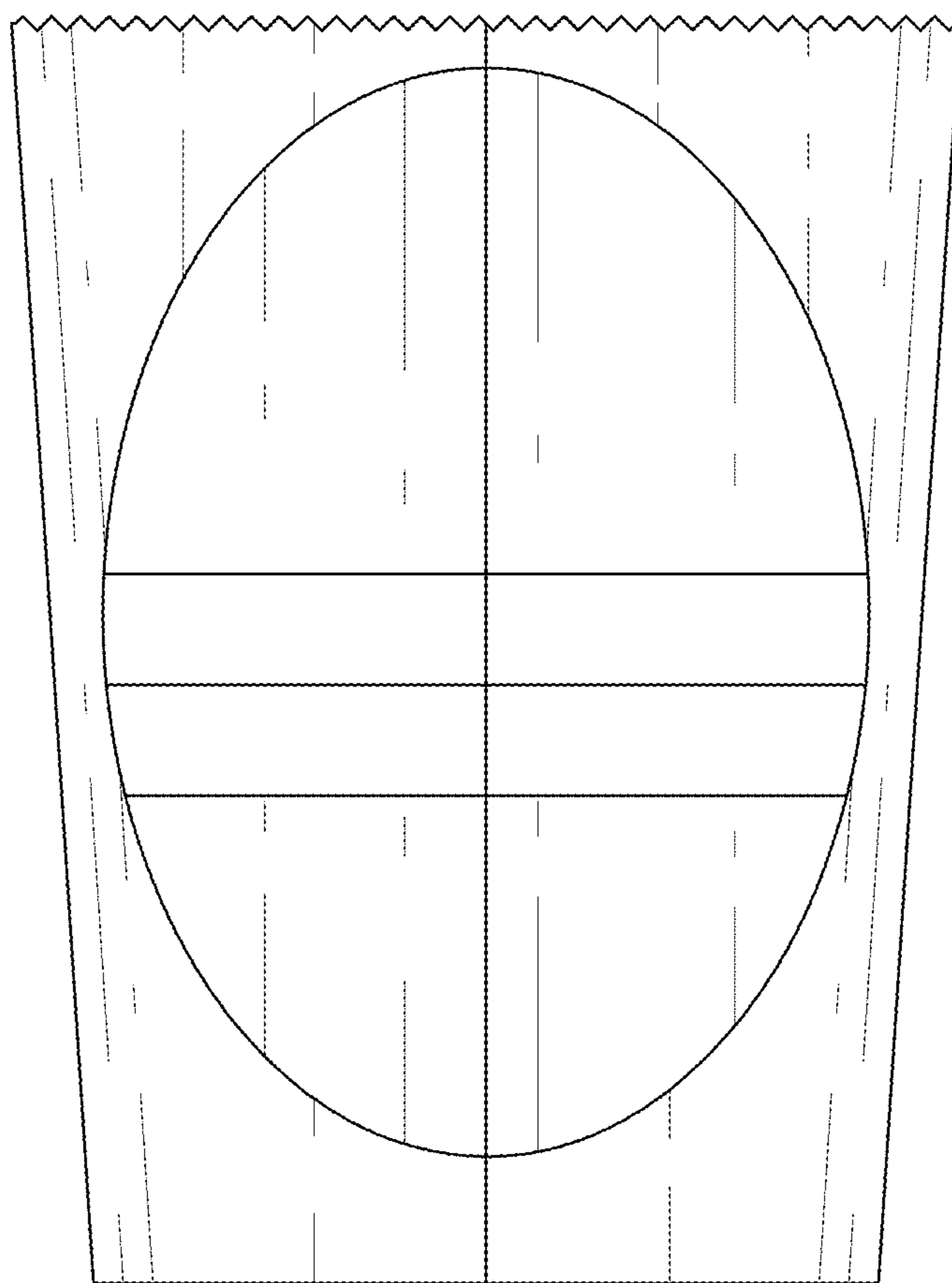


FIG. 5

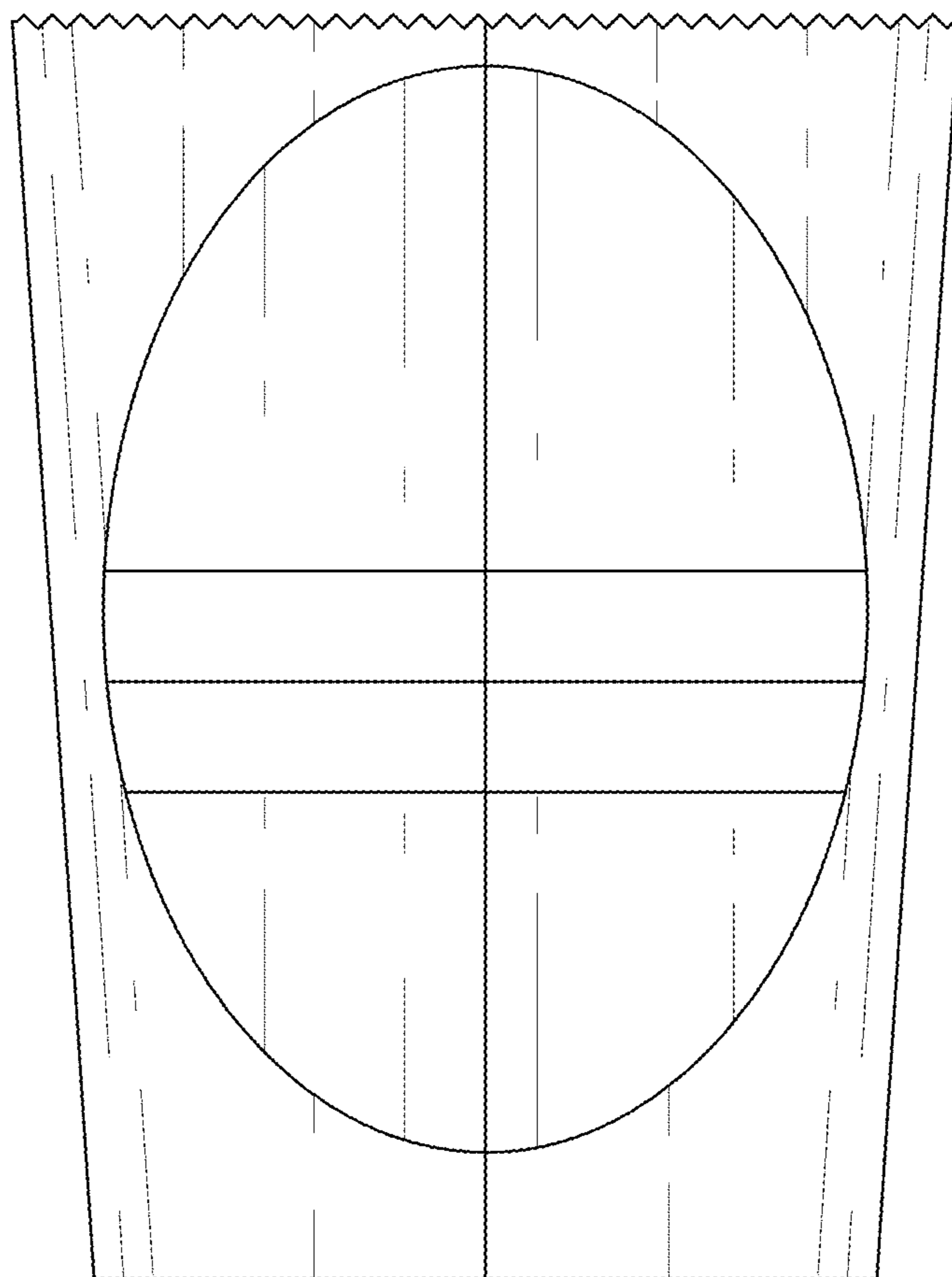


FIG. 6

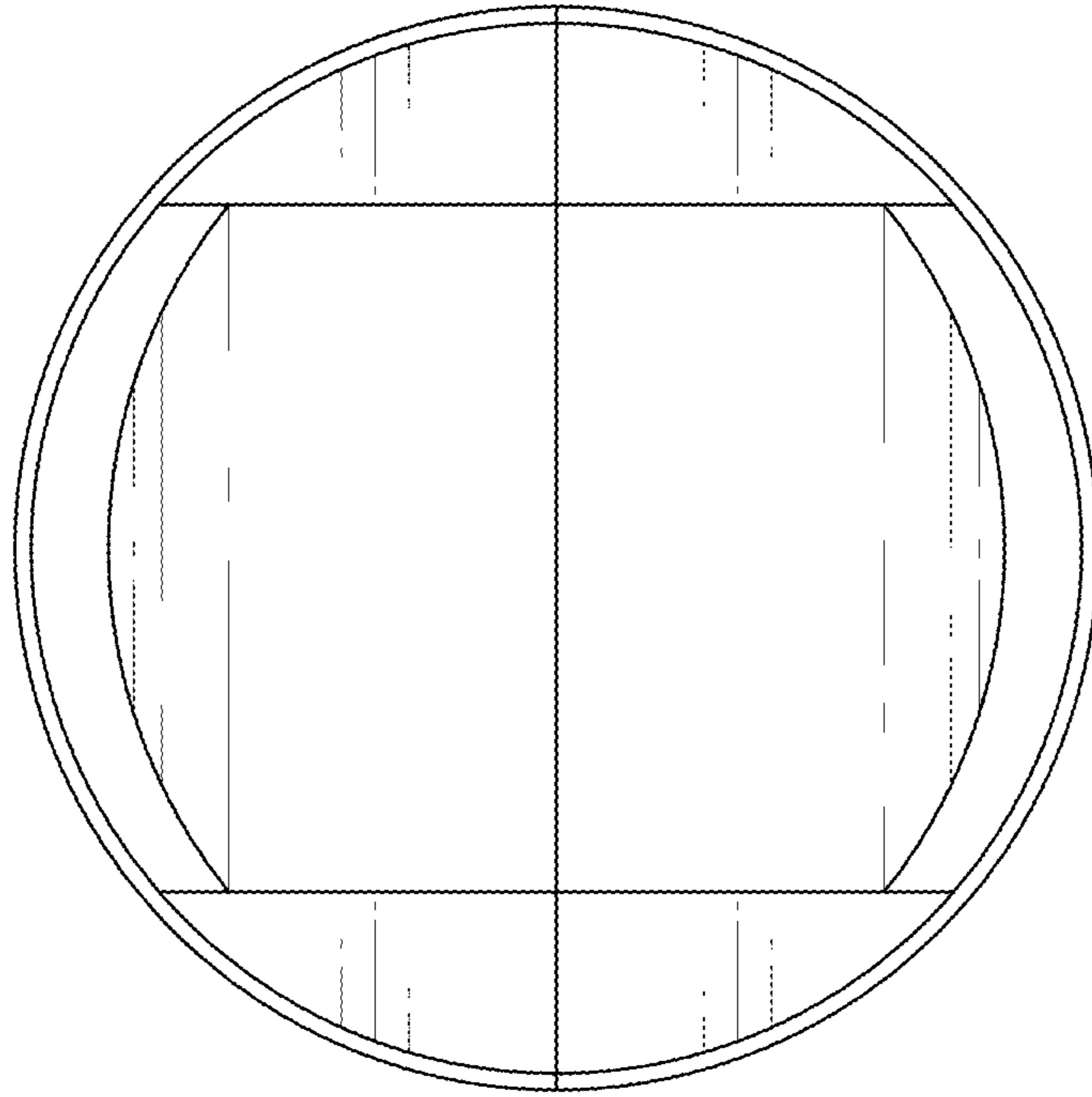


FIG. 7

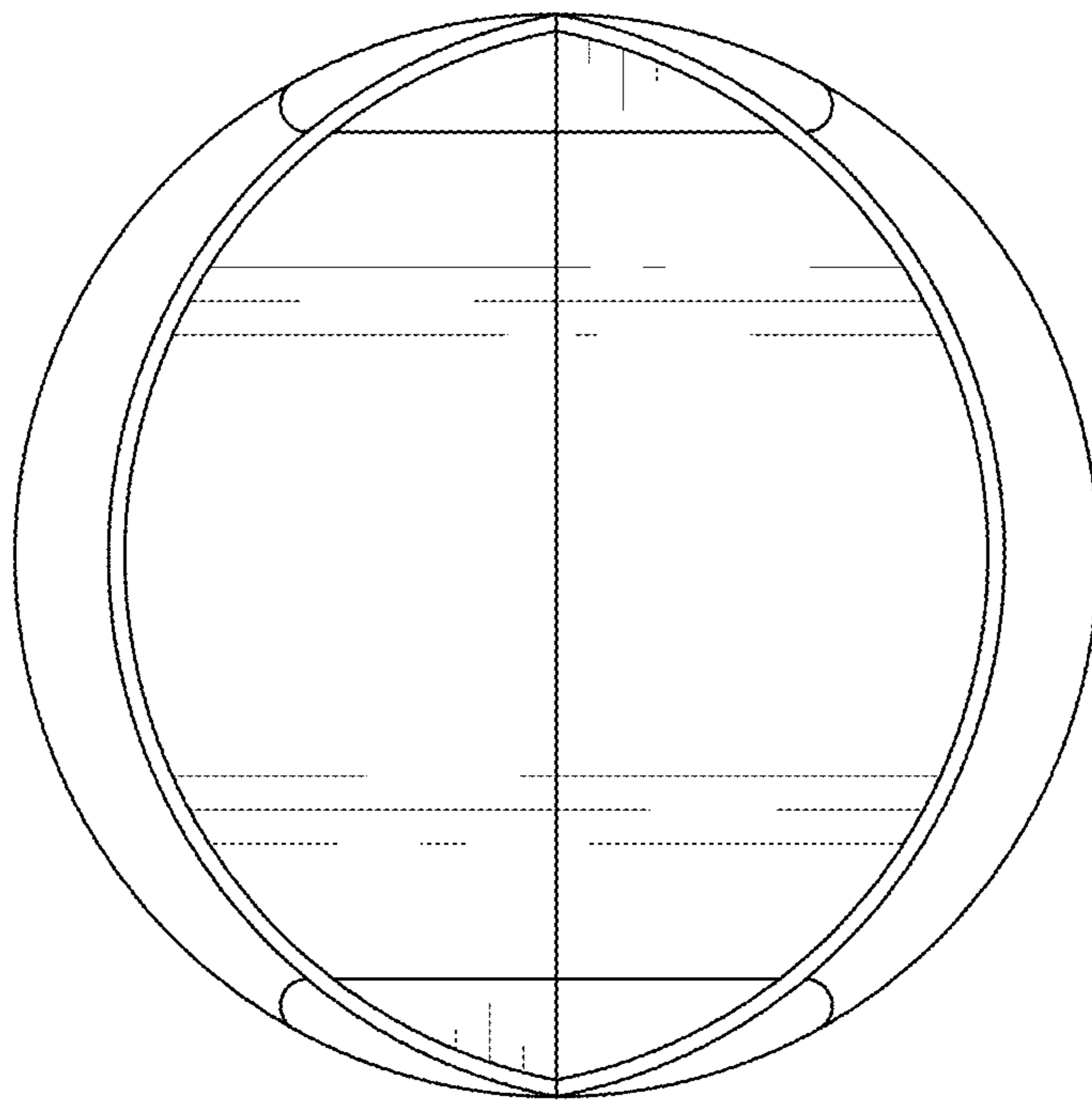


FIG. 8