



US00D754477S

(12) **United States Design Patent**  
**Verbrugge**

(10) **Patent No.:** **US D754,477 S**

(45) **Date of Patent:** **\*\* Apr. 26, 2016**

(54) **BEAKER ACCESSORY FOR HAND BLENDER**

(56)

**References Cited**

(71) Applicant: **KONINKLIJKE PHILIPS N.V.**,  
Eindhoven (NL)

(72) Inventor: **Frank Verbrugge**, Rosmalen (NL)

(73) Assignee: **KONINKLIJKE PHILIPS N.V.**,  
Eindhoven (NL)

(\*\*) Term: **14 Years**

(21) Appl. No.: **29/501,790**

(22) Filed: **Sep. 9, 2014**

(30) **Foreign Application Priority Data**

Mar. 9, 2014 (EM) ..... 002420760-0001

(51) **LOC (10) Cl.** ..... **31-00**

(52) **U.S. Cl.**  
USPC ..... **D7/413; D7/376; D7/378; D7/412**

(58) **Field of Classification Search**  
USPC ..... D7/317, 319, 372, 376-386, 399,  
D7/412-413, 602, 629, 665-666, 669, 679,  
D7/693-694

CPC ..... A21C 1/02; A21C 1/04; A23N 1/00;  
A23N 1/02; A47J 43/04; A47J 43/25; A47J  
43/27; A47J 43/042; A47J 43/044; A47J  
43/046; A47J 43/075; A47J 43/0722; A47J  
43/0727; B01F 3/00; B01F 3/0807; B01F  
3/0853; B01F 13/0059; B01F 13/0064;  
B02C 1/08; B02C 2/04; B02C 4/42; B02C  
4/142; B02C 4/143; B02C 4/423; B02C  
13/1835; B28C 5/10; B28C 5/12; B28C 5/14;  
B28C 5/16

See application file for complete search history.

U.S. PATENT DOCUMENTS

D343,333	S	*	1/1994	Jorgensen	.....	D7/316
D448,235	S	*	9/2001	Jørgensen	.....	D7/317
D493,662	S	*	8/2004	Bodum	.....	D7/317
D542,078	S	*	5/2007	Bodum	.....	D7/317
D557,978	S	*	12/2007	Bodum	.....	D7/397
D566,454	S	*	4/2008	Bodum	.....	D7/317
D584,559	S	*	1/2009	Bodum	.....	D7/317
D598,696	S	*	8/2009	Bodum	.....	D7/317
D603,209	S	*	11/2009	Bodum	.....	D7/317
D646,520	S	*	10/2011	Collinson	.....	D7/376
D663,155	S	*	7/2012	Bodum	.....	D7/317
D683,996	S	*	6/2013	Sworder	.....	D7/317
D729,566	S	*	5/2015	Morgan	.....	D7/317

\* cited by examiner

*Primary Examiner* — Ricky Pham

(57)

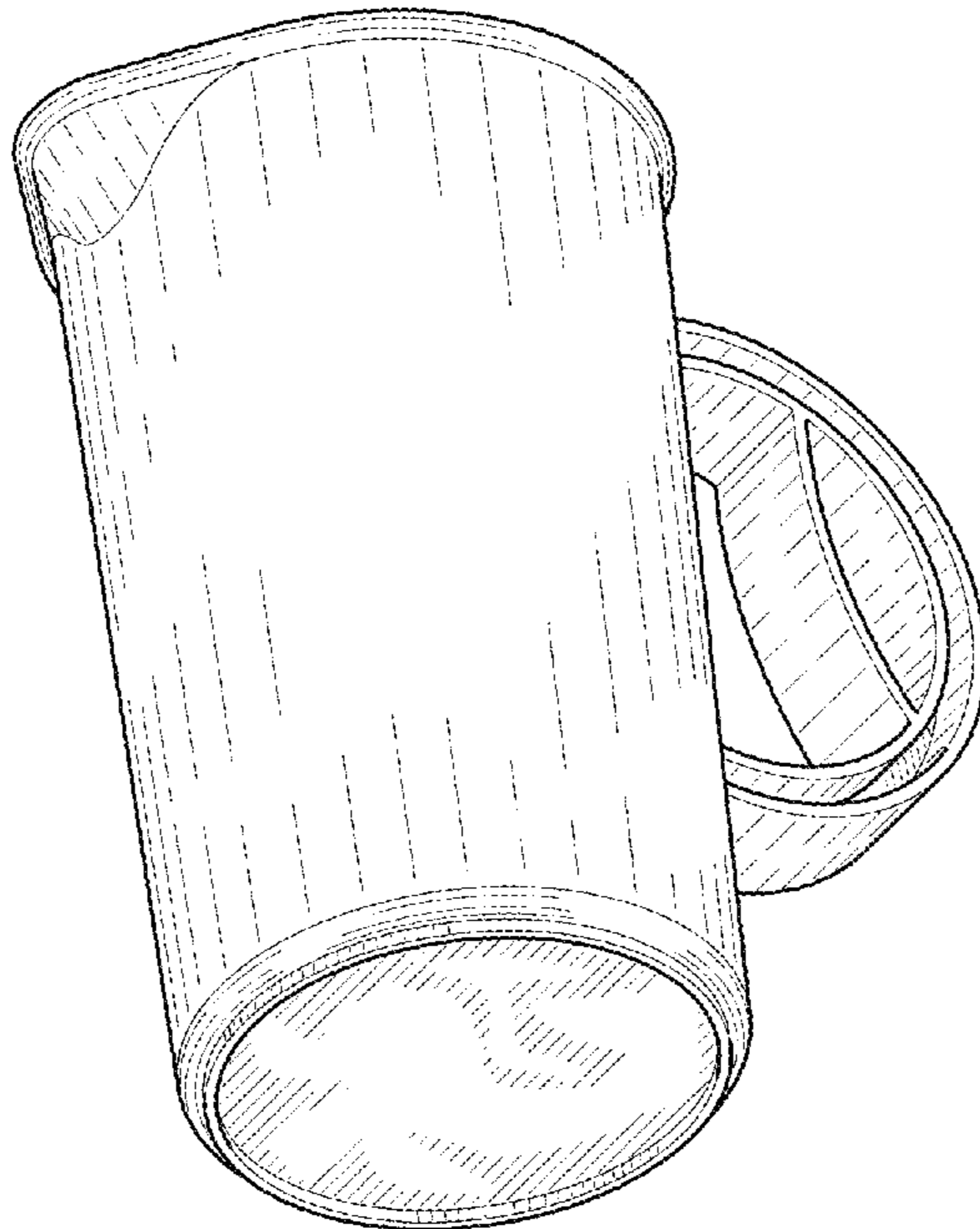
**CLAIM**

The ornamental design for a beaker accessory for hand blender, as shown.

**DESCRIPTION**

FIG. 1 is a bottom perspective view of a beaker accessory for hand blender showing my design;  
FIG. 2 is a front elevational view thereof;  
FIG. 3 is a rear elevational view thereof;  
FIG. 4 is a right side elevational view thereof;  
FIG. 5 is a left side elevational view thereof;  
FIG. 6 is a top plan view thereof; and,  
FIG. 7 is a bottom plan view thereof.

**1 Claim, 5 Drawing Sheets**



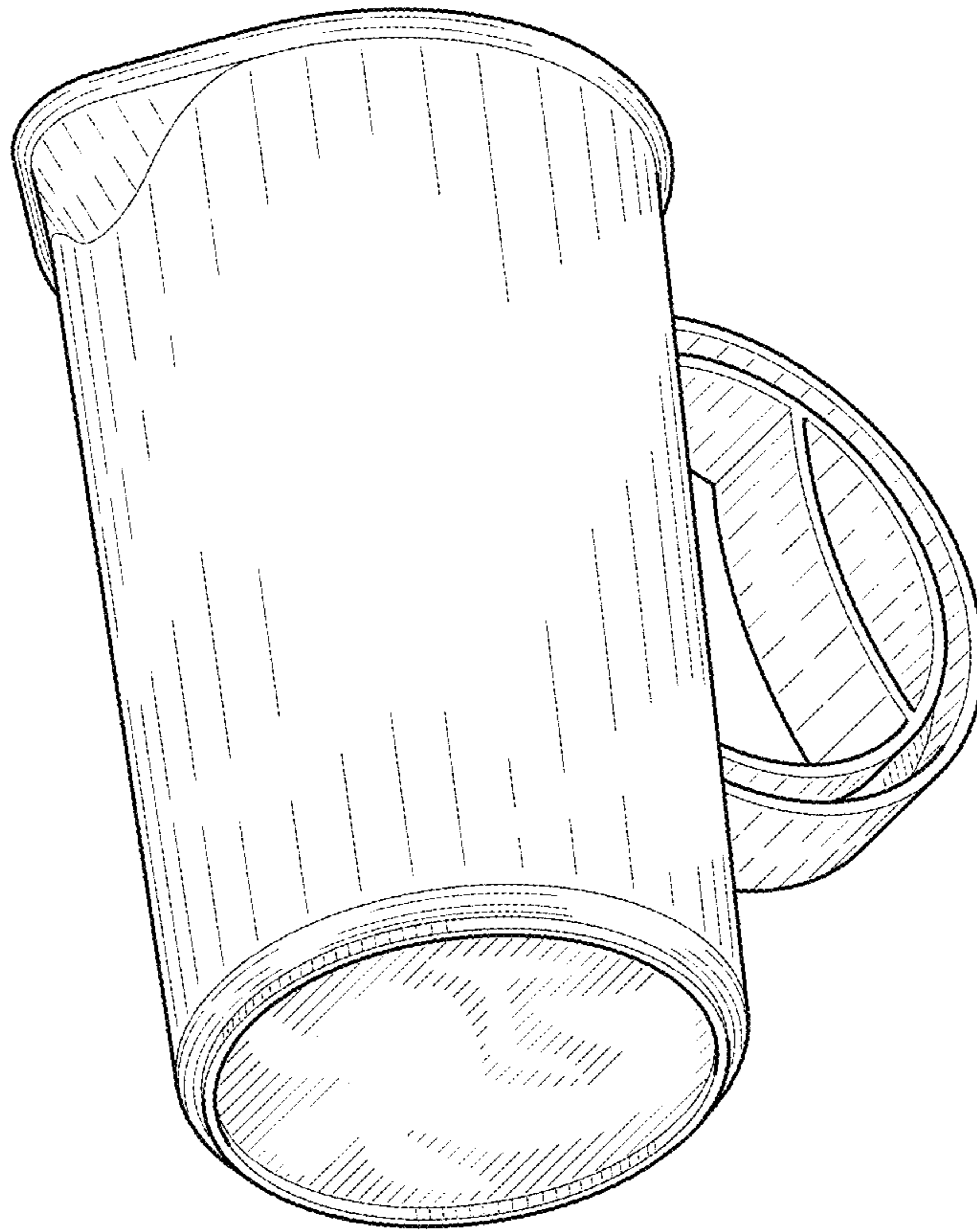


FIG. 1

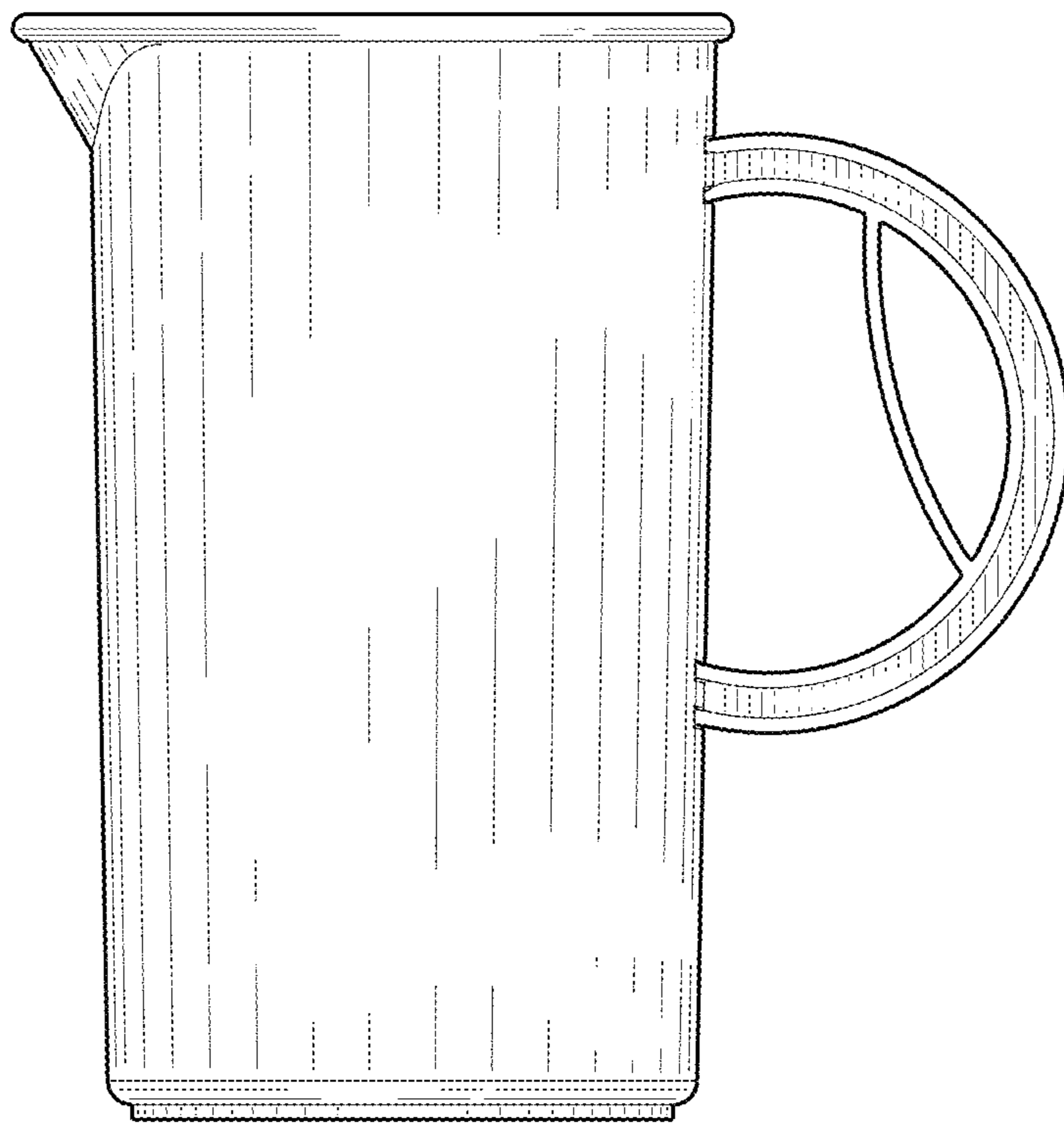


FIG. 2

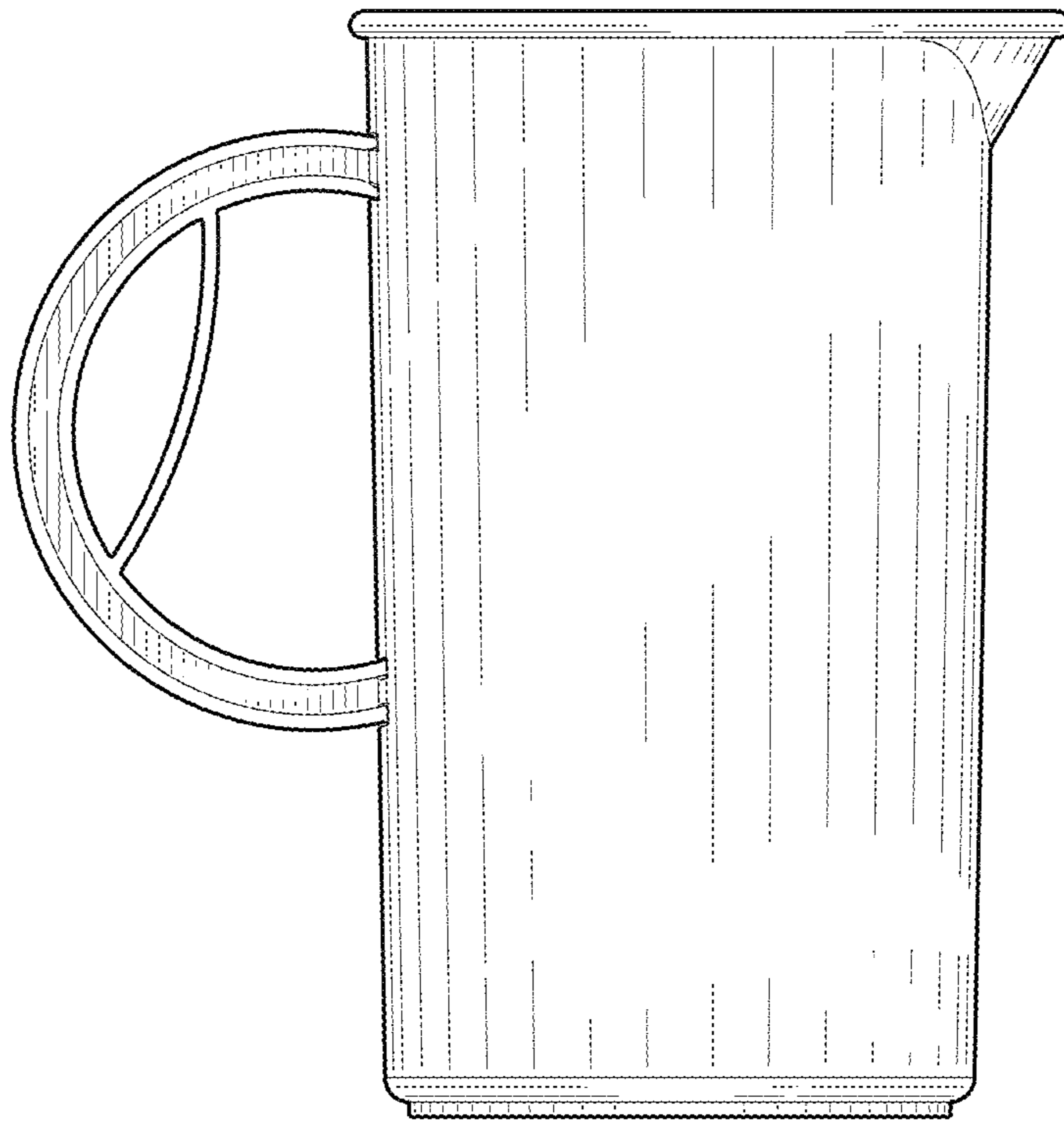


FIG. 3

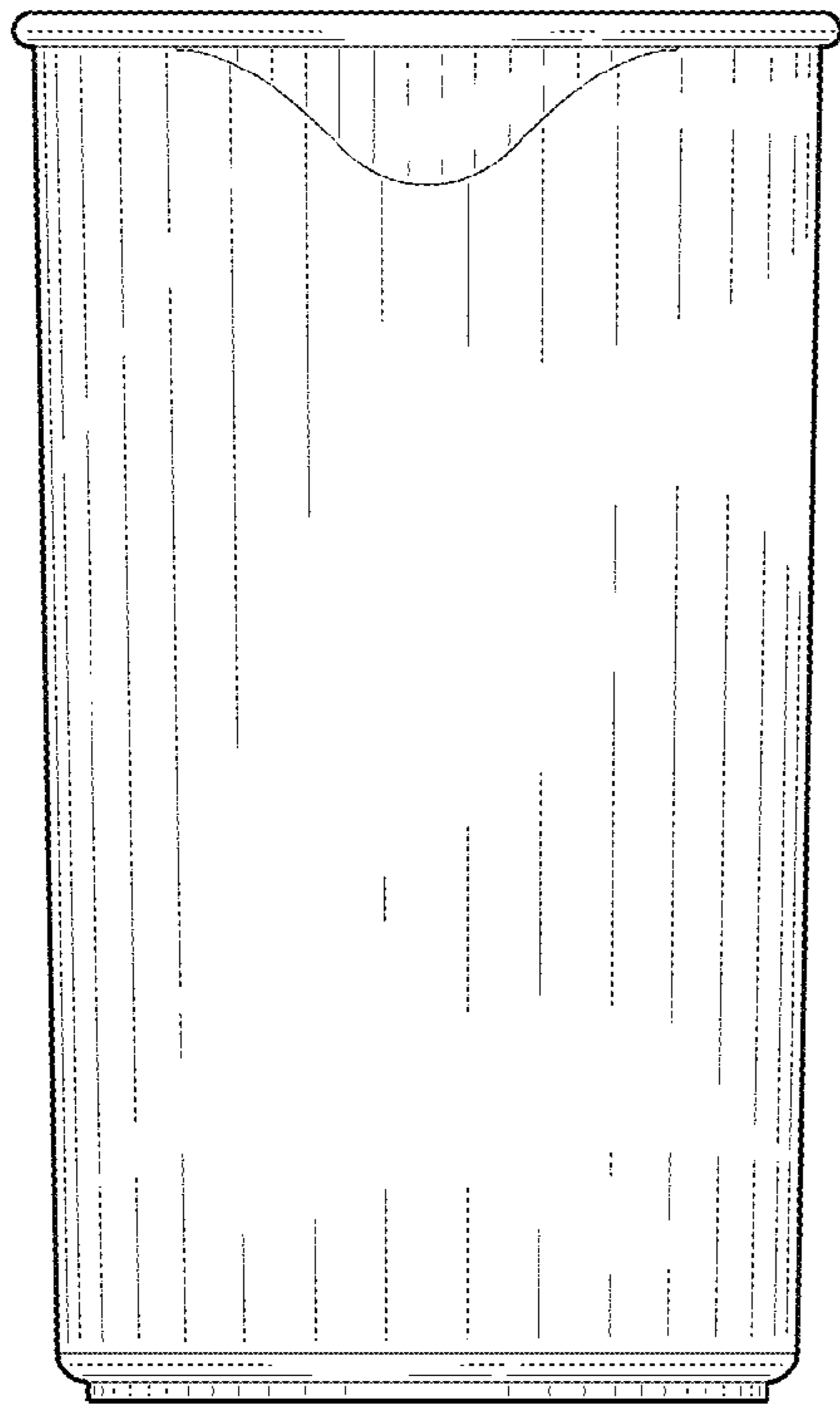


FIG. 4

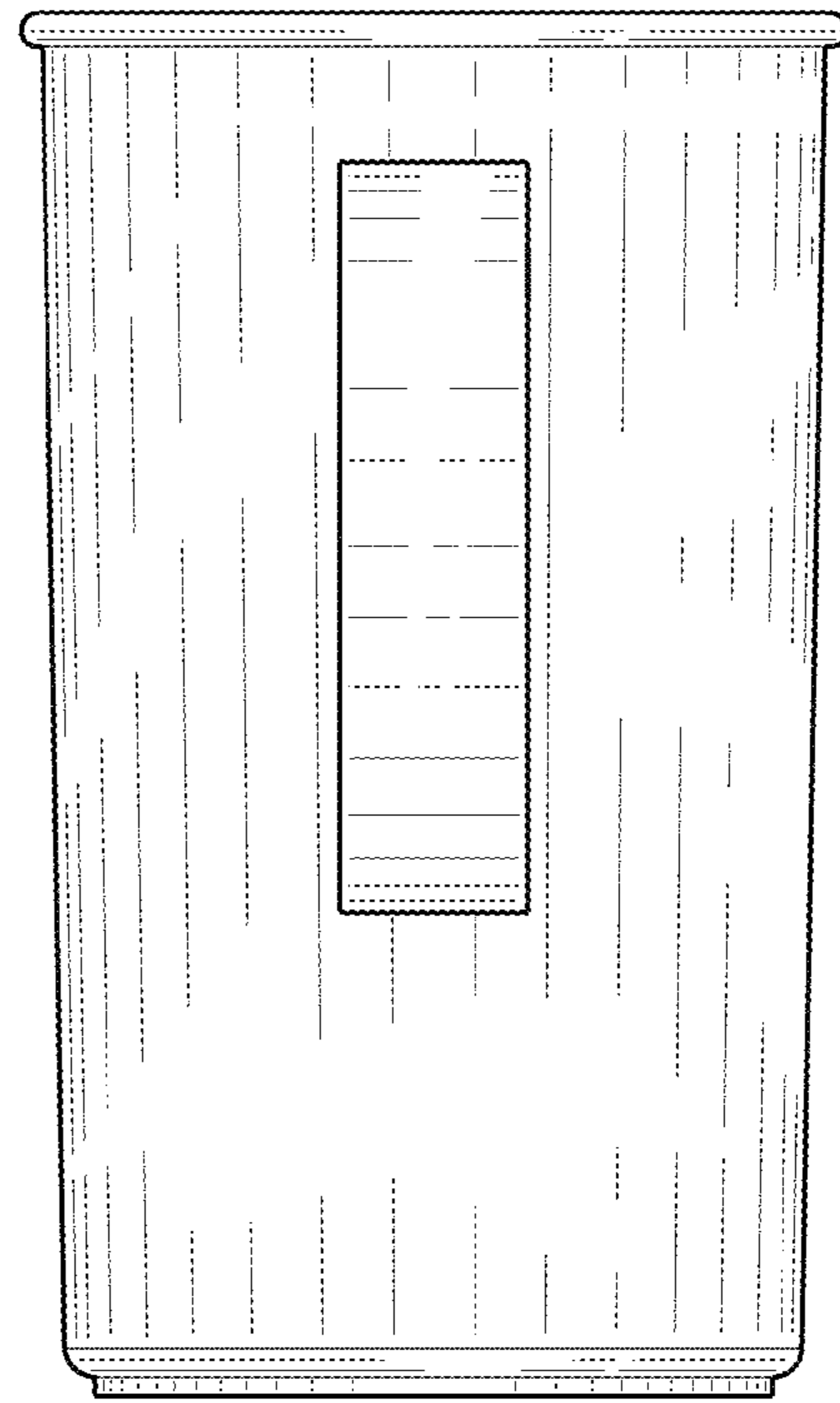


FIG. 5

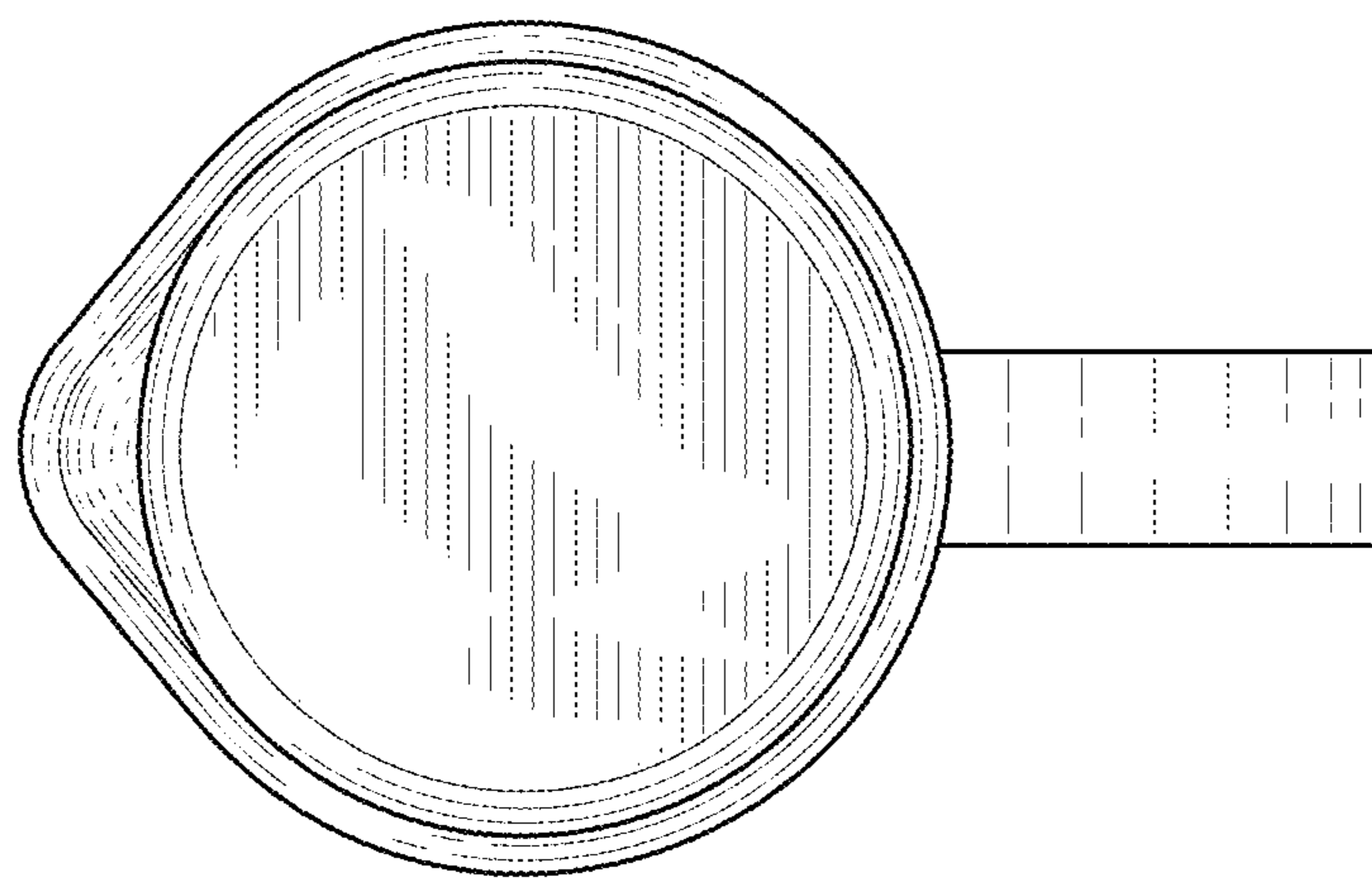


FIG. 6

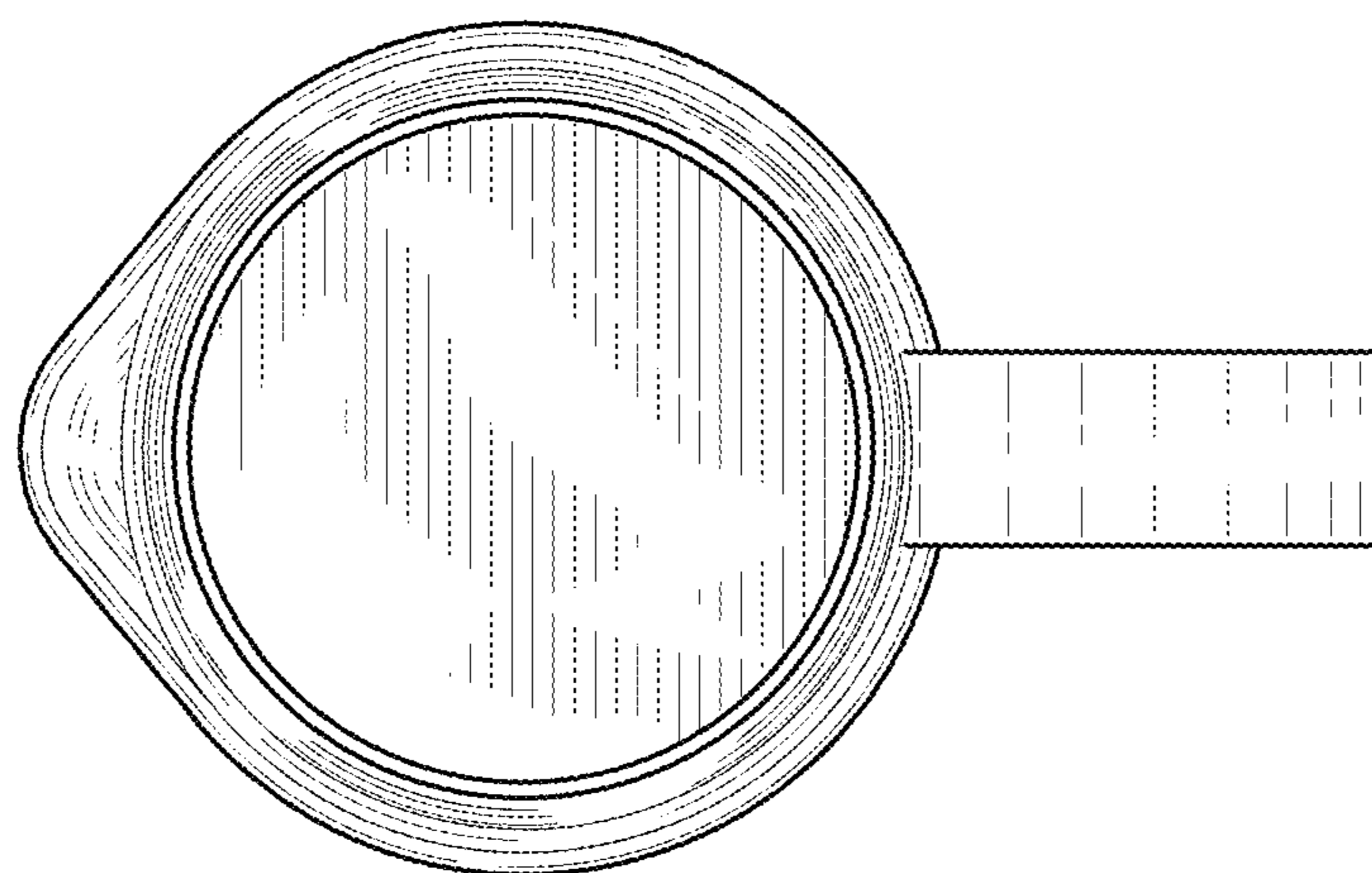


FIG. 7