



US00D754476S

(12) **United States Design Patent**
Crookshanks et al.

(10) **Patent No.:** **US D754,476 S**

(45) **Date of Patent:** **** Apr. 26, 2016**

(54) **APPLIANCE**

- (71) Applicant: **Electrolux Home Products, Inc.**,
Cleveland, OH (US)
- (72) Inventors: **Kent Allen Stephen Crookshanks**,
Anderson, SC (US); **Daniel Hartley**
Green, Nashville, TN (US); **Vittorio**
Cascianelli, Anderson, SC (US)
- (73) Assignee: **Electrolux Home Products, Inc.**,
Cleveland, OH (US)
- (**) Term: **14 Years**
- (21) Appl. No.: **29/476,117**
- (22) Filed: **Dec. 11, 2013**

Related U.S. Application Data

- (63) Continuation of application No. 29/401,007, filed on Sep. 6, 2011, now abandoned, which is a continuation of application No. 29/306,654, filed on Apr. 14, 2008, now Pat. No. Des. 644,487.
- (51) **LOC (10) Cl.** **07-02**
- (52) **U.S. Cl.**
USPC **D7/405**
- (58) **Field of Classification Search**
USPC D7/323, 339, 340, 341, 342, 346, 347,
D7/348, 349, 402-409; 126/1 R, 19 R, 39 R,
126/39 J, 41 R, 211, 273 R, 198, 152 R,
126/214 R, 21 R, 299 C, 299 D; 219/446.1,
219/538, 552
CPC F24C 7/08; F24C 15/10; F24C 3/124;
F24C 7/082; F24C 15/12; F24C 15/2007
See application file for complete search history.

(56) **References Cited**

U.S. PATENT DOCUMENTS

D477,177	S	*	7/2003	Jeong	D7/340
D521,317	S	*	5/2006	Hessen	D7/340
D525,830	S	*	8/2006	Pryor	D7/405
D530,152	S	*	10/2006	Pryor	D7/405
D536,207	S	*	2/2007	Ostlund	D7/340
D536,208	S	*	2/2007	Ostlund	D7/340
D536,568	S	*	2/2007	Ostlund	D7/340
D604,987	S	*	12/2009	Jung	D7/348
D623,889	S	*	9/2010	Kim	D7/340
7,878,189	B2	*	2/2011	Lee	F24C 3/067 126/21 A
D653,900	S	*	2/2012	Kim	D7/340
D655,128	S	*	3/2012	Kim	D7/340
D704,978	S	*	5/2014	Kim	D7/346
D710,644	S	*	8/2014	Kim	D7/340
D710,645	S	*	8/2014	Kim	D7/340
D731,844	S	*	6/2015	Kim	D7/340
D731,845	S	*	6/2015	Kim	D7/348
D736,027	S	*	8/2015	Funnell, II	D7/339

* cited by examiner

Primary Examiner — T. Chase Nelson

Assistant Examiner — Mark Cavanna

(74) *Attorney, Agent, or Firm* — Banner & Witcoff, Ltd.

(57) **CLAIM**

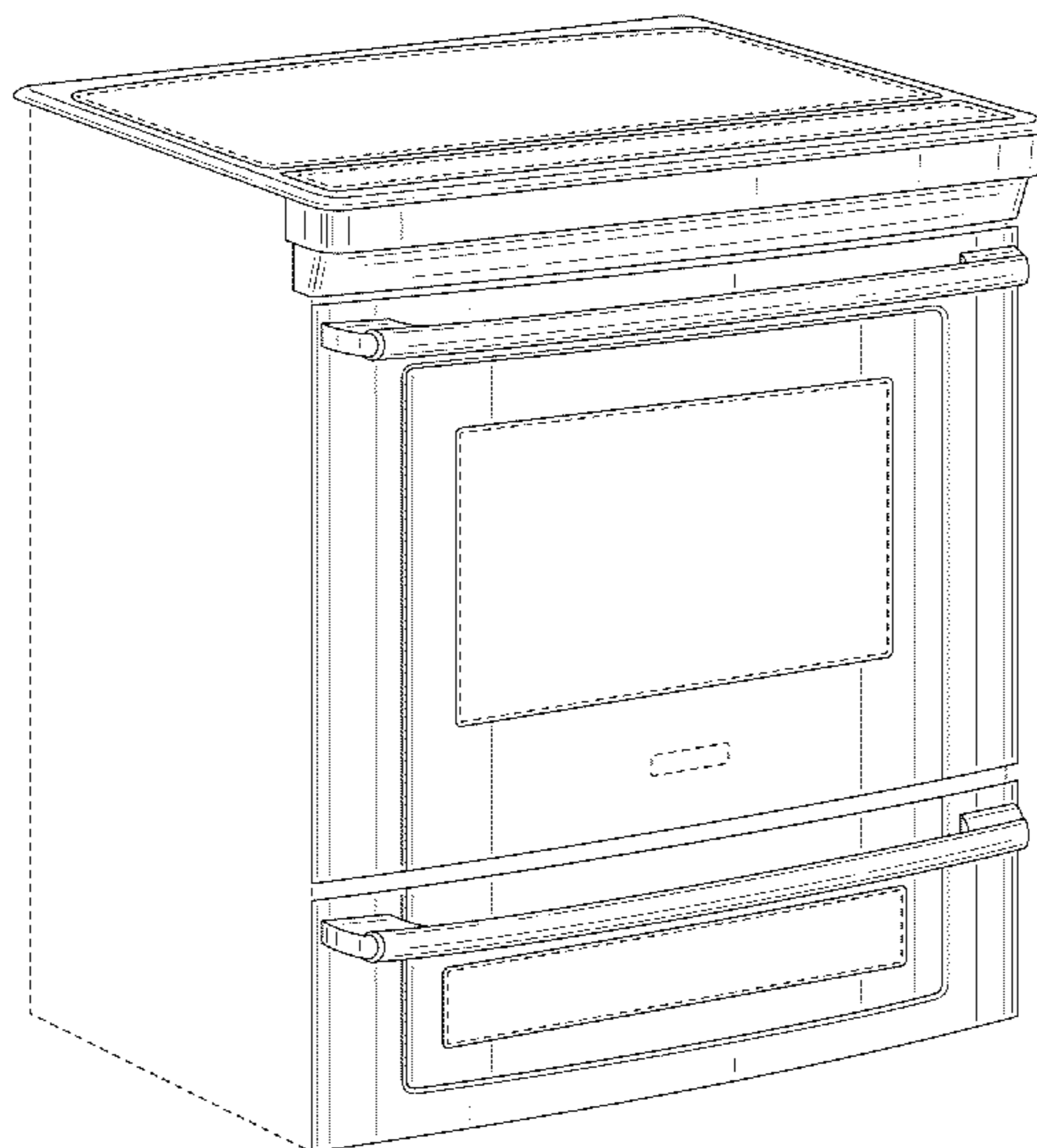
The ornamental design for an appliance, as shown and described.

DESCRIPTION

FIG. 1 is a front view of an appliance showing the new design; FIG. 2 is a perspective view thereof; FIG. 3 is a left side view thereof; FIG. 4 is a right side view thereof; and, FIG. 5 is a top view thereof.

The unshown bottom and rear of the appliance forms no part of the claimed design. The broken line showing of various portion of the appliance, including the unshaded areas therein, is for illustrative purposes only and forms no part of the claimed design.

1 Claim, 5 Drawing Sheets



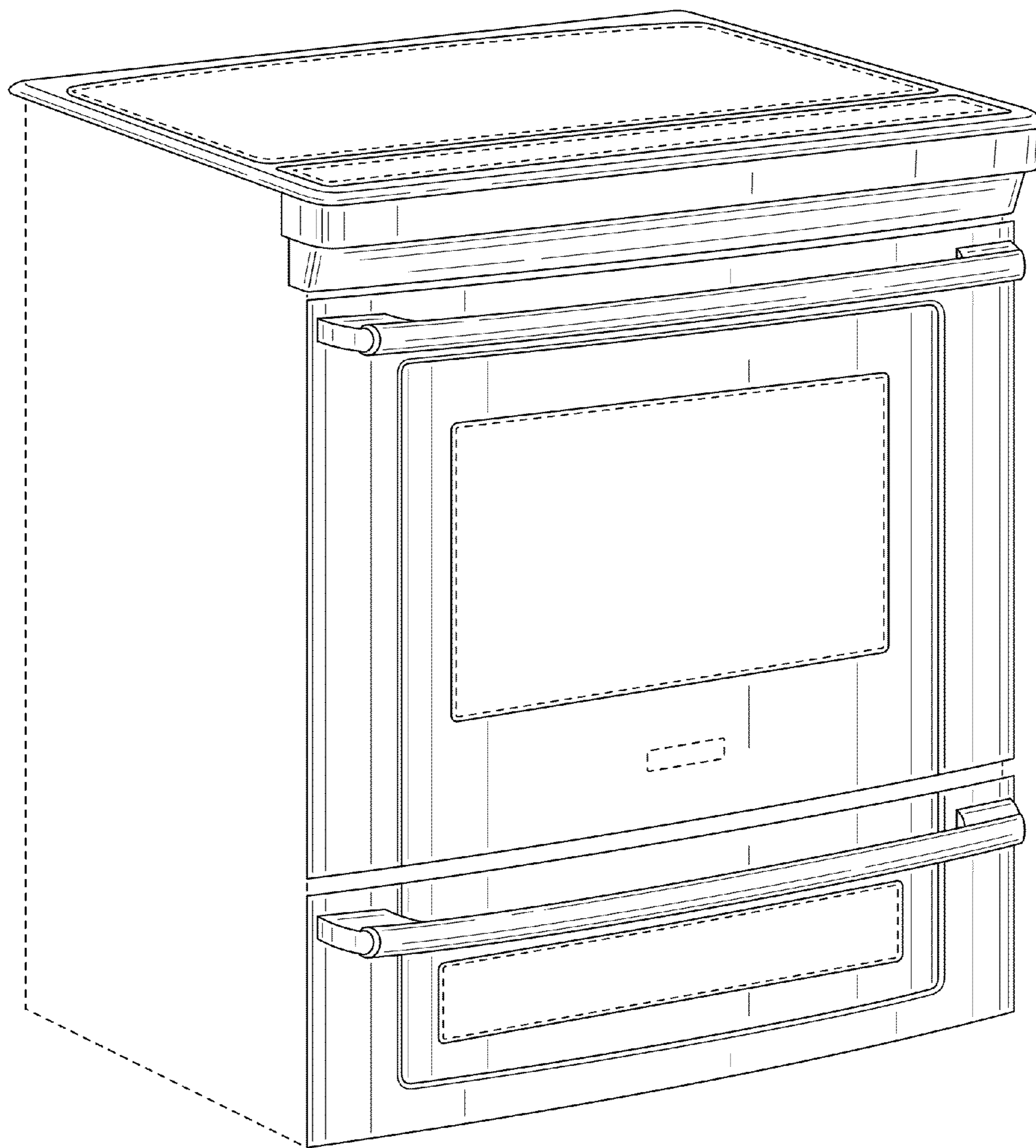


FIG. 1

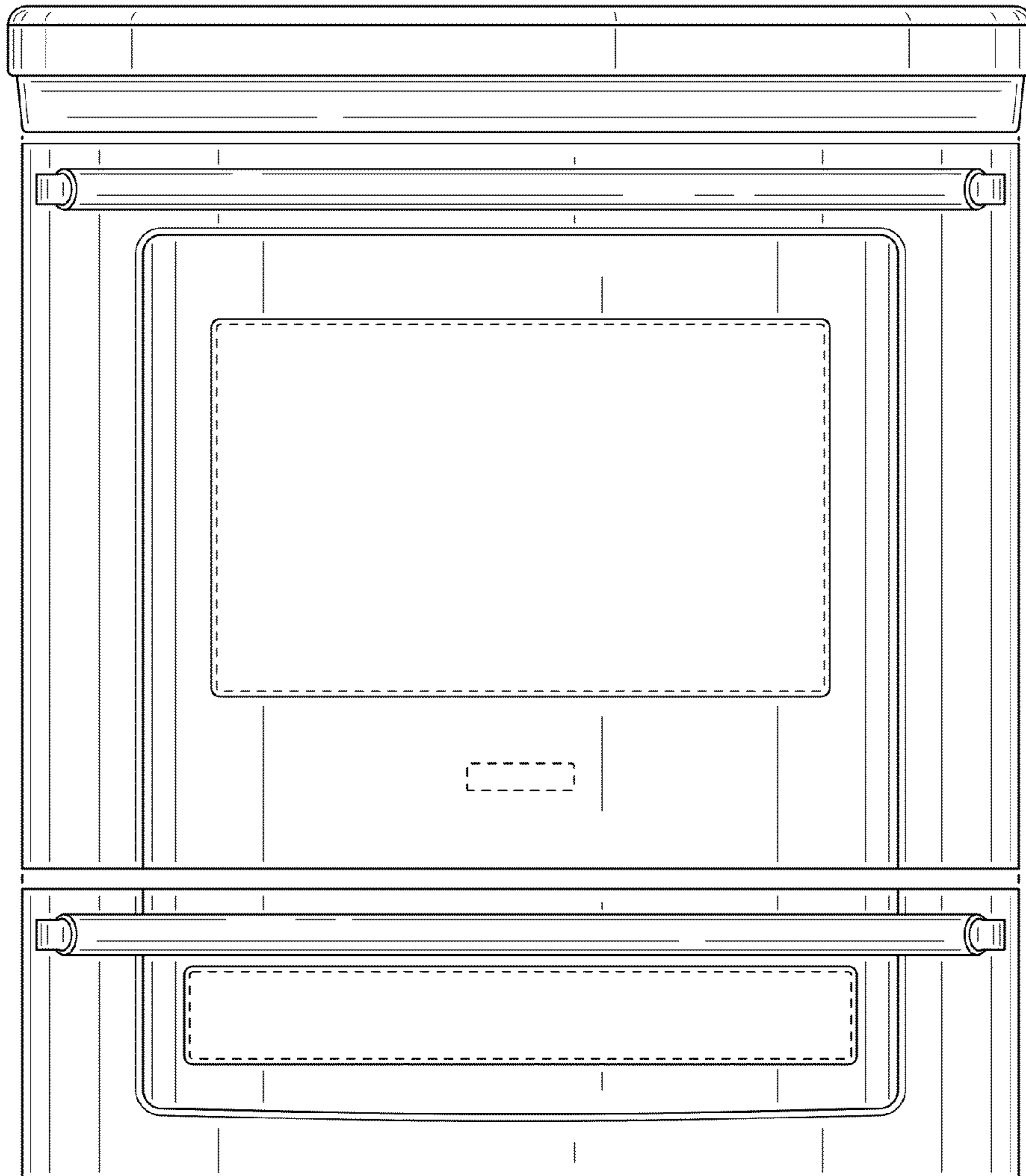


FIG. 2

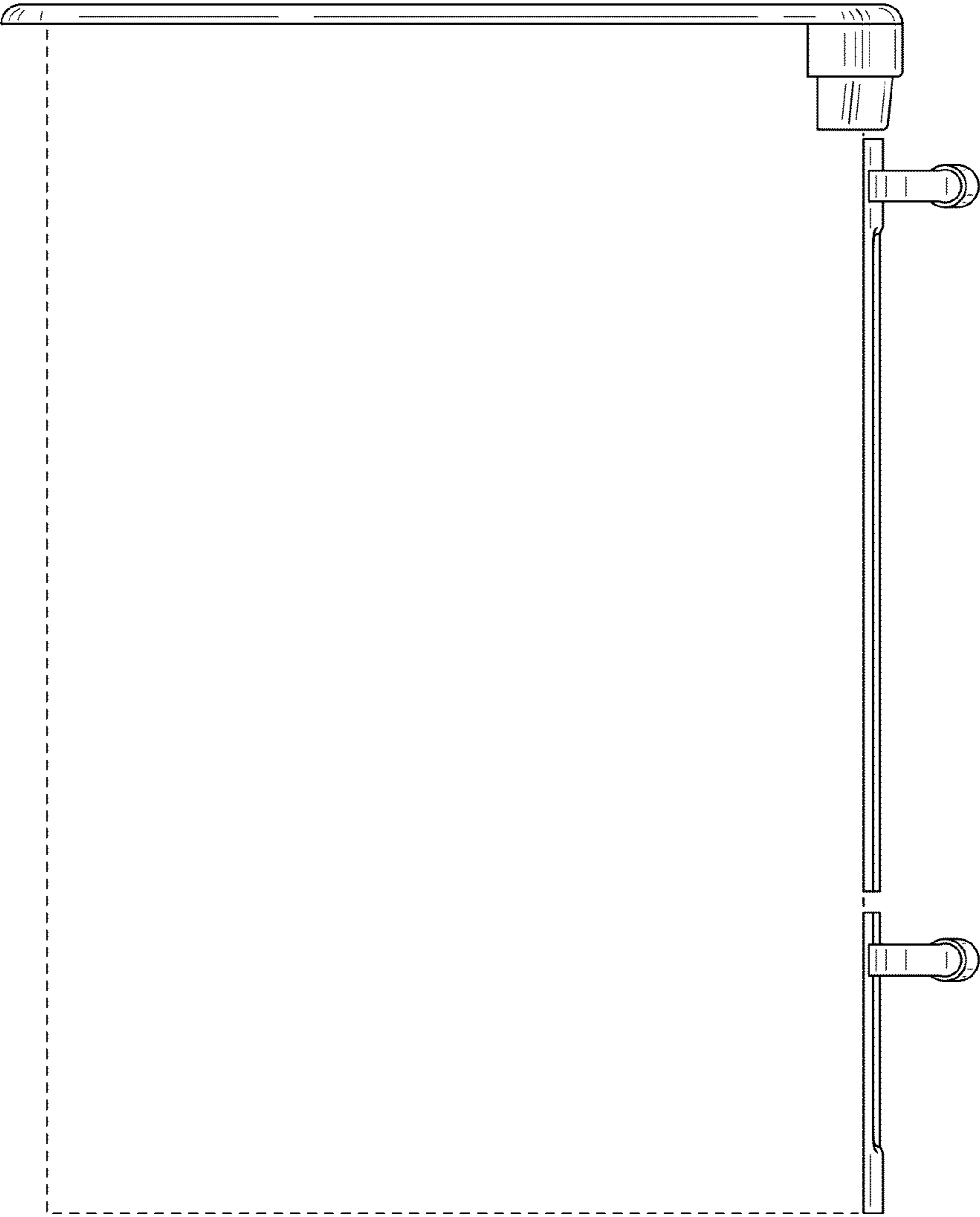


FIG. 3

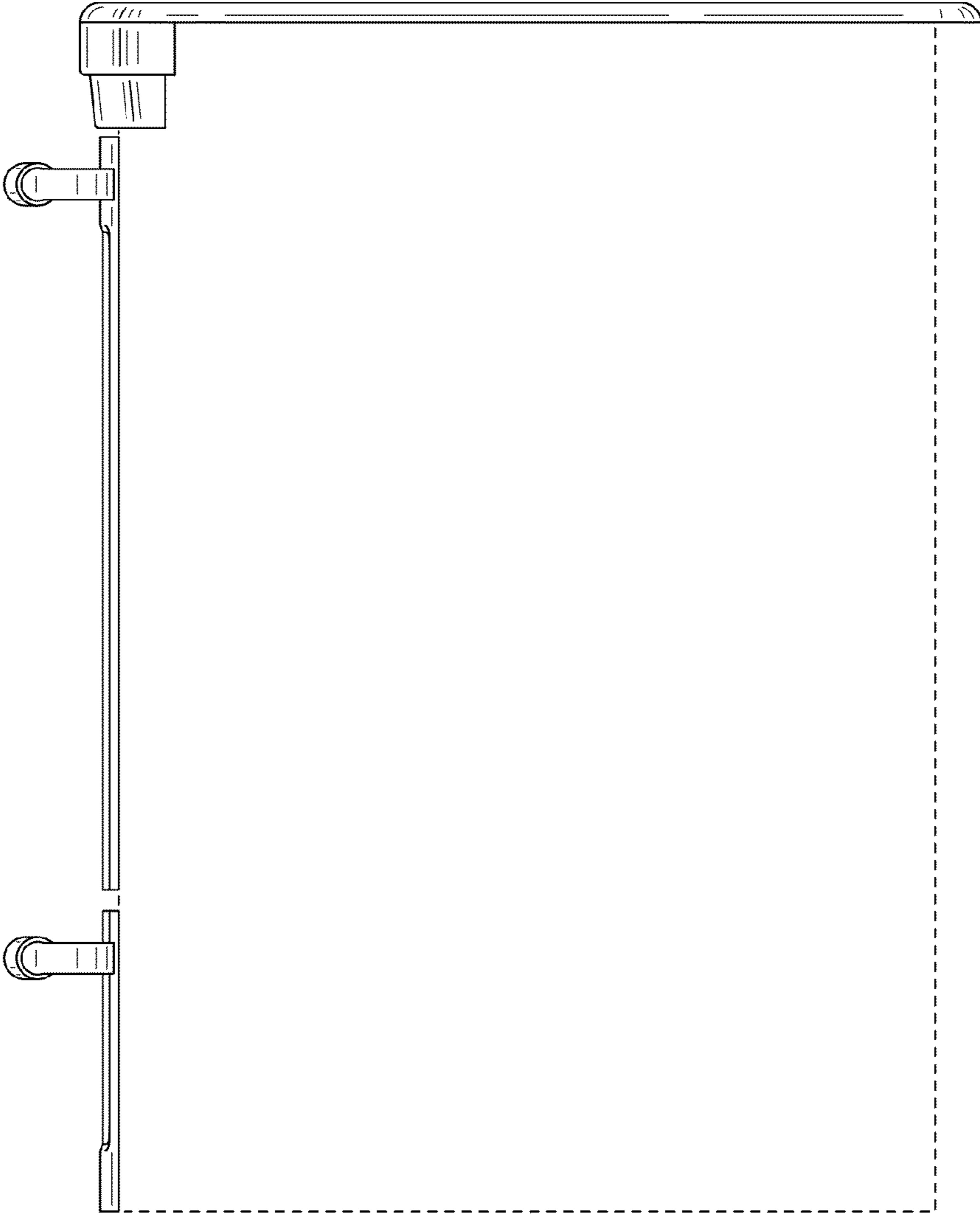


FIG. 4

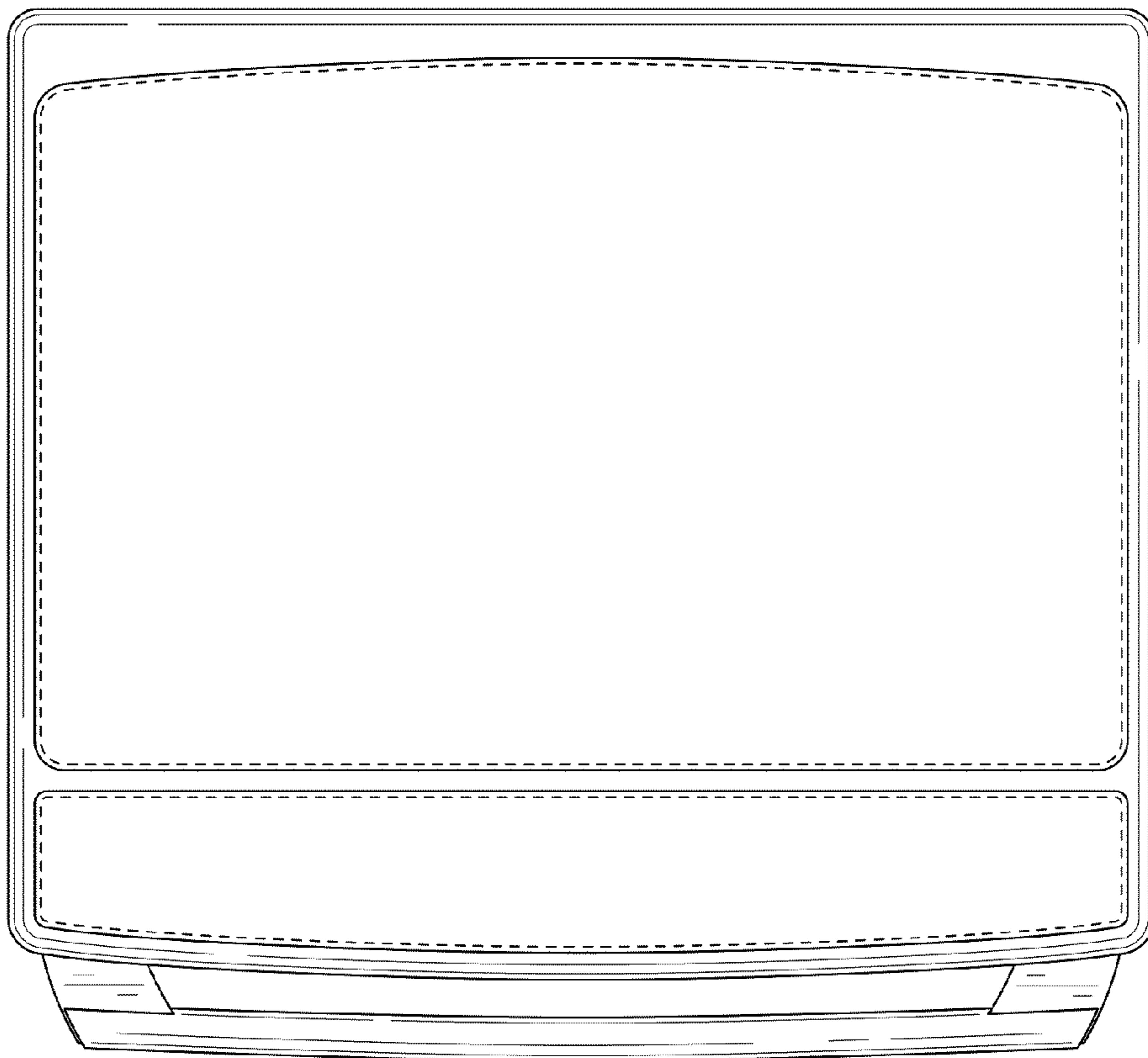


FIG. 5