



US00D754475S

(12) **United States Design Patent**  
**Pontano**

(10) **Patent No.:** **US D754,475 S**  
(45) **Date of Patent:** **\*\* Apr. 26, 2016**

- (54) **STOWED PORTABLE GRILL**
- (71) Applicant: **Industrial Revolution, Inc.**, Tukwila, WA (US)
- (72) Inventor: **Peter Pontano**, Seattle, WA (US)
- (73) Assignee: **Industrial Revolution, Inc.**, Tukwila, WA (US)
- (\*\*) Term: **14 Years**
- (21) Appl. No.: **29/495,939**
- (22) Filed: **Jul. 7, 2014**
- (51) **LOC (10) Cl.** ..... **07-02**
- (52) **U.S. Cl.**  
USPC ..... **D7/402**
- (58) **Field of Classification Search**  
USPC ..... D7/332, 334–337, 402–405, 417, 338, D7/348; 126/275 E; D9/433  
CPC ..... A47J 37/0704; A47J 37/0763; A47J 37/0745; A47J 37/0713; A47J 37/0768; A47J 37/079; A47J 36/26; A47J 39/00; F24B 1/205; F24B 1/02; F24B 15/04; F24C 3/14; F24C 3/027; F24C 15/08; B65D 7/26; B65D 7/24; B65D 85/1045; B65D 85/18; A23B 4/052  
See application file for complete search history.

8,590,446	B1 *	11/2013	Bussis	.....	A22C 7/00
					99/419
2002/0148457	A1 *	10/2002	Rice	.....	F24C 1/16
					126/9 R
2005/0279341	A1 *	12/2005	Chung	.....	A47J 37/0704
					126/9 R
2006/0150963	A1 *	7/2006	Barron	.....	A47J 33/00
					126/9 R
2006/0272630	A1 *	12/2006	Sanders	.....	A47J 33/00
					126/9 R
2007/0095336	A1	5/2007	Pfuller		
2014/0251302	A1 *	9/2014	Ahmed	.....	A47J 37/0713
					126/25 R
2015/0208848	A1 *	7/2015	Huang	.....	F24J 2/36
					99/403

\* cited by examiner

*Primary Examiner* — Ruth McInroy  
(74) *Attorney, Agent, or Firm* — David Chen; DWC Law Firm, P.S.

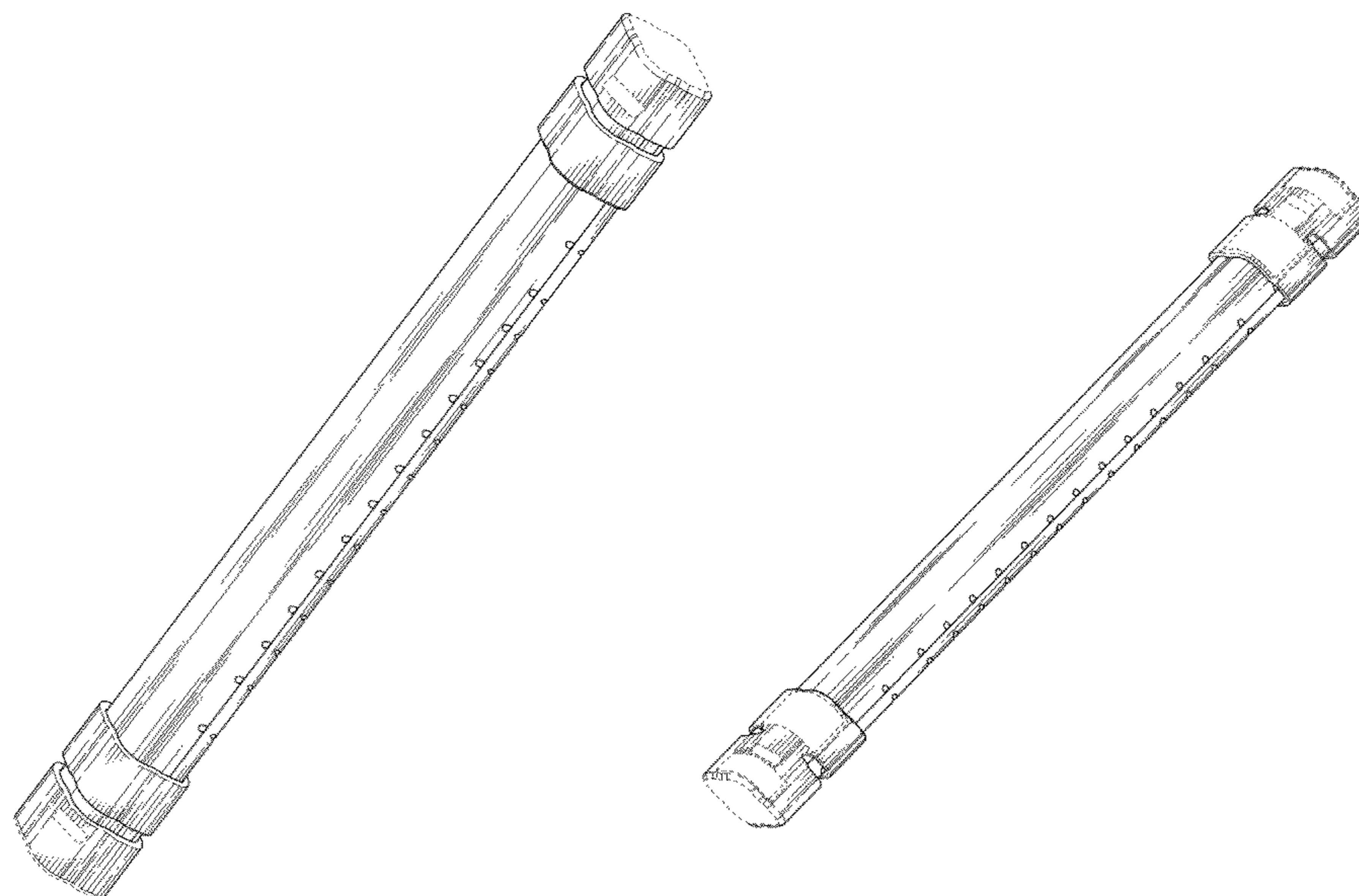
(57) **CLAIM**  
The ornamental design for a stowed portable grill, as shown and described.

**DESCRIPTION**

FIG. 1 is a top perspective view of a stowed portable grill showing my new design;  
FIG. 2 is a bottom perspective view thereof;  
FIG. 3 is a front elevation view thereof;  
FIG. 4 is a rear elevation view thereof;  
FIG. 5 is a left side elevation view thereof;  
FIG. 6 is a right side elevation view thereof;  
FIG. 7 is a top plan view thereof; and,  
FIG. 8 is a bottom plan view thereof.  
The broken lines in the drawings illustrate portions of the stowed portable grill which form no part of the claimed design.

**1 Claim, 7 Drawing Sheets**

- (56) **References Cited**  
U.S. PATENT DOCUMENTS
- |           |     |         |         |       |           |
|-----------|-----|---------|---------|-------|-----------|
| 3,812,836 | A * | 5/1974  | Jackson | ..... | F24C 1/16 |
|           |     |         |         |       | 126/9 R   |
| D369,513  | S * | 5/1996  | Hirt    | ..... | D7/403    |
| D375,020  | S * | 10/1996 | Cothorn | ..... | D7/402    |
| 5,685,288 | A * | 11/1997 | Sibley  | ..... | F24C 3/14 |
|           |     |         |         |       | 126/226   |
| 6,546,851 | B1  | 4/2003  | Osborne |       |           |



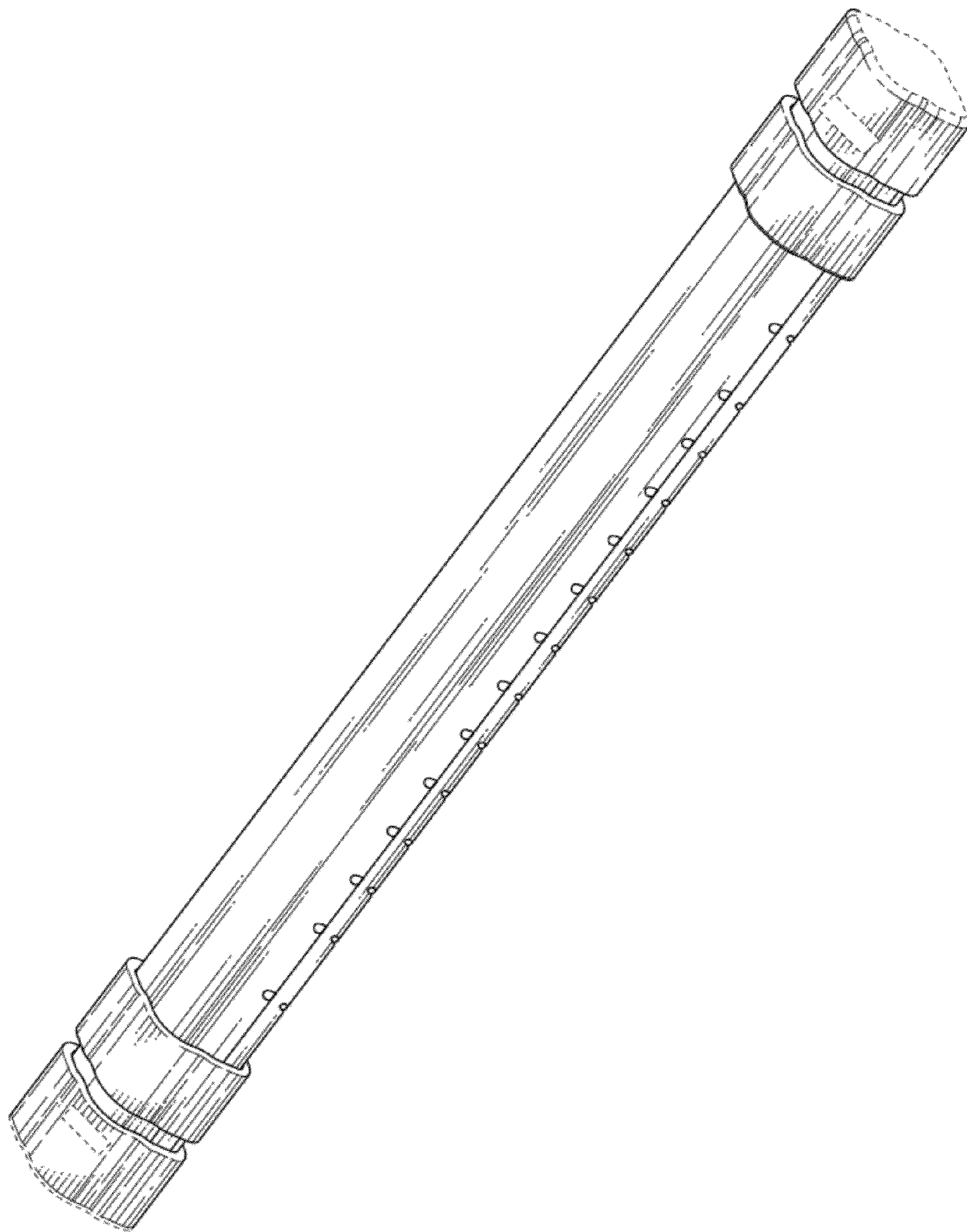


FIG. 1

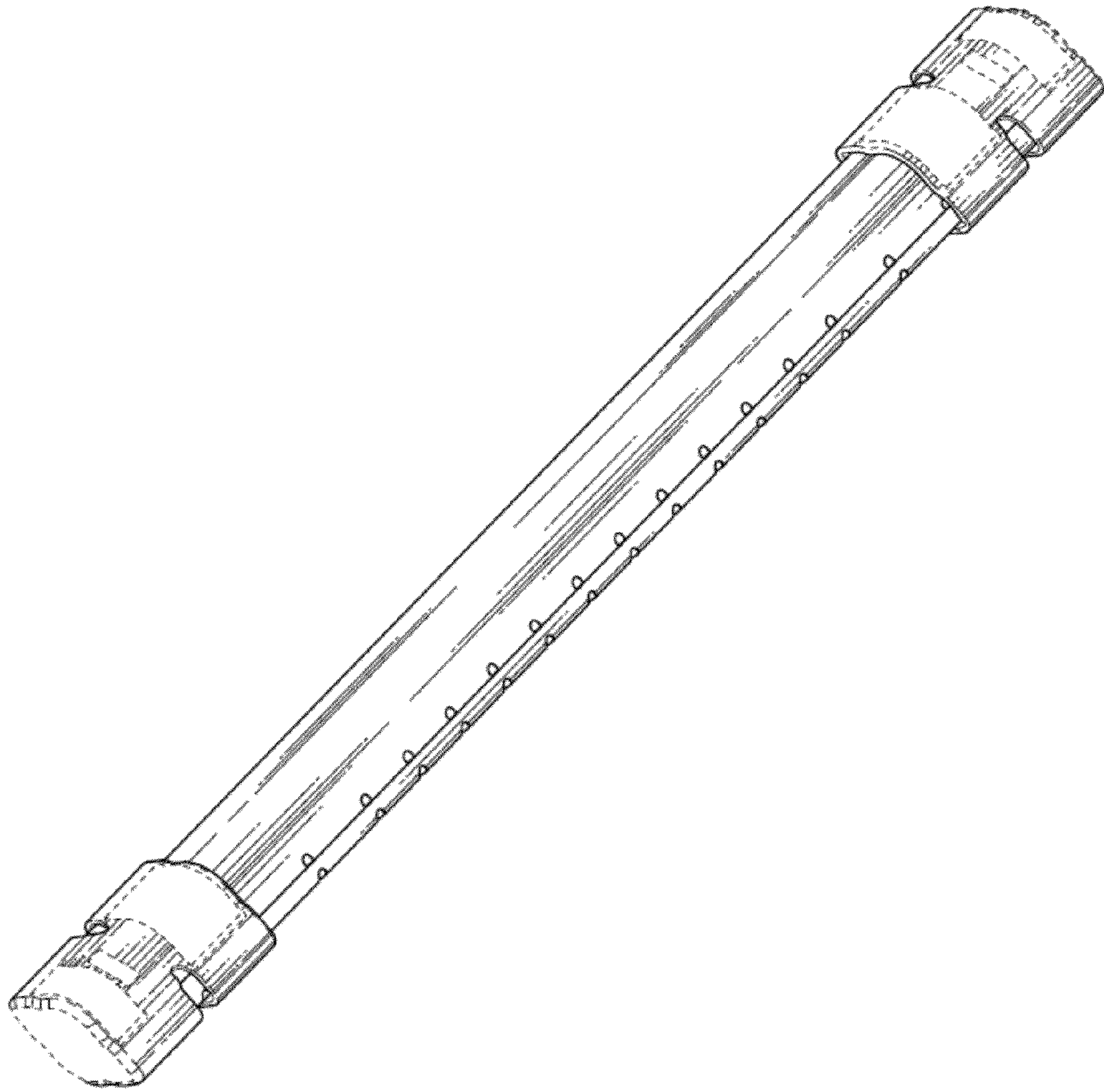
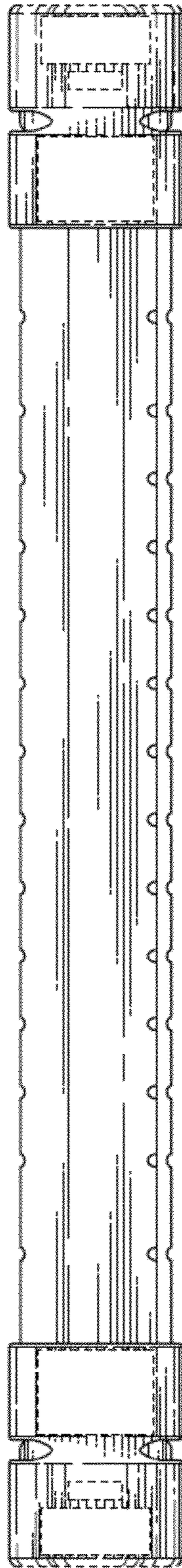
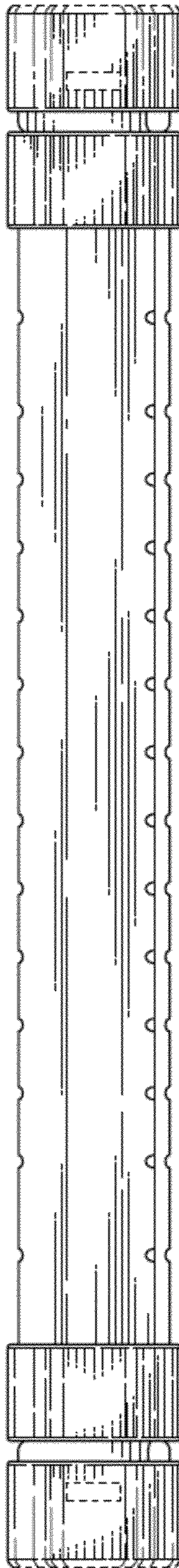


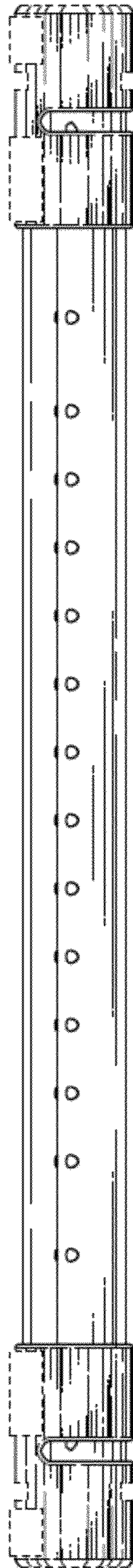
FIG. 2



*FIG. 3*



*FIG. 4*



*FIG. 5*

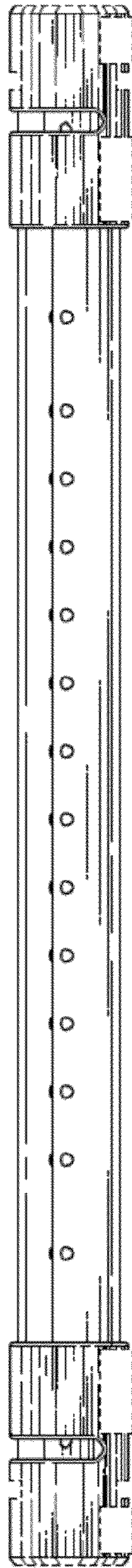
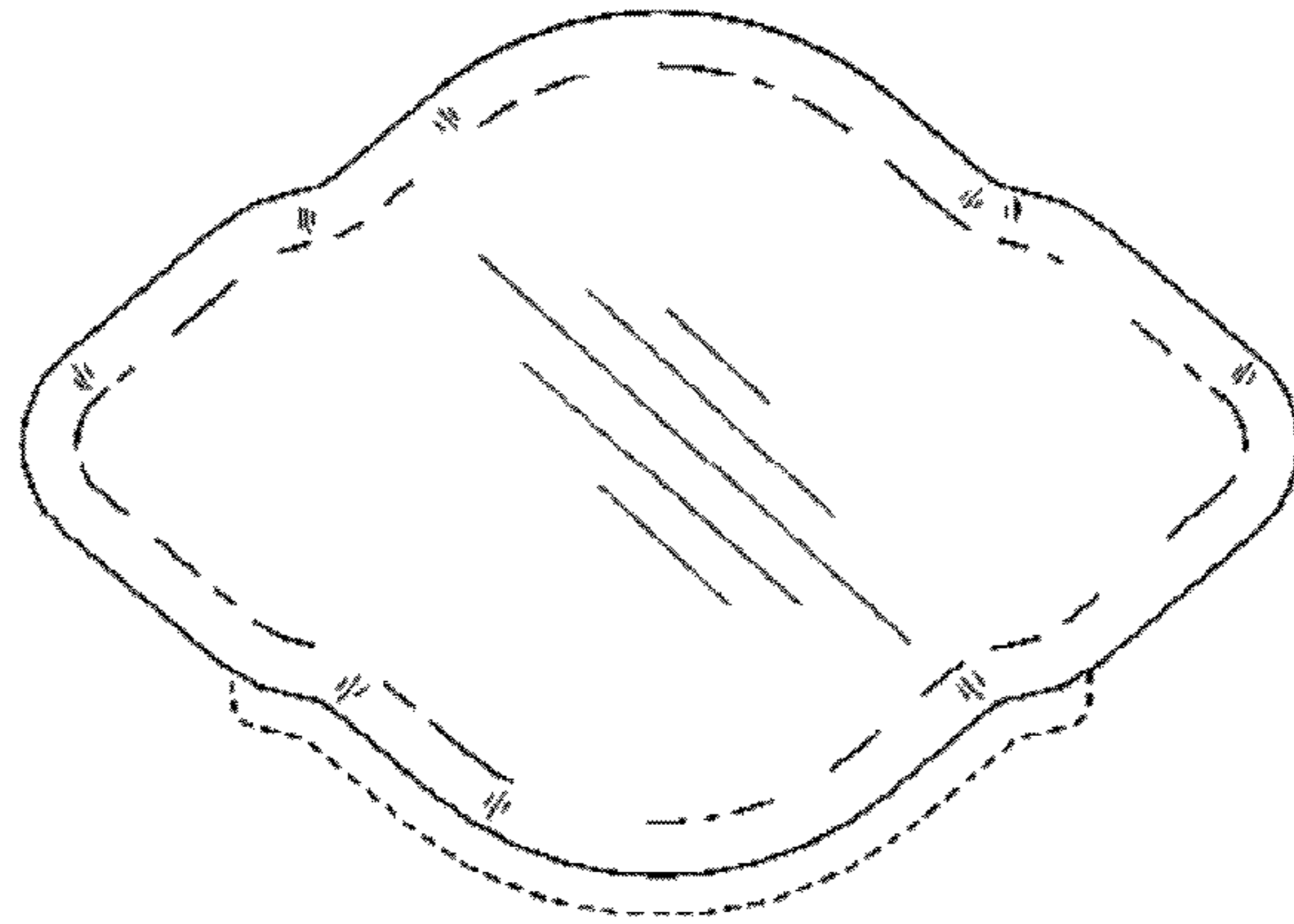
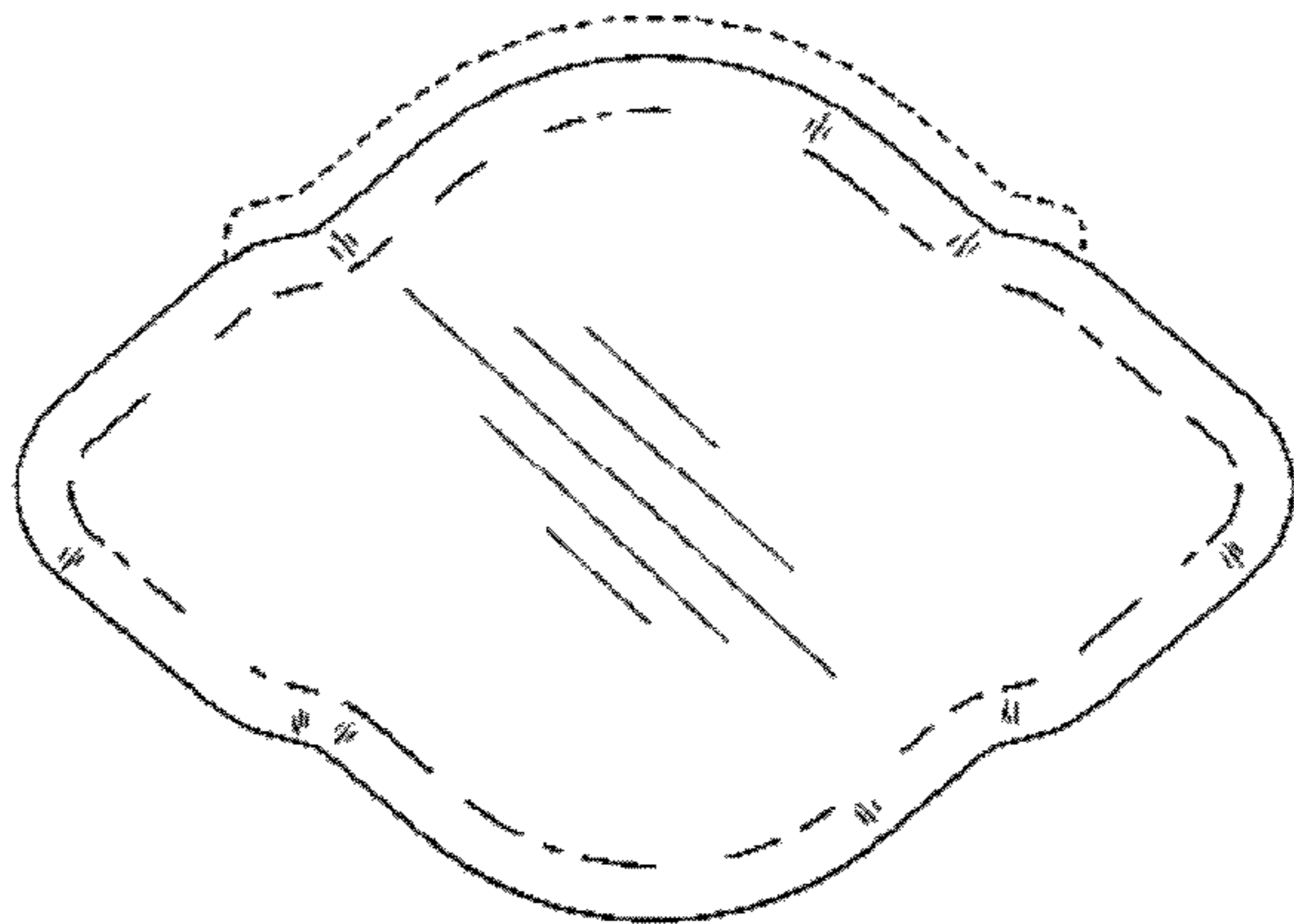


FIG. 6



*FIG. 7*



*FIG. 8*