



US00D754474S

(12) **United States Design Patent**
Minica et al.

(10) **Patent No.:** **US D754,474 S**

(45) **Date of Patent:** **** *Apr. 26, 2016**

(54) **VALVE FOR DISPENSING BEVERAGES**

(56) **References Cited**

(71) Applicant: **Schroeder Industries, Inc.**, San Antonio, TX (US)

U.S. PATENT DOCUMENTS

(72) Inventors: **Jason Minica**, Schertz, TX (US); **David Santy**, Converse, TX (US)

D90,448	S	*	8/1933	Muend	D7/398
2,058,631	A	*	10/1936	Rice	251/48
D187,905	S	*	5/1960	Seltsam	D7/398
D378,400	S	*	3/1997	Kowalics	D23/238
D482,235	S	*	11/2003	Yui	D7/398
D489,930	S	*	5/2004	Tse	D7/306
D526,563	S	*	8/2006	Halfacre et al.	D9/447
D582,209	S	*	12/2008	Thomas	D7/398
D587,964	S	*	3/2009	Thomas	D7/398
D637,867	S	*	5/2011	Wang	D7/398
D640,897	S	*	7/2011	Chung	D7/398

(73) Assignee: **Schroeder Industries, Inc.**, San Antonio, TX (US)

(*) Notice: This patent is subject to a terminal disclaimer.

* cited by examiner

(**) Term: **14 Years**

Primary Examiner — Marianne Pandozzi

Assistant Examiner — Jae Liang

(21) Appl. No.: **29/448,414**

(74) *Attorney, Agent, or Firm* — Jackson Walker, LLP

(22) Filed: **Mar. 12, 2013**

(57) **CLAIM**

The ornamental design for a valve for dispensing beverages, as shown and described.

(51) **LOC (10) Cl.** **07-99**

DESCRIPTION

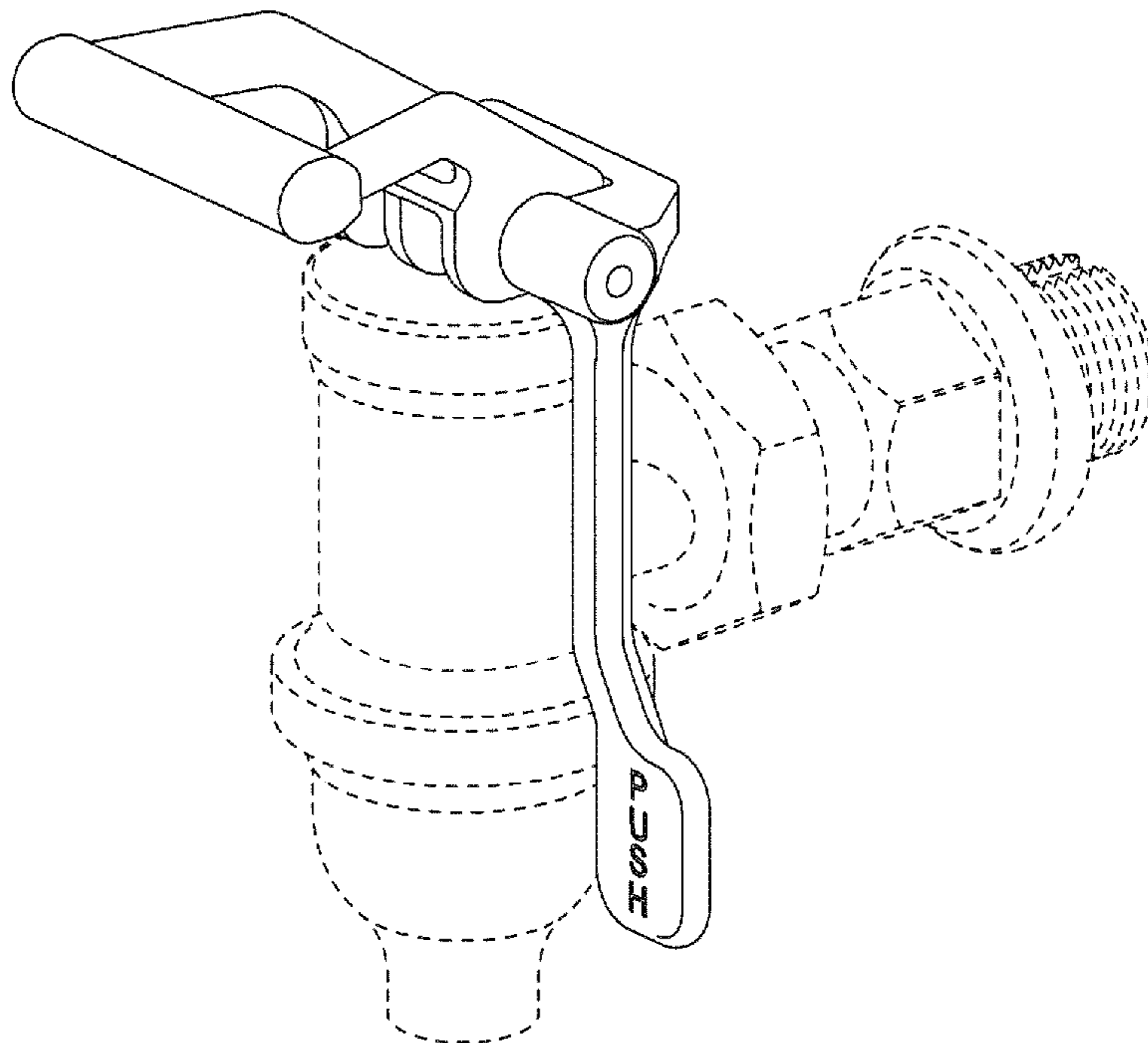
(52) **U.S. Cl.**
USPC **D7/398**; D7/397

(58) **Field of Classification Search**
USPC D7/213, 300, 301, 304, 306, 307, 308, D7/309, 310, 311, 314, 387, 388, 389, 390, D7/397, 398, 399, 400; D23/213, 233, D23/250, 252, 259; 99/275, 280, 323.3; 222/129.1, 144.5; D8/354; 141/362

FIG. 1 is a perspective view of a valve for dispensing beverages showing our new design;
FIG. 2 is a right-side elevational view thereof;
FIG. 3 is a left-side elevational view thereof;
FIG. 4 is a top plan view thereof;
FIG. 5 is a bottom plan view thereof; and,
FIG. 6 is a front elevational view thereof.
The broken lines in the drawings are included for the purpose of illustration and form no part of the claimed design.

See application file for complete search history.

1 Claim, 6 Drawing Sheets



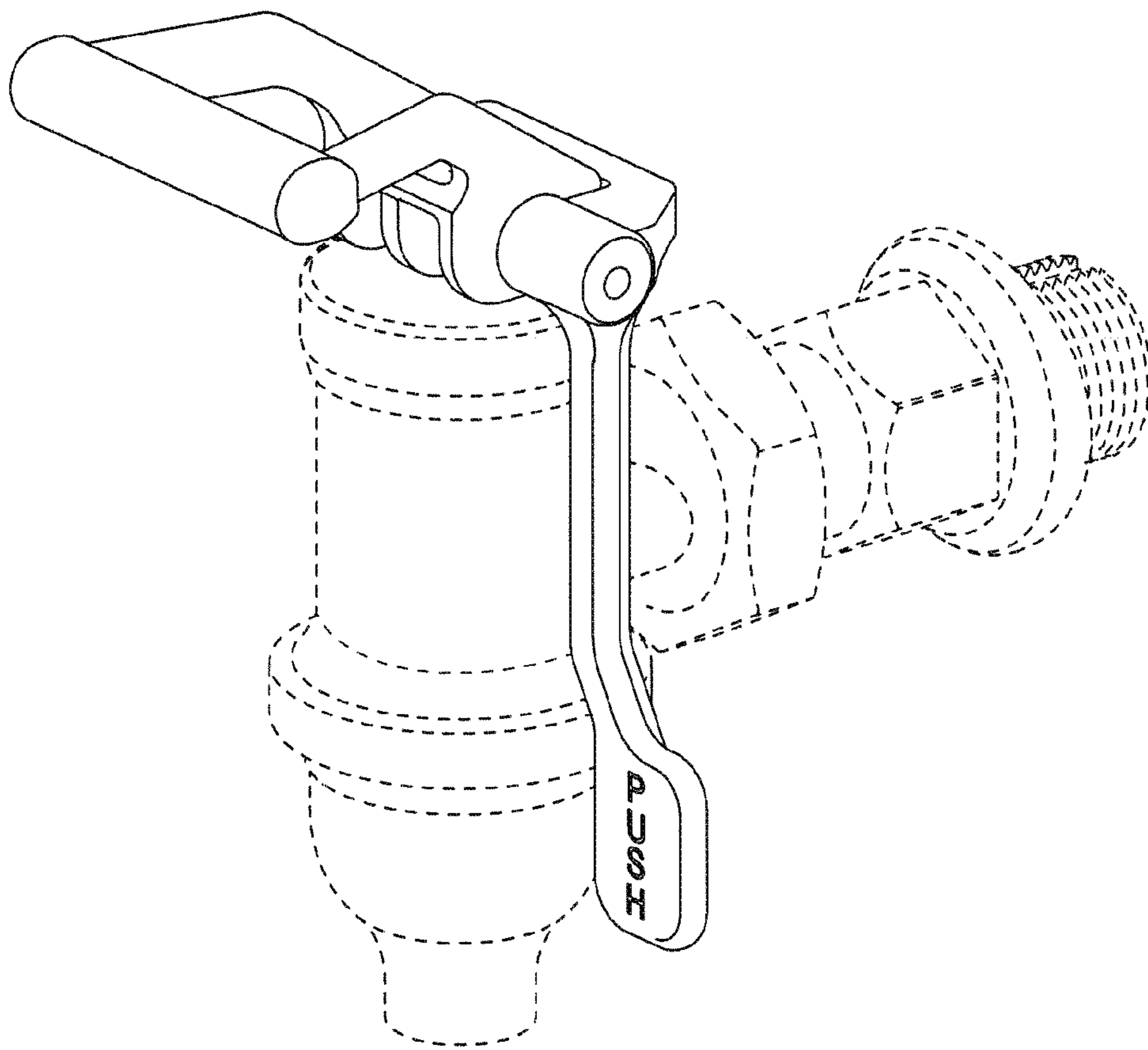


Fig. 1

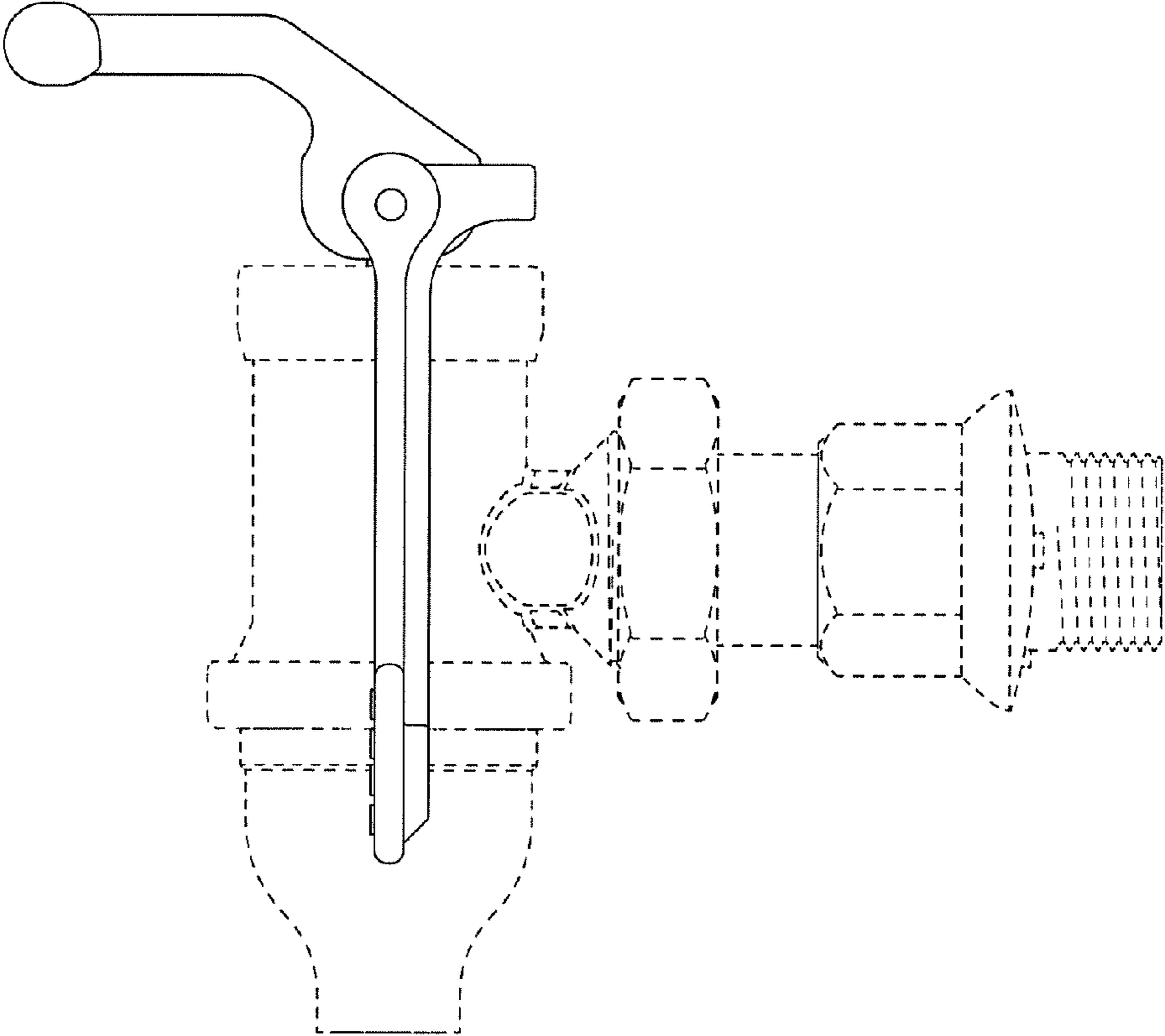


Fig. 2

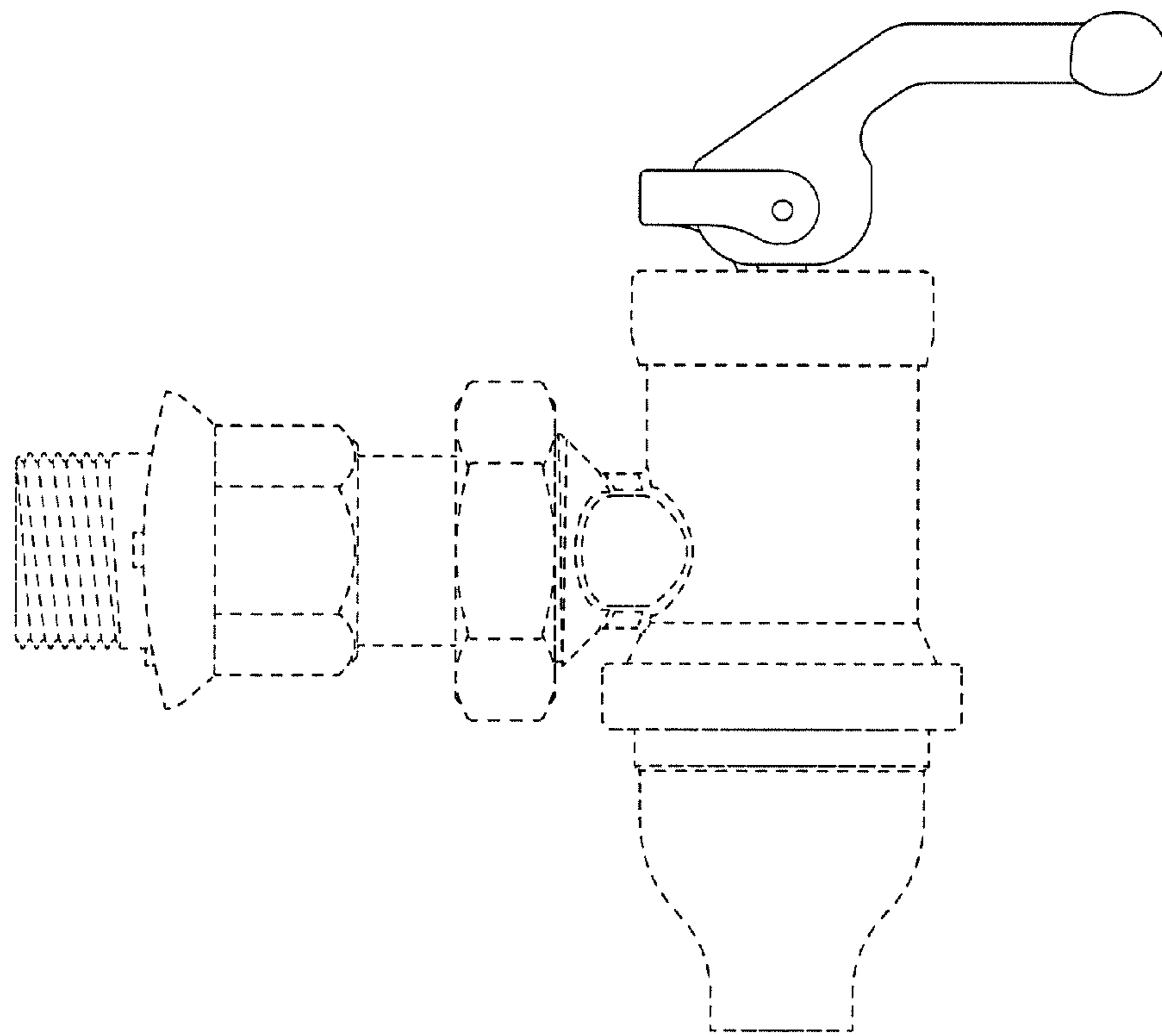


Fig. 3

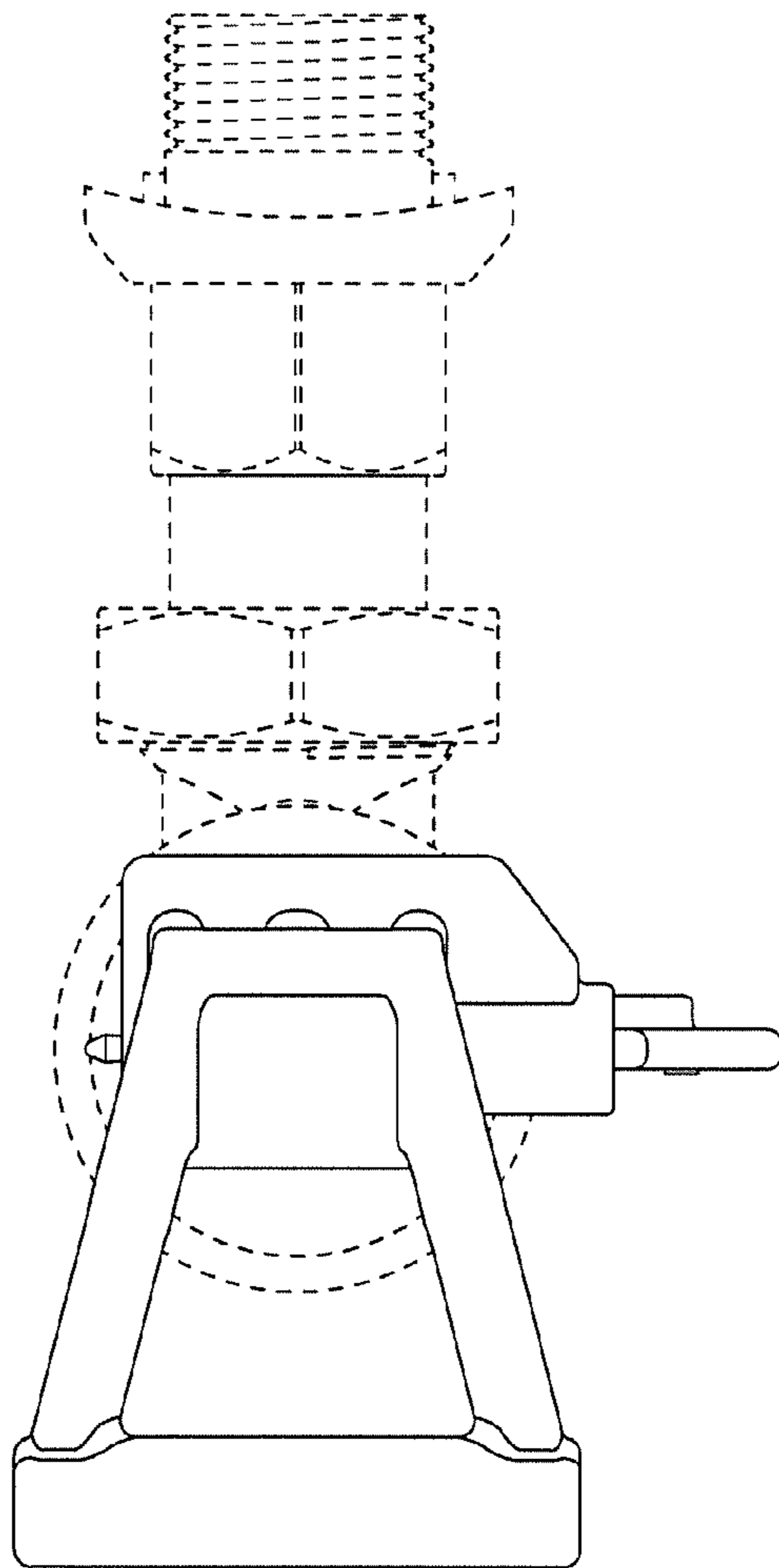


Fig. 4

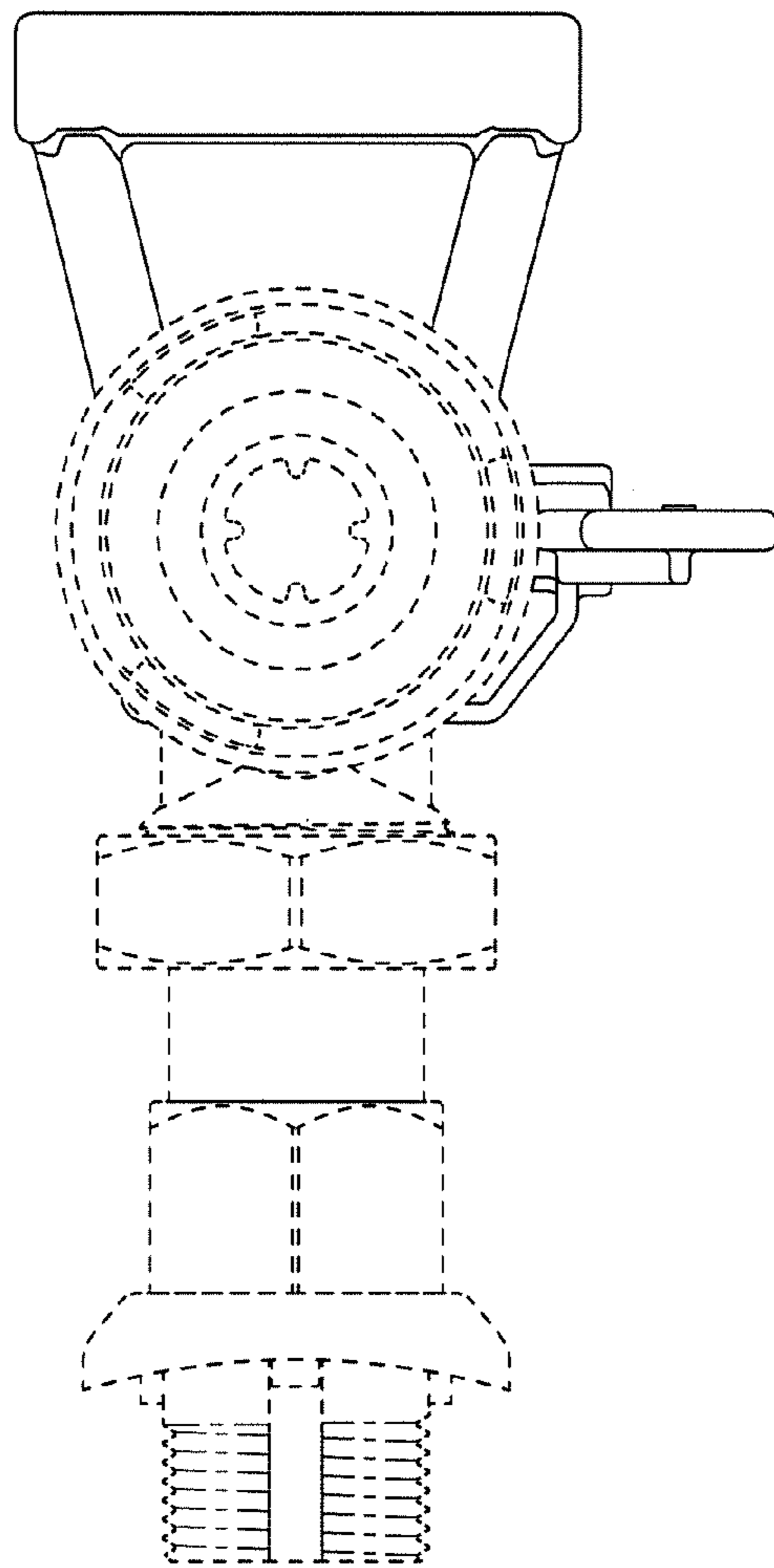


Fig. 5

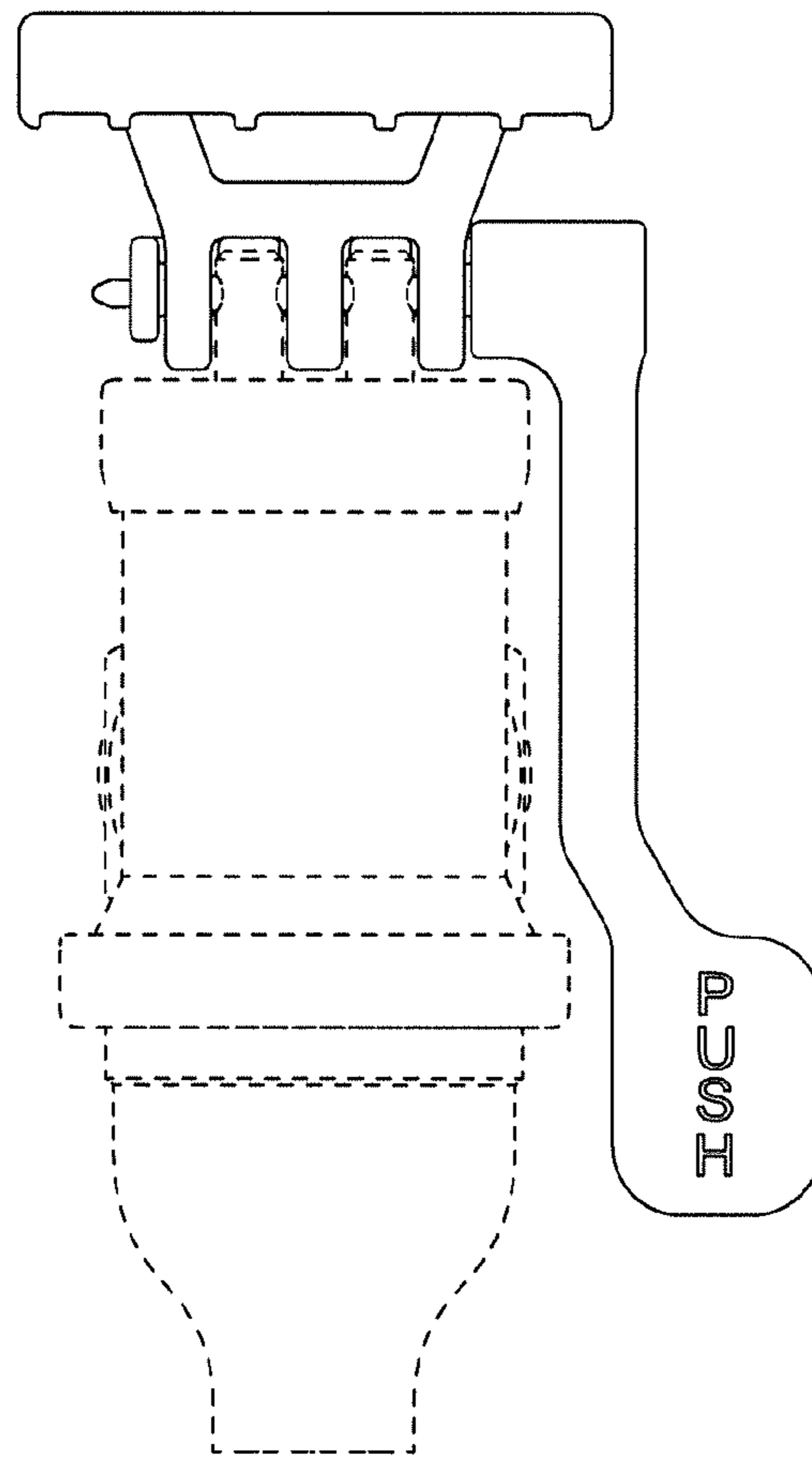


Fig. 6