

US00D754473S

(12) **United States Design Patent**  
**Kunz**

(10) **Patent No.:** **US D754,473 S**  
(45) **Date of Patent:** **\*\* Apr. 26, 2016**

(54) **DECORATION FOR HOUSEHOLD APPLIANCE**

- (71) Applicant: **SEB**, Selongey (FR)
- (72) Inventor: **Anders Kunz**, Savigny le Sec (FR)
- (73) Assignee: **SEB**, Selongey (FR)
- (\*\*) Term: **14 Years**
- (21) Appl. No.: **29/495,490**
- (22) Filed: **Jul. 1, 2014**

(30) **Foreign Application Priority Data**

- Jan. 14, 2014 (EM) ..... 001398812-0001
- Jan. 14, 2014 (EM) ..... 001398812-0002
- Jan. 14, 2014 (EM) ..... 001398812-0003

(51) **LOC (10) Cl.** ..... **07-01**

(52) **U.S. Cl.**  
USPC ..... **D7/396.4**; D7/405; D7/399

(58) **Field of Classification Search**

USPC ..... D7/507, 509, 512-521, 529, 530, 531, D7/534, 536, 539, 544, 551.1, 551.2, D7/551.3, 554.1, 560, 564, 565, 566, 567, D7/568, 569, 570, 571, 572, 573, 578, 579, D7/580, 593, 594, 595, 596, 613, 702, 623, D7/624.1, 624.2, 625, 642, 678, 675, 387, D7/388, 389, 396.4, 213, 397, 398, 399, D7/396.5, 405, 411; D9/600, 601, 607, D9/609, 611, 614, 620, 624, 625, 626, 640, D9/649, 520, 636, 638; 220/675, 703, 705, 220/707, 890; D21/313, 314, 351; D20/30-33, 11, 24, 25; D30/110, 112, D30/129; D11/132, 133, 134, 142, 143, D11/144, 149, 155, 157, 173, 176, 184, D11/140; D24/158; D26/80, 95  
CPC ..... A47G 19/2227; A47G 2019/2277; A45F 3/20; A45F 2003/205

See application file for complete search history.

(56) **References Cited**

U.S. PATENT DOCUMENTS

D80,808 S *	3/1930	Root	.....	D9/638
D88,150 S *	11/1932	Hobson	.....	D7/405
D197,782 S *	3/1964	Johnson	.....	D11/134
D197,783 S *	3/1964	Johnson	.....	D11/134
D230,808 S *	3/1974	Edwards	.....	D11/132
D249,659 S *	9/1978	Balzano	.....	D11/132
D462,873 S *	9/2002	Miljkovic	.....	D11/132
D597,782 S *	8/2009	Webster	.....	D7/306
D607,272 S *	1/2010	Bodum	.....	D7/309
D616,246 S *	5/2010	Filho	.....	D7/405
D629,109 S *	12/2010	Phillips	.....	D24/158
D654,827 S *	2/2012	Brun	.....	D11/132

(Continued)

OTHER PUBLICATIONS

May 31, 2013 www.macdecals.com—Mac Decals.\*

(Continued)

*Primary Examiner* — Marianne Pandozzi

*Assistant Examiner* — Jae Liang

(74) *Attorney, Agent, or Firm* — Loeb & Loeb LLP

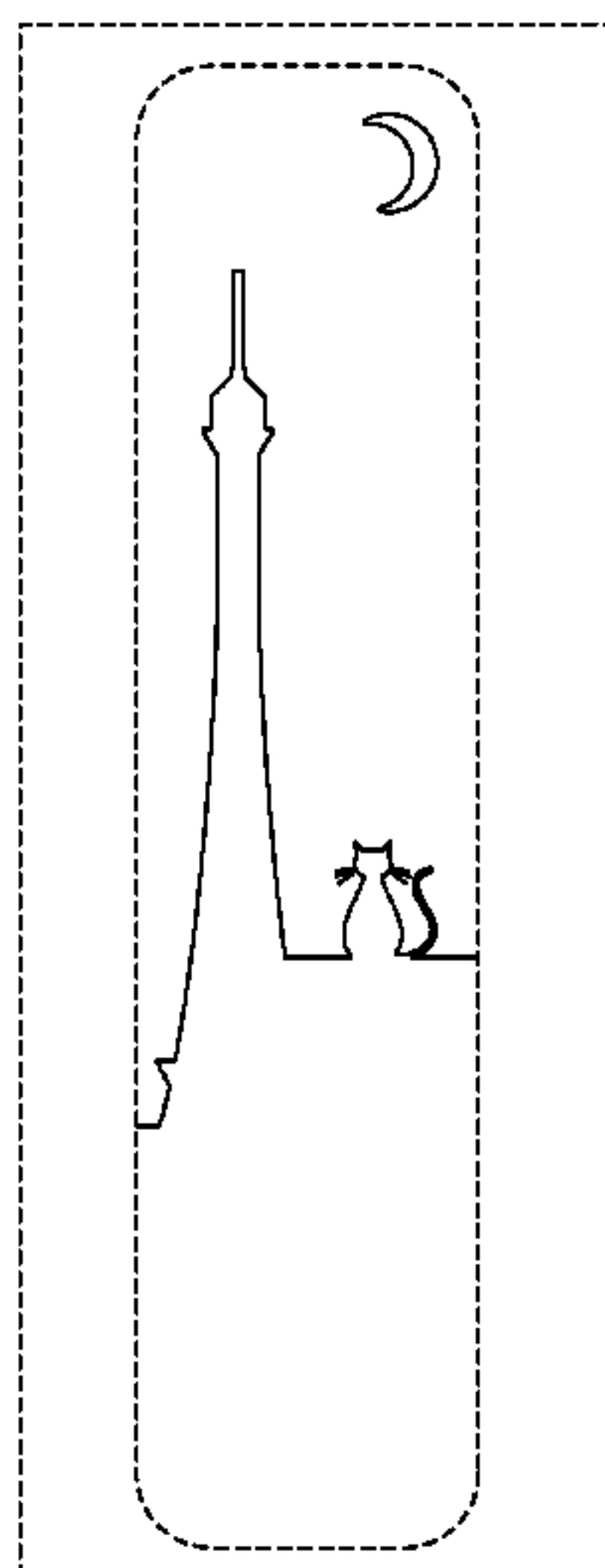
(57) **CLAIM**

The ornamental design for decoration for household appliance, as shown and described.

**DESCRIPTION**

FIG. 1 is a front elevational view of a decoration for household appliance showing my new design; and, FIG. 2 is an environmental perspective view thereof. Views of the bottom and sides are omitted since the bottom and sides are devoid of surface ornamentation and form no part of the claimed design. In the drawings, the broken lines depict unclaimed subject matter and form no part of the claimed design.

**1 Claim, 2 Drawing Sheets**



(56)

**References Cited**

U.S. PATENT DOCUMENTS

D664,442 S \* 7/2012 Ciulla ..... D9/418  
D676,757 S \* 2/2013 Betts ..... D9/601  
D691,276 S \* 10/2013 Bushby ..... D24/189  
D704,507 S \* 5/2014 Nordwall ..... D7/406  
D715,681 S \* 10/2014 Bailey ..... D11/133

D716,958 S \* 11/2014 Thomas ..... D24/200  
D719,776 S \* 12/2014 Kunz ..... D7/309  
D722,807 S \* 2/2015 Anglada ..... D7/307  
D739,532 S \* 9/2015 Sicurelli ..... D24/158

OTHER PUBLICATIONS

Apr. 9, 2014 Paris Skyline image—[www.istockphoto.com](http://www.istockphoto.com).\*

\* cited by examiner

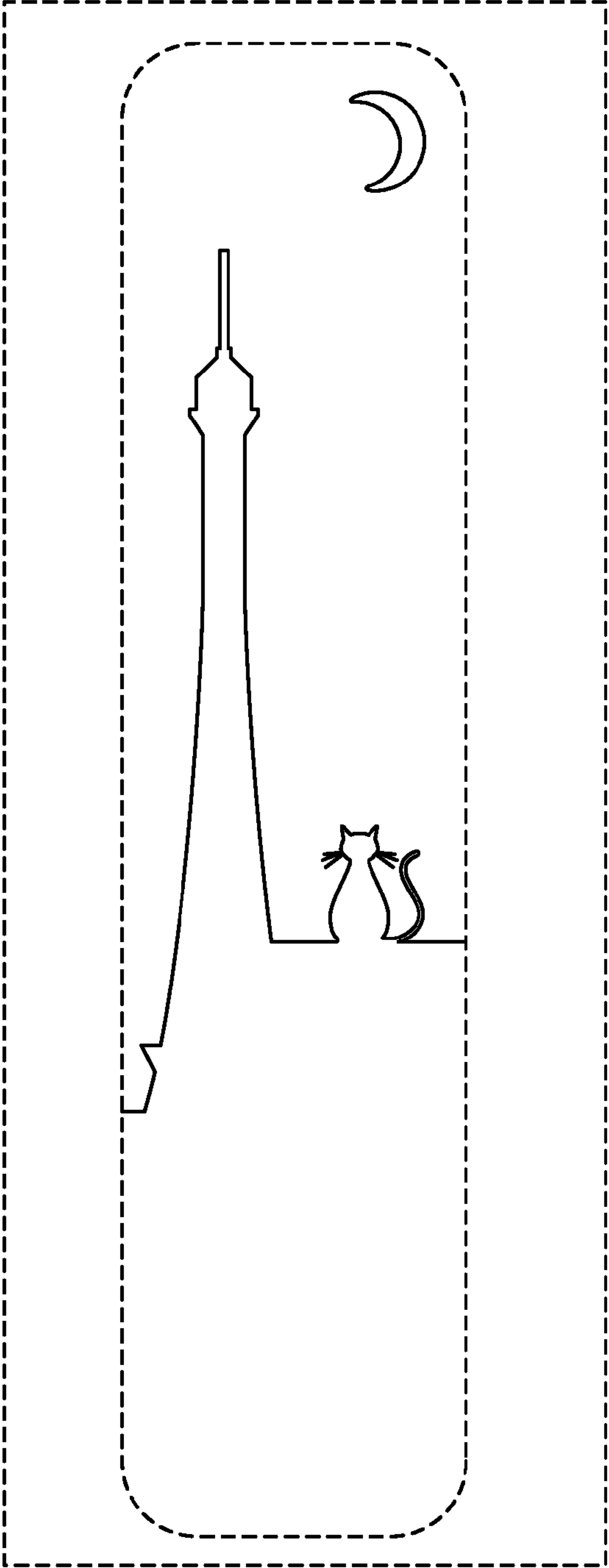


FIG. 1

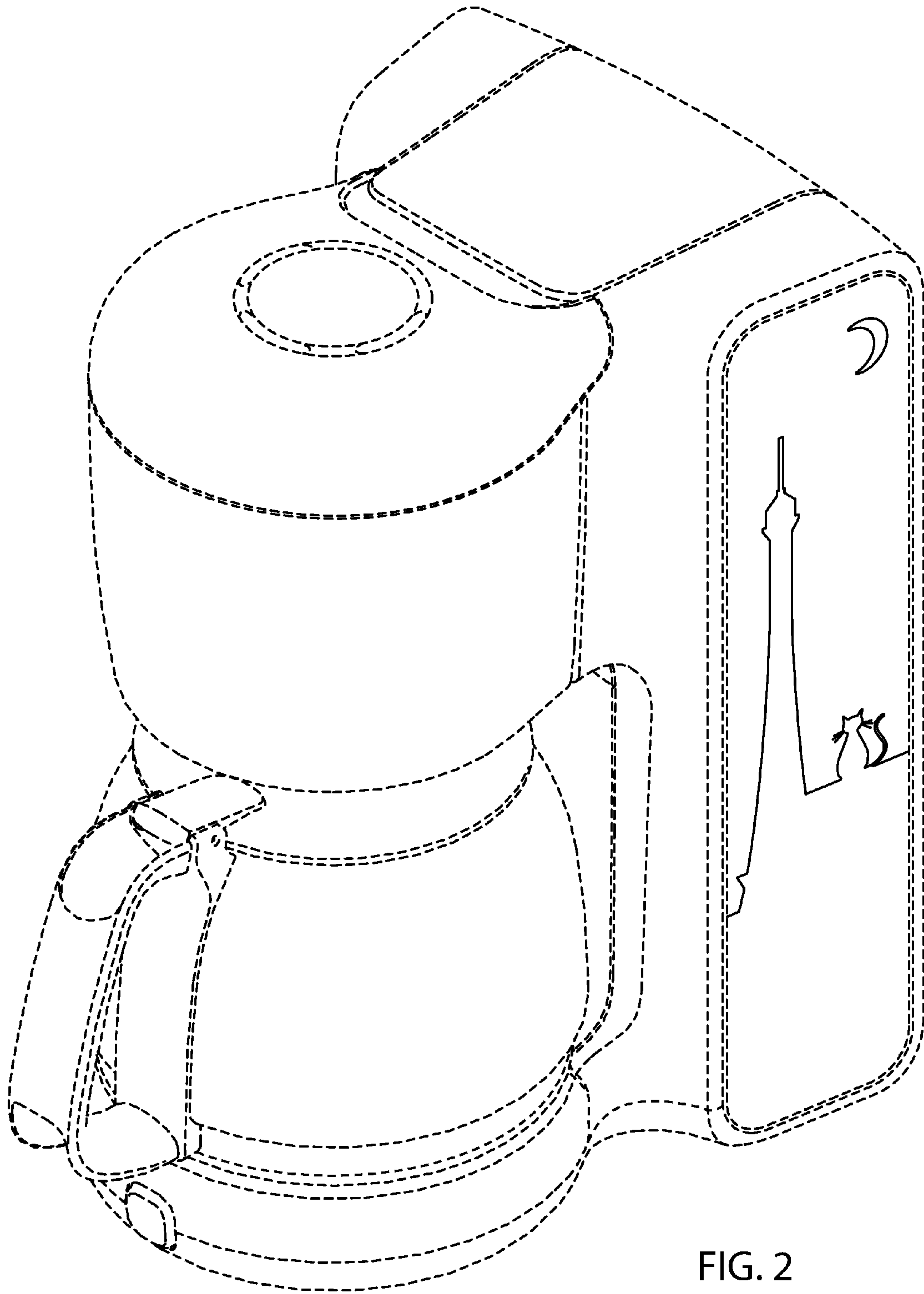


FIG. 2