



US00D754472S

(12) **United States Design Patent**
Munari

(10) **Patent No.:** **US D754,472 S**

(45) **Date of Patent:** **** Apr. 26, 2016**

(54) **KNOB FOR COOKING UTENSILS AND APPARATUS**

(71) Applicant: **LA TERMOPLASTIC F.B.M. S.R.L.**,
Arsago Seprio (VA) (IT)

(72) Inventor: **Marco Munari**, Cardano al Campo (IT)

(73) Assignee: **LA TERMOPLASTIC F.B.M. S.R.L.**,
Arsago Seprio (VA) (IT)

(**) Term: **14 Years**

(21) Appl. No.: **29/509,862**

(22) Filed: **Nov. 21, 2014**

(30) **Foreign Application Priority Data**

May 22, 2014 (EM) 002468983

(51) **LOC (10) Cl.** **07-02**

(52) **U.S. Cl.**
USPC **D7/393**

(58) **Field of Classification Search**
USPC D7/354-358, 359-361, 391, 393, 402,
D7/405, 406, 682; D8/107, 307, 300, 310,
D8/311, 314; D23/250, 252; 16/110 R,
16/114 R, 118, 121, 309, 311, 312, 315,
16/320, 430, 431, 441; 74/548, 553,
74/558.5; 200/18, 61.8, 336-338,
200/564-570; 220/573.1-573.5, 752, 753,
220/755, 912

CPC A47J 45/063; A47J 45/074

See application file for complete search history.

(56) **References Cited**

U.S. PATENT DOCUMENTS

D110,995 S *	8/1938	Bellem, Jr.	D8/310
3,280,422 A *	10/1966	Hoffmann	16/414
D361,470 S *	8/1995	Arbunies	D7/393
D385,772 S *	11/1997	Keller	D8/317
D505,312 S *	5/2005	Bacon	D8/316
D532,651 S *	11/2006	Giugiaro	D7/394
D554,940 S *	11/2007	Munari	D7/394
D573,003 S *	7/2008	Bogdan	D8/316
D634,157 S *	3/2011	Hoff et al.	D7/393
D703,997 S *	5/2014	Munari	D7/393
D714,915 S *	10/2014	von der Lancken et al.	D23/253

* cited by examiner

Primary Examiner — Cynthia M Chin

(74) *Attorney, Agent, or Firm* — Hedman & Costigan, P.C.;
James V. Costigan; Kathleen A. Costigan

(57) **CLAIM**

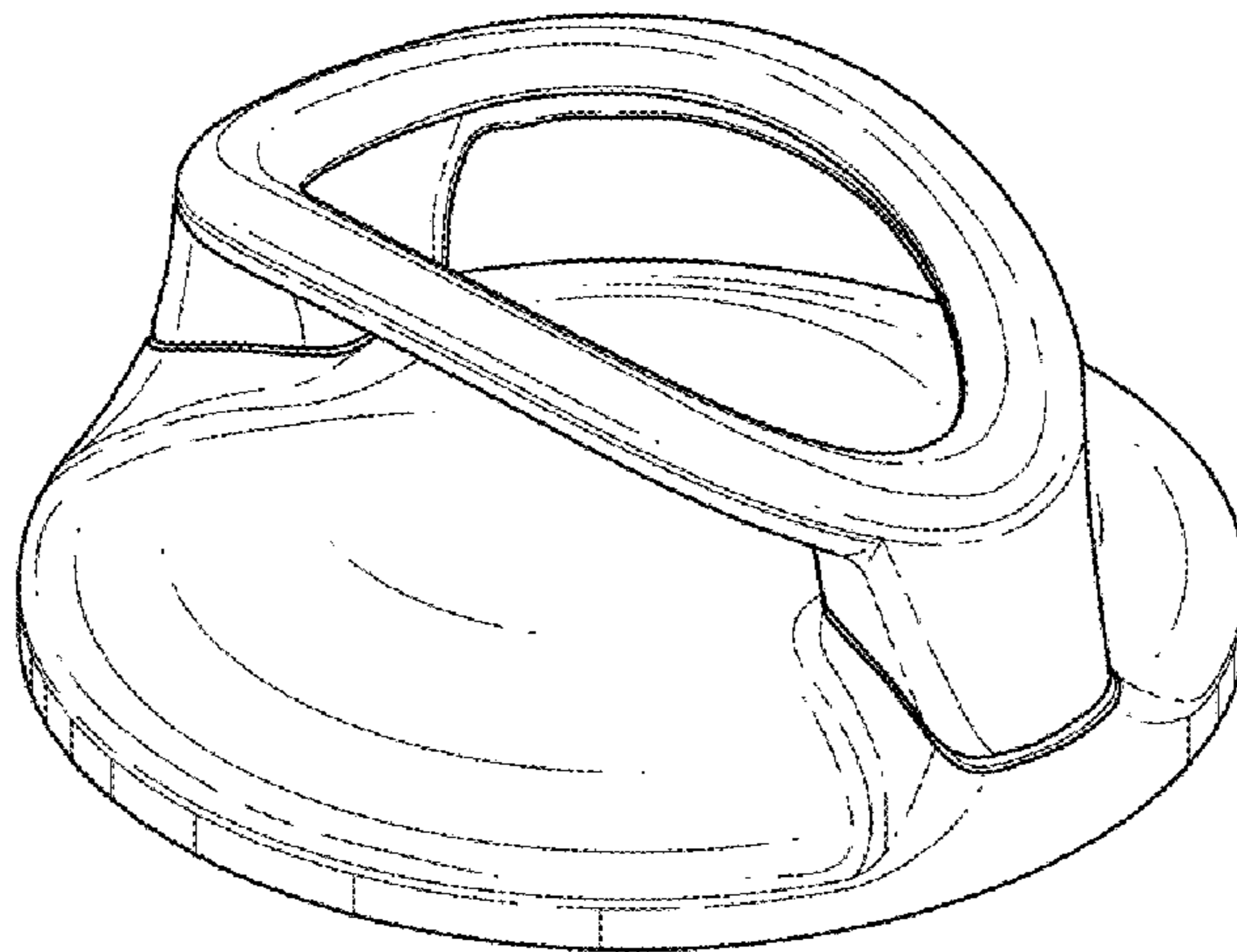
I claim the ornamental design for a knob for cooking utensils and apparatus, as shown and described.

DESCRIPTION

FIG. 1 is a top perspective view of a knob for cooking utensils and apparatus according to the present invention;
FIG. 2 is a front elevational view thereof;
FIG. 3 is rear elevational view thereof;
FIG. 4 is a left side elevational view thereof;
FIG. 5 is a right side elevational view thereof;
FIG. 6 is top plan view thereof; and,
FIG. 7 is a bottom plan view thereof.

The portions of the knob for cooking utensils and apparatus shown in broken lines form no part of the claimed design.

1 Claim, 2 Drawing Sheets



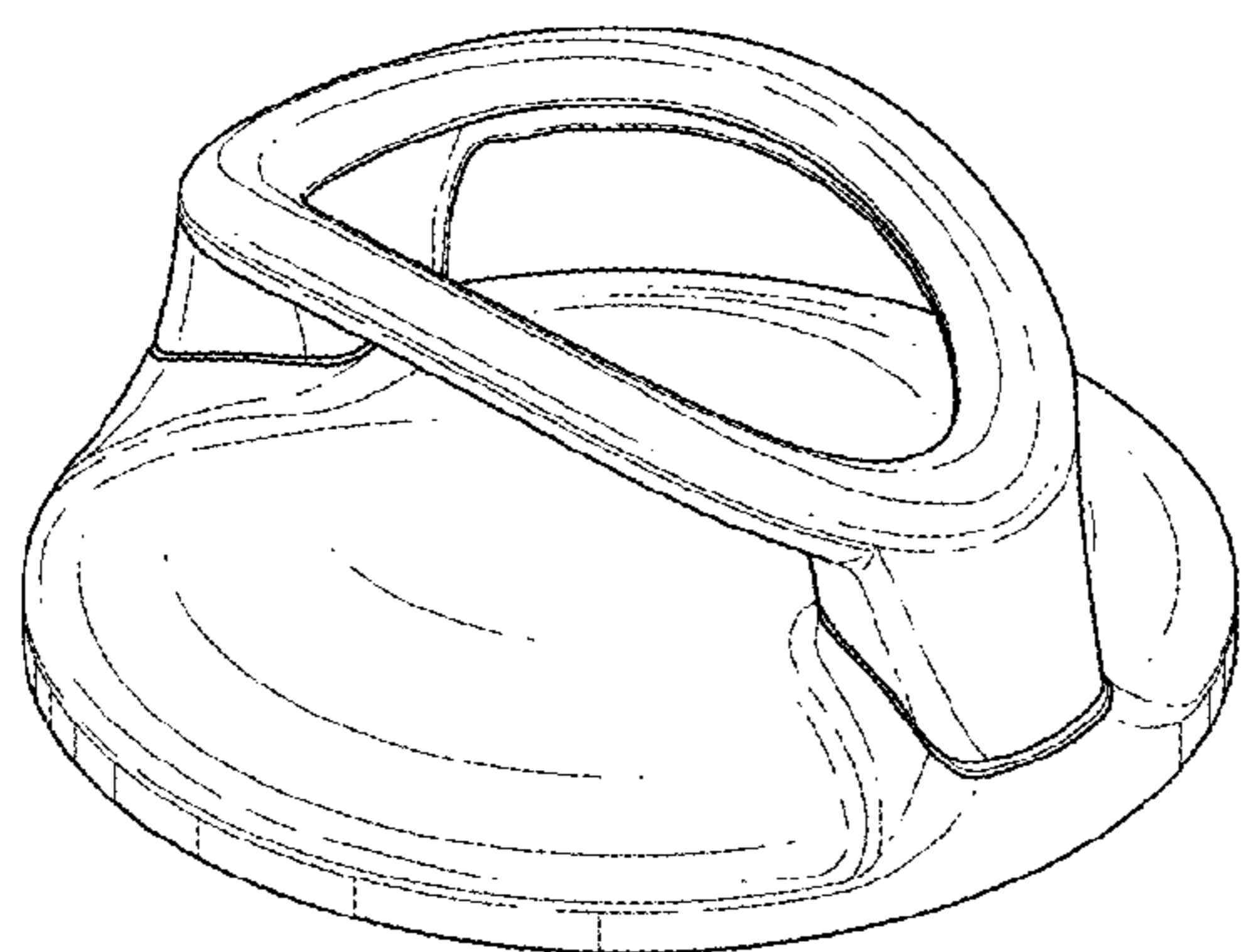


FIG. 1

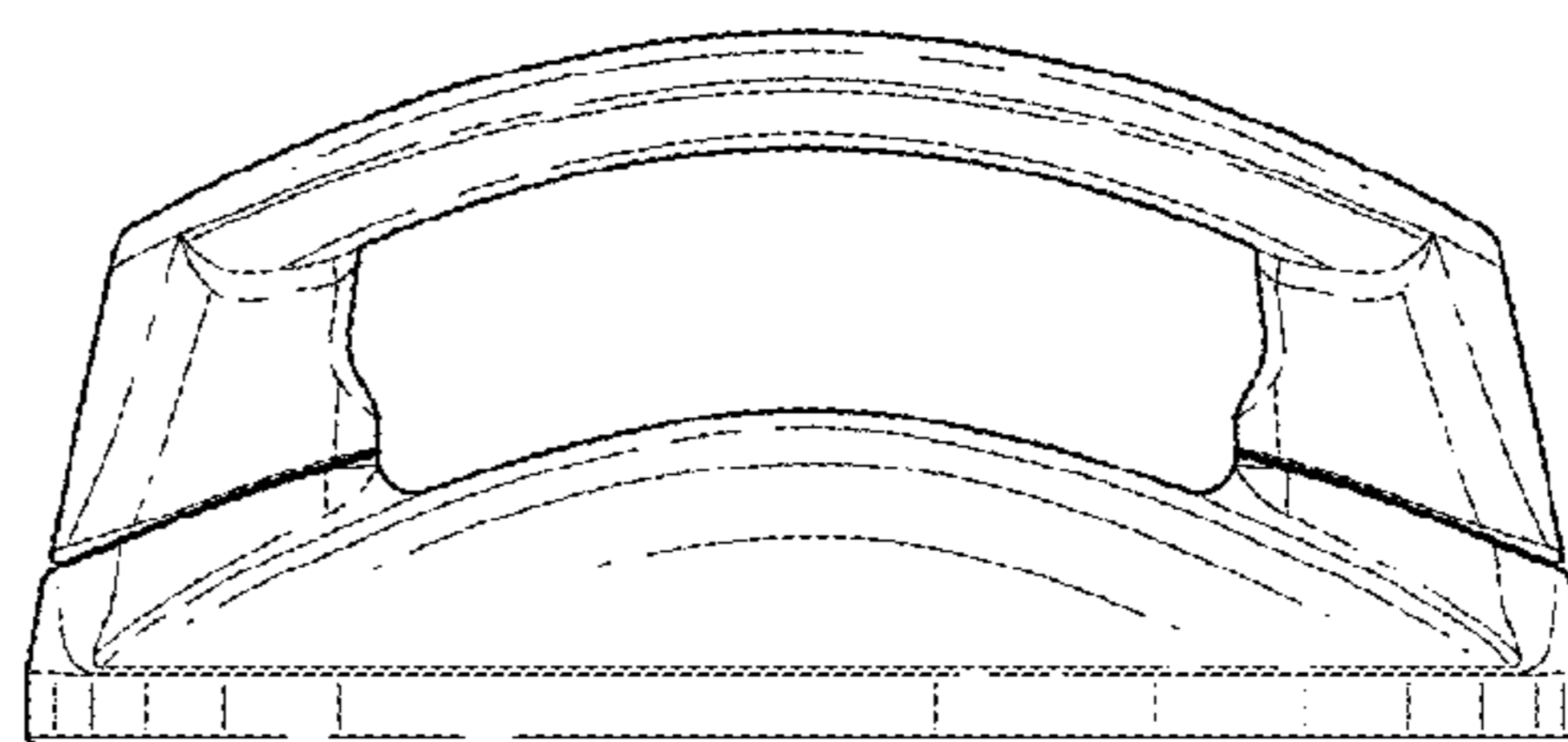


FIG. 2

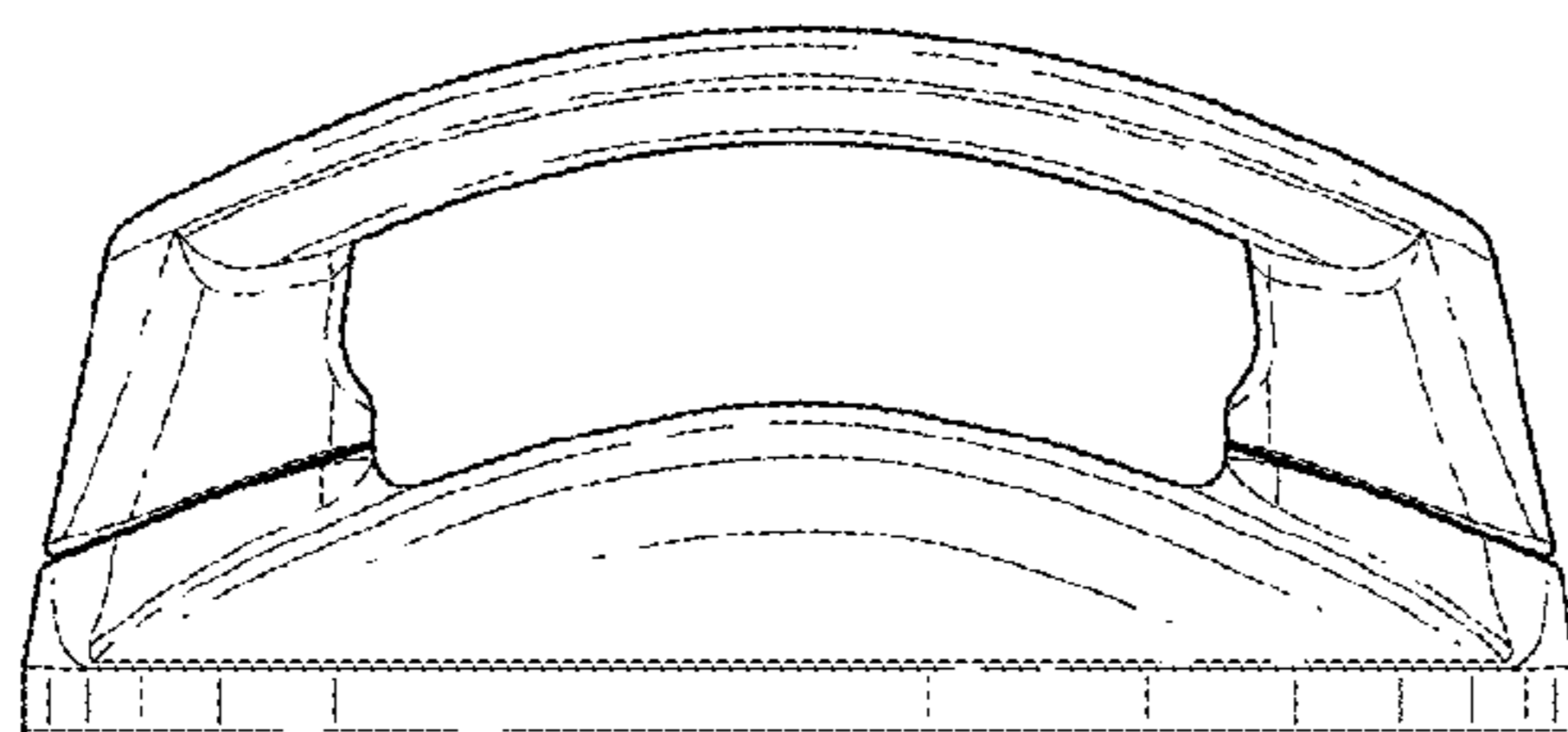


FIG. 3

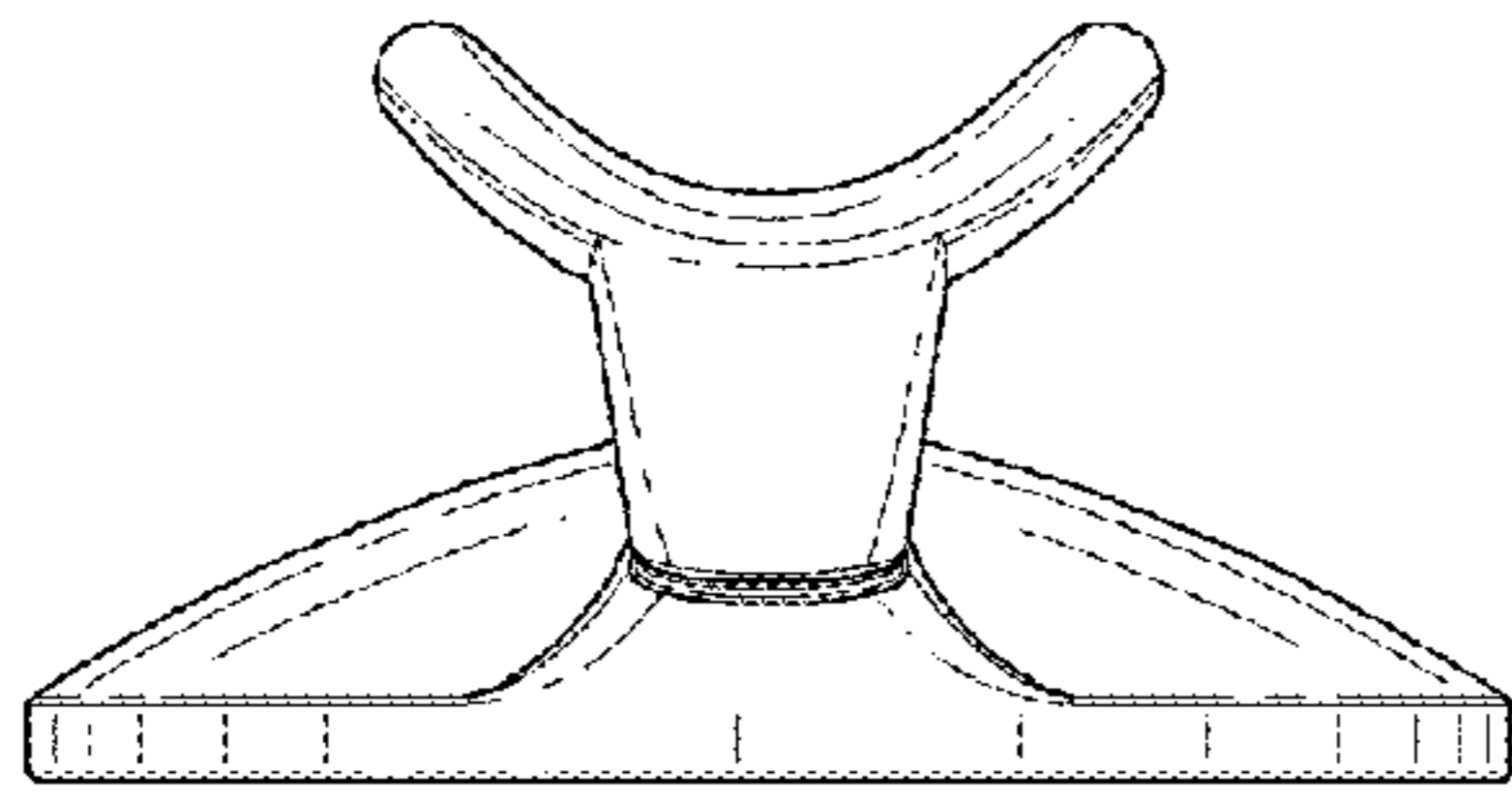


FIG. 4

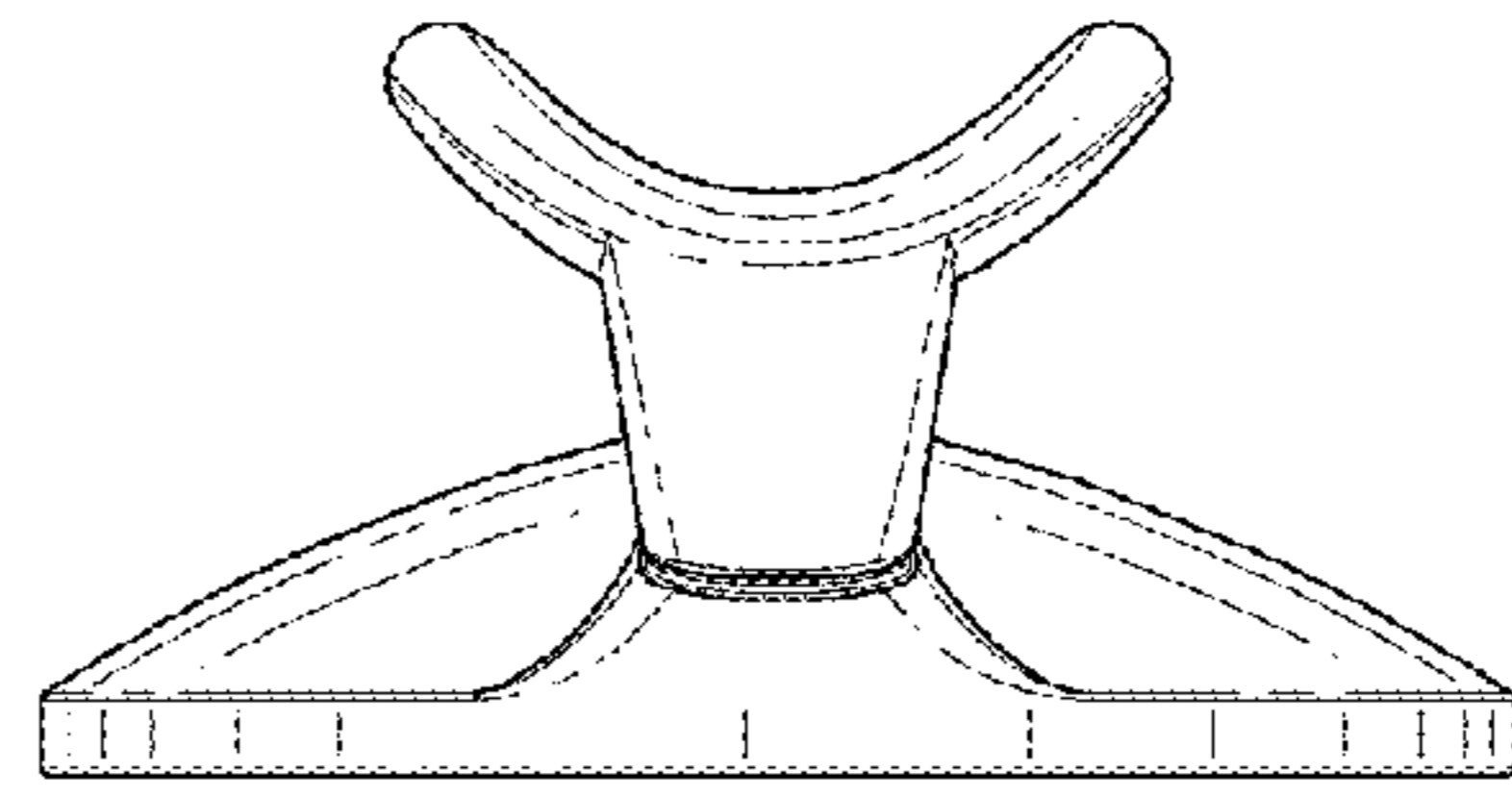


FIG. 5

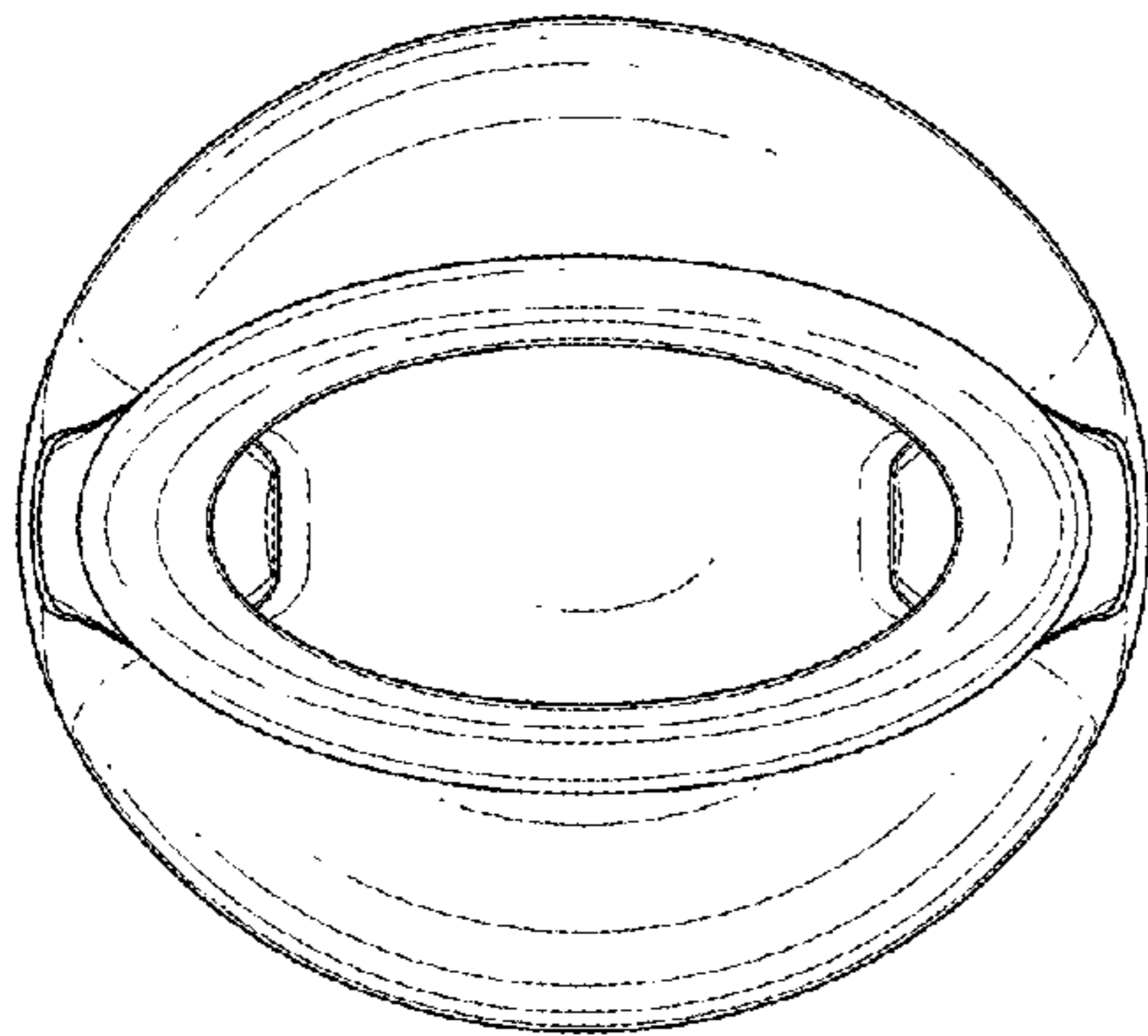


FIG. 6

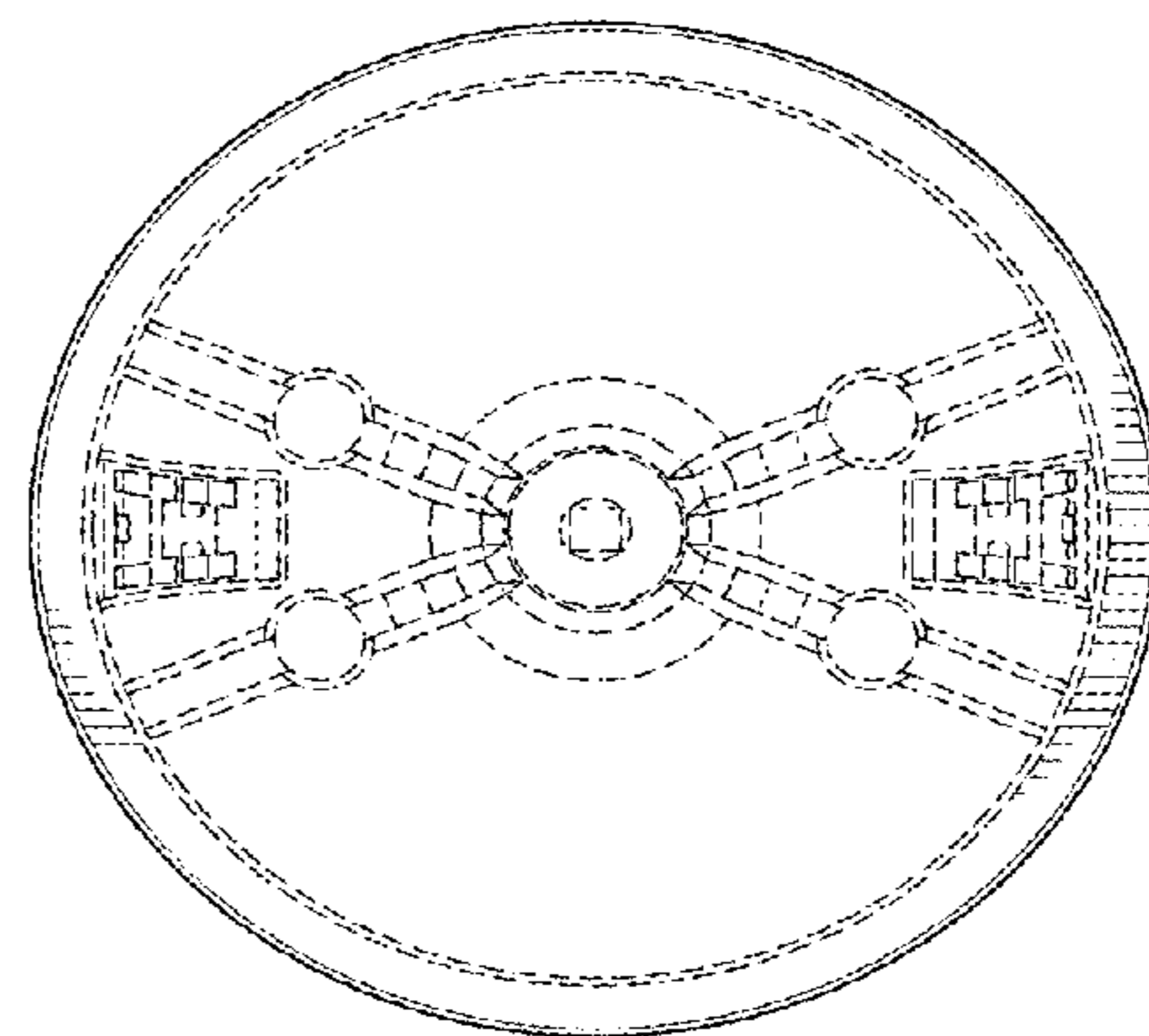


FIG. 7