



US00D754471S

(12) **United States Design Patent**  
**Caneer et al.**

(10) **Patent No.:** **US D754,471 S**  
(45) **Date of Patent:** **\*\* Apr. 26, 2016**

(54) **LID**

(71) Applicant: **Mark One Lifestyle, Inc.**, San Francisco, CA (US)

(72) Inventors: **Greg Caneer**, Oakland, CA (US); **Brit Leek**, Santa Clara, CA (US); **Jason Mayden**, Palo Alto, CA (US); **Eric Shyr**, San Francisco, CA (US); **Matt Simas**, Hayward, CA (US)

(73) Assignee: **MARK ONE LIFESTYLE, INC.**, San Francisco, CA (US)

(\*\*) Term: **14 Years**

(21) Appl. No.: **29/508,584**

(22) Filed: **Nov. 7, 2014**

(51) **LOC (10) Cl.** ..... **07-01**

(52) **U.S. Cl.**  
USPC ..... **D7/392.1**

(58) **Field of Classification Search**  
USPC ..... D7/300, 316, 387, 397, 510; D8/352, D8/399; D9/420, 428, 429, 434-436, 440, D9/443, 439, 444-447, 449, 450-454, 456, D9/499, 503, 504, 549, 715, 717, 718, 728, D9/738, 741; D23/260, 269, 390; D24/224; 99/375; 215/252; 220/212, 220/371, 530, 608, 711, 713, 839; 426/394  
CPC ..... B65D 41/26; B65D 2543/00046  
See application file for complete search history.

(56) **References Cited**

**U.S. PATENT DOCUMENTS**

D62,098 S *	3/1923	Brill	.....	D9/504
D201,222 S *	5/1965	Wilson	.....	D9/450
D318,234 S *	7/1991	Lillelund	.....	D9/454
D477,223 S *	7/2003	Smith	.....	D9/447
7,611,029 B2 *	11/2009	Wong	.....	B65D 47/286 220/254.9

D619,892 S *	7/2010	Welk	.....	D7/391
D621,648 S *	8/2010	Lown	.....	D7/300.1
D655,160 S *	3/2012	Daniel	.....	D9/447
D658,057 S *	4/2012	Donat	.....	D9/447
D677,162 S *	3/2013	Sharma	.....	D7/392.1
D682,105 S *	5/2013	Ramsey	.....	D9/452
D696,120 S *	12/2013	You	.....	D9/454
D705,057 S *	5/2014	Brunner	.....	D9/435
D717,651 S *	11/2014	Marina	.....	D9/454
D727,729 S *	4/2015	Shi	.....	D9/447
D727,731 S *	4/2015	Humm	.....	D9/449

**OTHER PUBLICATIONS**

YouTube. Vessyl. Jun. 12, 2014 [online], [site visited Oct. 23, 2015]. Available from Internet, <URL:https://www.youtube.com/watch?v=lu4ukHmXKFU&feature=player\_embedded>.\*

\* cited by examiner

*Primary Examiner* — Robert M Spear  
*Assistant Examiner* — Darcey E Heflin

(74) *Attorney, Agent, or Firm* — Goodwin Procter LLC

(57) **CLAIM**

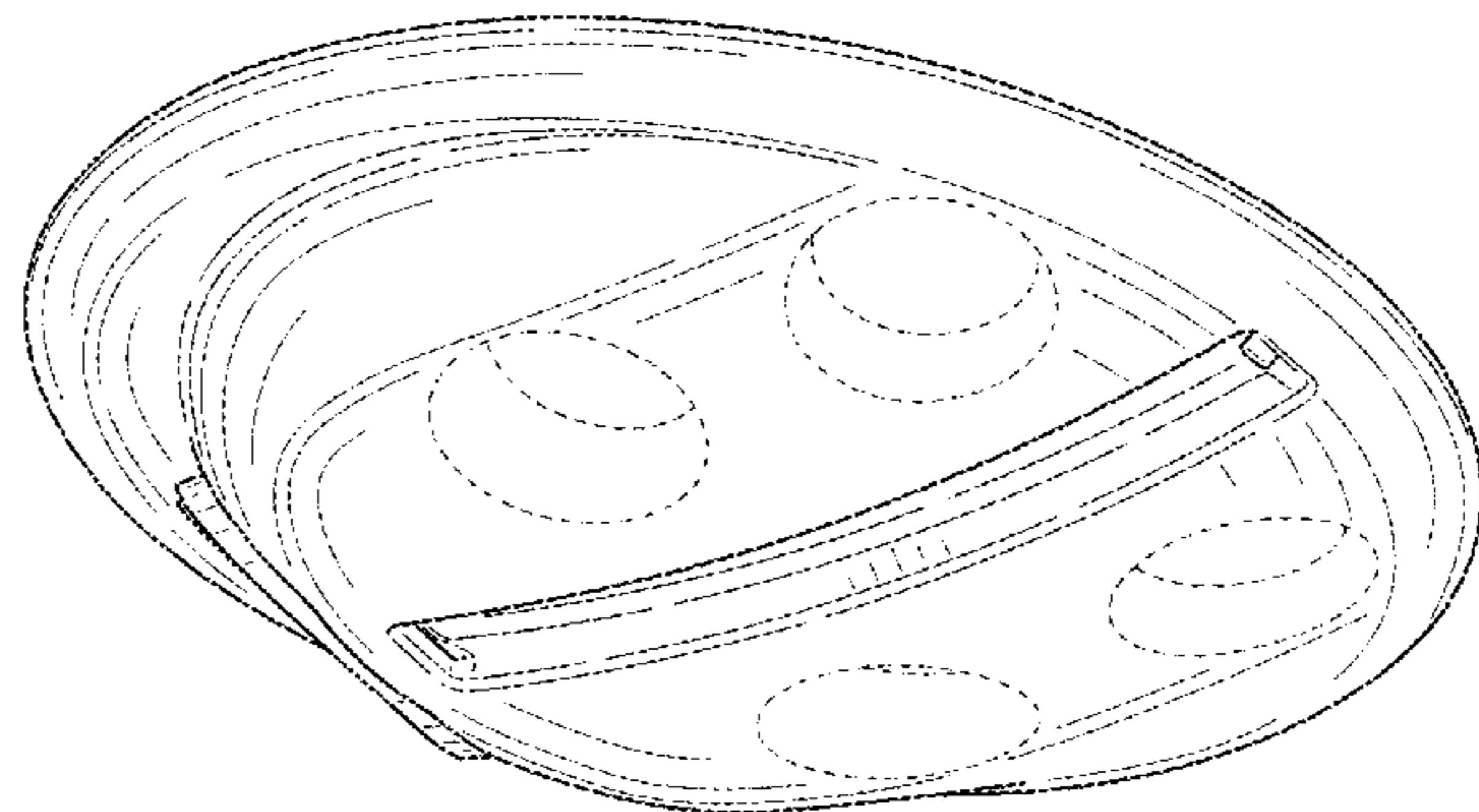
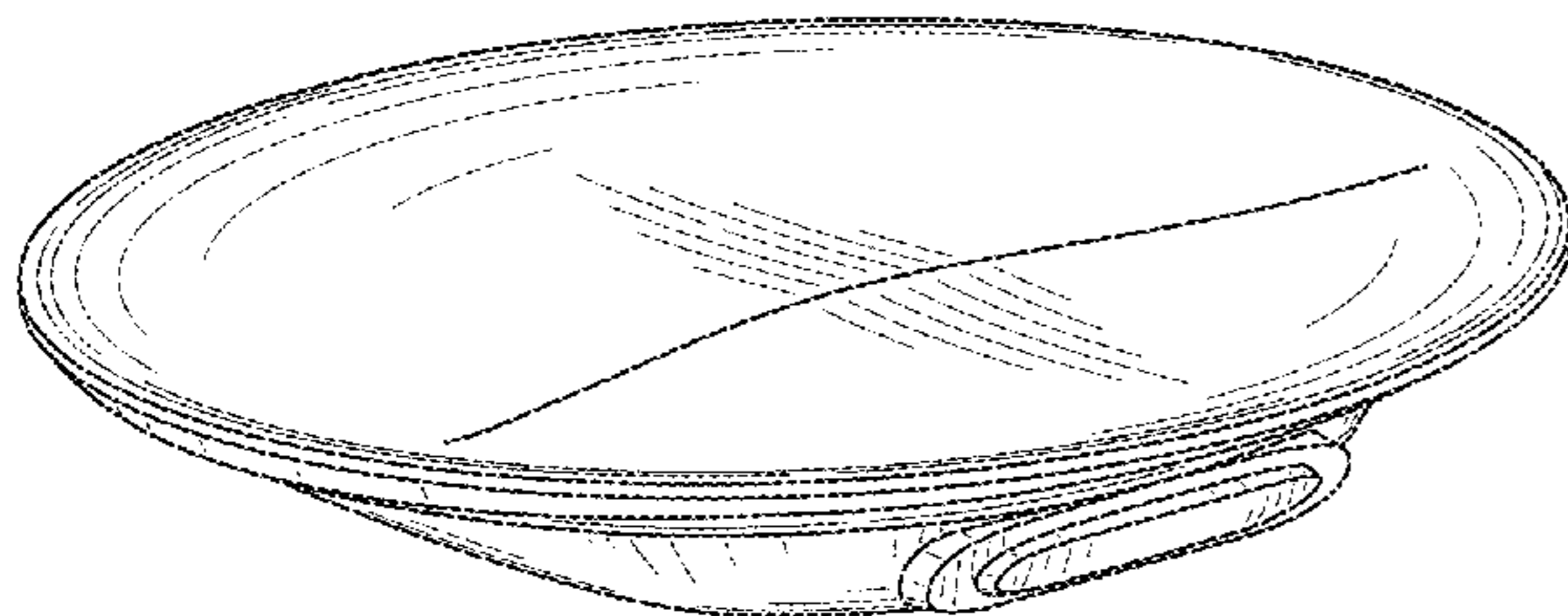
The ornamental design for a lid, as shown and described.

**DESCRIPTION**

FIG. 1 is a top perspective view of a lid;  
FIG. 2 is a front view of the lid;  
FIG. 3 is a rear view of the lid;  
FIG. 4 is a right side view of the lid;  
FIG. 5 is a left side view of the lid;  
FIG. 6 is a top view of the lid;  
FIG. 7 is a bottom view of the lid;  
FIG. 8 is a bottom perspective view of the lid; and,  
FIG. 9 is a cross-sectional view of the lid through line 9-9 in FIG. 6.

In the drawings, the broken lines depict environmental subject matter only that forms no part of the claim.

**1 Claim, 3 Drawing Sheets**



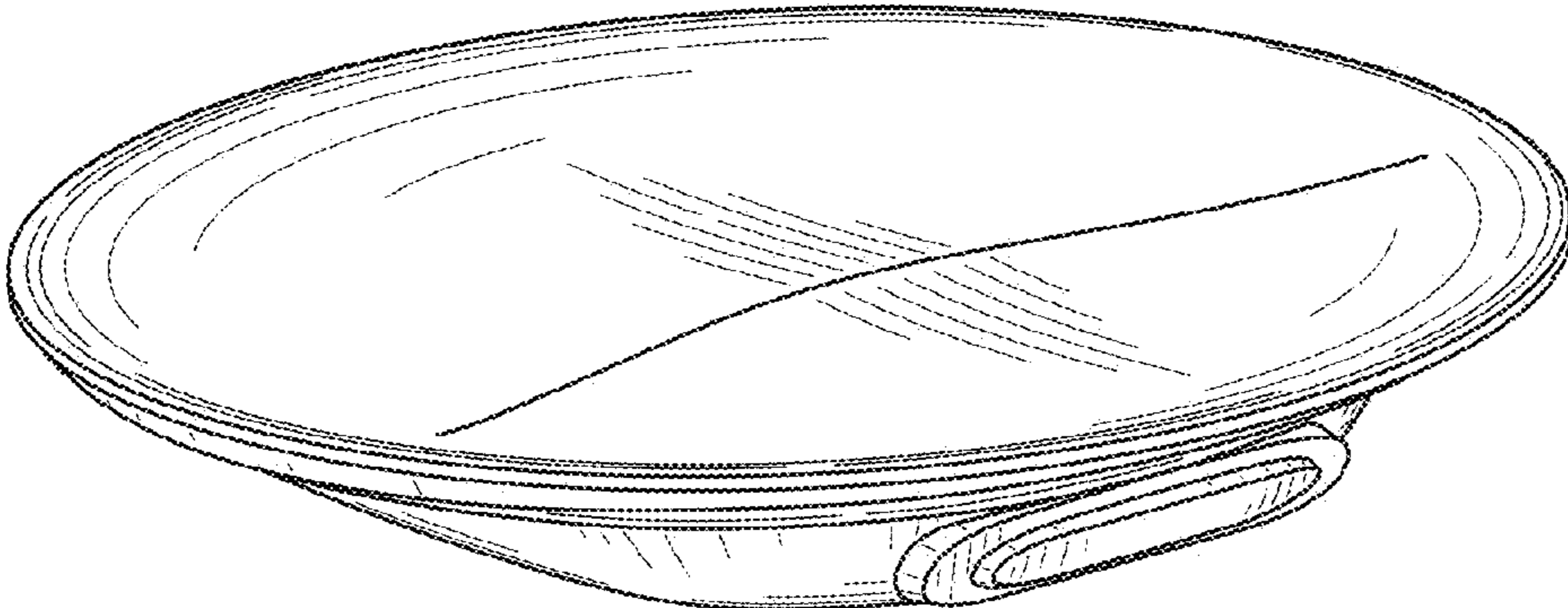


FIG. 1

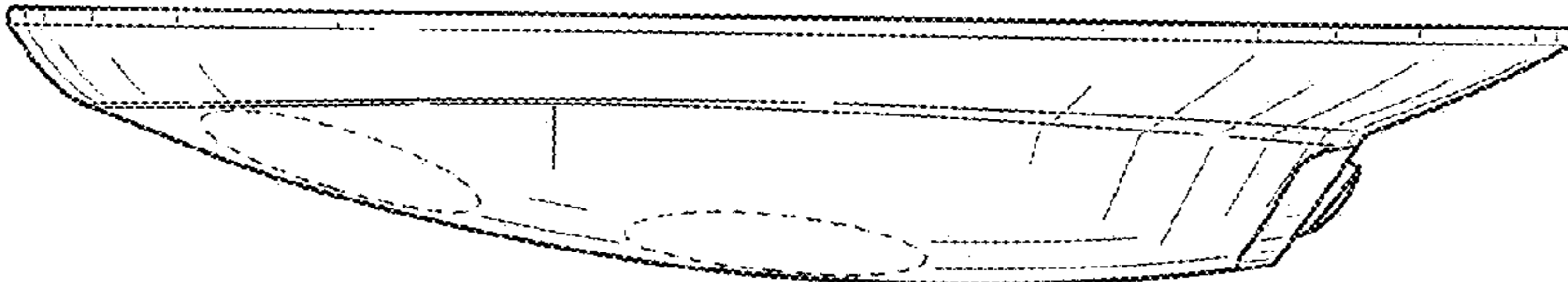


FIG. 2

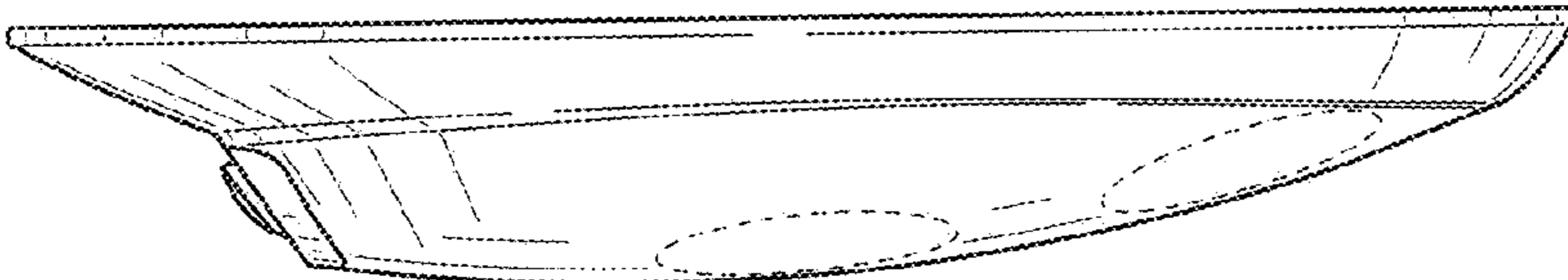


FIG. 3



FIG. 4

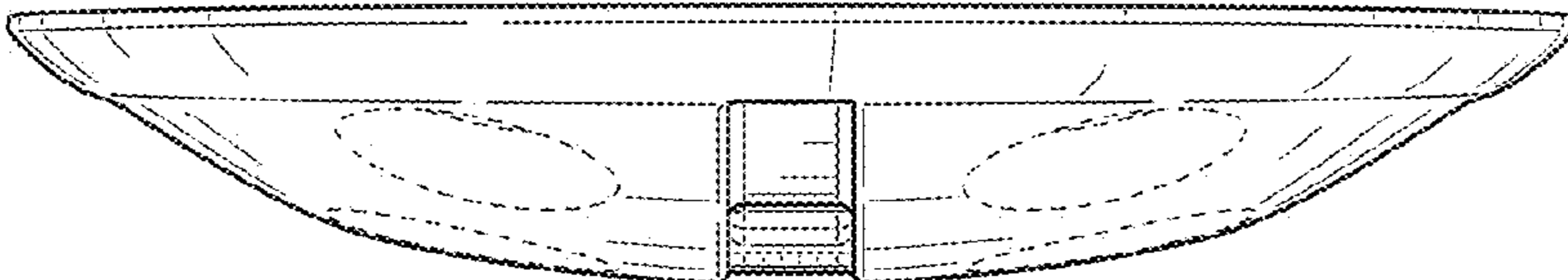


FIG. 5

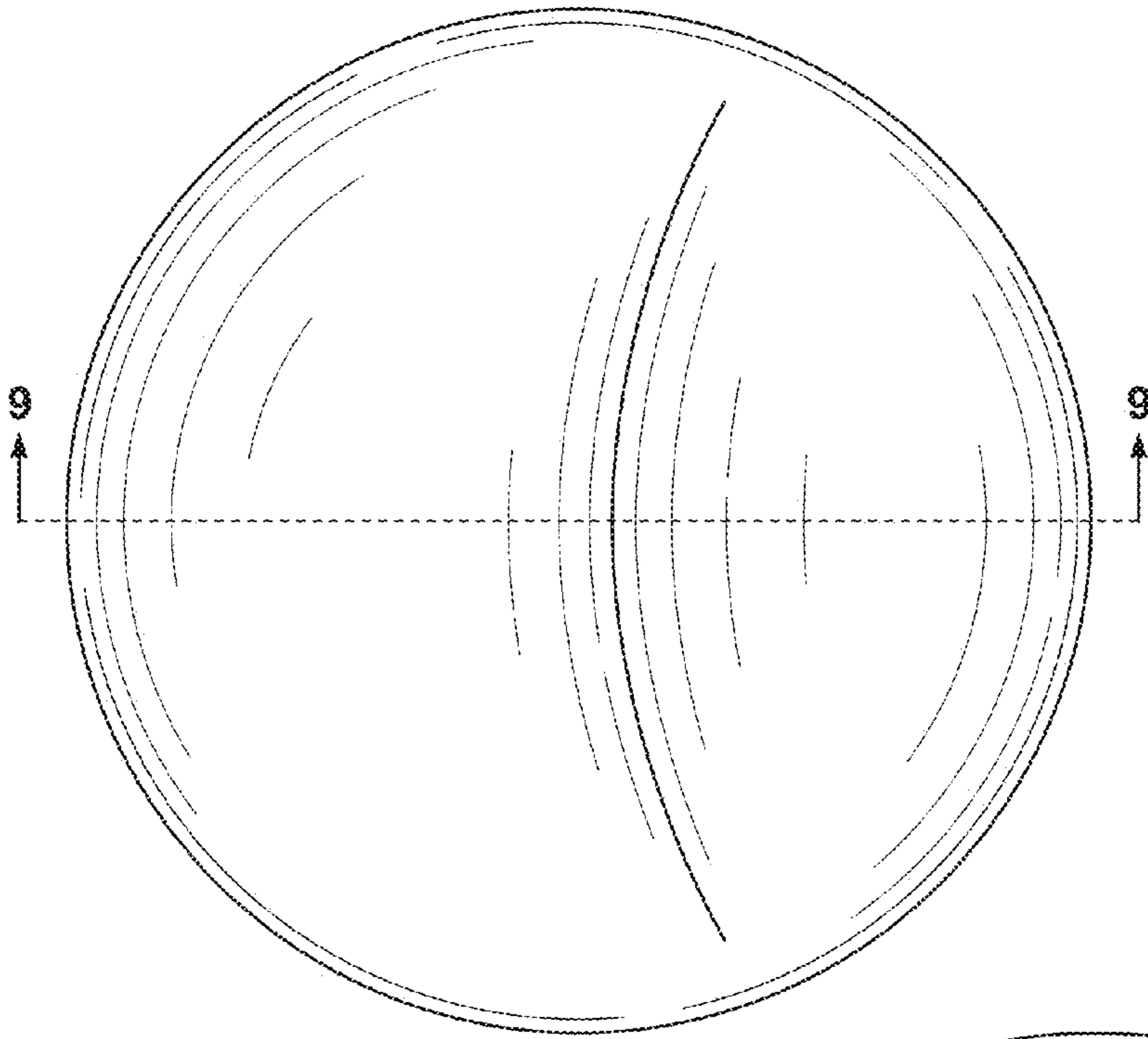


FIG. 6

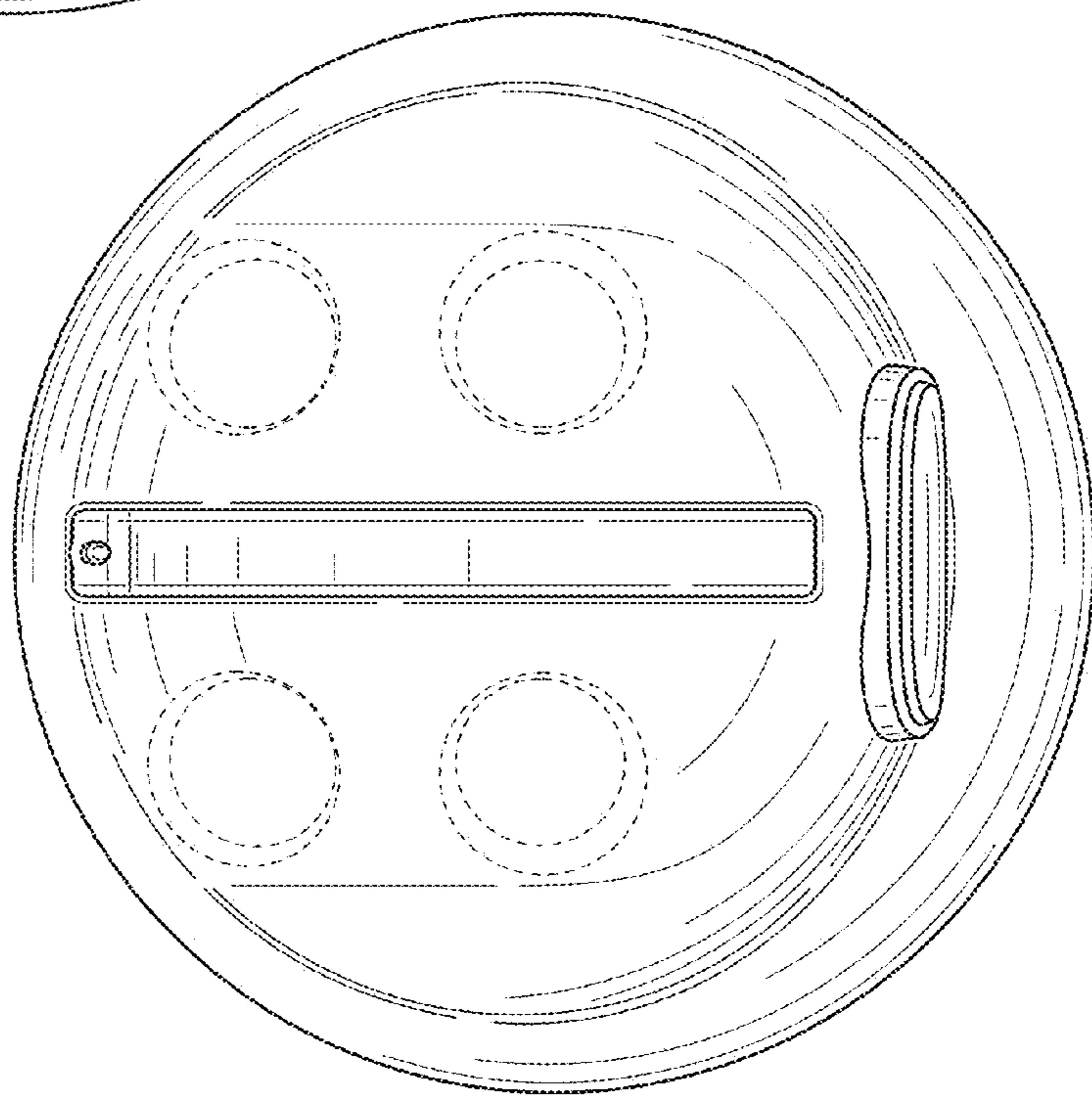


FIG. 7

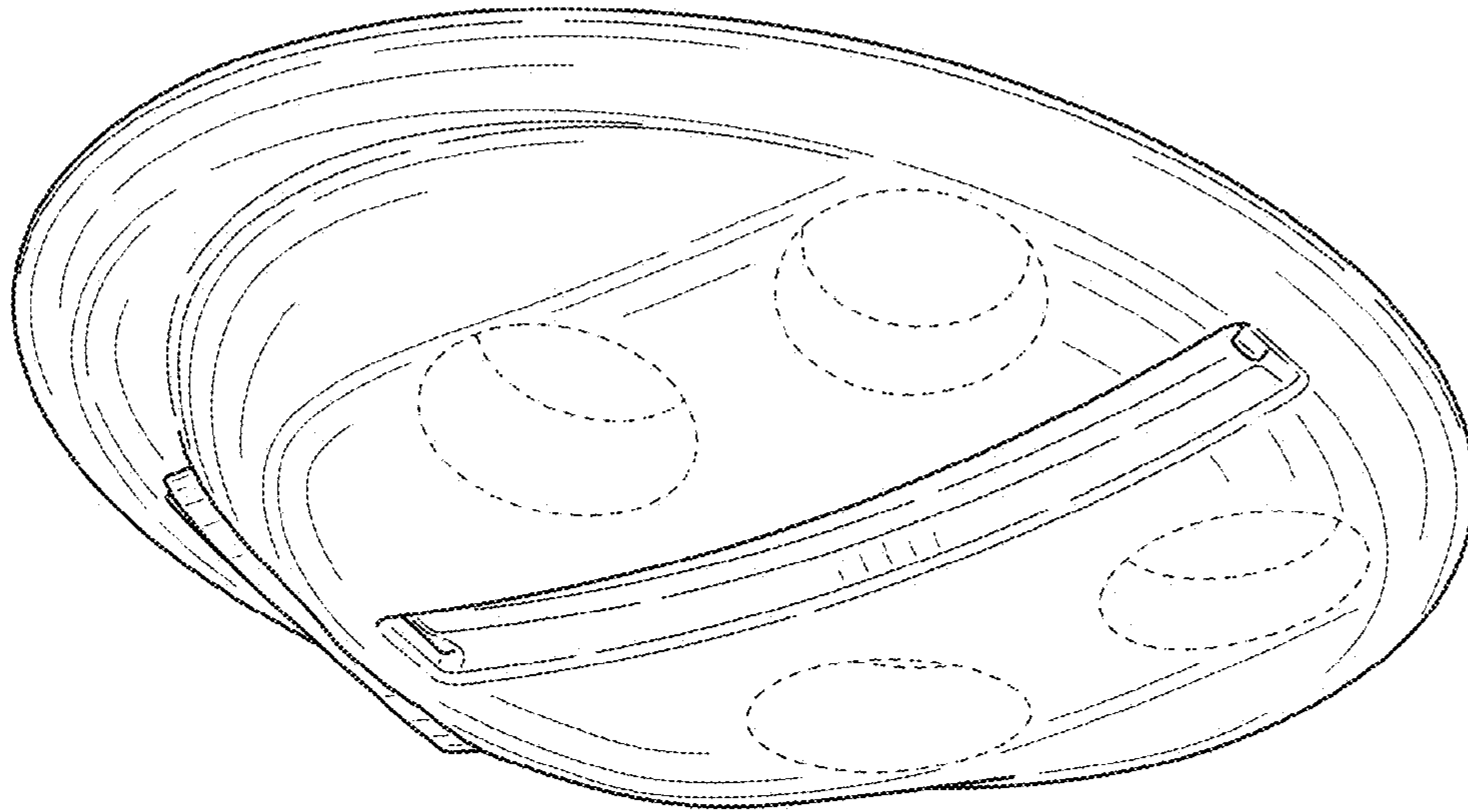


FIG. 8

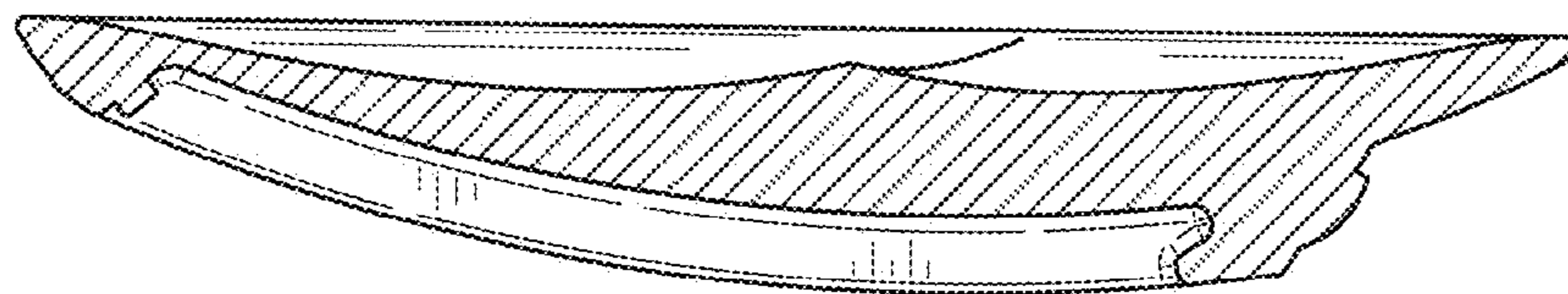


FIG. 9