



US00D754467S

(12) **United States Design Patent**
Misner

(10) **Patent No.:** **US D754,467 S**
(45) **Date of Patent:** **** Apr. 26, 2016**

- (54) **GRIDDLE**
- (71) Applicant: **Everett Misner**, Harlowton, MT (US)
- (72) Inventor: **Everett Misner**, Harlowton, MT (US)
- (73) Assignee: **Misner Manufacturing, Inc.**,
Harlowton, MT (US)
- (**) Term: **14 Years**
- (21) Appl. No.: **29/521,067**
- (22) Filed: **Mar. 19, 2015**
- (51) **LOC (10) Cl.** **07-02**
- (52) **U.S. Cl.**
USPC **D7/360; D7/352; D7/362; D7/363;**
D7/409
- (58) **Field of Classification Search**
USPC **D7/323, 332, 335-337, 352-355,**
D7/359-364, 387-388, 402, 407-409,
D7/552.1
CPC **A21B 2/00; A21B 3/00; A21B 3/13;**
A21B 3/15; A21B 5/00; A21B 5/02; A23N
12/06; A23N 12/08; A23N 12/10; A47J
37/00; A47J 37/04; A47J 37/041; A47J
37/042; A47J 37/06; A47J 37/067; A47J
37/0676; A47J 37/0688; A47J 37/0694;
A47J 37/07; A47J 37/0704; A47J 37/0709;
A47J 37/10; A47J 47/20; A47J 2037/00;
A47J 2037/06; A47J 2037/0611; A47J
2037/07; A47J 2037/0786; A47J 2037/0795;
B21D 53/74; F24C 15/10; F24C 15/12;
F24C 15/14; F24C 15/16; F24C 15/164;
F24C 15/18
See application file for complete search history.

D155,854 S	11/1949	Weglage	
D157,107 S	1/1950	Walker	
2,669,914 A	2/1954	Swaine	
D178,247 S	7/1956	Snapp	
3,006,270 A *	10/1961	Graham	A47J 37/0676 292/162
D265,538 S *	7/1982	Nauheimer	D7/360
D335,240 S *	5/1993	Critchfield	D7/364
D379,135 S *	5/1997	Vina	D7/543
D380,347 S *	7/1997	Norton	D7/409
6,064,042 A *	5/2000	Glucksman	A47J 37/0676 219/452.13
D436,495 S *	1/2001	Ferrer	D7/360
D472,767 S *	4/2003	Gebhardt	D7/545
D508,818 S *	8/2005	Hawkins	D7/360
D511,929 S	11/2005	Coppi	
D575,098 S *	8/2008	Seymour	D7/363
7,415,922 B2	8/2008	Cheng	
7,523,697 B2 *	4/2009	Hedrington	A47J 37/0676 219/452.11
D717,597 S	11/2014	Henry	
D745,802 S *	12/2015	Yao	D7/352
2005/0204931 A1	9/2005	Cheng	

* cited by examiner

Primary Examiner — Ricky Pham

(74) *Attorney, Agent, or Firm* — Antoinette M. Tease

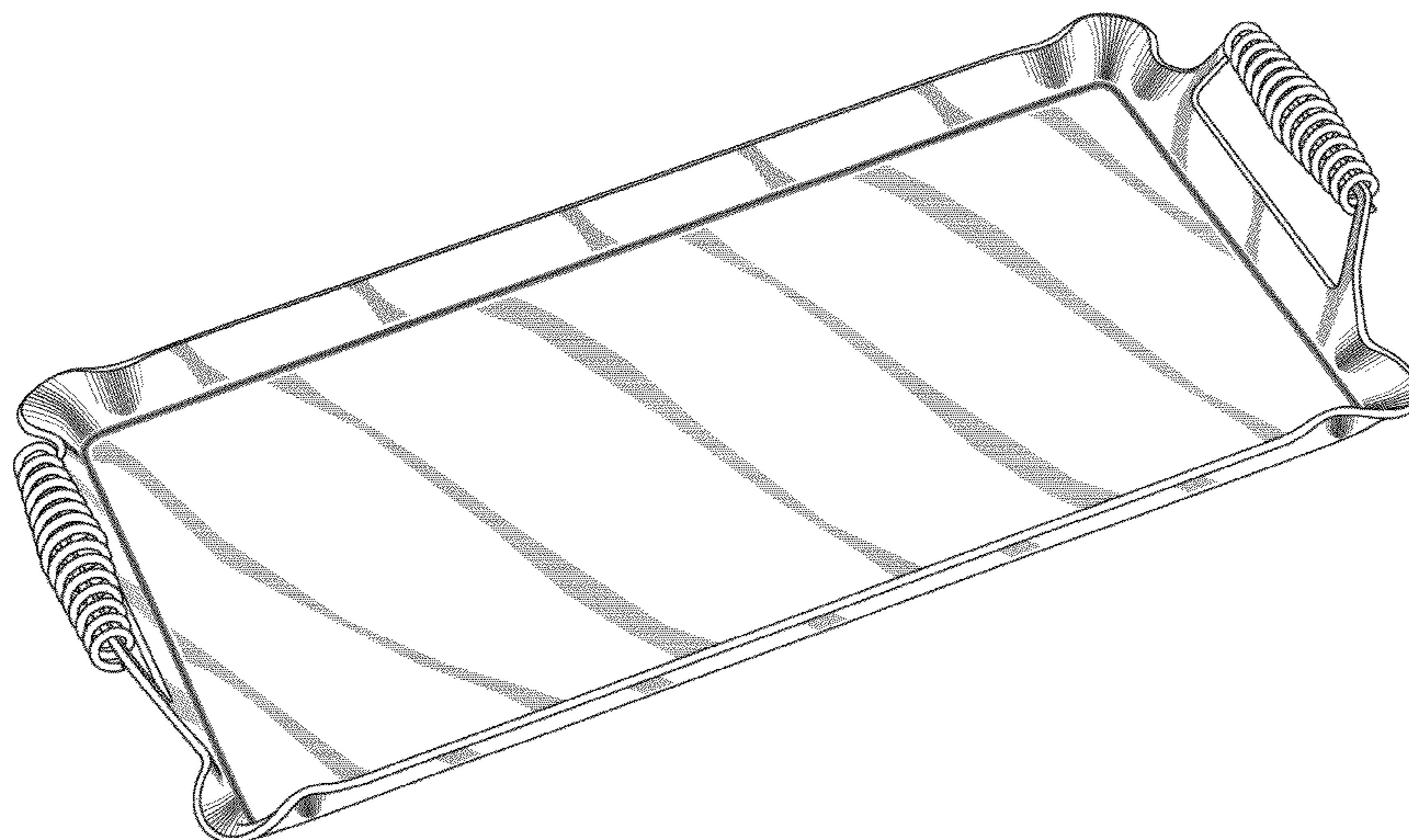
(57) **CLAIM**

The ornamental design for a griddle, as shown and described.

DESCRIPTION

FIG. 1 is a top perspective view showing my new design.
 FIG. 2 is a top view showing my new design.
 FIG. 3 is a first (right) side view showing my new design.
 FIG. 4 is a bottom view showing my new design.
 FIG. 5 is a second (left) side view showing my new design.
 Note that FIGS. 3 and 5 are identical.
 FIG. 6 is a front view showing my new design; and,
 FIG. 7 is a rear view showing my new design. Note that FIGS.
 6 and 7 are identical.

1 Claim, 4 Drawing Sheets



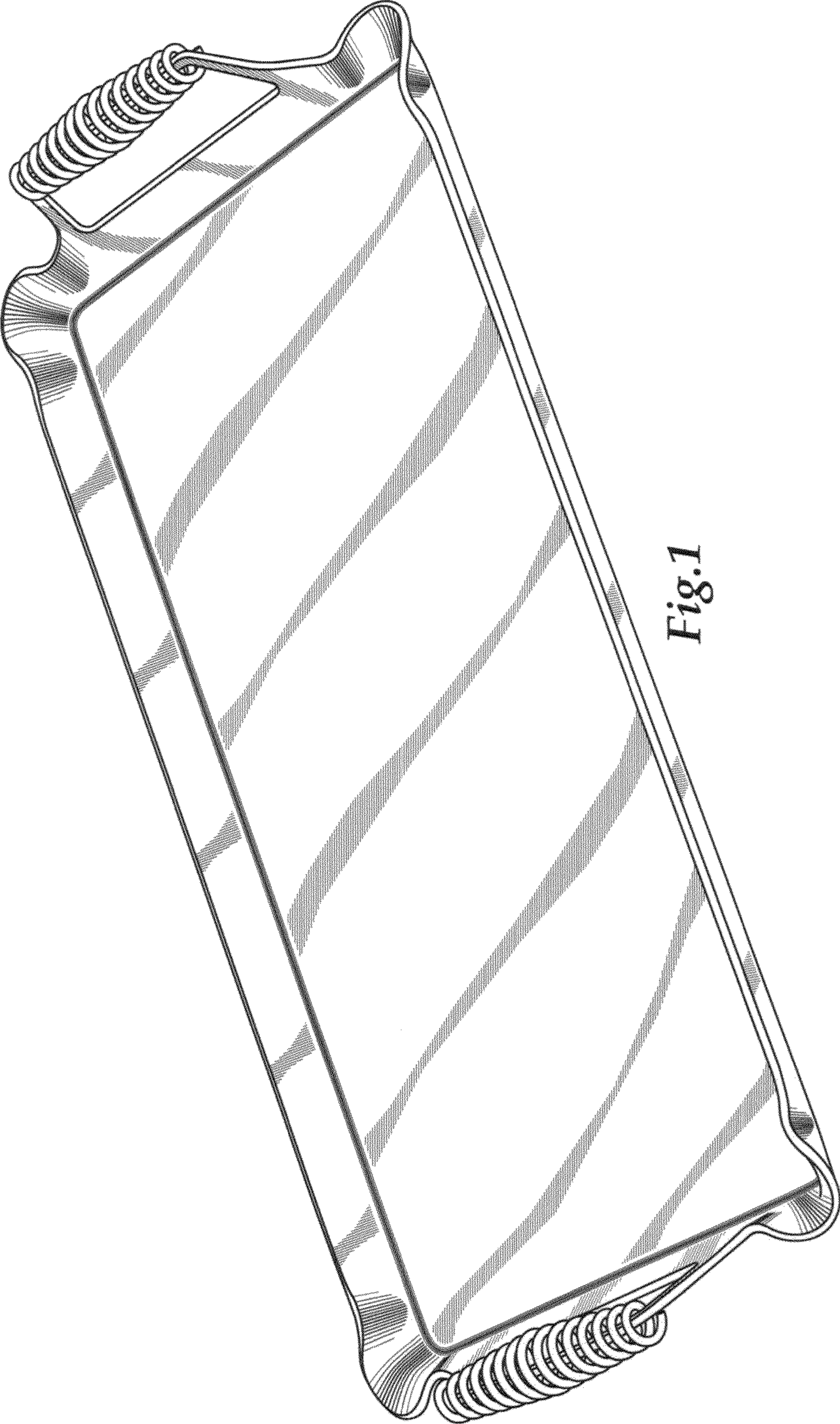


Fig. 1

Fig.2

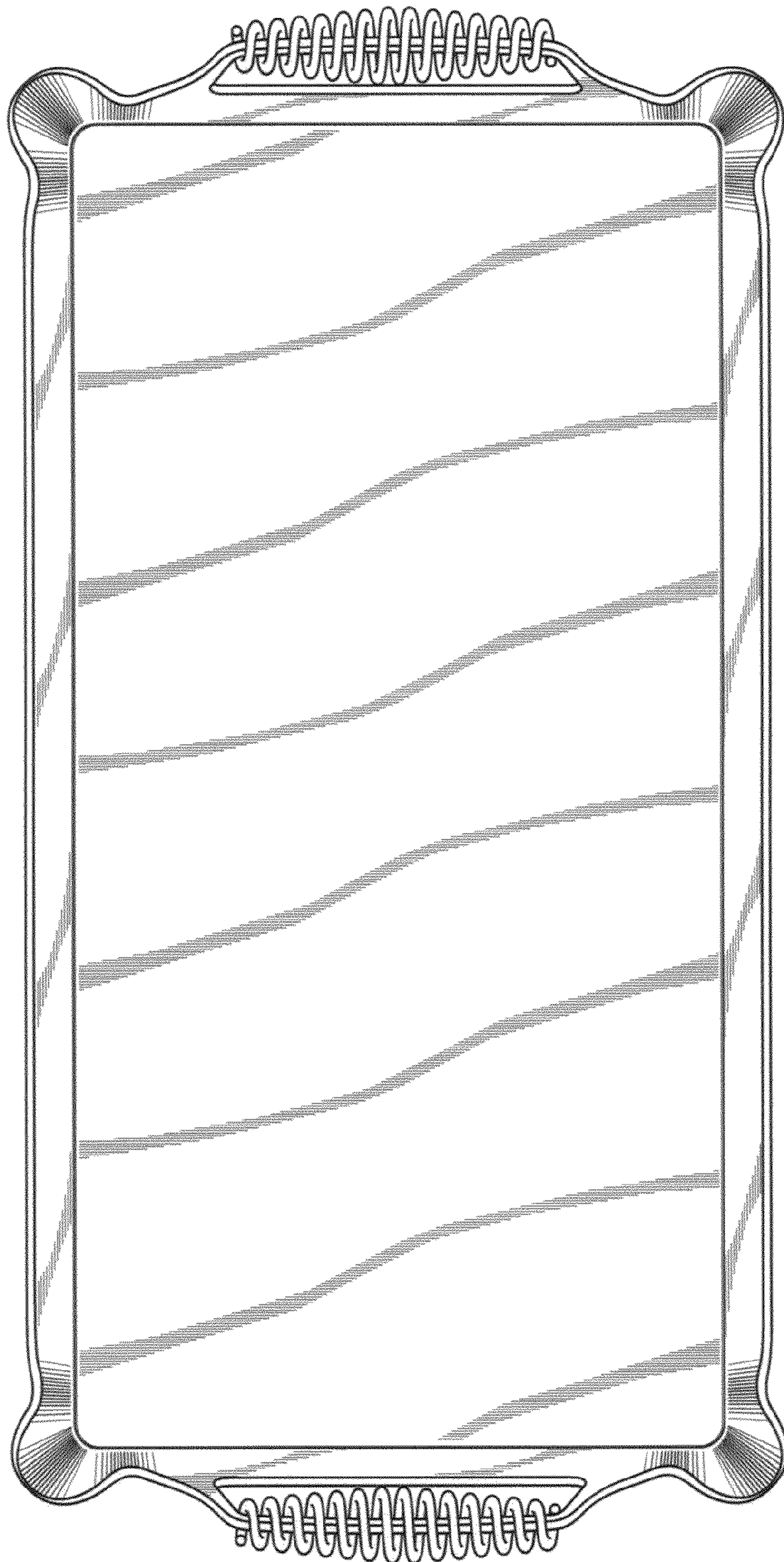


Fig.3

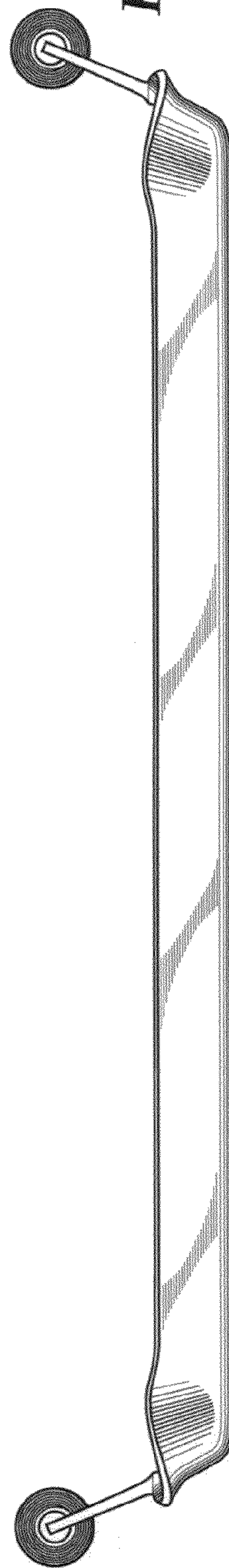


Fig.4

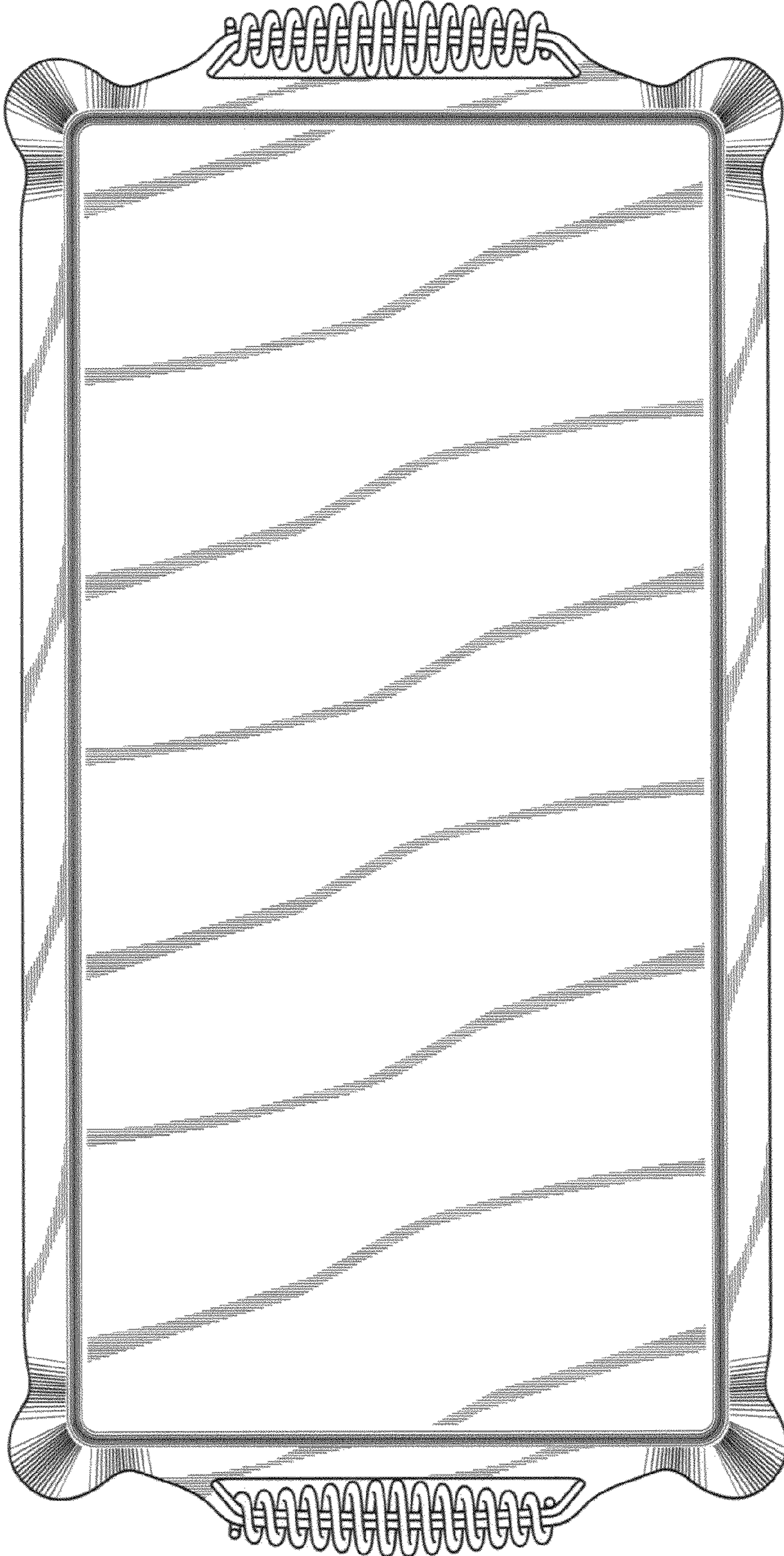
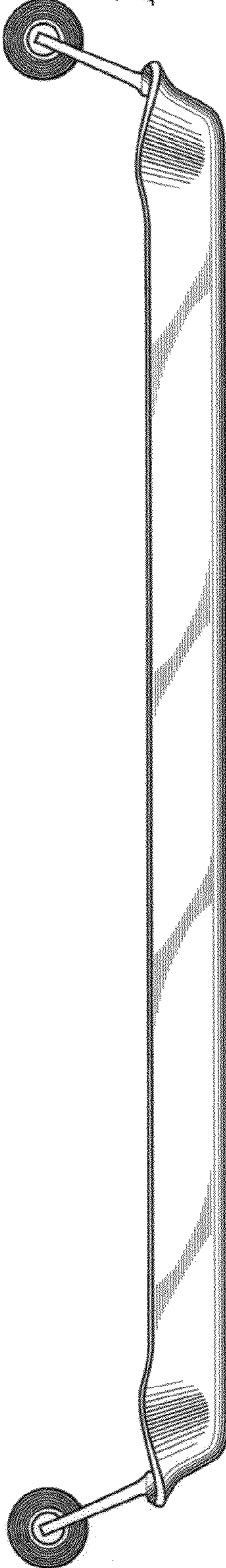


Fig.5



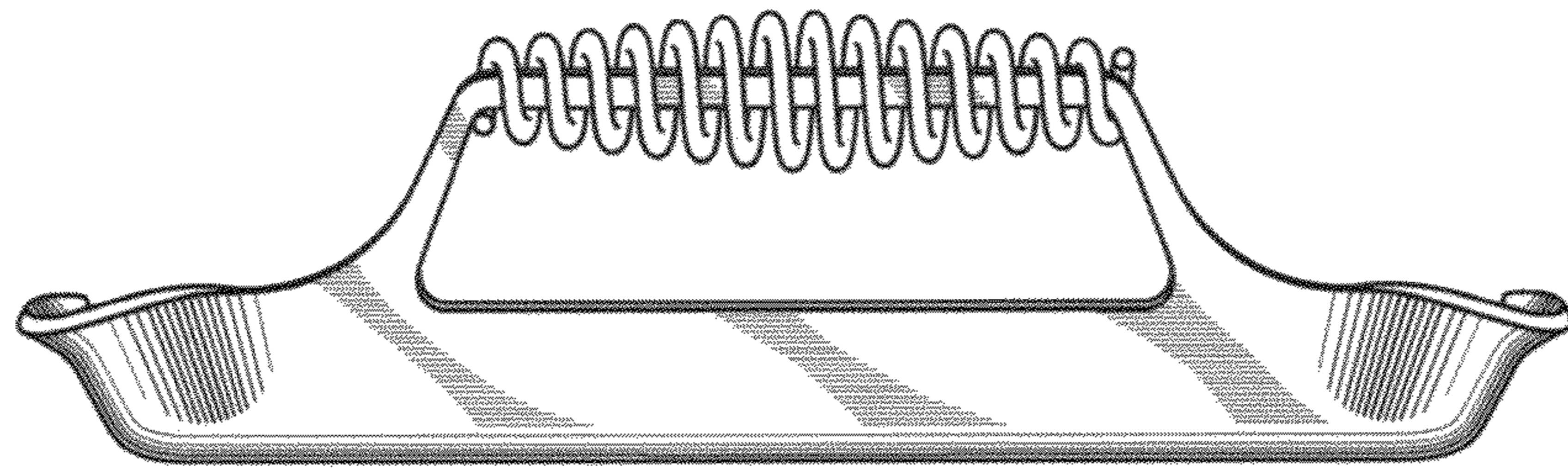


Fig. 6

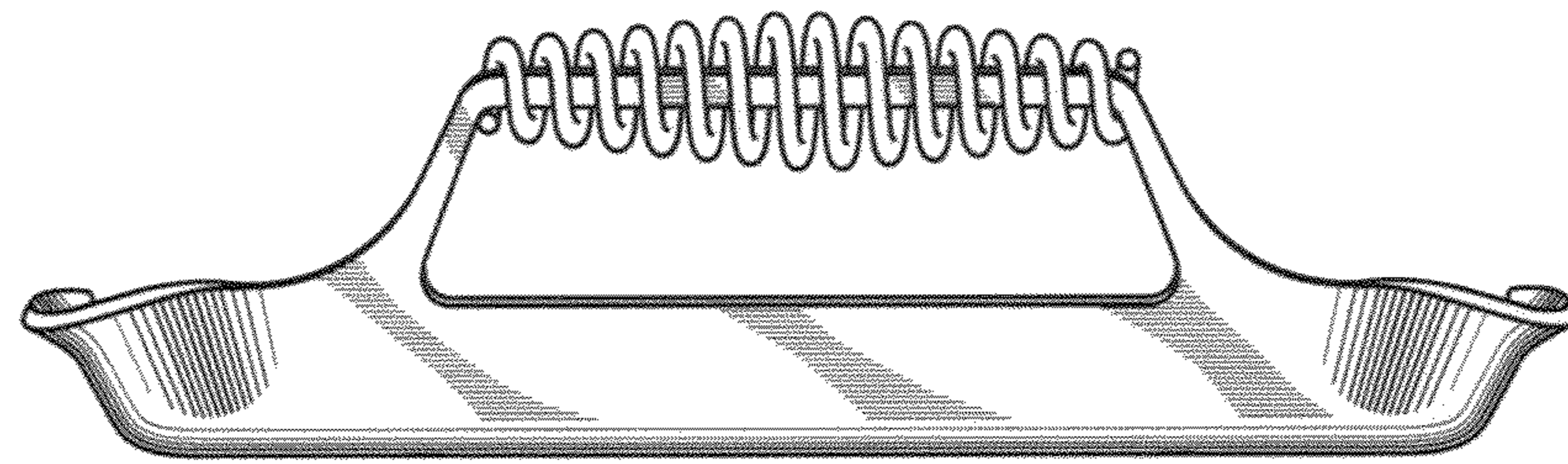


Fig. 7