

US00D754466S

(12) **United States Design Patent**
Stambolis

(10) **Patent No.:** **US D754,466 S**
(45) **Date of Patent:** **** Apr. 26, 2016**

(54) **SQUARE PAN WITH ARCHED HANDLE**

(56) **References Cited**

(71) Applicant: **RL Industry Company Ltd.**, Ningbo (CN)

U.S. PATENT DOCUMENTS

(72) Inventor: **Petros Stambolis**, New York, NY (US)

D314,253 S *	1/1991	Goetz	D30/129
5,203,836 A *	4/1993	Brazis	A47J 43/0727
				206/507
D367,582 S *	3/1996	Desbarres	D7/360
D399,702 S *	10/1998	Mishan	D7/354
D457,784 S *	5/2002	Torniainen	D7/543
D553,444 S *	10/2007	de Groot	D7/602
D564,711 S *	3/2008	Modi	D30/129
D572,077 S *	7/2008	Duke	D7/387
D587,568 S *	3/2009	Shields	D9/425
D606,811 S *	12/2009	Furlong	D7/602
D612,663 S *	3/2010	Galperin	D7/354
8,851,013 B2 *	10/2014	Tsengas	A01K 5/0114
				119/61.3
D717,120 S *	11/2014	Carlson	D7/602

(73) Assignee: **RL INDUSTRY COMPANY LTD.**, Ningbo (CN)

(**) Term: **14 Years**

(21) Appl. No.: **29/493,020**

(22) Filed: **Jun. 5, 2014**

(51) **LOC (10) Cl.** **07-02**

* cited by examiner

(52) **U.S. Cl.**
USPC **D7/354**

Primary Examiner — Ricky Pham
(74) *Attorney, Agent, or Firm* — Mark M. Friedman

(58) **Field of Classification Search**
USPC D7/323, 354–361, 387, 543, 545, 549,
D7/550.1, 552.1, 553.1–553.8,
D7/554.1–554.4, 555, 584, 586, 602;
D9/428–433, 455–456, 737, 756–762;
D30/129
CPC A01K 5/0114; A21B 3/00; A21B 3/13;
A21B 3/15; A21B 3/134; A21B 5/00; A21B
5/02; A47J 36/022; A47J 36/025; A47J 3/027;
A47J 37/00; A47J 37/04; A47J 43/0727;
B65D 1/22; B65D 1/24; B65D 1/34; B65D
1/36; B65D 81/343; B65D 85/36

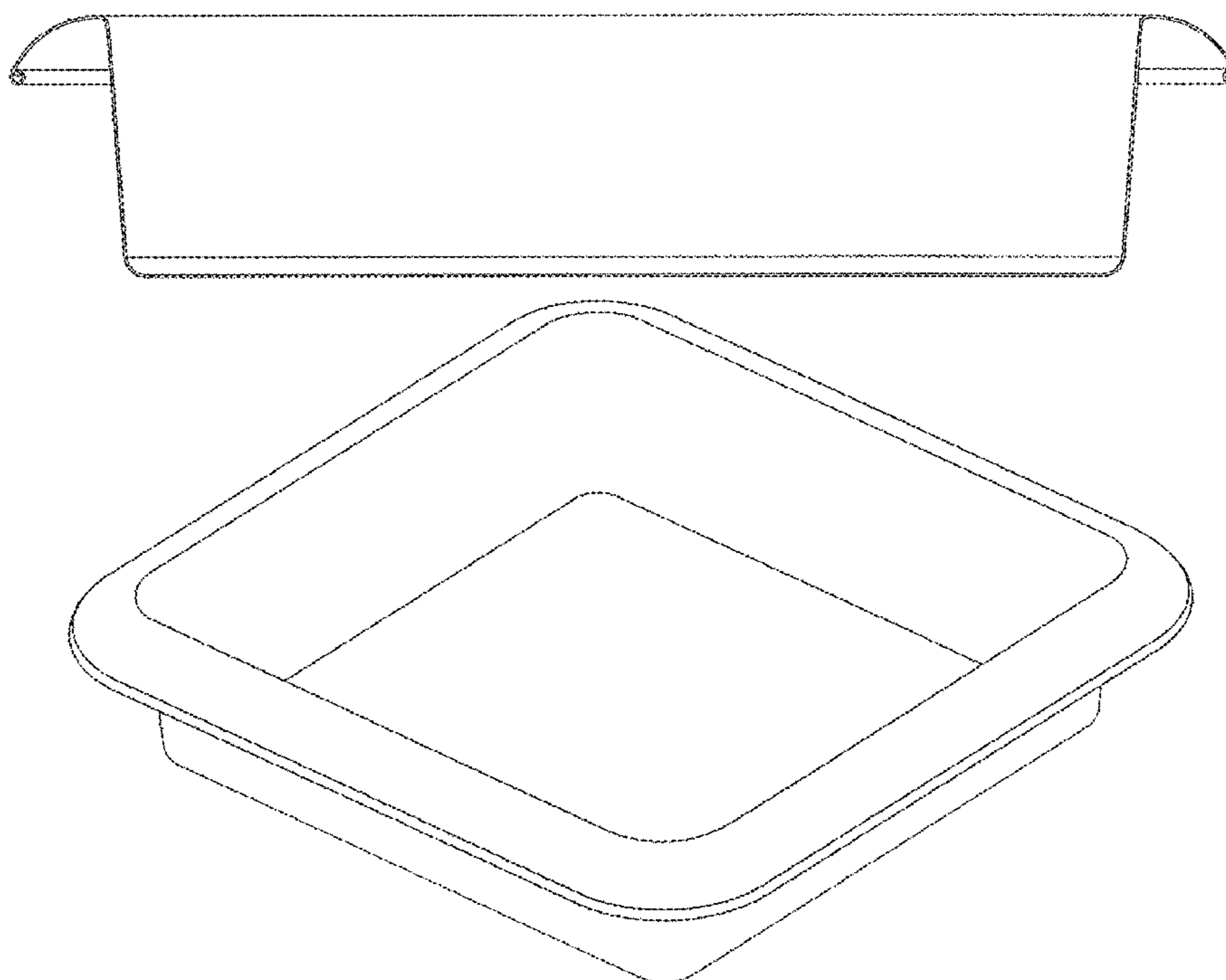
(57) **CLAIM**
The ornamental design for a square pan with arched handle,
as shown and described.

DESCRIPTION

FIG. 1 is a front view of a square pan with arched handle showing my design;
FIG. 2 is a right side view thereof;
FIG. 3 is a left side view thereof;
FIG. 4 is a top view thereof;
FIG. 5 is a cross-sectional view taken along line 5-5 of FIG. 4 thereof;
FIG. 6 is a bottom view thereof; and,
FIG. 7 is a perspective view thereof.

See application file for complete search history.

1 Claim, 7 Drawing Sheets



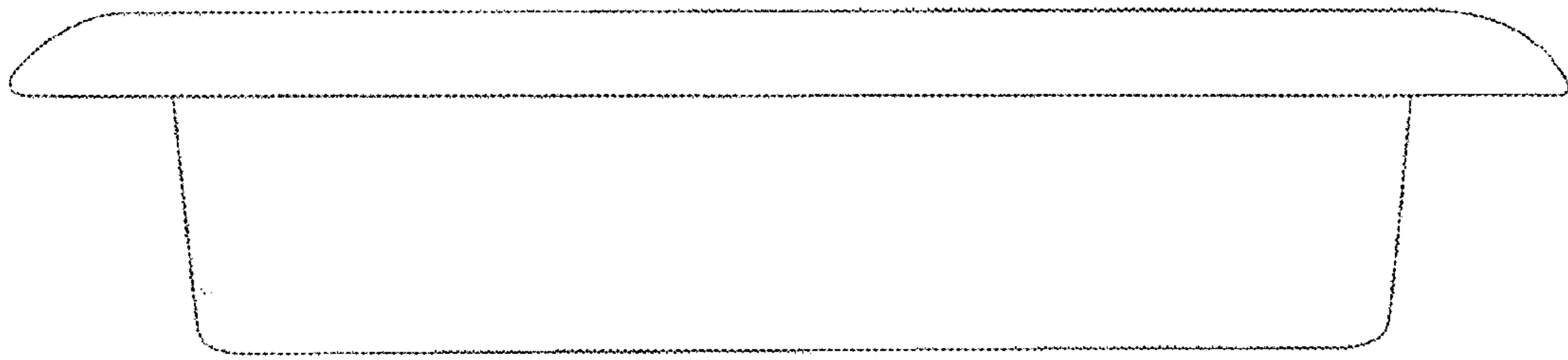


FIG. 1

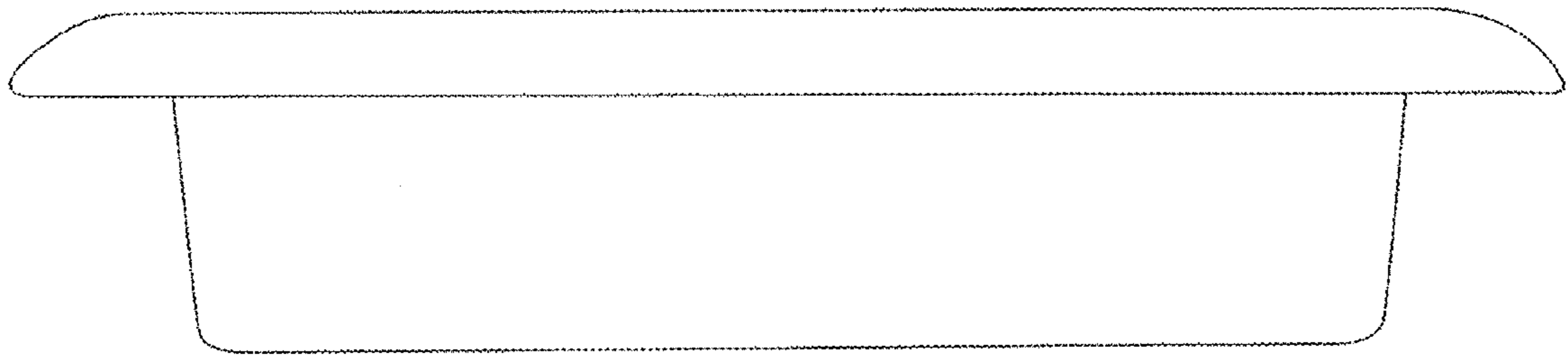


FIG. 2

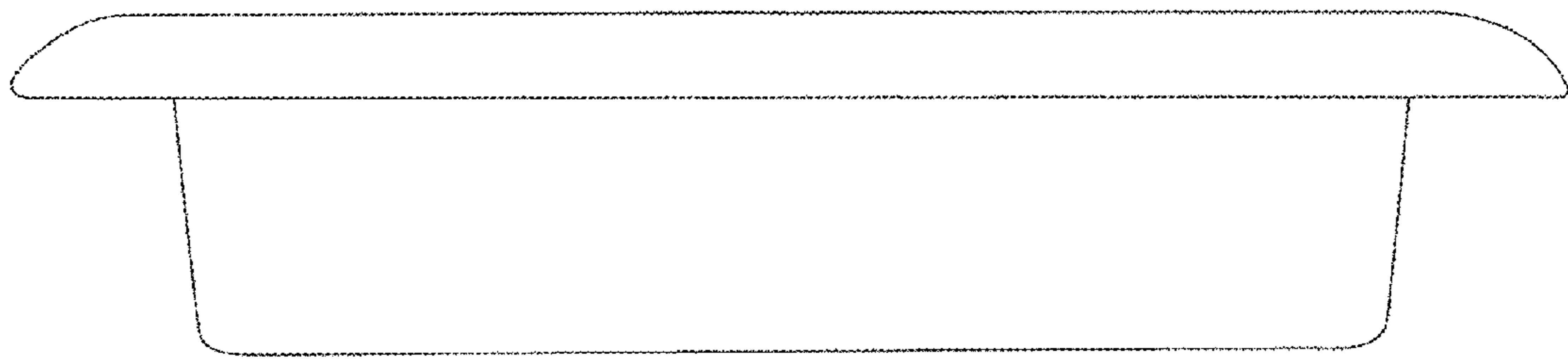


FIG. 3

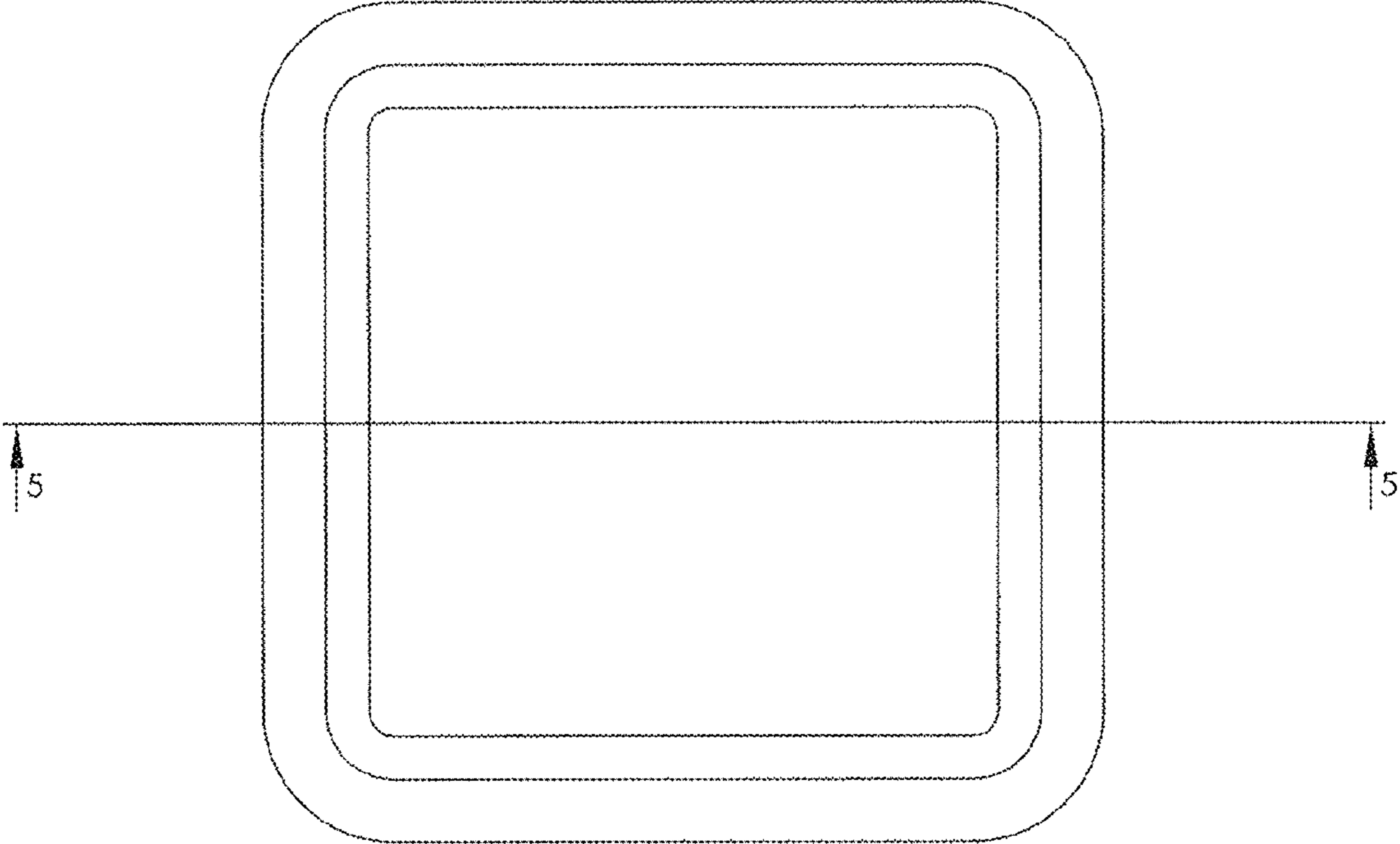


FIG. 4

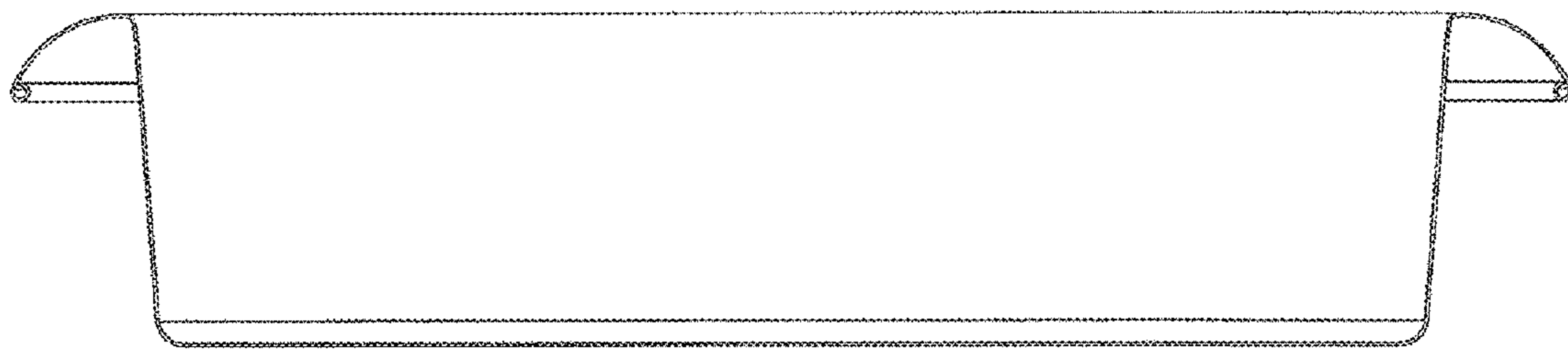


FIG. 5

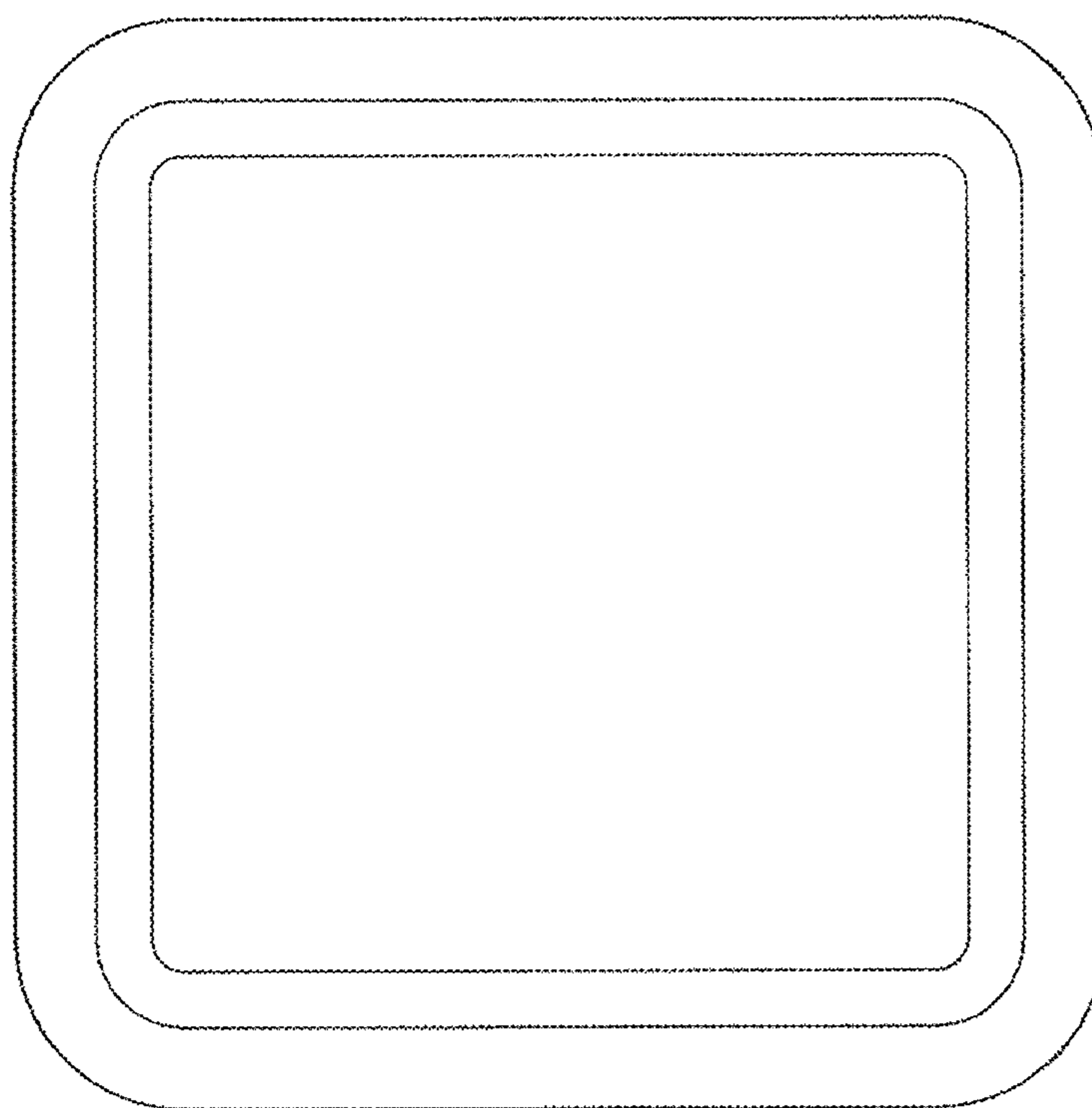


FIG. 6

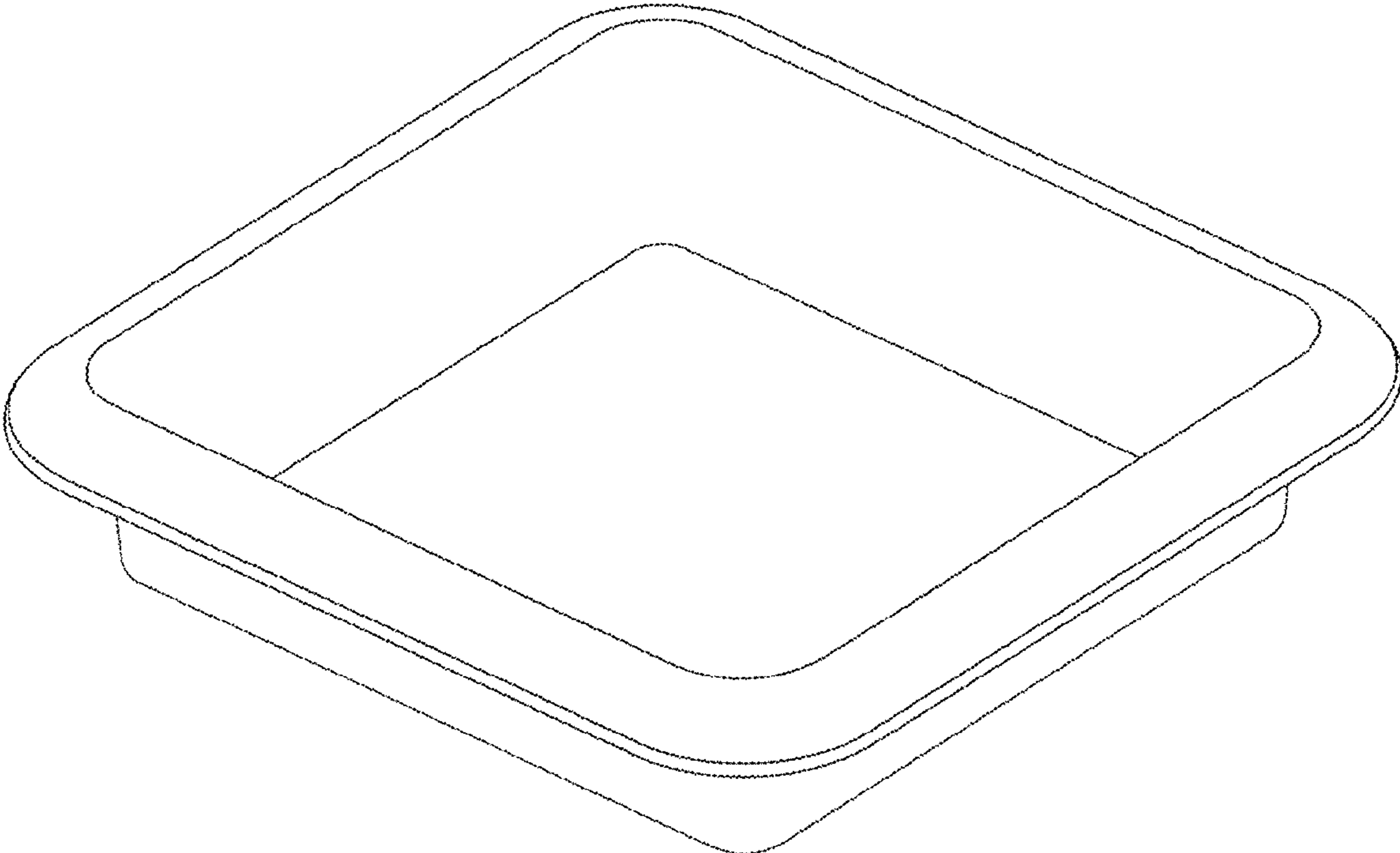


FIG. 7