

US00D754463S

(12) **United States Design Patent**
Frye

(10) **Patent No.:** **US D754,463 S**

(45) **Date of Patent:** **** Apr. 26, 2016**

(54) **CHAIR**

(71) Applicant: **T. Allen Frye**, Heflin, LA (US)

(72) Inventor: **T. Allen Frye**, Heflin, LA (US)

(**) Term: **14 Years**

(21) Appl. No.: **29/451,375**

(22) Filed: **Apr. 1, 2013**

(51) **LOC (10) Cl.** **06-01**

(52) **U.S. Cl.**
USPC **D6/716**

(58) **Field of Classification Search**
USPC D6/334, 335, 336, 379, 381, 369, 349,
D6/707.2, 708, 337, 338, 708.23, 716;
297/94, 118, 232, 445.1, 448.1, DIG. 7
CPC A47C 17/00; A47C 17/02; A47C 17/12;
A47C 17/18; A47C 7/021; A47C 31/00;
A47C 3/16
See application file for complete search history.

(56) **References Cited**

U.S. PATENT DOCUMENTS

4,105,245	A *	8/1978	Simons et al.	296/65.09
D251,997	S *	6/1979	Pelly	D6/356
4,946,223	A *	8/1990	Croft et al.	297/367 R
D335,037	S *	4/1993	Montague et al.	D6/364
5,415,458	A *	5/1995	Kim	297/378.14
5,562,325	A *	10/1996	Moberg	297/378.13
5,692,335	A *	12/1997	Magnuson	43/54.1
6,015,190	A *	1/2000	Wend	297/378.1
D439,723	S	3/2001	Avery	
6,382,694	B1 *	5/2002	Rankin et al.	296/65.16
6,394,551	B1 *	5/2002	Beukema	297/391
D468,922	S *	1/2003	de Blois	D6/374
D483,191	S *	12/2003	Murphy	D6/356
D504,784	S *	5/2005	Hahn et al.	D6/356
6,991,285	B1 *	1/2006	Hemenway	297/94
D516,824	S *	3/2006	Murphy	D6/356
D547,077	S *	7/2007	Cantrill et al.	D6/356
D573,379	S *	7/2008	Muller	D6/502
D607,655	S *	1/2010	Kubryk	D6/380
D607,657	S *	1/2010	Kubryk	D6/380
D607,658	S *	1/2010	Kubryk	D6/380

D607,659	S *	1/2010	Kubryk	D6/380
D607,660	S *	1/2010	Kubryk	D6/380
D608,550	S *	1/2010	Sollberger et al.	D6/335
D677,916	S *	3/2013	Beckenbach	D6/356
D678,689	S *	3/2013	Beckenbach	D6/356
D684,385	S *	6/2013	Ashley et al.	D6/356

* cited by examiner

Primary Examiner — Sandra Snapp

(74) *Attorney, Agent, or Firm* — R. Keith Harrison

(57) **CLAIM**

The ornamental designs for a chair, as shown and described.

DESCRIPTION

FIG. 1 is a rear perspective view of a chair, with an outboard motor shown in dashed lines and which outboard motor does not form a part of the claimed design;

FIG. 2 is a front view of the chair, with an outboard motor shown in dashed lines and which outboard motor does not form a part of the claimed design;

FIG. 3 is a rear view of the chair, with an outboard motor shown in dashed lines and which outboard motor does not form a part of the claimed design;

FIG. 4 is a left side view of the chair, with an outboard motor shown in dashed lines and which outboard motor does not form a part of the claimed design;

FIG. 5 is a right side view of the chair, with an outboard motor shown in dashed lines and which outboard motor does not form a part of the claimed design;

FIG. 6 is a top view of the chair;

FIG. 7 is a bottom view of the chair, with a throttle handle shown in dashed lines and which throttle handle does not form a part of the claimed design;

FIG. 8 is a rear perspective view of a second embodiment of a chair, with a portion of an outboard motor shown in dashed lines and which portion of an outboard motor does not form a part of the claimed design;

FIG. 9 is a front elevation view of the chair, with a portion of the outboard motor shown in dashed lines and which portion of the outboard motor does not form any part of the claimed design;

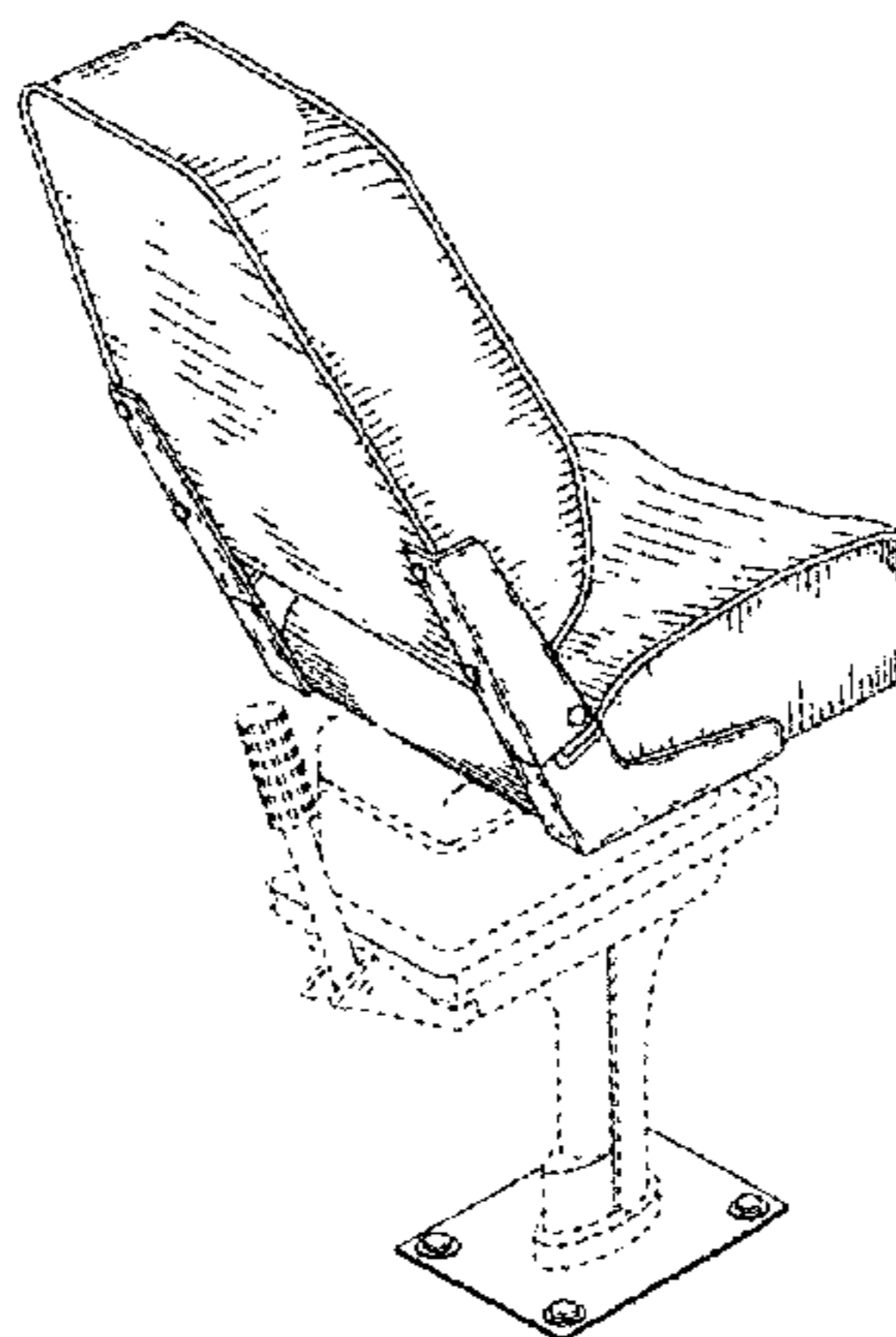


FIG. 10 is a rear elevation view of the chair, with a portion of the outboard motor shown in dashed lines and which portion of the outboard motor does not form any part of the claimed design;

FIG. 11 is a right side elevation view of the chair, with a portion of the outboard motor shown in dashed lines and which portion of the outboard motor does not form any part of the claimed design;

FIG. 12 is a left side elevation view of the chair, with a portion of the outboard motor shown in dashed lines and which portion of the outboard motor does not form any part of the claimed design;

FIG. 13 is a top plan view of the chair;

FIG. 14 is a bottom plan view of the chair, with a portion of the outboard motor shown in dashed lines and which portion of the outboard motor does not form any part of the claimed design;

FIG. 15 is a front elevation view of a third embodiment of a chair, with a portion of the outboard motor shown in dashed lines and which portion of the outboard motor does not form any part of the claimed design;

FIG. 16 is a rear elevation view of the chair, with a portion of the outboard motor shown in dashed lines and which portion of the outboard motor does not form any part of the claimed design;

FIG. 17 is a right side elevation view of the chair, with a portion of the outboard motor shown in dashed lines and which portion of the outboard motor does not form any part of the claimed design;

FIG. 18 is a left side elevation view of the chair, with a portion of the outboard motor shown in dashed lines and which portion of the outboard motor does not form any part of the claimed design;

FIG. 19 is a top plan view of the chair; and,

FIG. 20 is a bottom plan view of the chair, with a portion of the outboard motor shown in dashed lines and which portion of the outboard motor does not form any part of the claimed design.

The drawing disclosure of this application includes broken line depictions of an outboard motor of a chair, which outboard motor does not form a part of the claimed design.

1 Claim, 8 Drawing Sheets

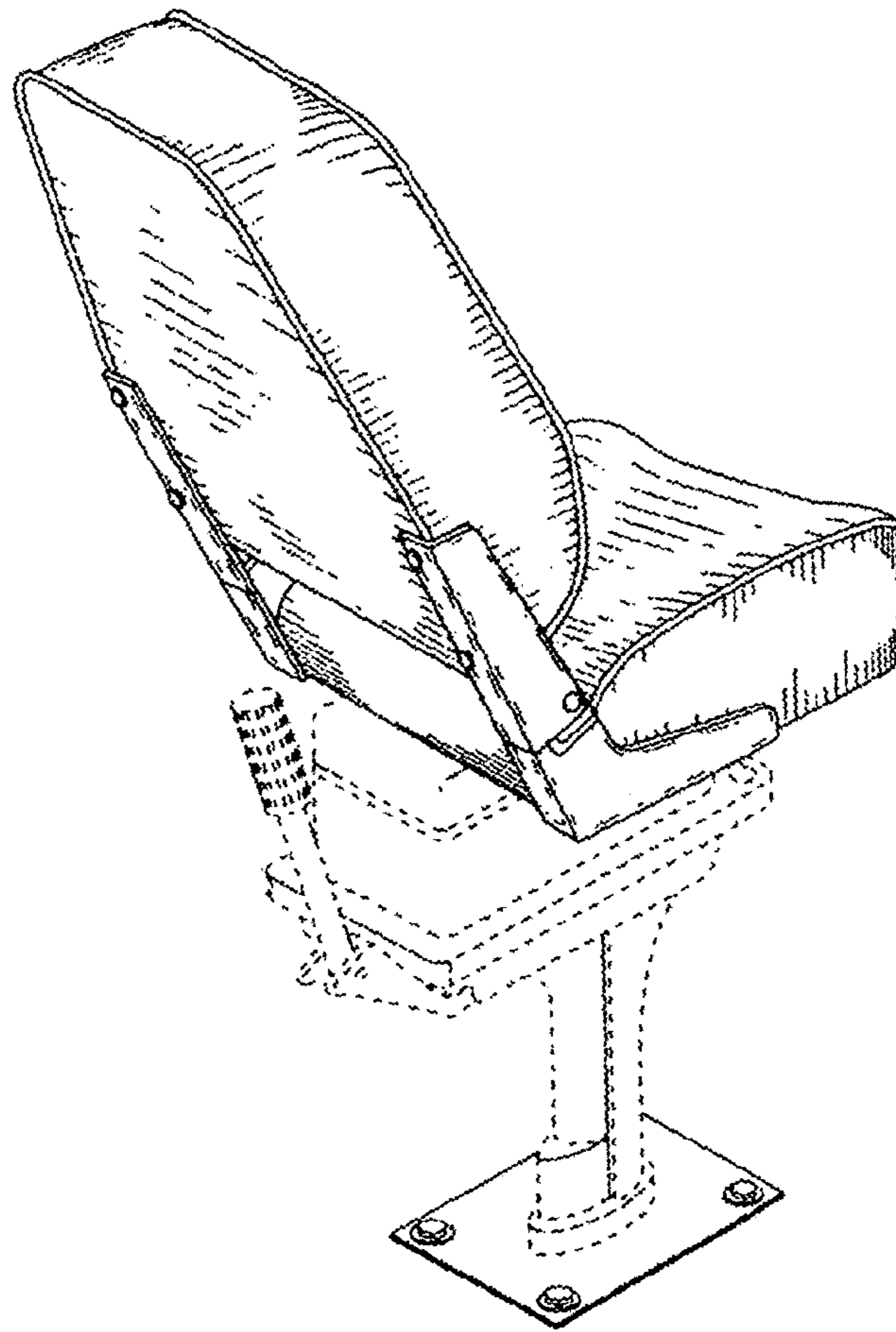


FIG. 1

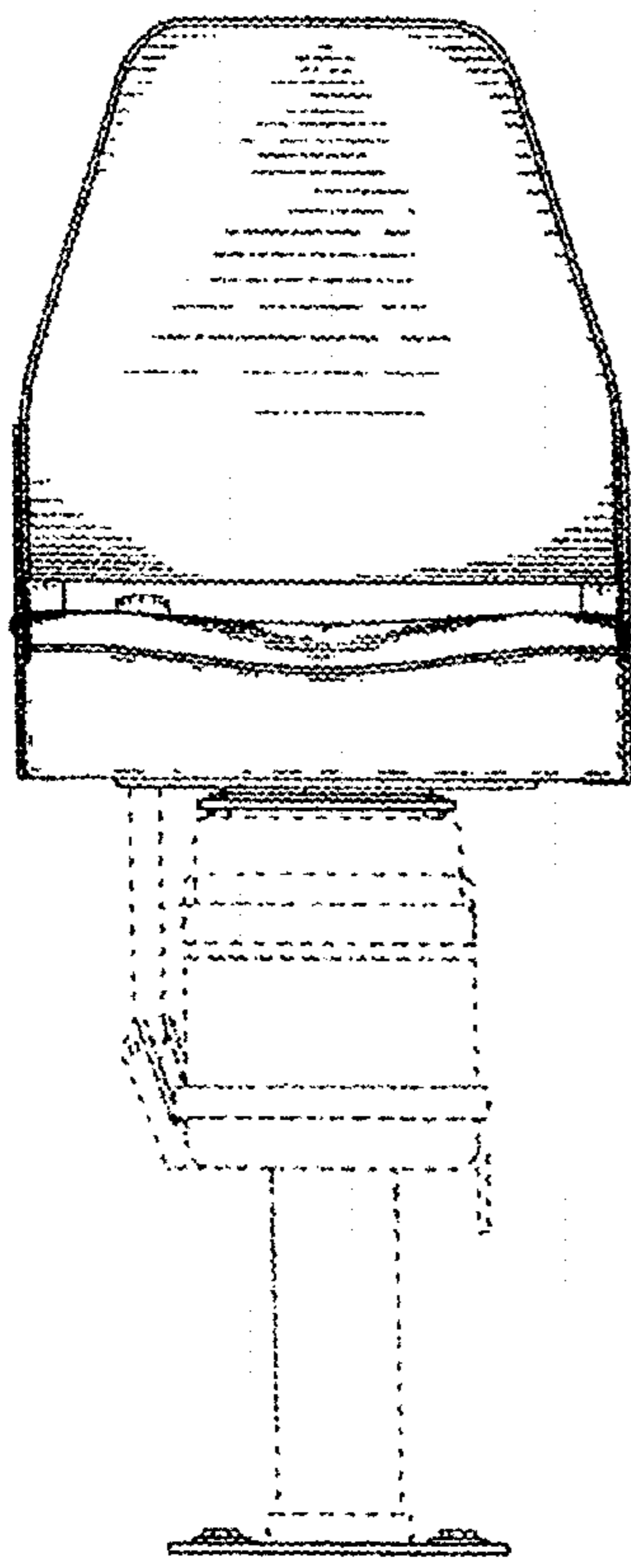


FIG. 2

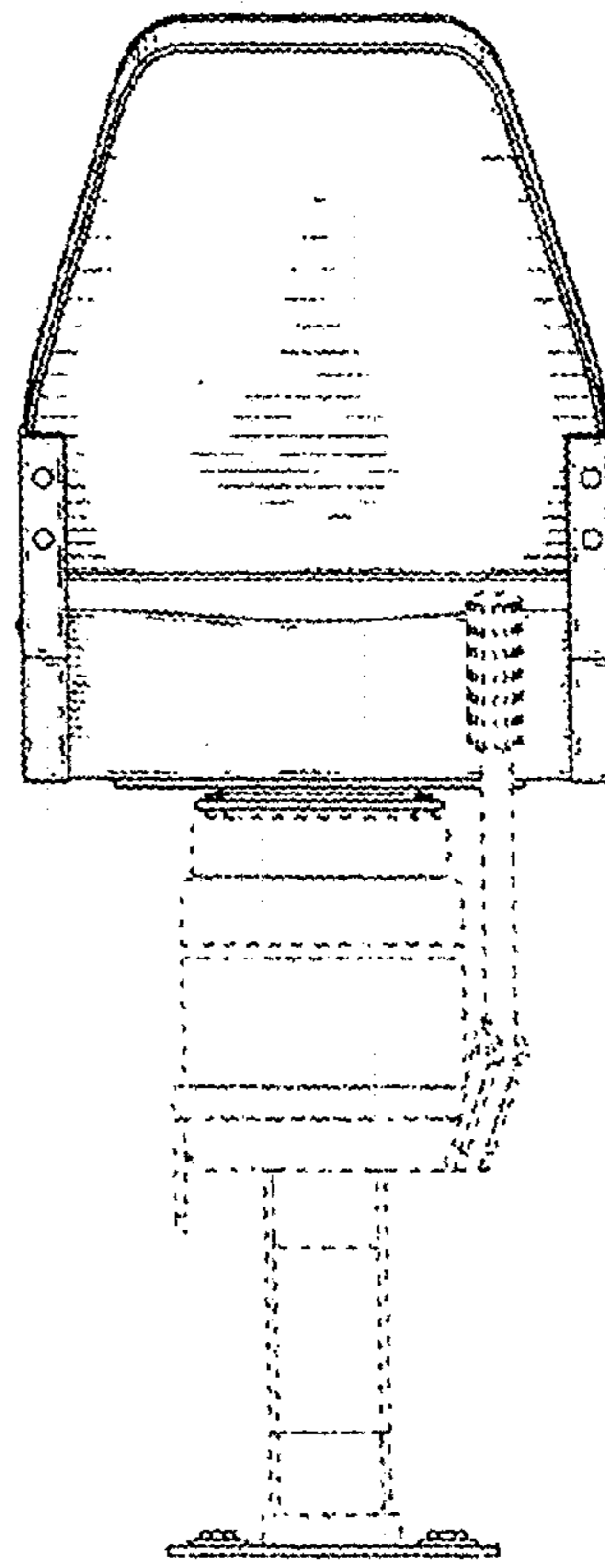


FIG. 3

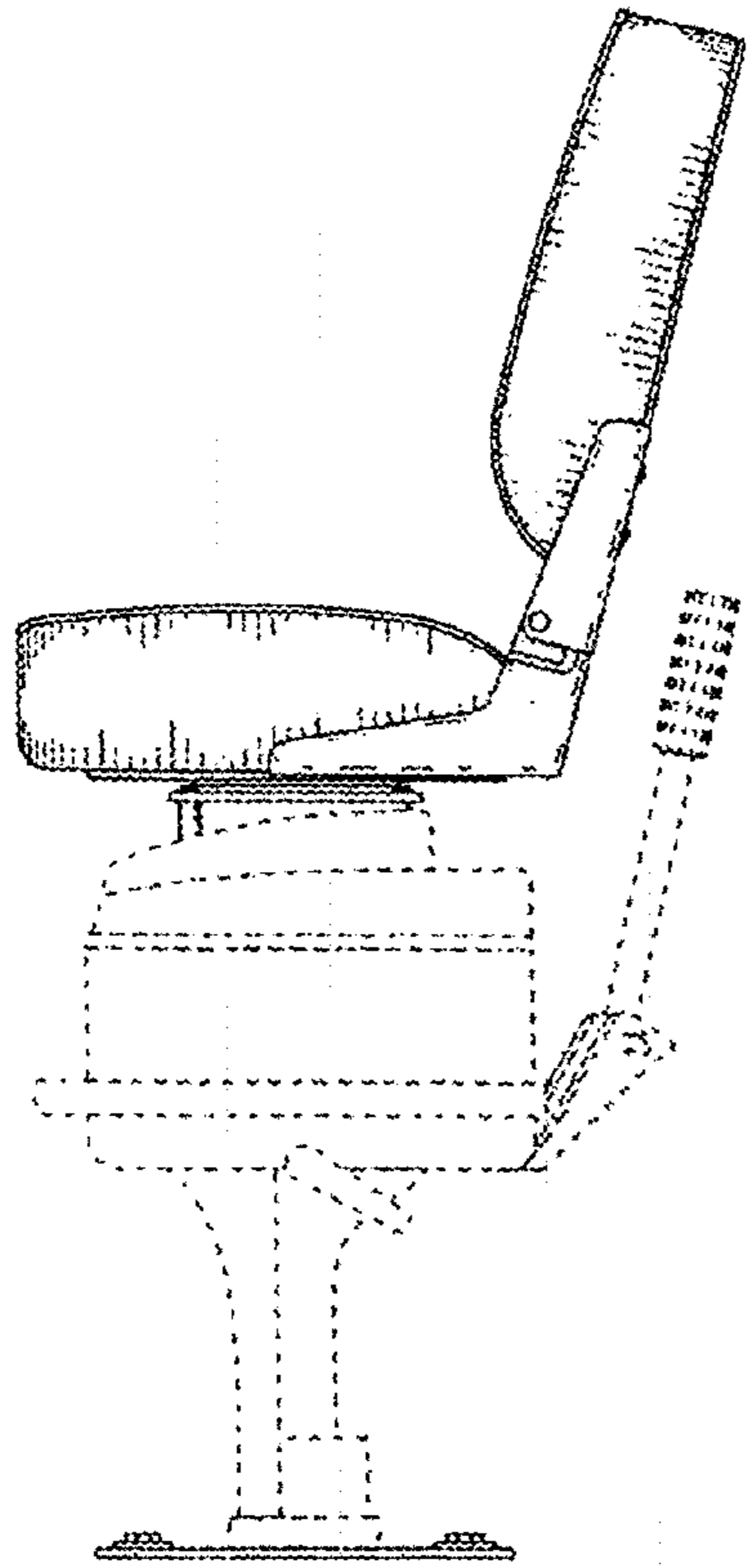


FIG. 4

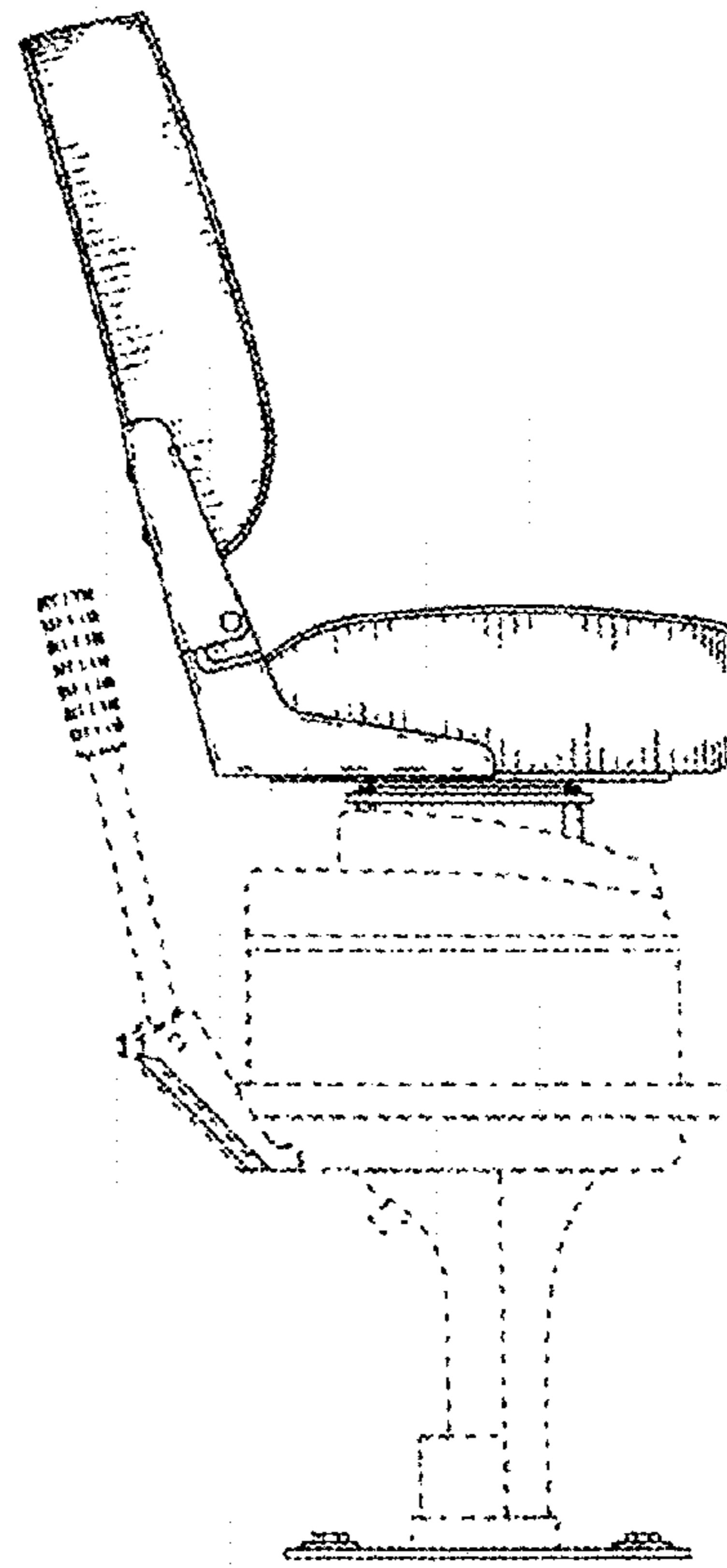


FIG. 5

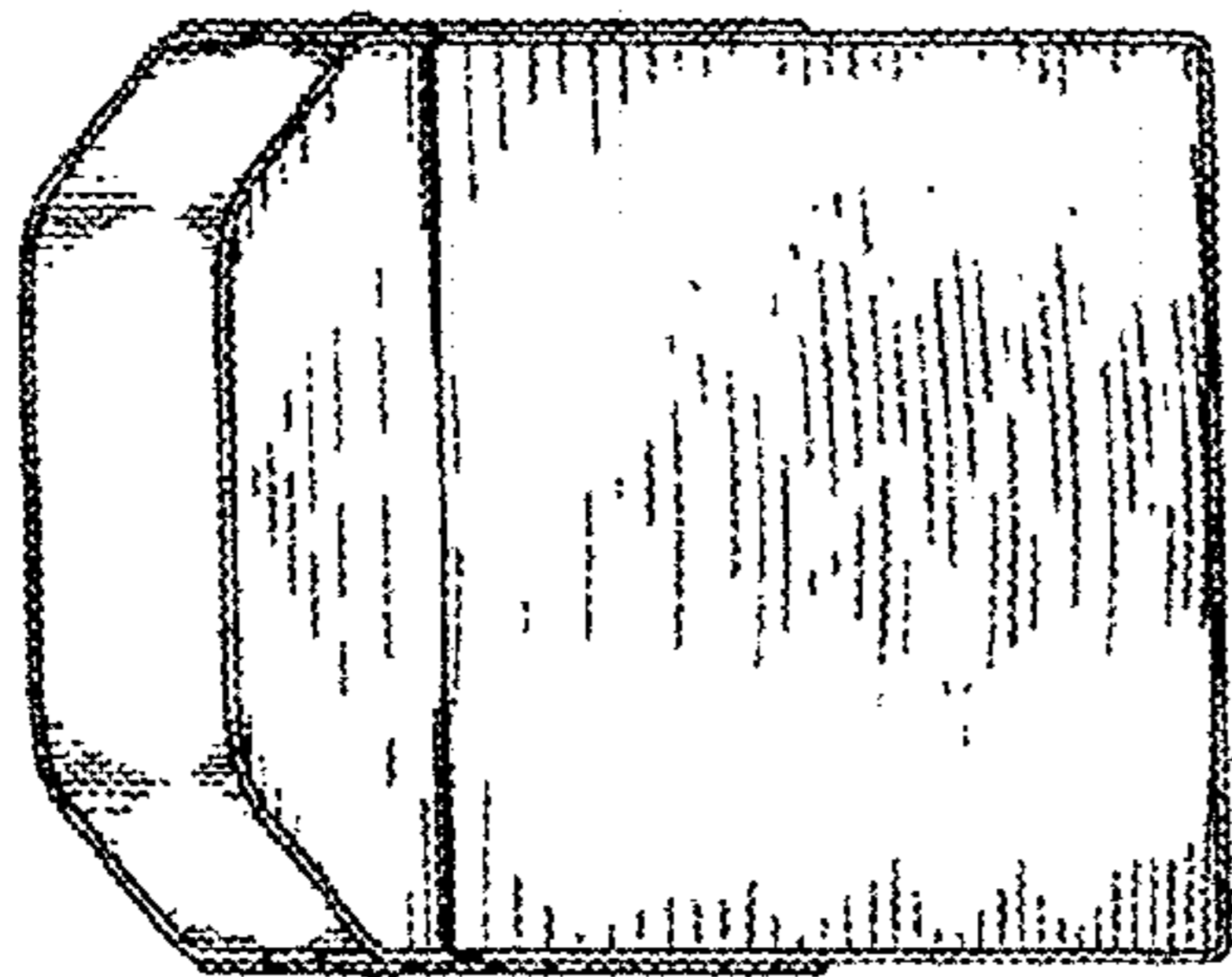


FIG. 6

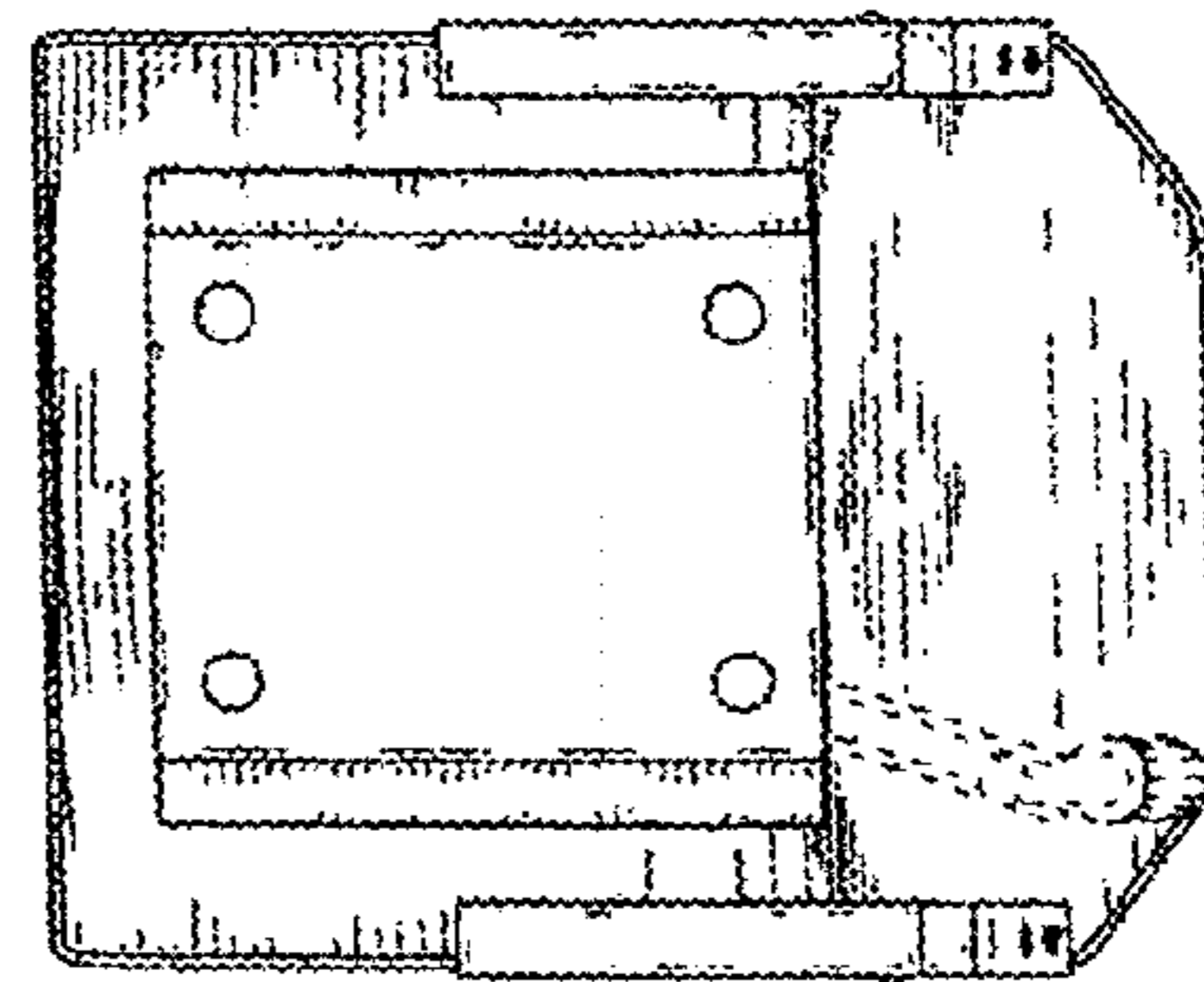


FIG. 7

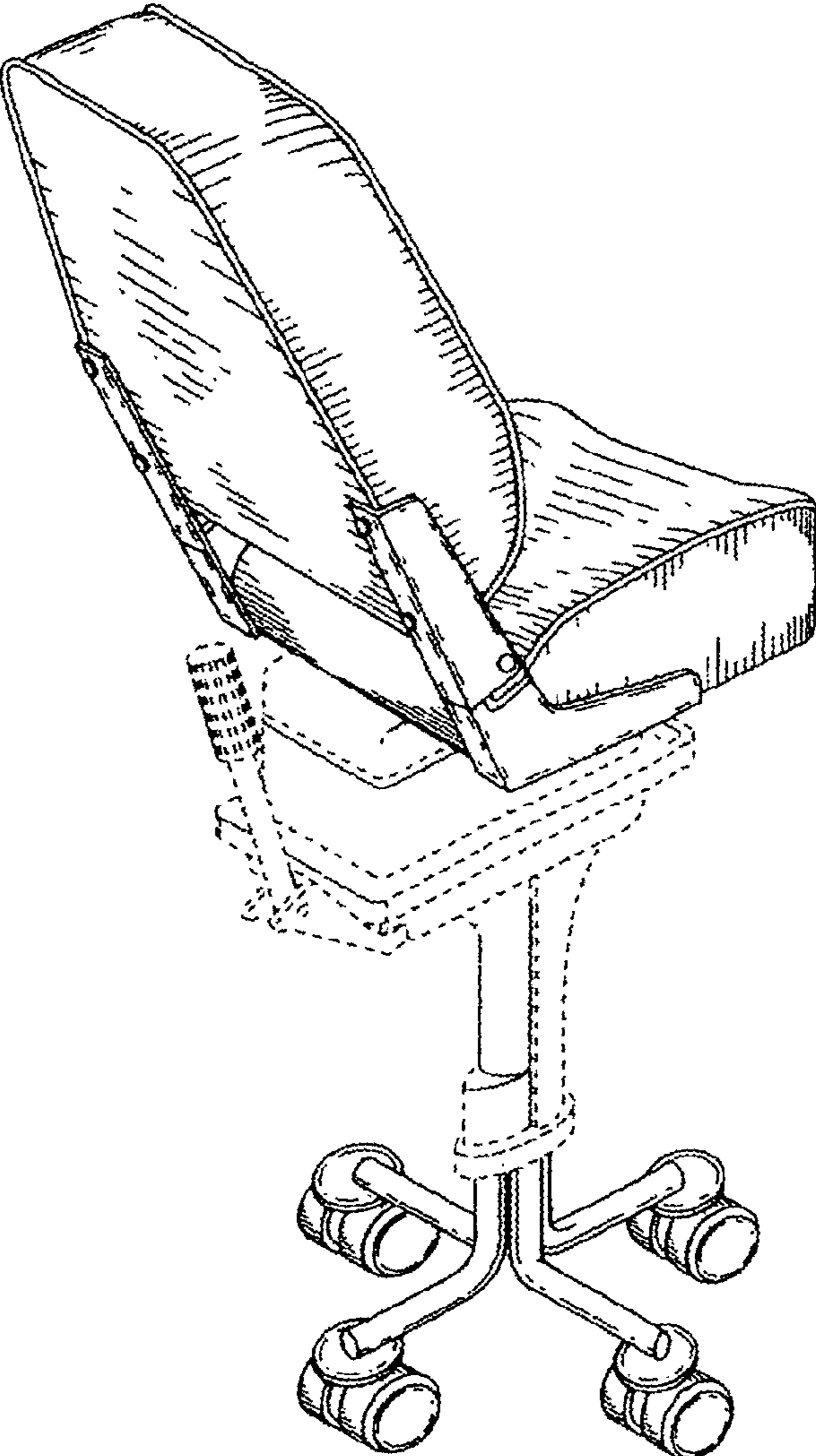


FIG. 8

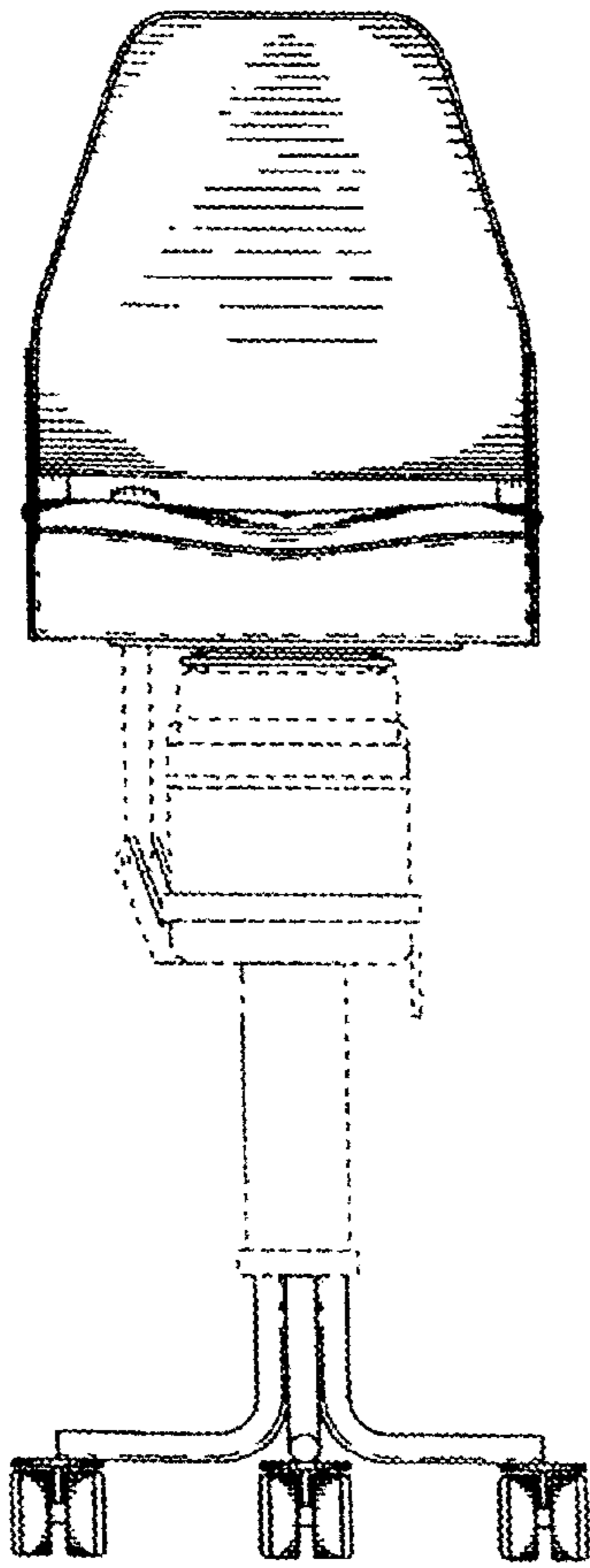


FIG. 9

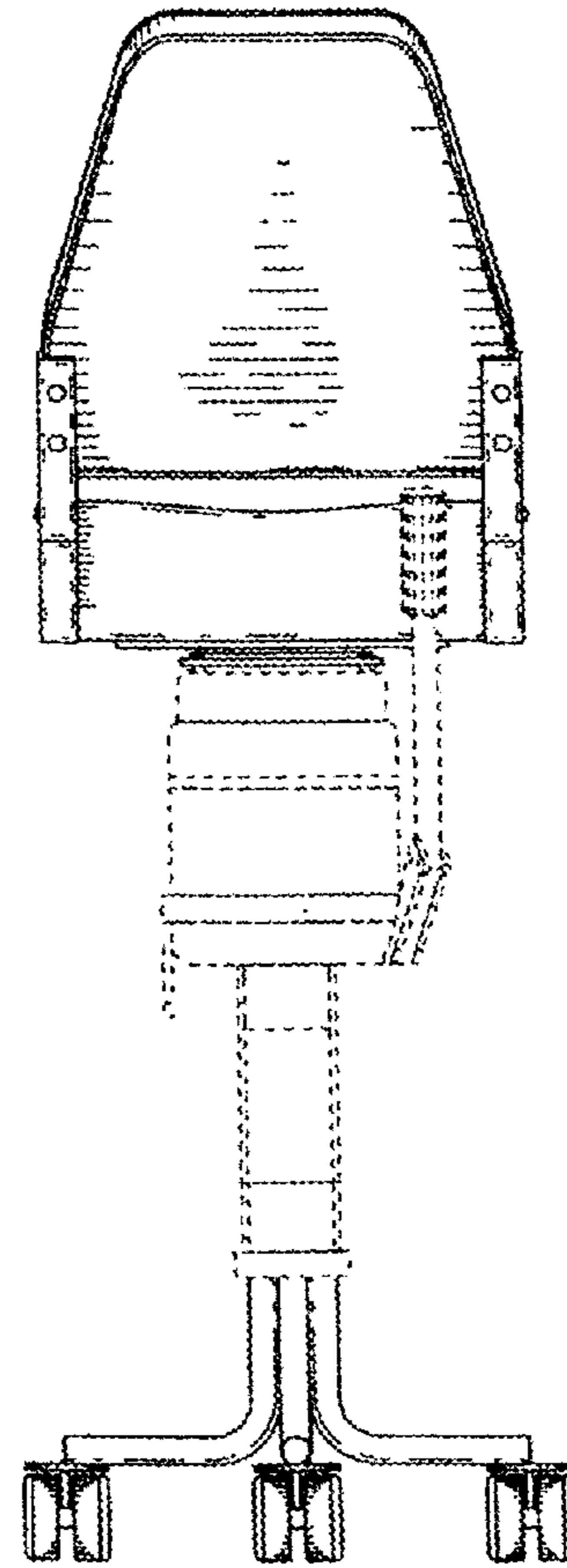


FIG. 10

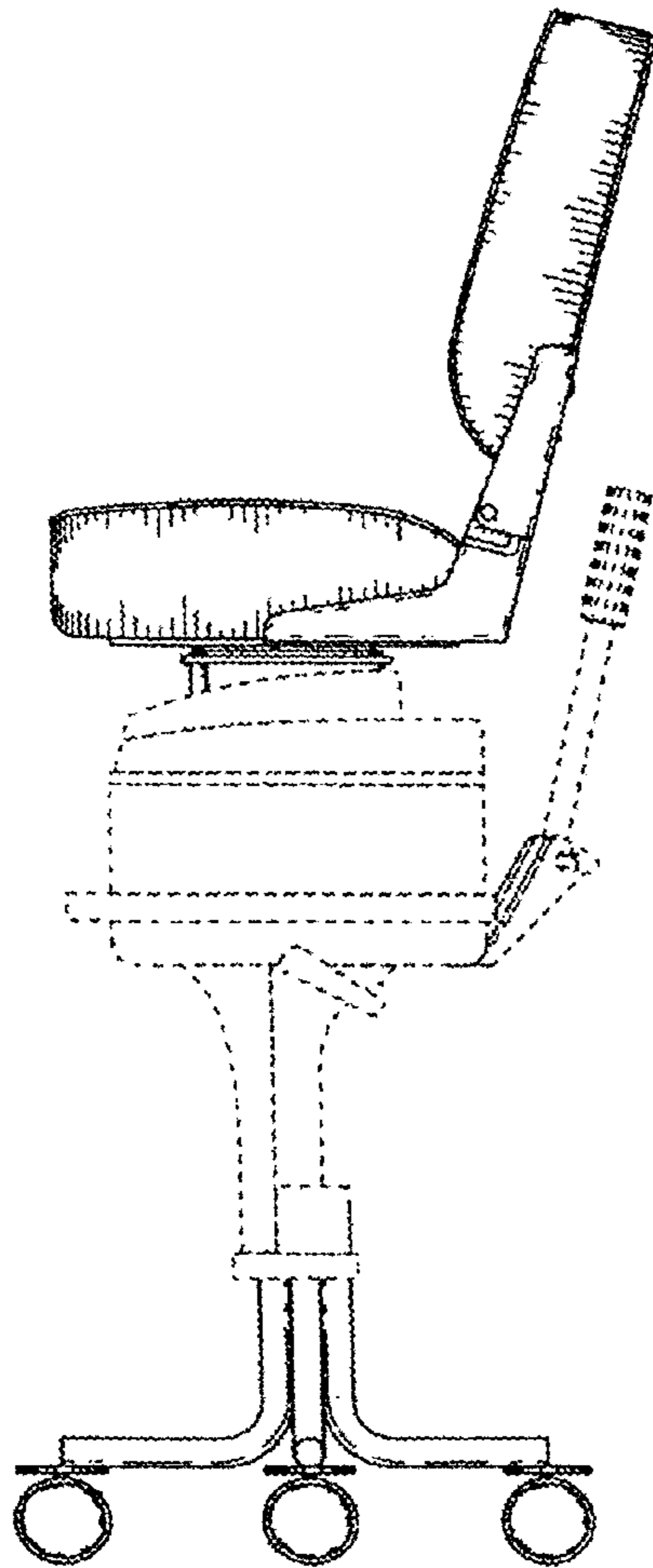


FIG. 11

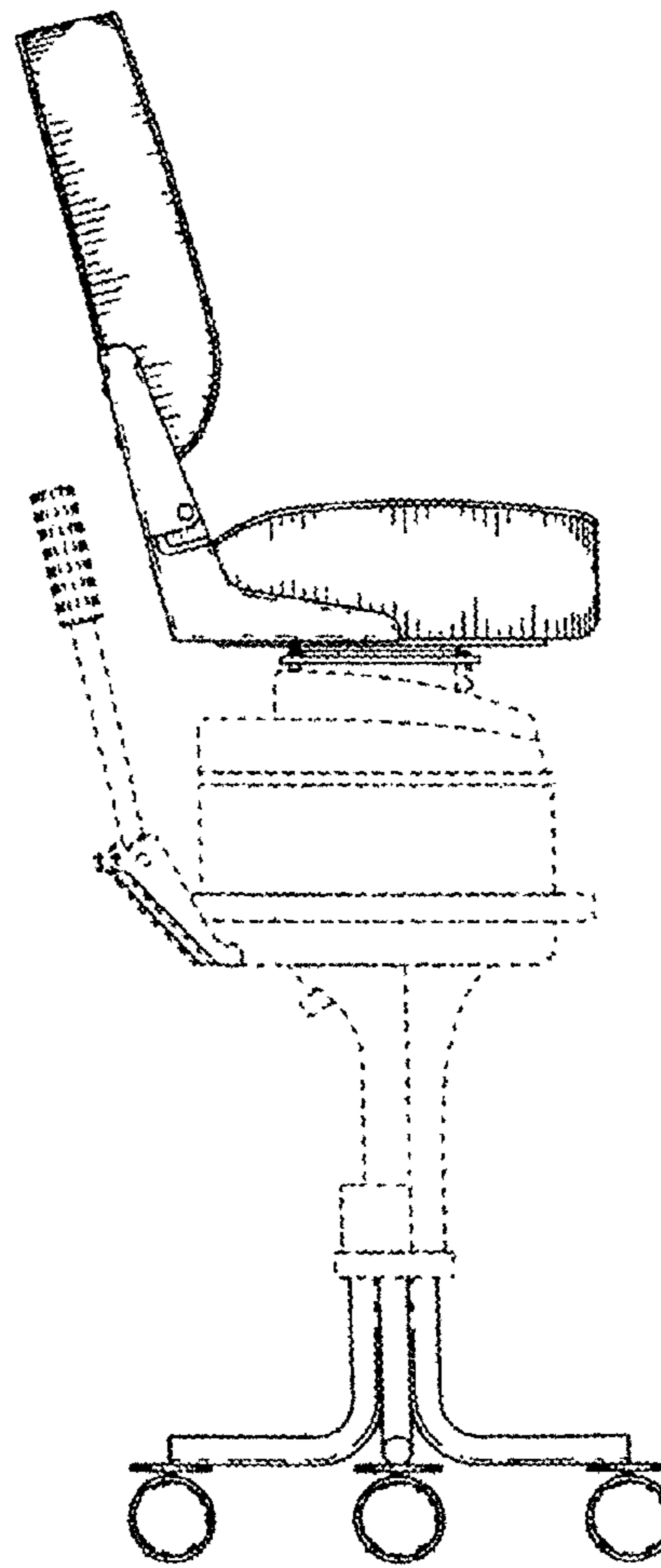


FIG. 12

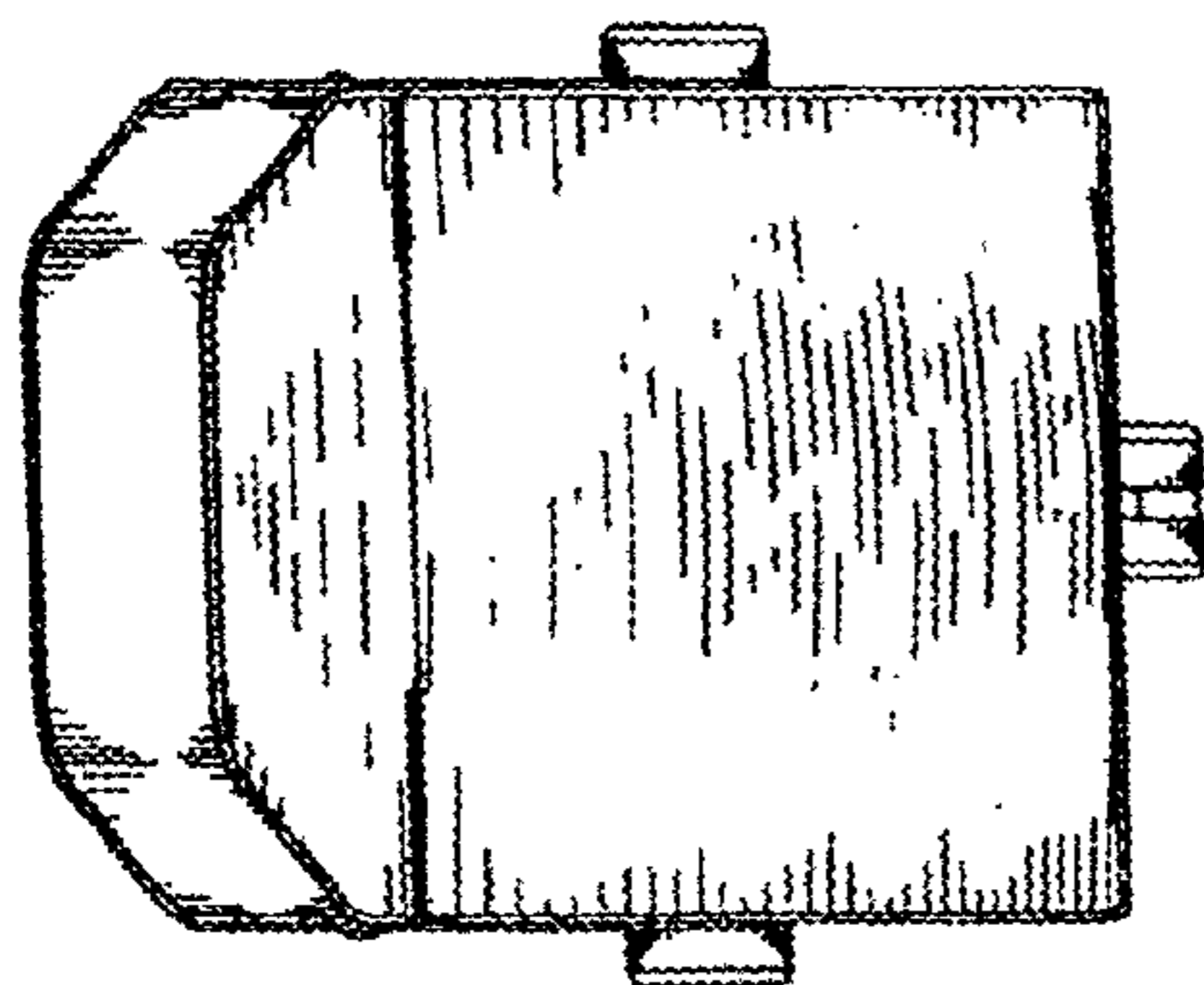


FIG. 13

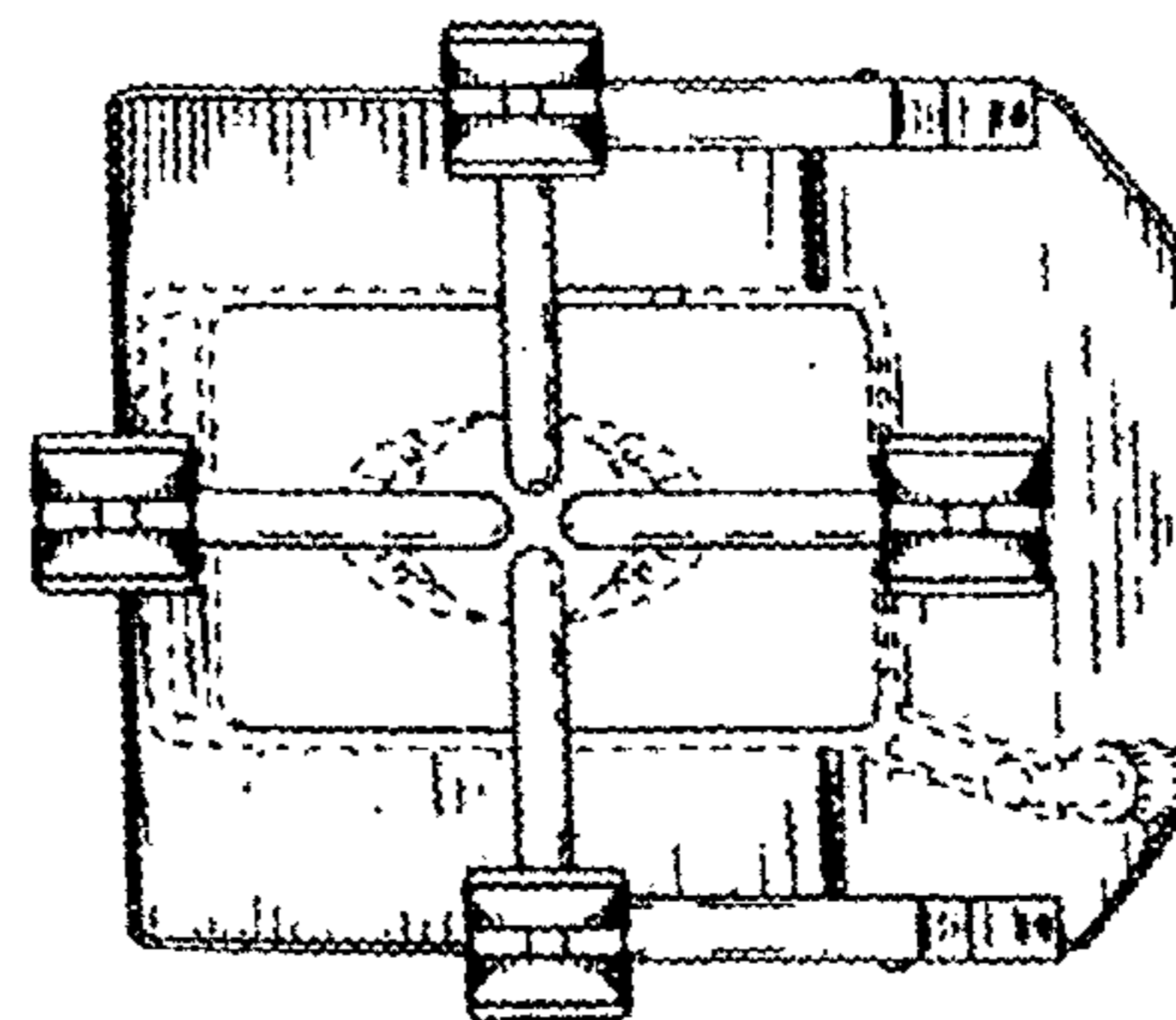


FIG. 14

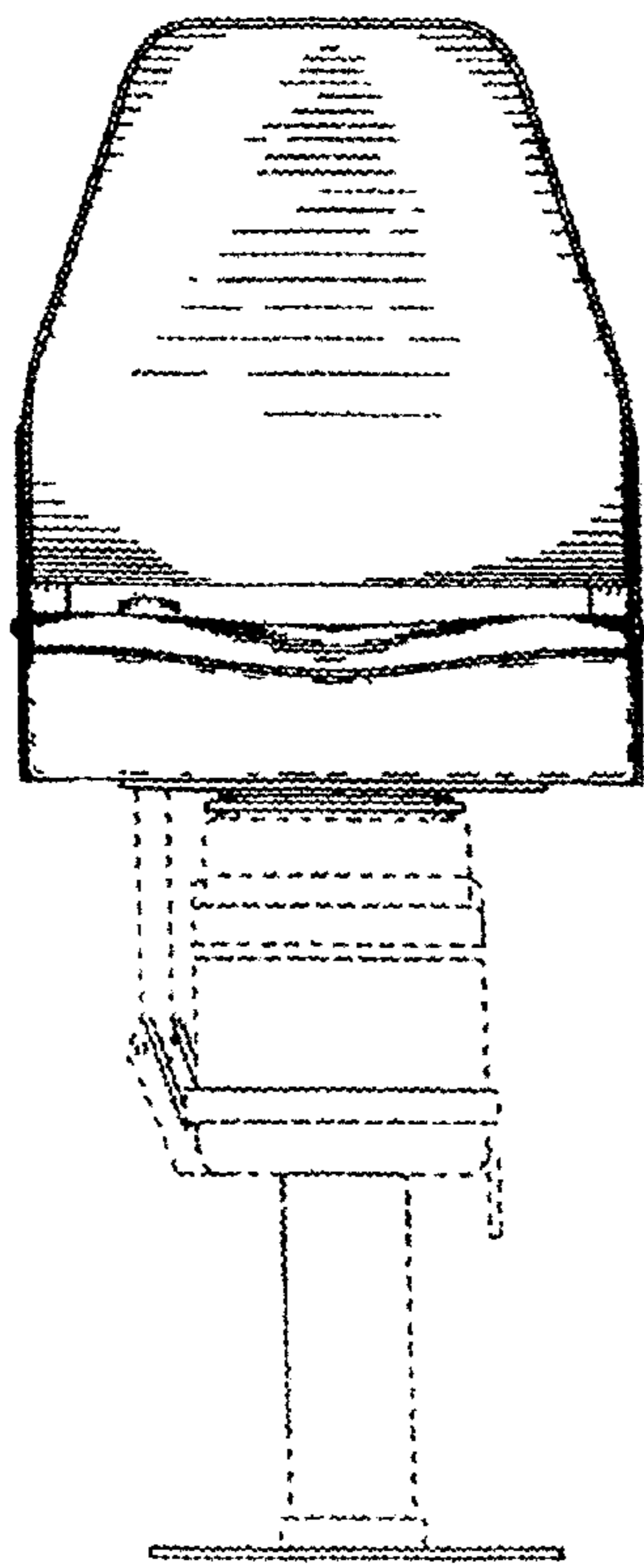


FIG. 15

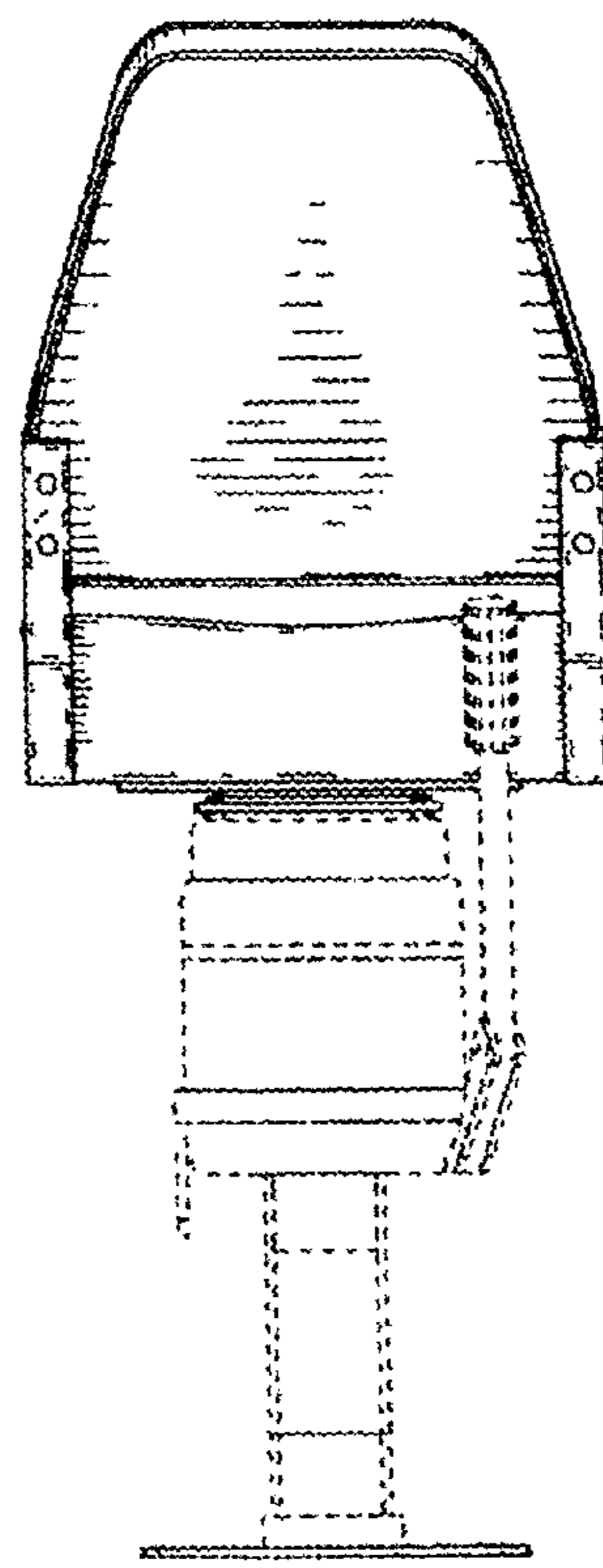


FIG. 16

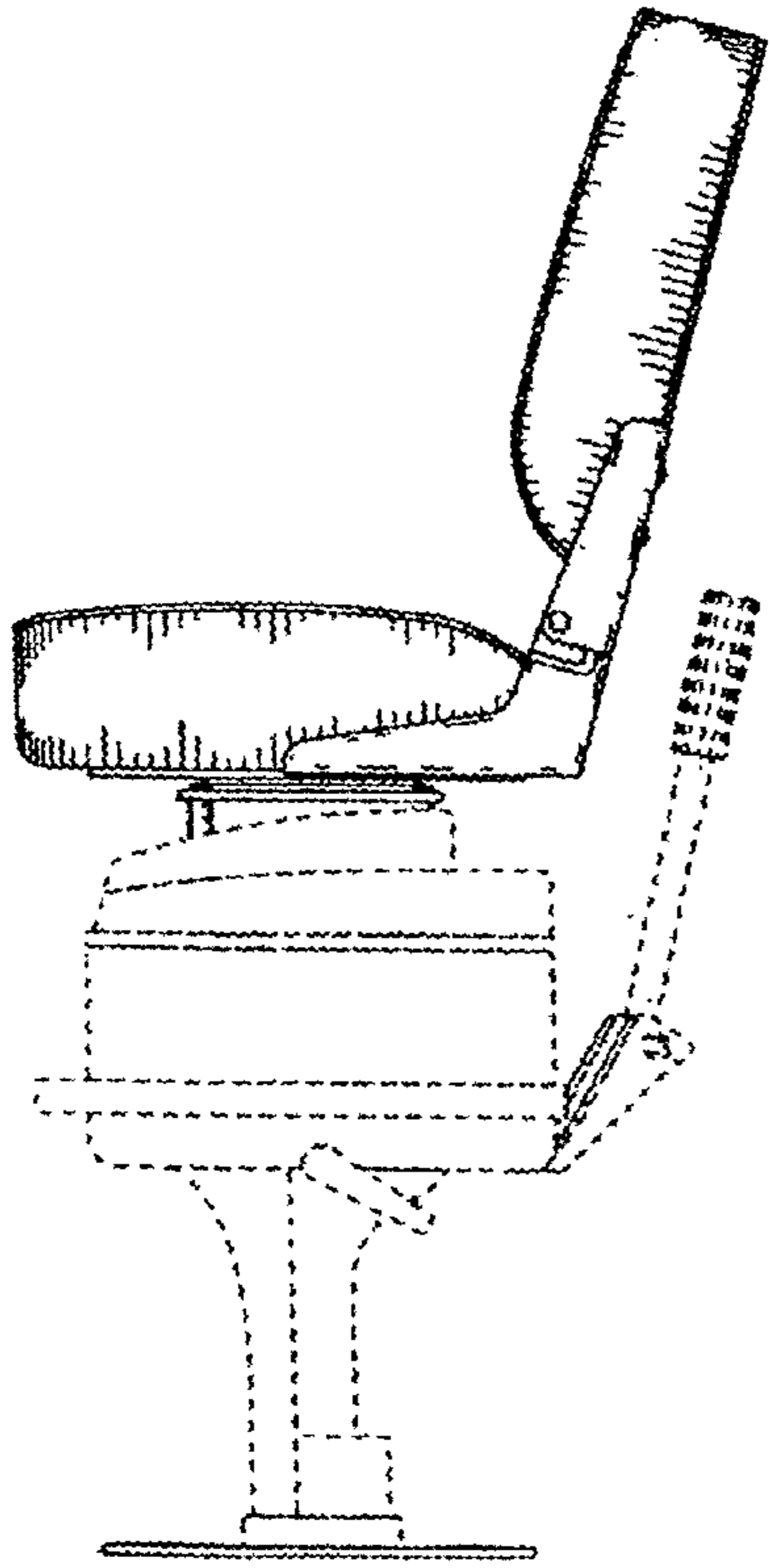


FIG. 17

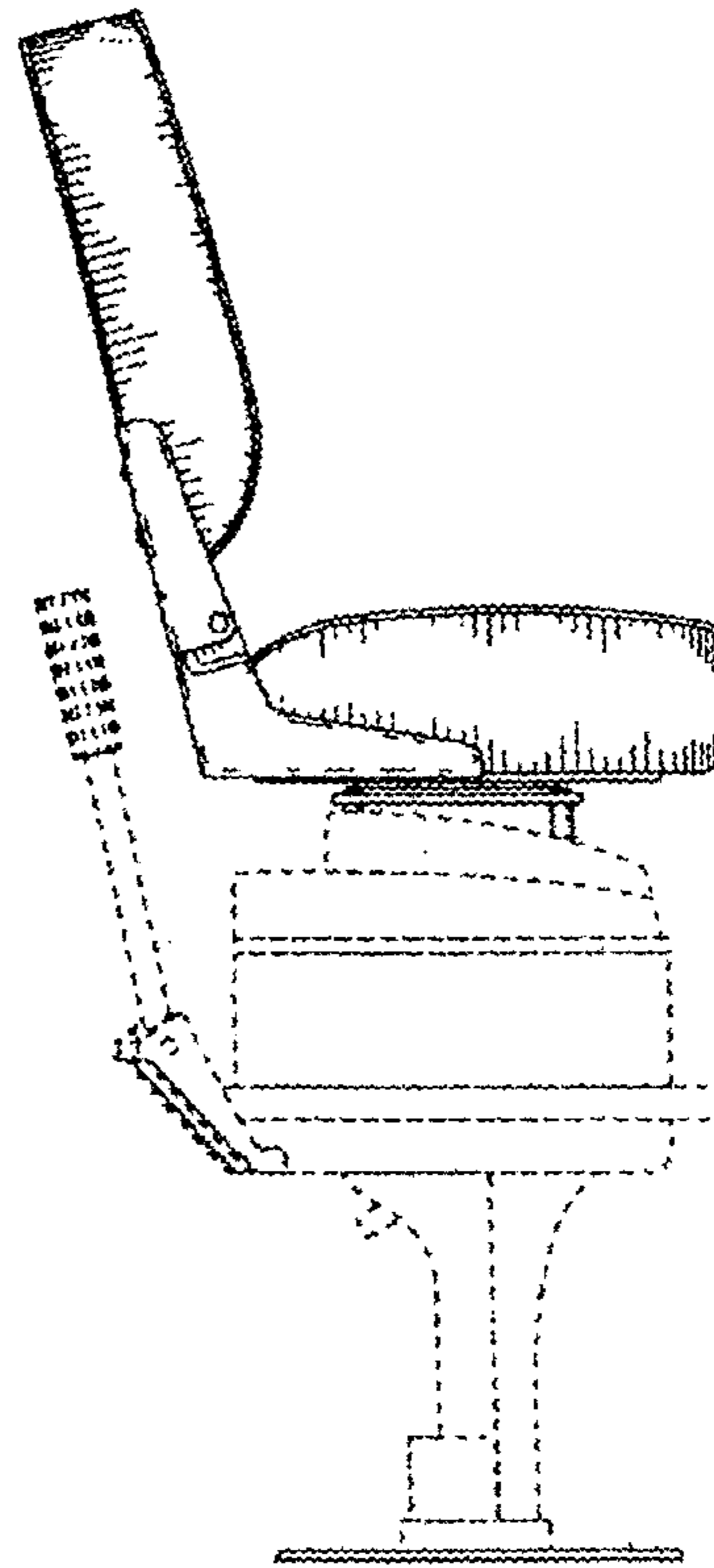


FIG. 18

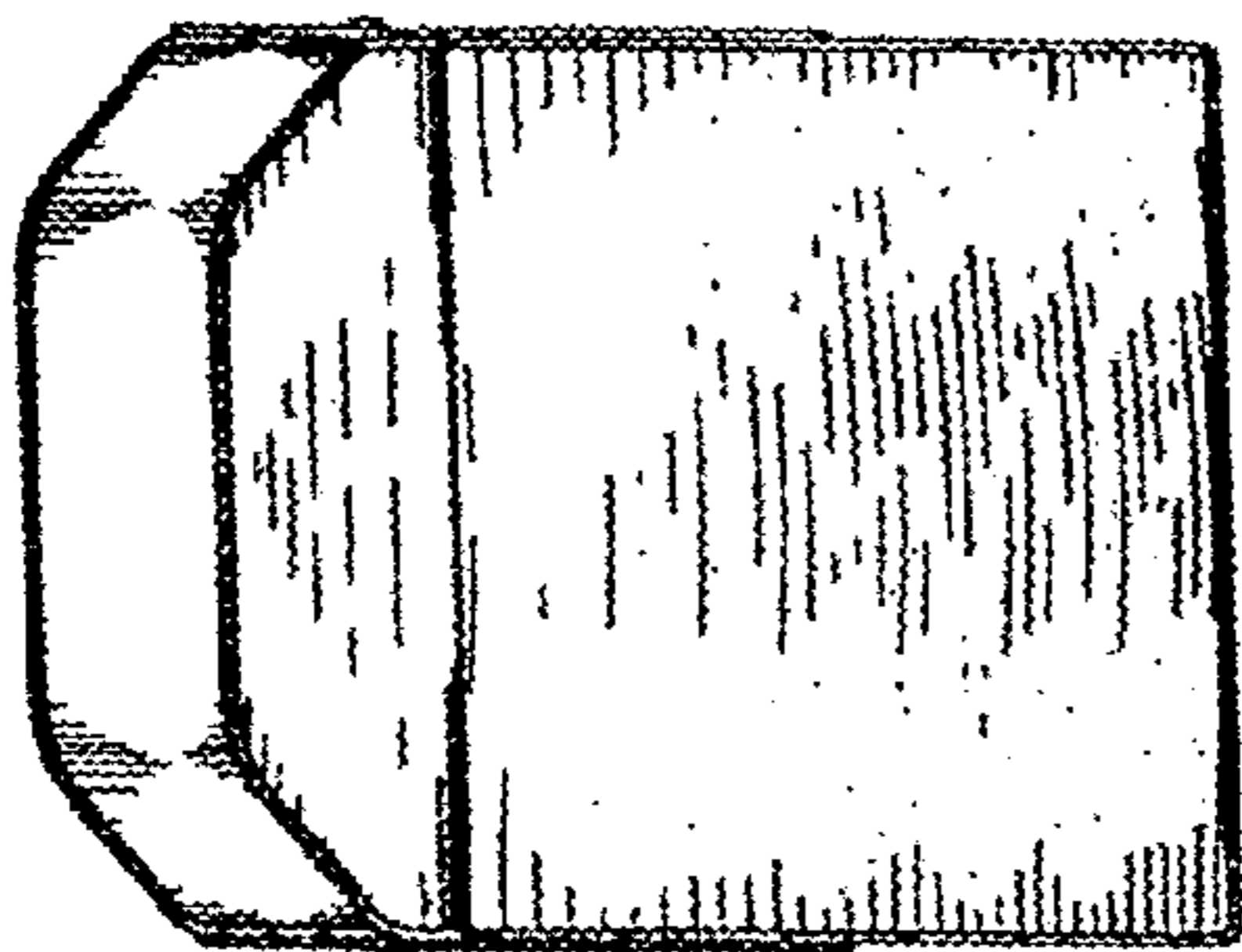


FIG. 19

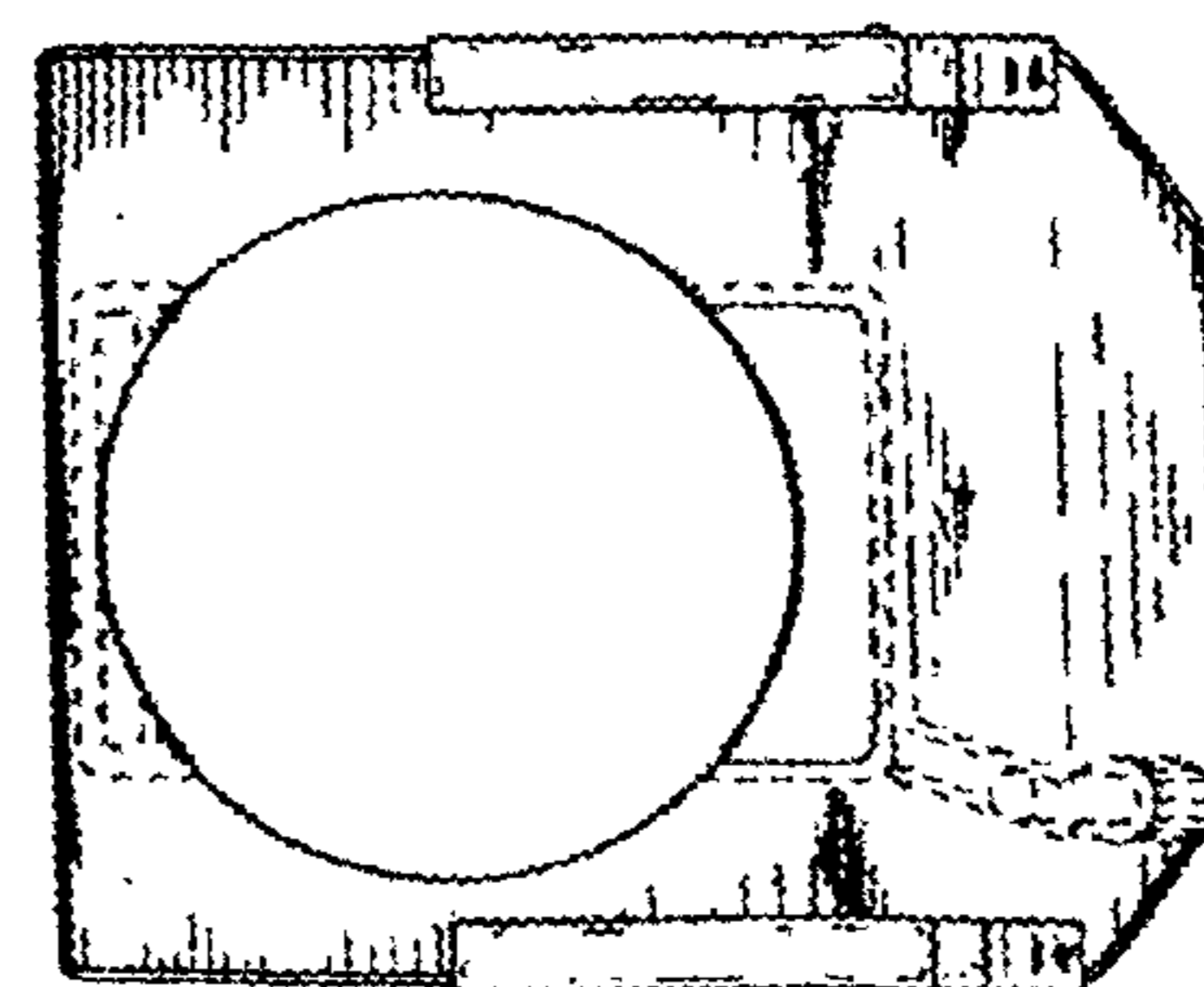


FIG. 20