



US00D754462S

(12) **United States Design Patent**  
**Volz et al.**

(10) **Patent No.:** **US D754,462 S**  
(45) **Date of Patent:** **\*\* \*Apr. 26, 2016**

(54) **BASE WITH WHEELS FOR A TEMPORARY DISPLAY RACK**

4,720,115 A 1/1988 Rehrig  
D294,775 S 3/1988 Rechberg  
4,822,066 A 4/1989 Rehrig  
D321,965 S 11/1991 Delmerico et al.

(71) Applicant: **Innerworkings, Inc.**, Chicago, IL (US)

(Continued)

(72) Inventors: **Jodi Volz**, Loveland, OH (US); **Aaron Rieke**, Cincinnati, OH (US)

**OTHER PUBLICATIONS**

(73) Assignee: **INNERWORKINGS, INC.**, Chicago, IL (US)

Volz, Notice of Allowance, U.S. Appl. No. 29/488,840, Apr. 1, 2015, 7 pgs.

(Continued)

(\*) Notice: This patent is subject to a terminal disclaimer.

*Primary Examiner* — Kelley Donnelly

(\*\*) Term: **15 Years**

(74) *Attorney, Agent, or Firm* — Morgan, Lewis & Bockius LLP

(21) Appl. No.: **29/531,752**

(57) **CLAIM**

(22) Filed: **Jun. 29, 2015**

An ornamental design for a base with wheels for a temporary display rack, substantially as shown.

**Related U.S. Application Data**

**DESCRIPTION**

(63) Continuation-in-part of application No. 29/488,840, filed on Apr. 23, 2014, now Pat. No. Des. 735,510.

(51) **LOC (10) Cl.** ..... **06-06**

(52) **U.S. Cl.**  
USPC ..... **D6/708**

(58) **Field of Classification Search**  
USPC ..... D6/708, 708.17; D35/12, 21, 23;  
280/79.11, 325, 32.6, 79.2, 79.7  
CPC . A47B 2220/06; A47B 13/12; A63B 22/0664  
See application file for complete search history.

This application is related to the following applications: U.S. patent application No. 14/694,872, filed Apr. 23, 2015, U.S. Design patent application No. 29/488,838, filed Apr. 23, 2014, and U.S. Design patent application No. 29/488,839, filed Apr. 23, 2014, each of which is hereby incorporated by reference in its entirety.

FIG. 1 is a perspective view of an embodiment of our new design of a base with wheels for a temporary display rack.

FIG. 2 is a front view thereof.

FIG. 3 is a rear view thereof.

FIG. 4 is a right side view thereof.

FIG. 5 is a left side view thereof.

FIG. 6 is a top view thereof.

FIG. 7 is a bottom view thereof; and,

FIG. 8 is a bottom view of another embodiment of the design of FIG. 1.

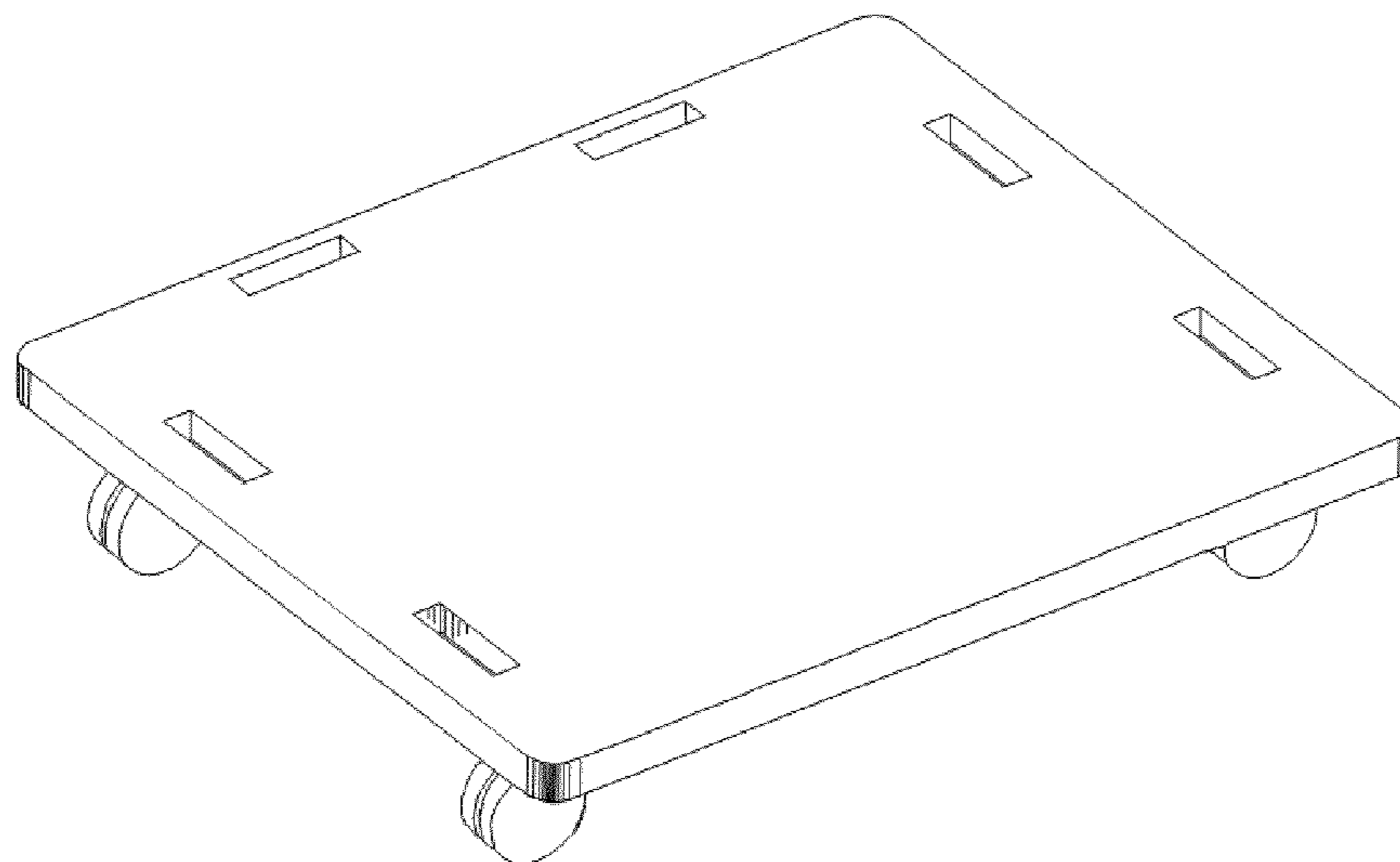
The broken lines in the Figures are for illustrative purposes only and form no part of the claimed design.

(56) **References Cited**

**U.S. PATENT DOCUMENTS**

D127,916 S 6/1941 Whitefield  
2,738,542 A 4/1952 Clark  
2,961,250 A 7/1957 Beach  
3,208,768 A 9/1965 Hulbert  
D253,465 S 11/1979 Lobdell  
D257,823 S 1/1981 Maza et al.  
D263,820 S 4/1982 Levenberg

**1 Claim, 6 Drawing Sheets**



(56)

References Cited

U.S. PATENT DOCUMENTS

D333,899 S 3/1993 Caceres  
 D335,374 S 5/1993 Schulze et al.  
 D340,562 S 10/1993 Kean et al.  
 D349,384 S 8/1994 Crinion  
 D352,586 S 11/1994 Baucom  
 D356,412 S 3/1995 Hensley, Jr.  
 5,451,068 A 9/1995 Shockley  
 5,472,219 A 12/1995 Eckstrum  
 D366,745 S 1/1996 Kern et al.  
 5,577,744 A \* 11/1996 Parks ..... B62B 3/02  
 280/32.6  
 D384,466 S 9/1997 Taylor  
 D399,648 S 10/1998 Hilton  
 D404,236 S 1/1999 Bergwall et al.  
 5,863,053 A 1/1999 Berry  
 D410,577 S 6/1999 Ciphers  
 D427,406 S 6/2000 Hartwall  
 6,257,152 B1 7/2001 Liu  
 6,398,234 B1 \* 6/2002 Brown ..... B25H 5/00  
 280/30  
 D472,358 S 3/2003 Beese, Jr.  
 D501,591 S 2/2005 Lucht  
 D503,838 S 4/2005 Archambault  
 6,886,787 B2 5/2005 Stahl  
 6,979,005 B1 12/2005 McLerran  
 D523,201 S 6/2006 Widmer  
 D532,238 S 11/2006 Thrush  
 D547,517 S 7/2007 Hernandez  
 D549,920 S 8/2007 Dukes  
 D573,324 S \* 7/2008 Hernandez ..... D34/23  
 7,481,438 B2 \* 1/2009 Hernandez ..... B25H 5/00  
 280/32.5  
 D594,622 S 6/2009 Kissun  
 D610,323 S 2/2010 Saladino

D611,219 S 3/2010 Banasik et al.  
 D614,899 S 5/2010 Lai  
 D619,844 S 7/2010 Johnson  
 D620,669 S 7/2010 Hernandez  
 D626,237 S 10/2010 Nordgren et al.  
 D650,545 S 12/2011 Malone et al.  
 D653,893 S 2/2012 Huss et al.  
 D654,748 S 2/2012 Lu  
 D679,466 S 4/2013 McCullough  
 8,544,859 B2 10/2013 Itmec et al.  
 D693,159 S 11/2013 Lidwell et al.  
 8,602,443 B2 12/2013 Moore et al.  
 D703,975 S 5/2014 Huss et al.  
 D707,914 S \* 6/2014 Ward ..... D34/23  
 D732,817 S \* 6/2015 Elstow ..... D3/10  
 D733,386 S 6/2015 Della Polla  
 D734,413 S \* 7/2015 Bettin ..... D21/694  
 D735,510 S \* 8/2015 Volz ..... D6/708  
 D735,833 S \* 8/2015 Winstead ..... D22/113  
 D739,886 S 9/2015 Vetter  
 D740,591 S 10/2015 Huss et al.  
 2003/0205877 A1 11/2003 Verna et al.  
 2005/0151336 A1 7/2005 Neuman  
 2005/0212242 A1 9/2005 Cheng  
 2007/0296167 A1 12/2007 Beswick et al.  
 2011/0156367 A1 6/2011 King  
 2014/0008884 A1 1/2014 Itmec et al.

OTHER PUBLICATIONS

Volz, Office Action, U.S. Appl. No. 29/488,840, Sep. 12, 2014, 5 pgs.  
 Jodi Volz, Office Action, U.S. Appl. No. 29/488,838, Aug. 3, 2015, 5 pgs.  
 Jodi Volz, Office Action, U.S. Appl. No. 29/488,839, Nov. 10, 2015, 5 pgs.

\* cited by examiner

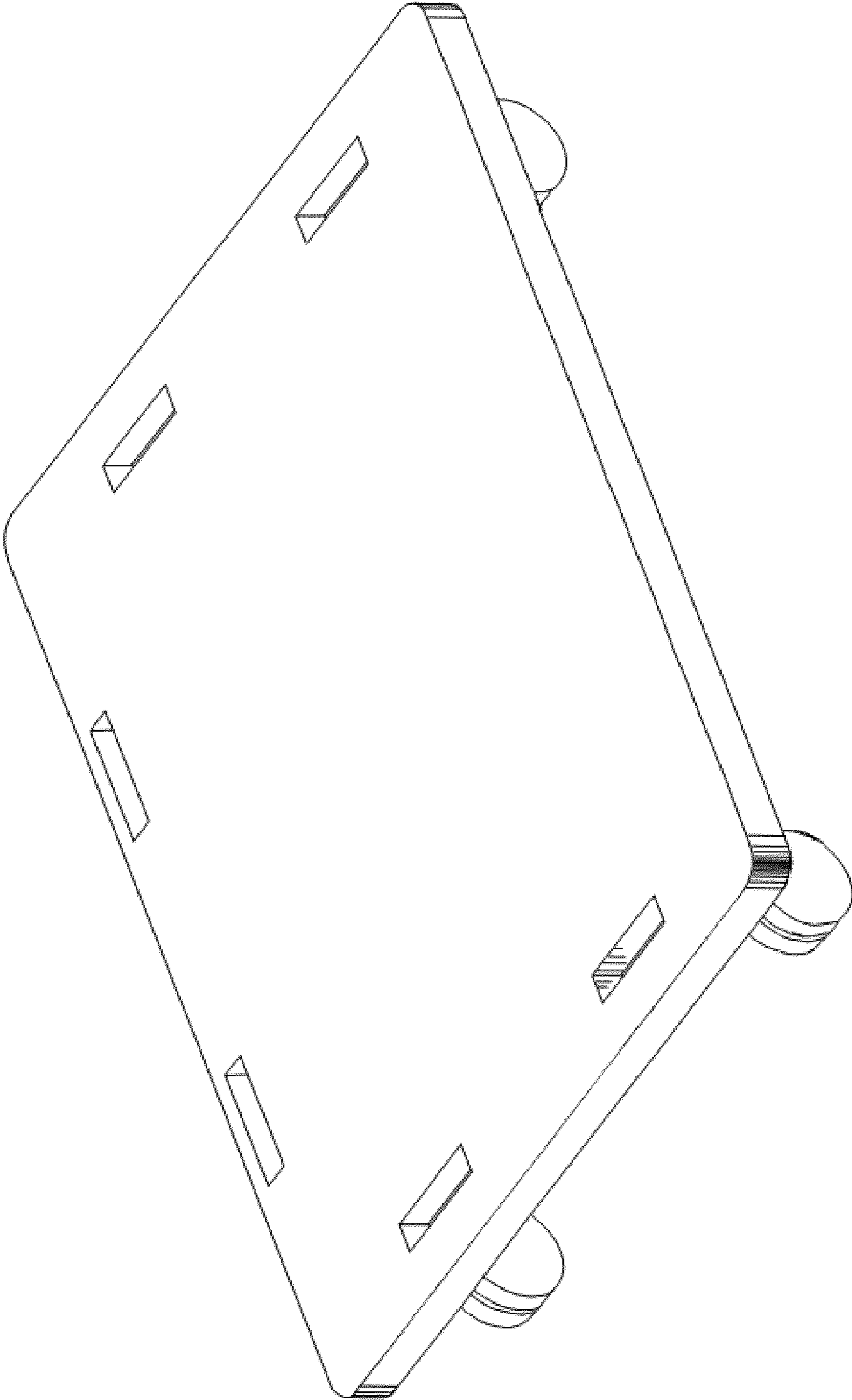


FIG. 1

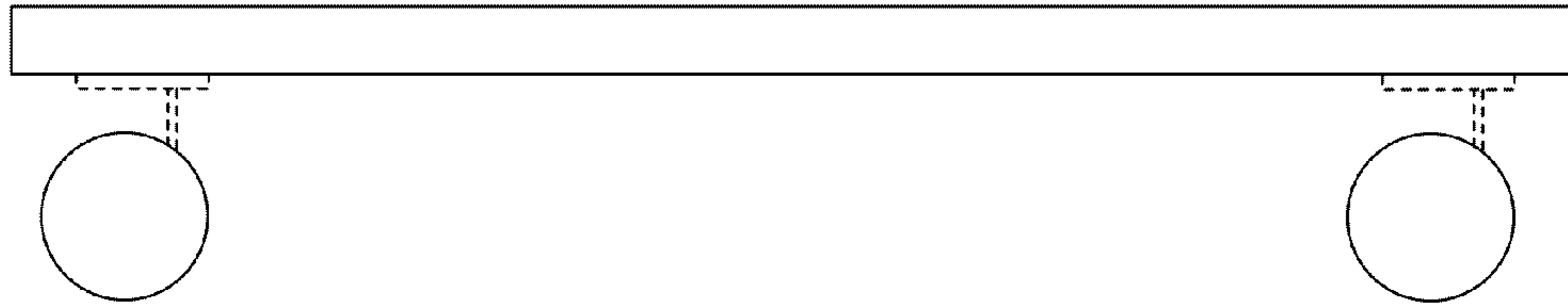


FIG 2

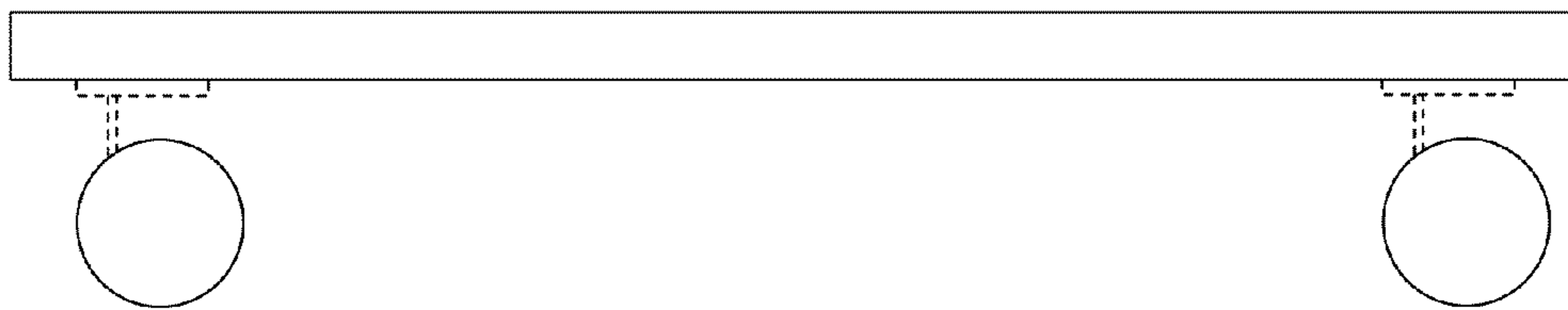


FIG 3

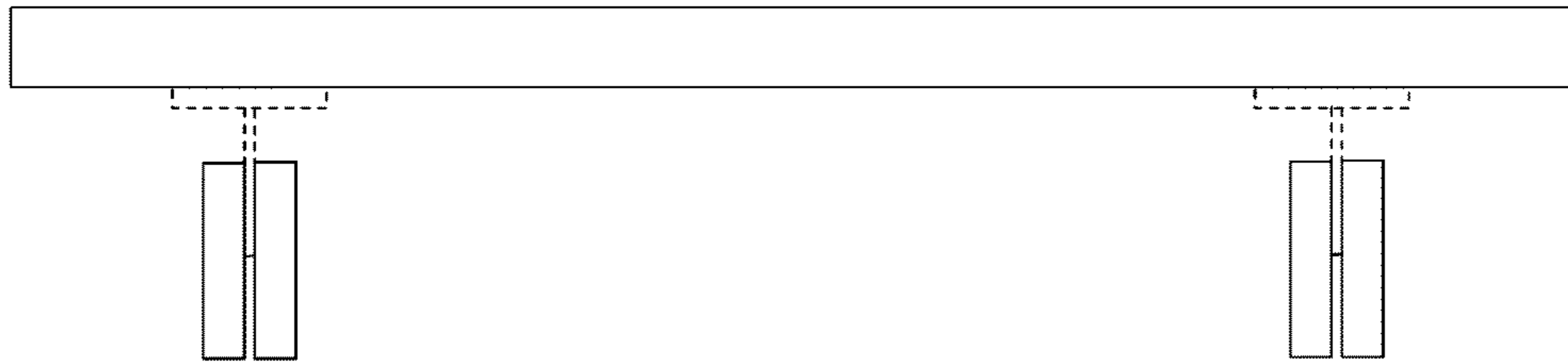


FIG 4

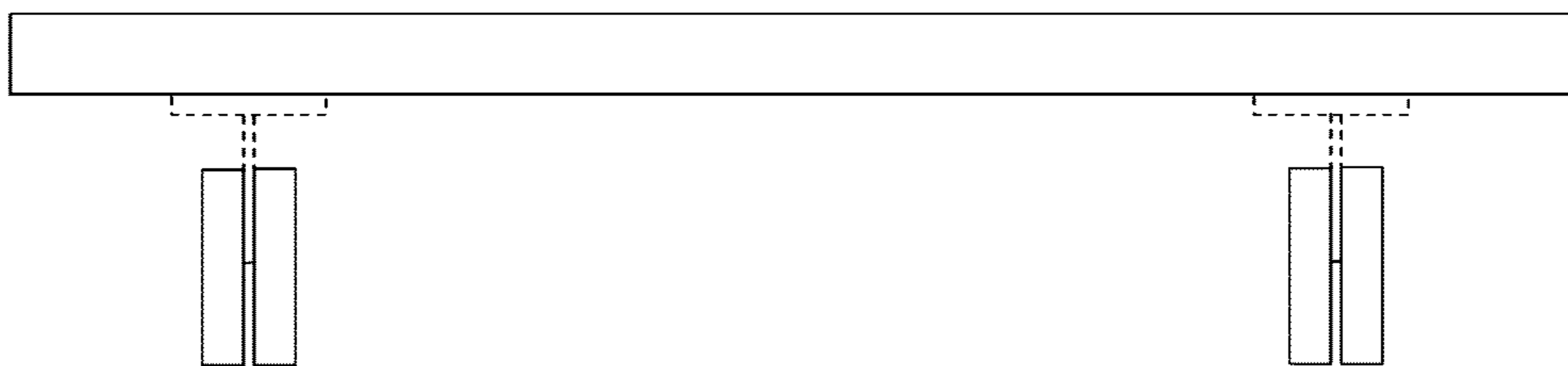


FIG 5

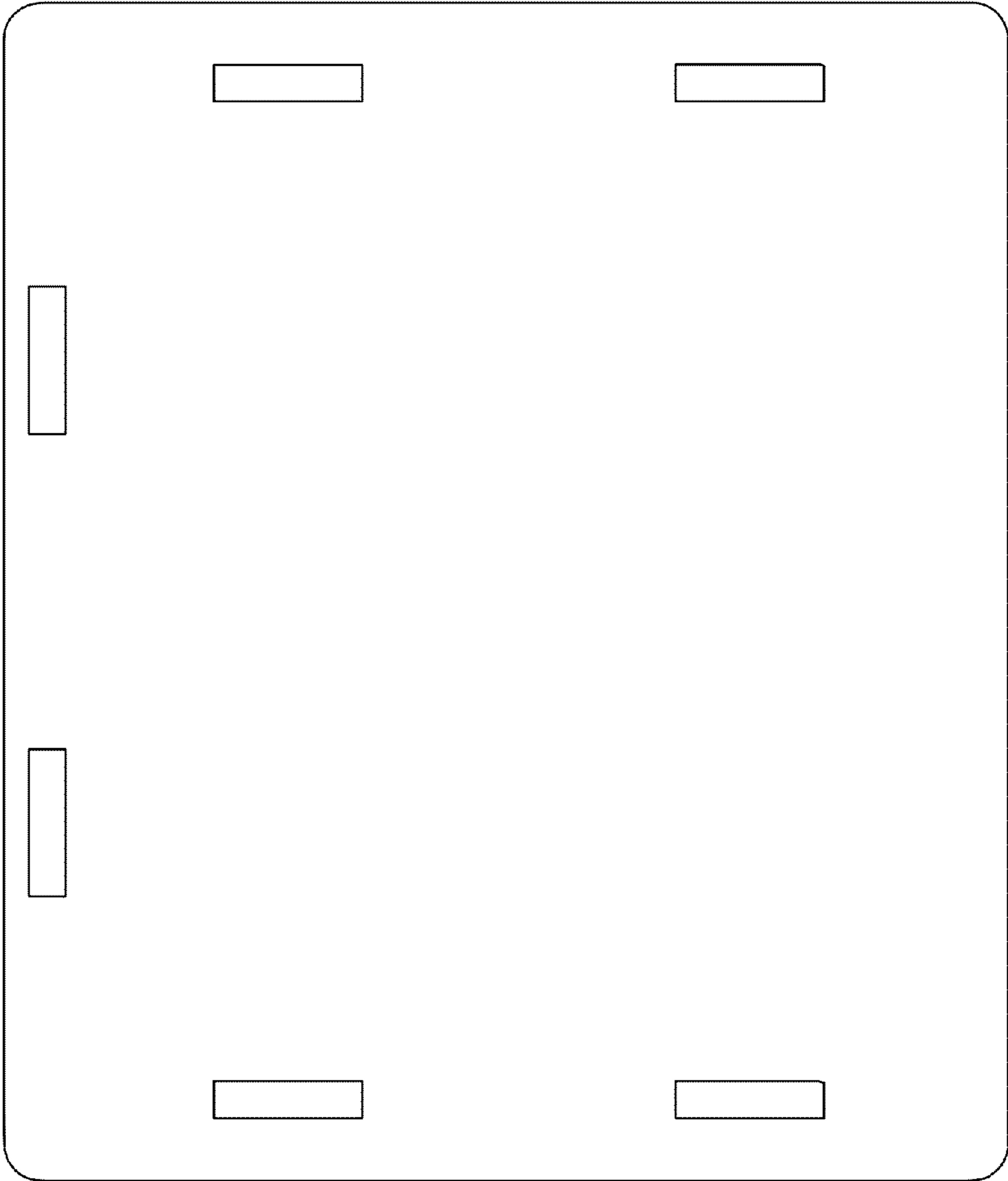


FIG 6

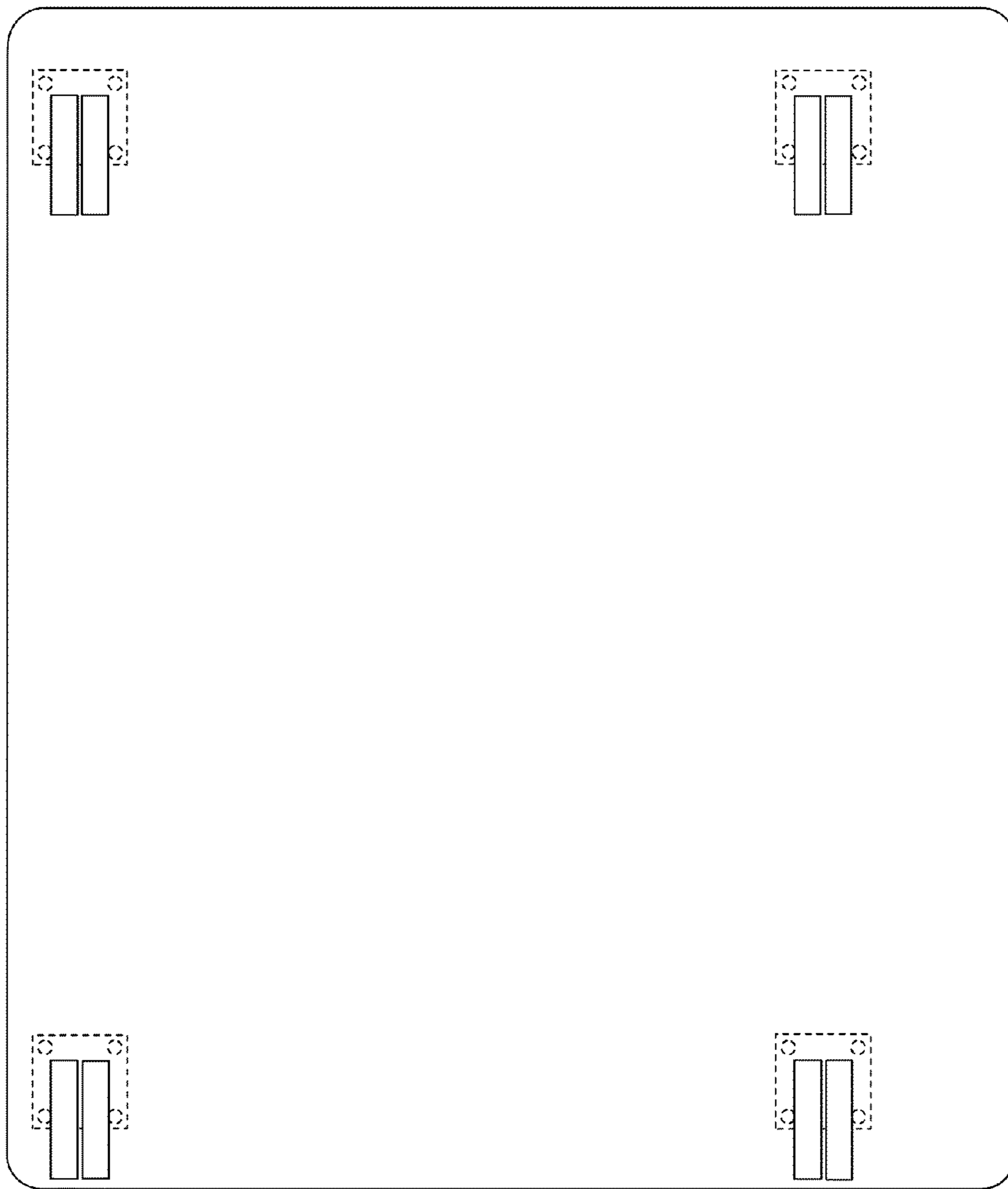


FIG 7

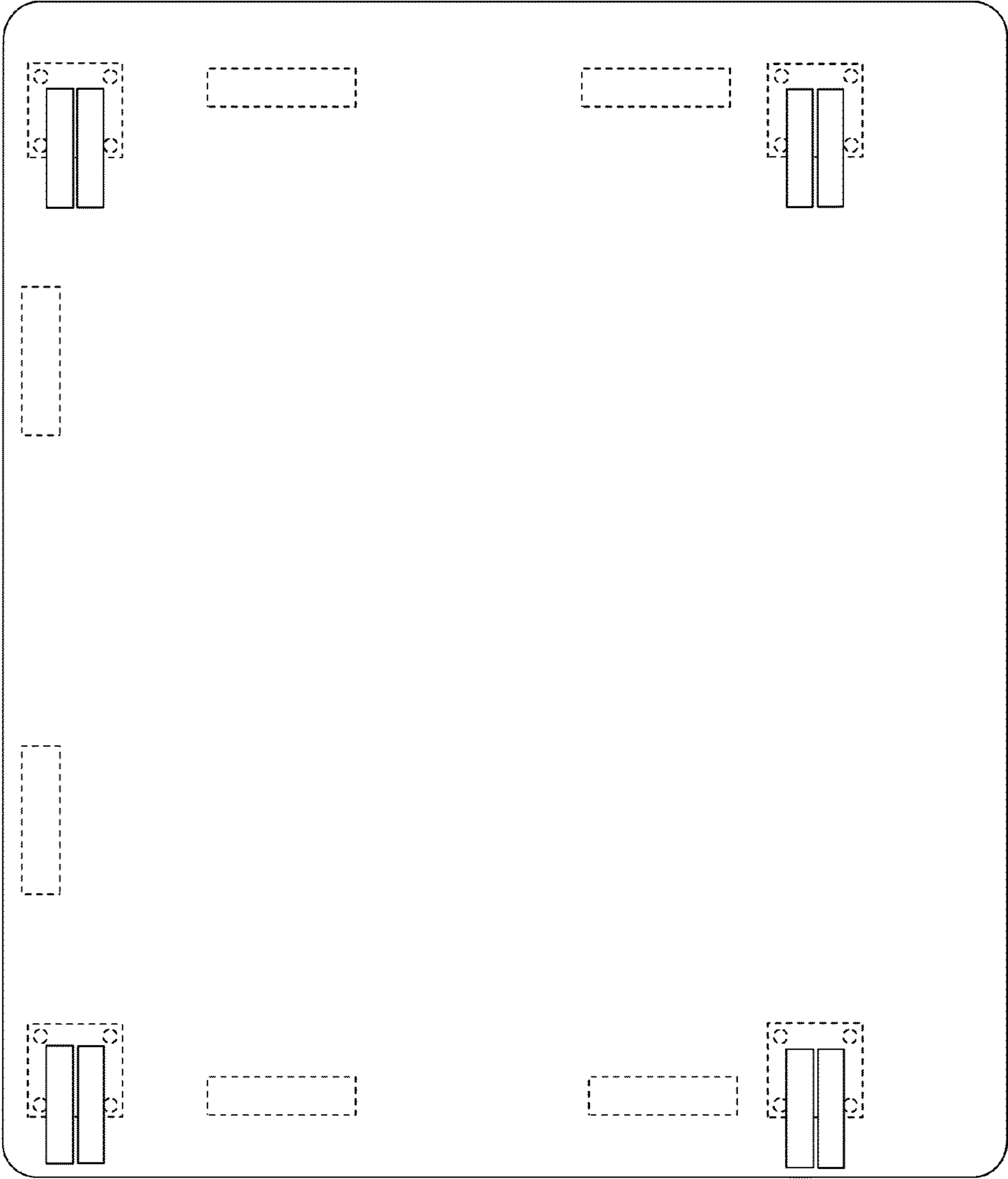


FIG 8