



US00D754459S

(12) **United States Design Patent**
Wilton

(10) **Patent No.:** **US D754,459 S**
(45) **Date of Patent:** **** Apr. 26, 2016**

- (54) **GUITAR STAND**
- (71) Applicant: **Michael F. Wilton**, Redmond, WA (US)
- (72) Inventor: **Michael F. Wilton**, Redmond, WA (US)
- (**) Term: **14 Years**
- (21) Appl. No.: **29/514,705**
- (22) Filed: **Jan. 15, 2015**
- (51) **LOC (10) Cl.** **06-06**
- (52) **U.S. Cl.**
USPC **D6/682.3**
- (58) **Field of Classification Search**
USPC D6/395–396, 449–450, 451–453,
D6/465–469, 475, 682–682.4; 211/1, 2,
211/13.1, 44–45, 85.2, 85.5, 85.6, 85.14,
211/85.31, 86.01, 189
CPC A47B 23/00; A47B 23/042; A47B 23/043
See application file for complete search history.

- D683,973 S * 6/2013 Pitts Brown D6/310
- D704,968 S * 5/2014 Steger D6/682.4
- 9,010,700 B1 * 4/2015 Cooper F16M 11/38
248/166
- 2002/0116298 A1 8/2002 Kamon et al.
- 2003/0221538 A1 * 12/2003 Stevens F16M 11/00
84/327
- 2005/0121567 A1 * 6/2005 Meuniot F16M 13/00
248/150
- 2009/0319376 A1 12/2009 Mills

* cited by examiner

Primary Examiner — Kelley Donnelly

(74) *Attorney, Agent, or Firm* — Dean A Craine

(57) **CLAIM**
The ornamental design for a guitar stand.

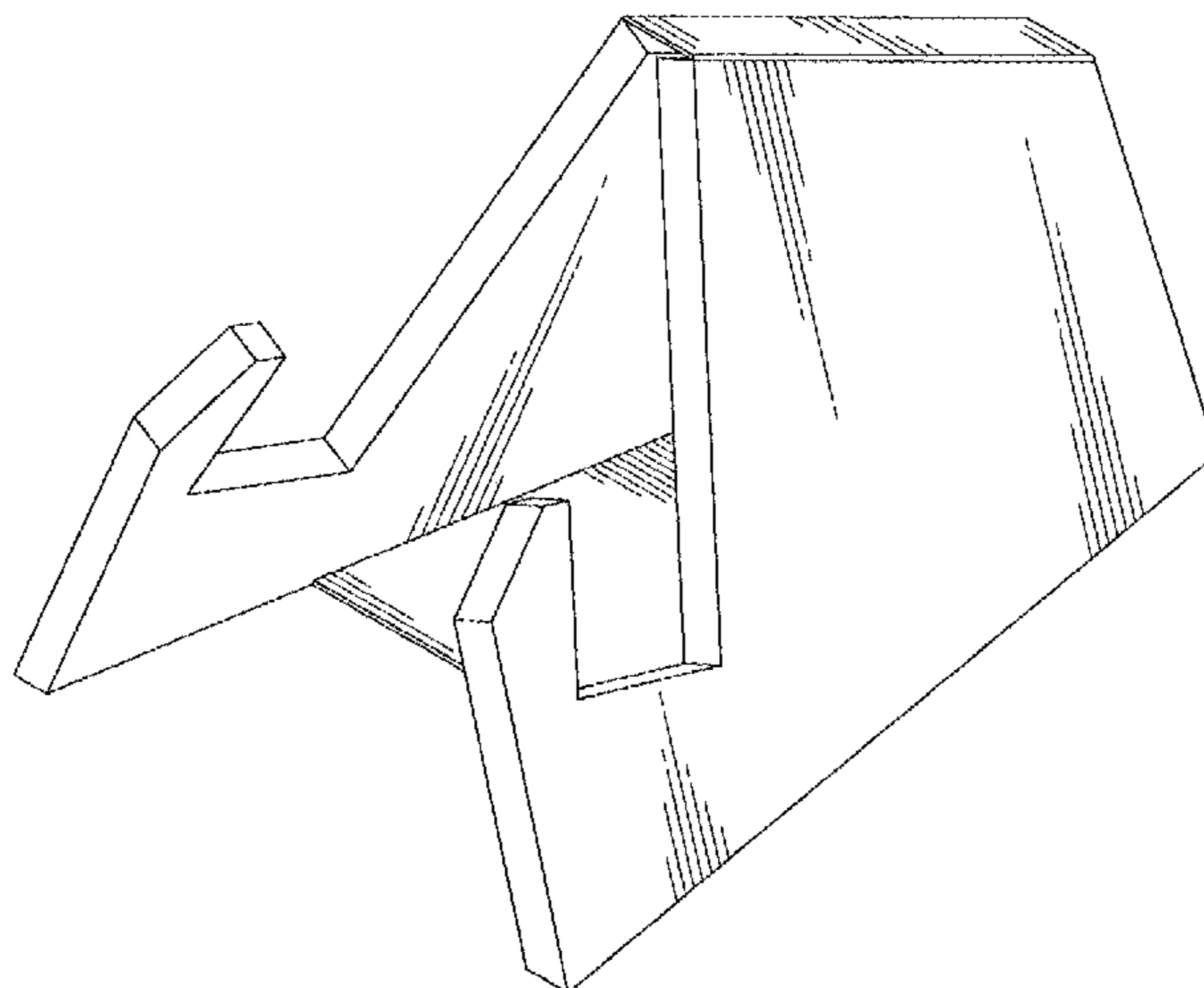
DESCRIPTION

FIG. 1 is a front, top perspective view of a guitar stand in an unfolded, extending configuration.
 FIG. 2 is a right side elevational view of the guitar stand showing in FIG. 1.
 FIG. 3 is a left side elevational view of the guitar stand shown in FIG. 1.
 FIG. 4 is a front elevational view of the guitar stand shown in FIG. 1.
 FIG. 5 is a rear elevational view of the guitar stand shown in FIG. 1.
 FIG. 6 is a top plan view of the top plan guitar stand shown in FIG. 1.
 FIG. 7 is a bottom plan view of the top plan guitar stand shown in FIG. 1.
 FIG. 8 is a front, top perspective view of a guitar stand in a folded, collapsed configuration.
 FIG. 9 is a top plan view of the guitar stand shown in FIG. 8; and,
 FIG. 10 is a rear elevational view of the guitar stand shown in FIG. 8.

(56) **References Cited**
U.S. PATENT DOCUMENTS

3,346,732	A	10/1967	Crusius	
D249,953	S *	10/1978	Drake	D19/91
4,236,191	A	11/1980	Martinez	
D265,873	S *	8/1982	Smith	D19/91
D334,479	S *	4/1993	Glick	D6/310
D394,160	S *	5/1998	Yarbrough	D6/300
D436,465	S *	1/2001	Berkman	D17/99
6,414,693	B1	7/2002	Berger et al.	
D482,904	S *	12/2003	Slaymaker	D6/310
D511,427	S *	11/2005	Meuniot	D6/682
D538,554	S *	3/2007	Tai	D6/682
D557,329	S *	12/2007	Lippert	D17/20
D596,875	S *	7/2009	Small	D6/682
D609,940	S *	2/2010	Samu	D6/682
7,777,110	B2 *	8/2010	Wallis	G10G 5/00 248/443
D627,990	S *	11/2010	Shea	D6/682
D647,326	S *	10/2011	Kellett	D6/682.4

1 Claim, 4 Drawing Sheets



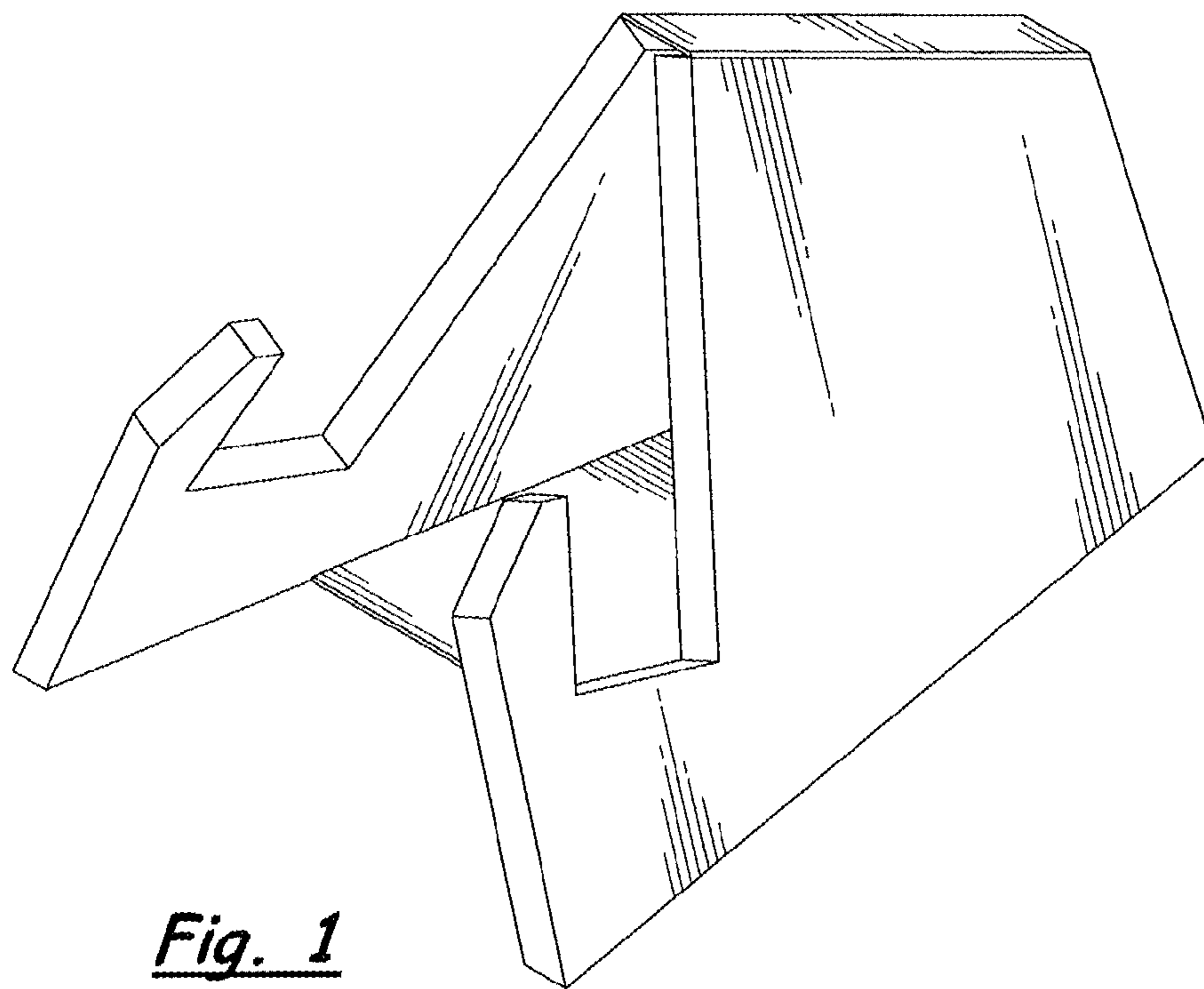


Fig. 1

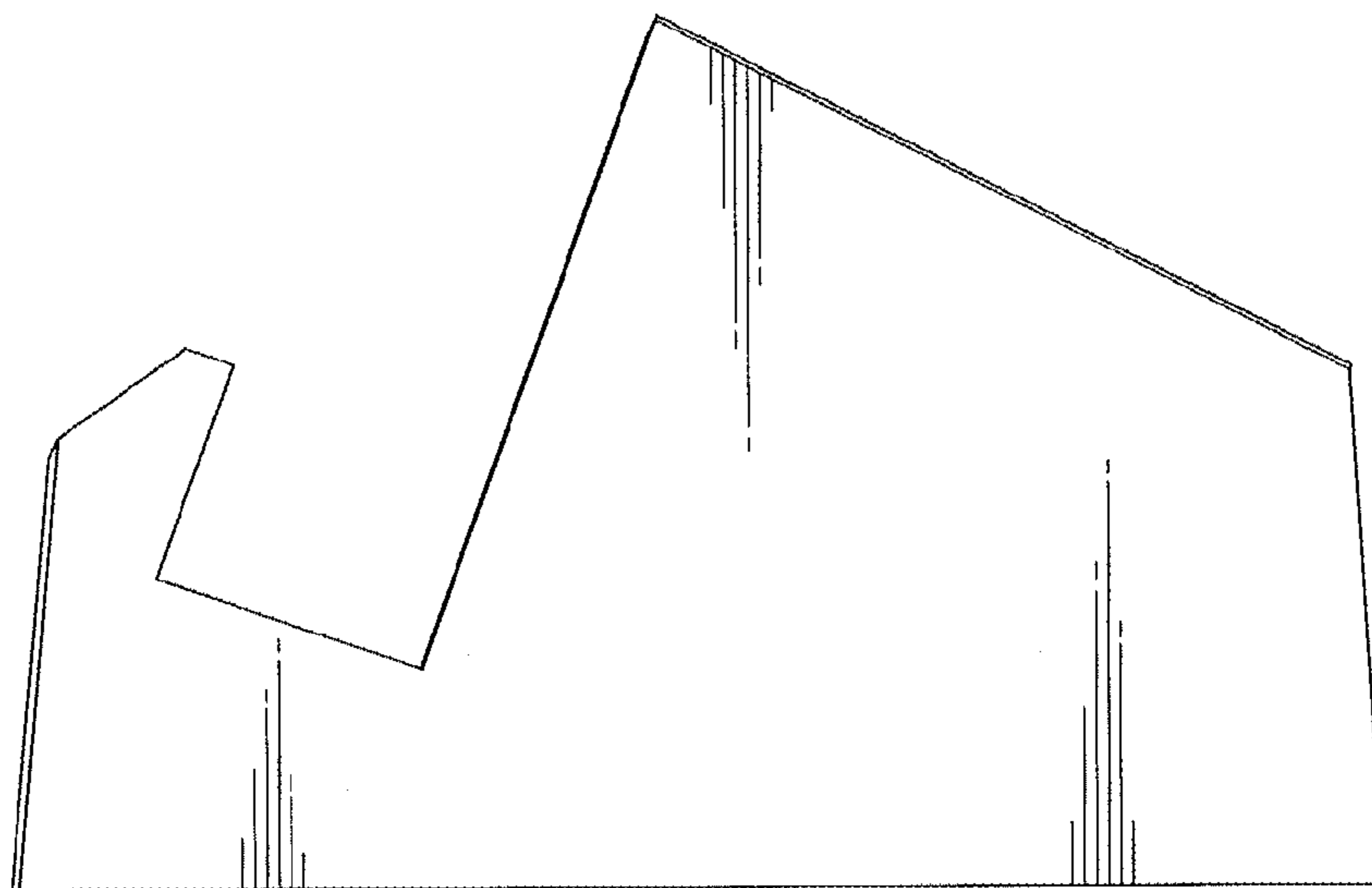


Fig. 2

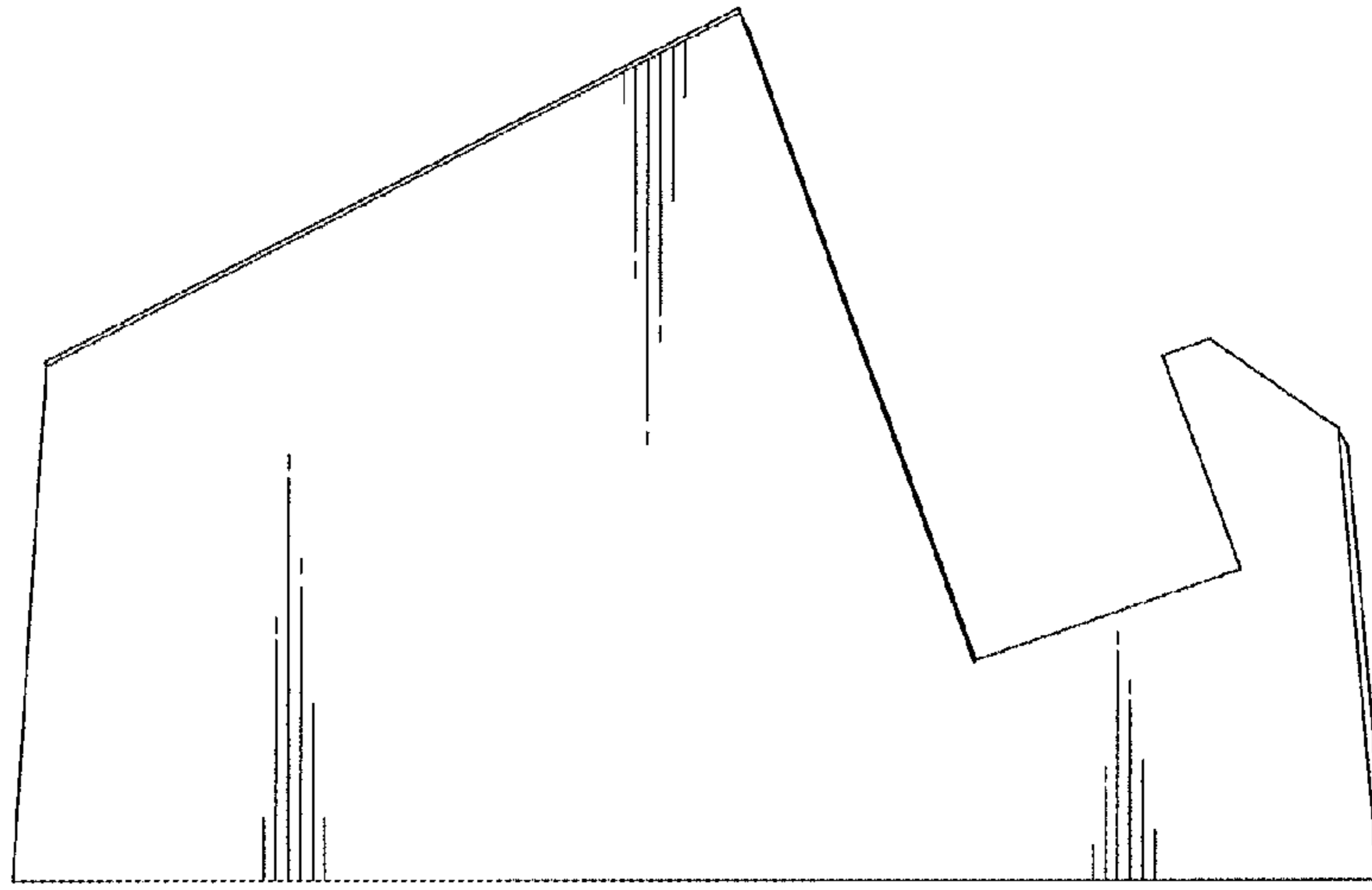


Fig. 3

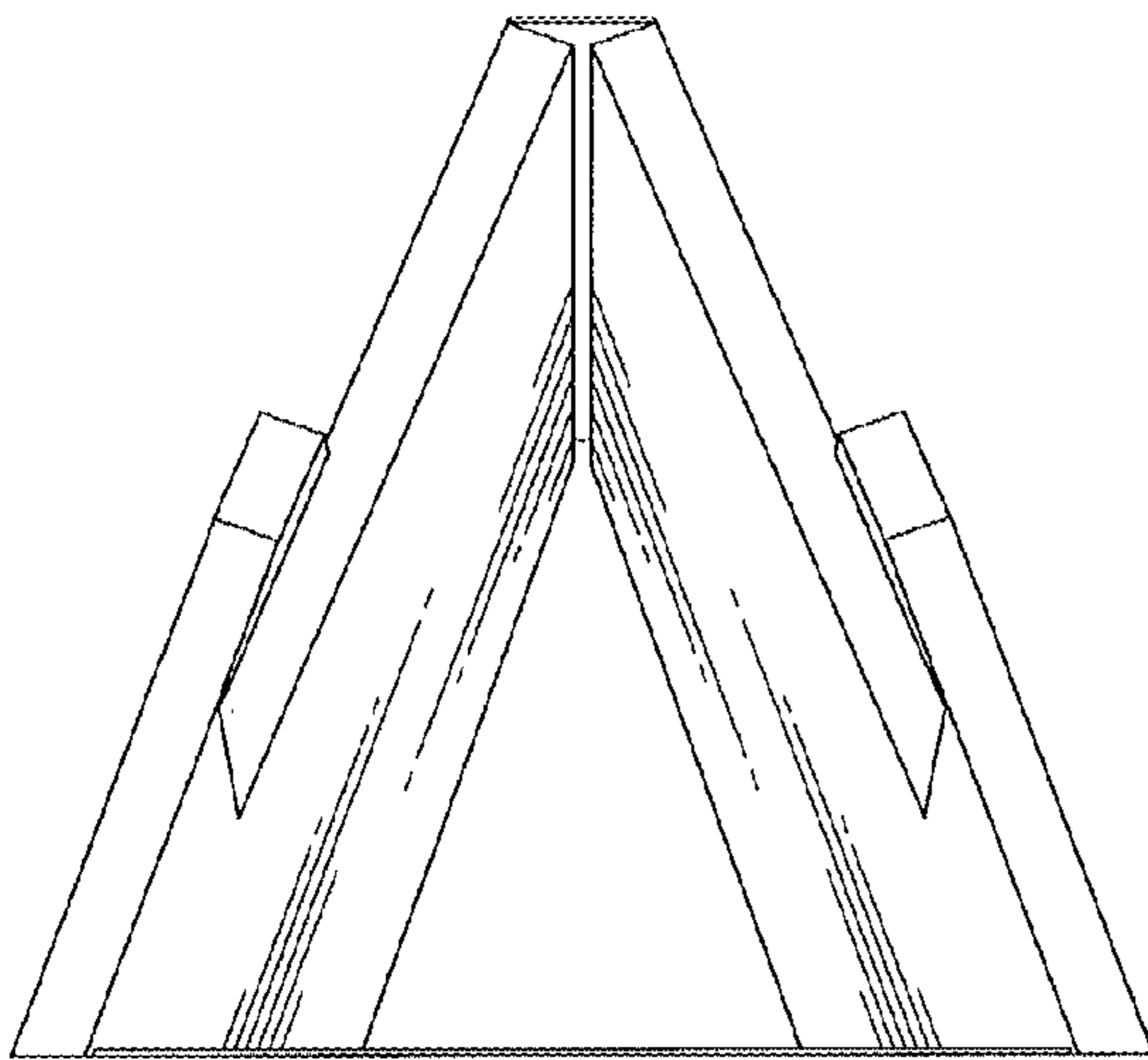


Fig. 4

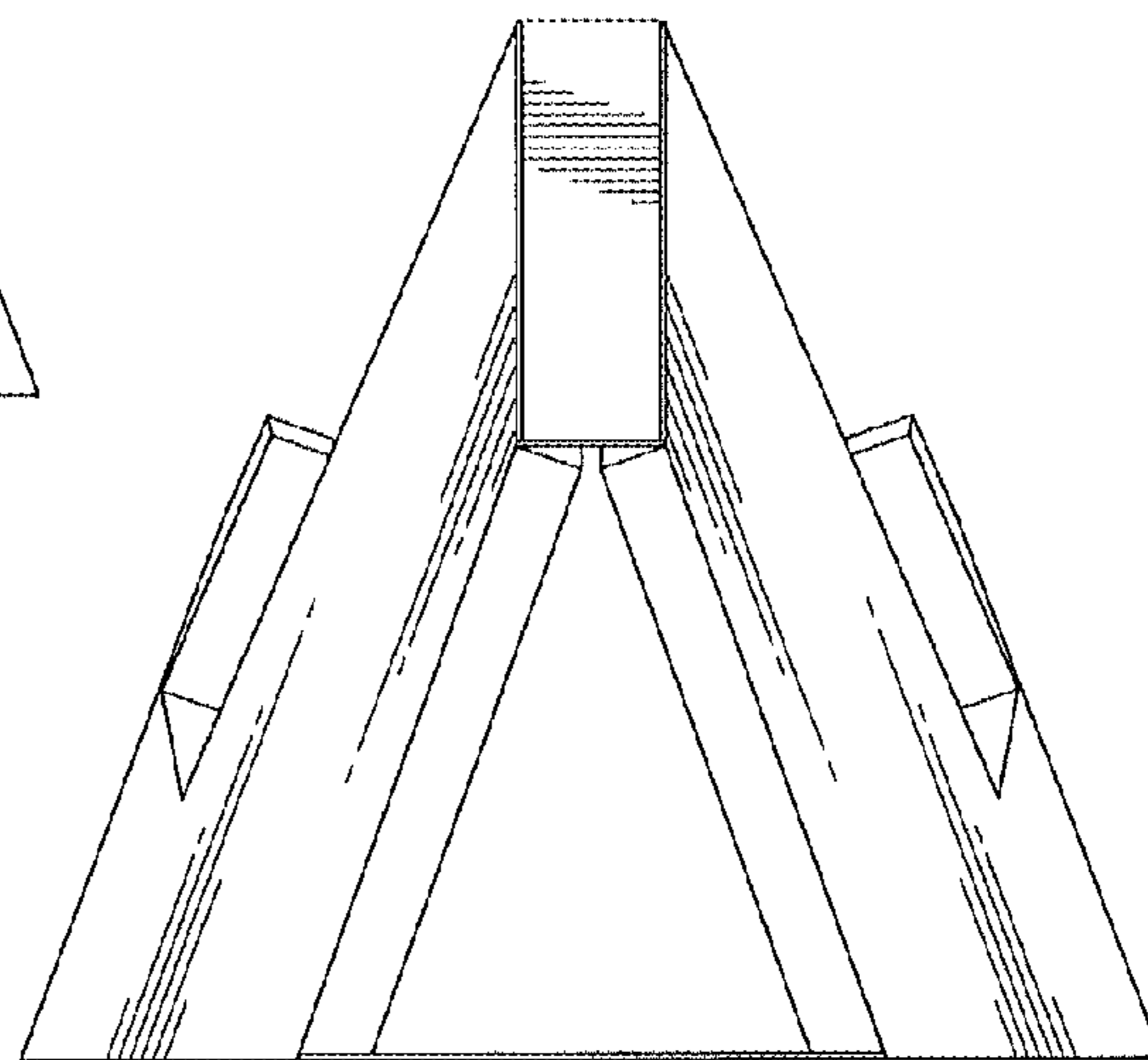


Fig. 5

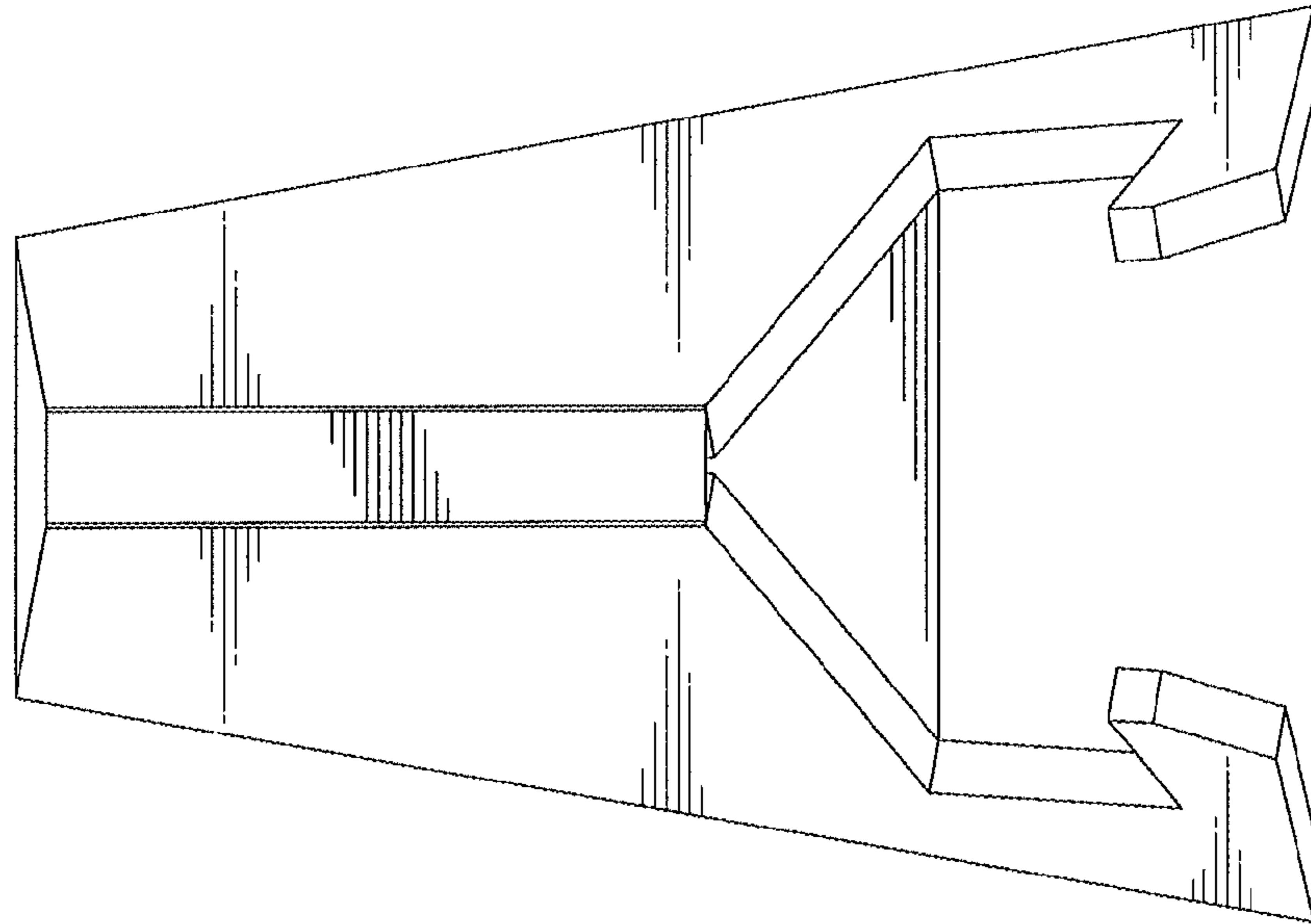


Fig. 6

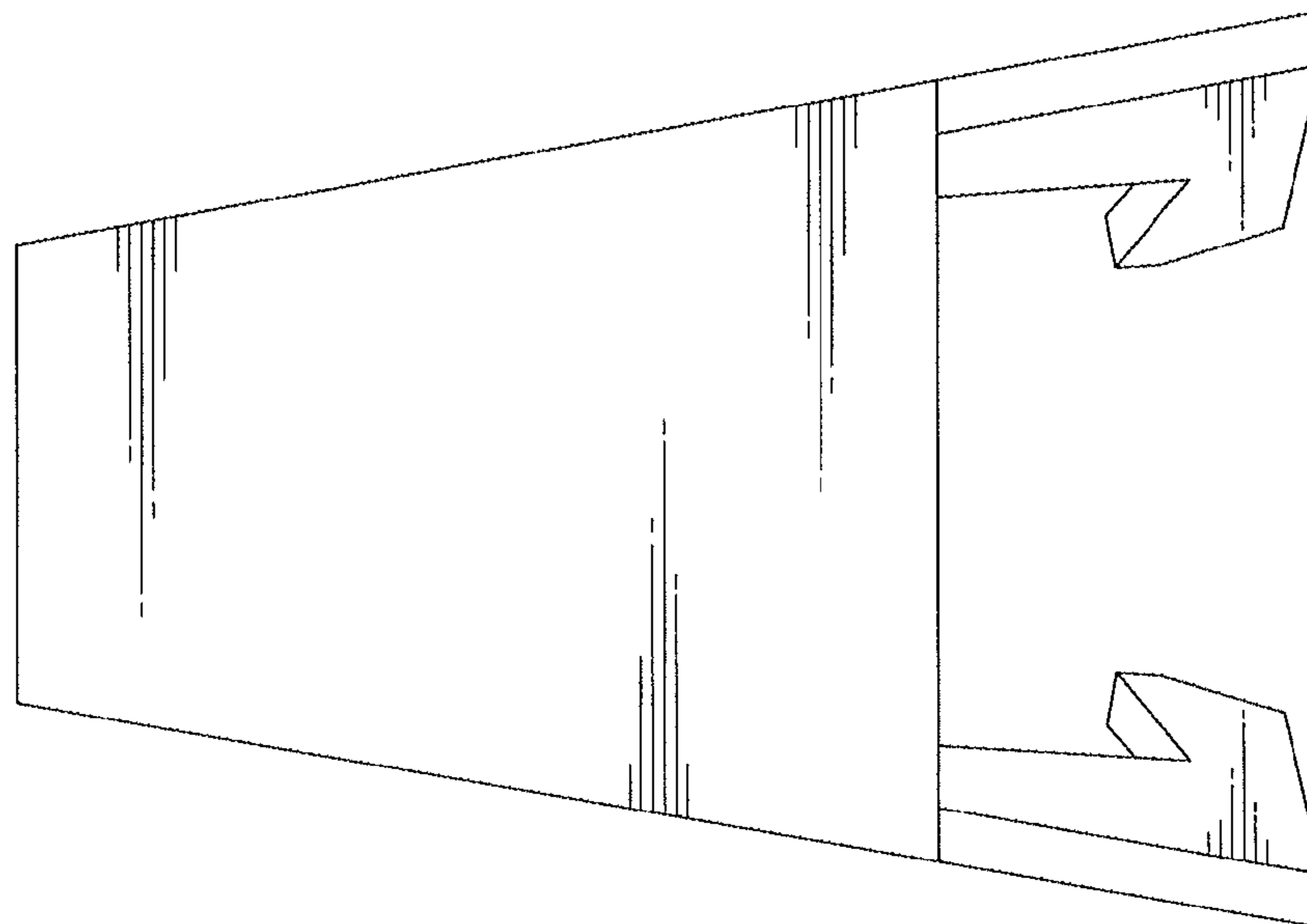


Fig. 7

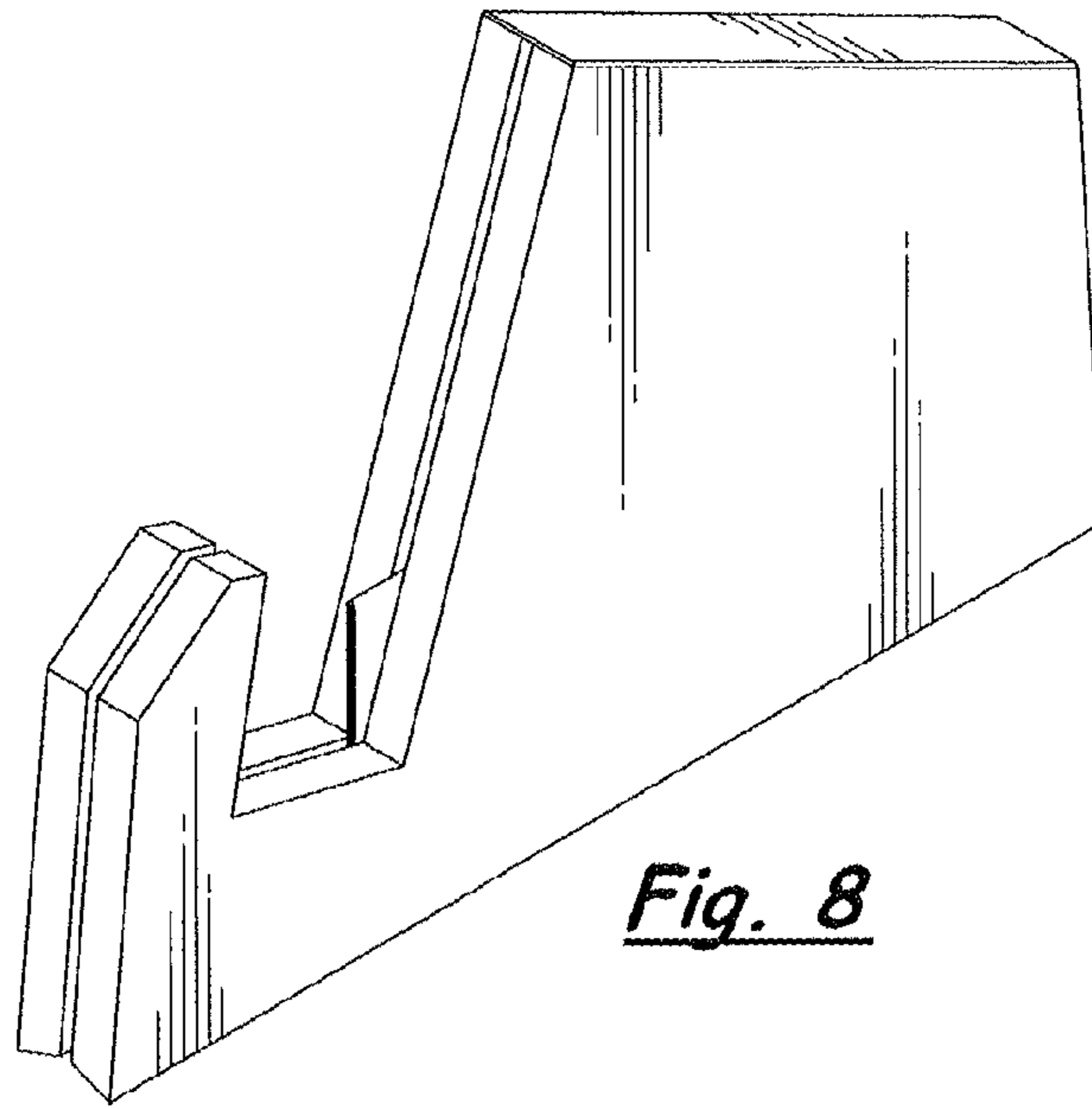


Fig. 8

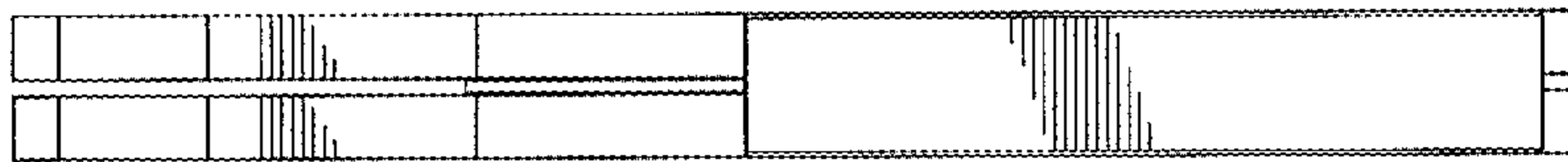


Fig. 9

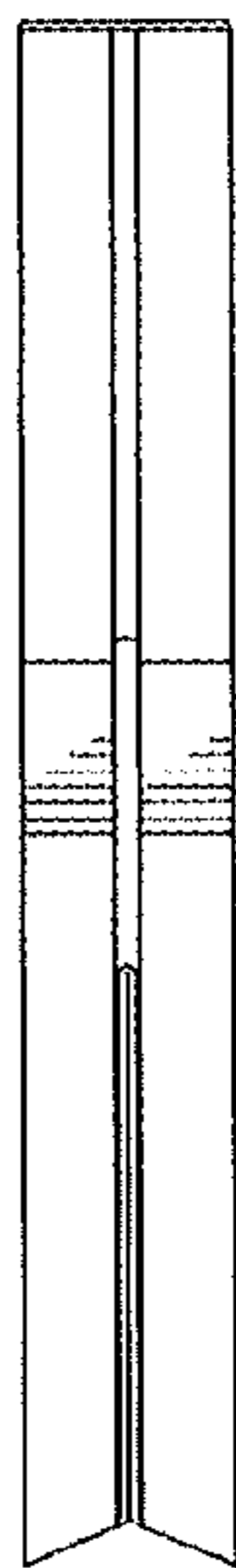


Fig. 10