



US00D754453S

(12) **United States Design Patent**
Mrvica

(10) **Patent No.:** **US D754,453 S**
(45) **Date of Patent:** **** Apr. 26, 2016**

- (54) **DISPENSER FACE PLATE**
- (71) Applicant: **CASCADES CANADA ULC**, Montreal (CA)
- (72) Inventor: **Mate Mrvica**, Pierrefonds (CA)
- (73) Assignee: **Cascades Canada ULC**, Montreal (CA)
- (**) Term: **14 Years**
- (21) Appl. No.: **29/490,983**
- (22) Filed: **May 15, 2014**

5,076,466 A	12/1991	Petterson et al.
5,100,020 A	3/1992	Petterson et al.
5,102,007 A	4/1992	Petterson et al.
5,131,561 A	7/1992	Casperson et al.
D332,193 S	1/1993	Petterson et al.
D337,227 S	7/1993	Giugiaro
D357,938 S *	5/1995	Wolff D19/86
5,950,863 A	9/1999	Schutz et al.
6,352,172 B1	3/2002	Chan et al.
6,378,726 B1	4/2002	Chan et al.
6,585,129 B2	7/2003	Moody et al.
6,899,251 B2	5/2005	Christensen et al.
6,988,635 B2	1/2006	Hochtritt et al.
D520,277 S	5/2006	Smiley et al.
7,093,737 B2	8/2006	Tramontina et al.
D543,744 S *	6/2007	Tippmann D6/518

(Continued)

- (30) **Foreign Application Priority Data**
- Nov. 19, 2013 (CA) 153982
- (51) **LOC (10) Cl.** **13-03**
- (52) **U.S. Cl.**
- USPC **D6/518**
- (58) **Field of Classification Search**
- USPC D6/515-523; D34/7, 10, 11
- CPC B65F 1/06; B65F 1/615; B65F 1/607;
B65F 1/062; B65F 1/163; B65D 85/04;
B65D 83/0805; B65D 83/0847; B65D 85/671;
B65D 85/672; B65D 2519/00019; B65D
2519/00054; B65D 2519/00089; B65D
2519/00159; B65D 2519/00194; B65D
2519/00273; B65D 2519/00641; B65D
2519/00711
- See application file for complete search history.

FOREIGN PATENT DOCUMENTS

CA	114911	7/2007
CA	147898	3/2013
WO	2014037041 A1	3/2014

Primary Examiner — Daniel Bui

Assistant Examiner — Khawaja Anwar

(74) *Attorney, Agent, or Firm* — Wiley Rein LLP

(57) **CLAIM**

The ornamental design for a dispenser face plate, as shown and described.

DESCRIPTION

FIG. 1 is a perspective view of a dispenser face plate showing the new design;

FIG. 2 is a front elevation view thereof;

FIG. 3 is a rear elevation view thereof;

FIG. 4 is a top plan view thereof;

FIG. 5 is a bottom plan view thereof;

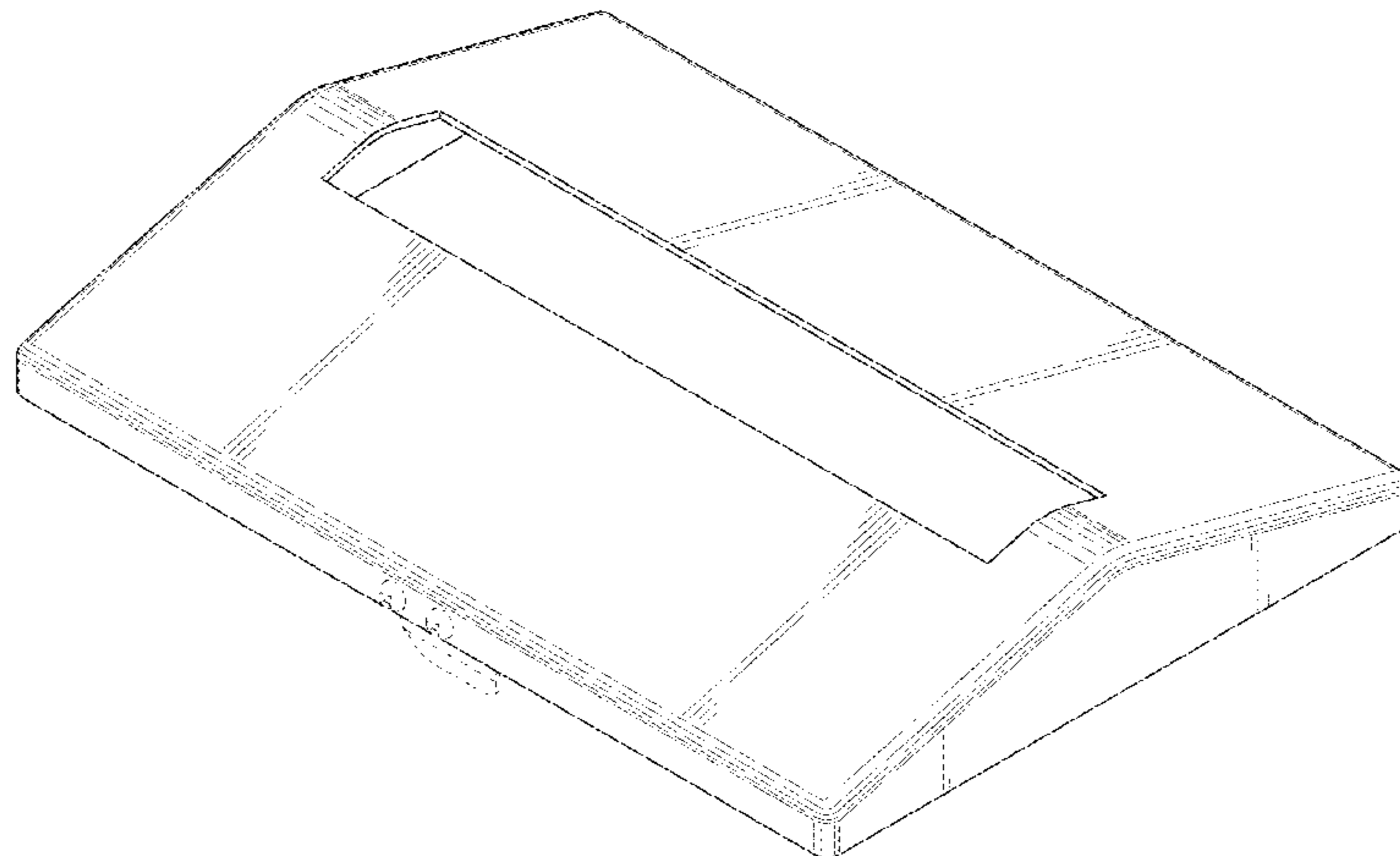
FIG. 6 is a left-side elevation view thereof; and,

FIG. 7 is a right-side elevation view thereof.

The broken line in the figure drawings represents unclaimed environment only and forms no part of the claimed design.

1 Claim, 5 Drawing Sheets

- (56) **References Cited**
- U.S. PATENT DOCUMENTS**
- 3,203,586 A 8/1965 Downham
- 4,127,954 A 12/1978 Hausmann
- 4,155,484 A 5/1979 Pastore
- 4,679,703 A 7/1987 De Luca
- 4,706,844 A 11/1987 Omdoll et al.
- D296,064 S 6/1988 Omdoll et al.
- 4,838,454 A 6/1989 Salzmann et al.



(56)

References Cited

U.S. PATENT DOCUMENTS

D546,604 S *	7/2007	Omdoll	D6/518	D630,873 S	1/2011	Kuehneman et al.	
D564,812 S *	3/2008	Tomic	D6/518	D648,187 S	11/2011	Kuehneman et al.	
7,341,166 B2	3/2008	Reinsel et al.		D651,831 S *	1/2012	Becherer	D6/518
7,367,470 B2	5/2008	Cittadino et al.		D655,958 S *	3/2012	Kluck	D6/518
D579,249 S	10/2008	Omdoll et al.		8,328,046 B2	12/2012	Hochtritt et al.	
7,543,719 B2	6/2009	Young et al.		D676,266 S	2/2013	Reitze	
D604,997 S	12/2009	Kuehneman et al.		D685,591 S	7/2013	Kluck	
7,661,553 B2	2/2010	Zeiron		8,608,023 B2	12/2013	Case et al.	
7,837,057 B2	11/2010	Zeiron		D701,434 S	3/2014	Wilson, Jr.	
				D735,488 S *	8/2015	Page	D6/518
				2007/0001377 A1	1/2007	Smithson et al.	
				2013/0228587 A1	9/2013	Formon	

* cited by examiner

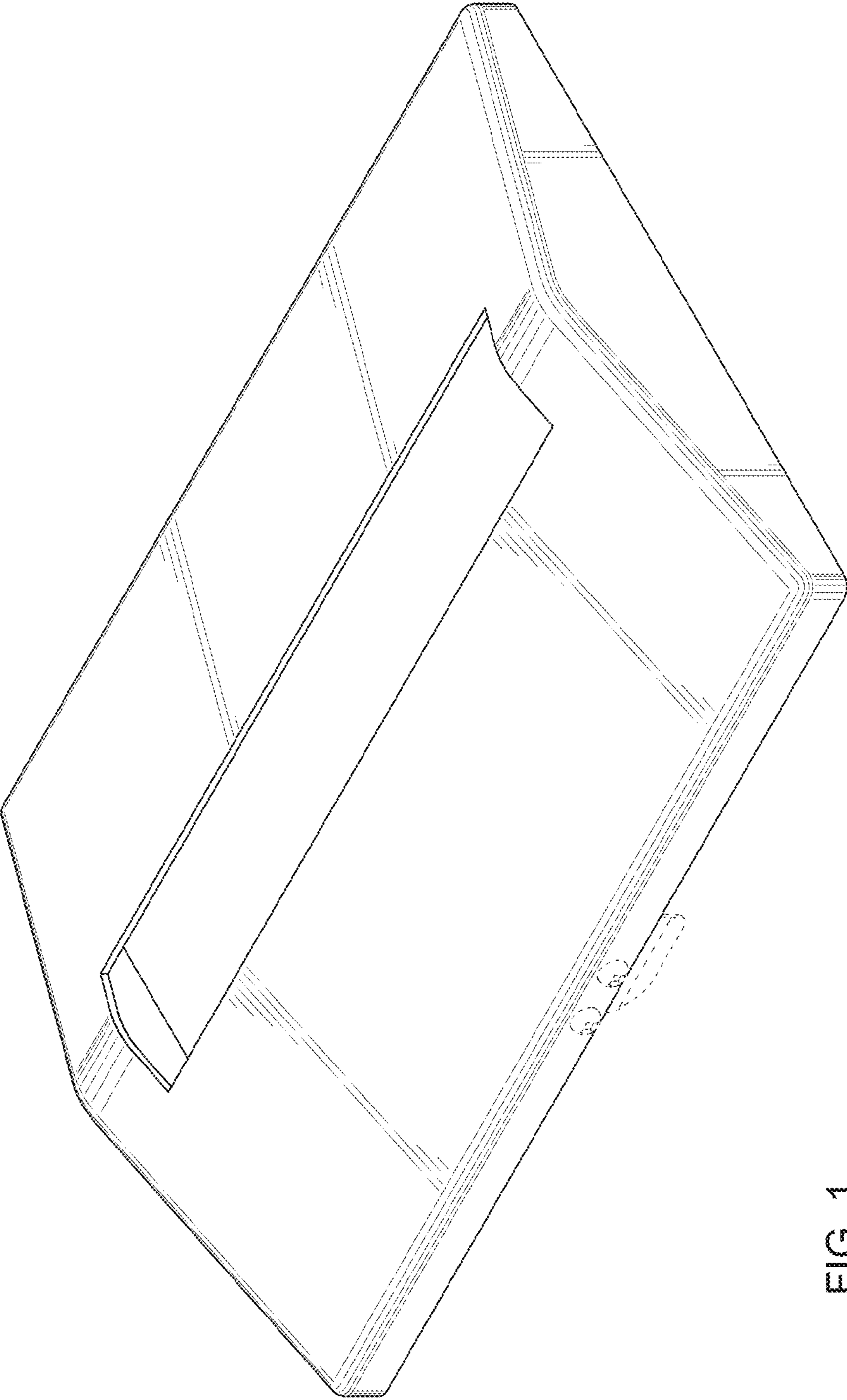


FIG. 1

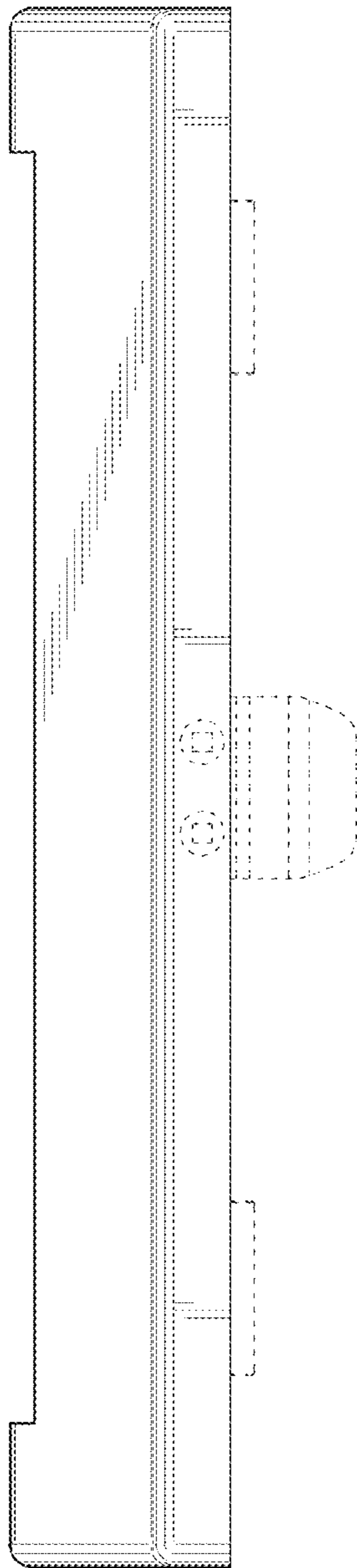


FIG. 2

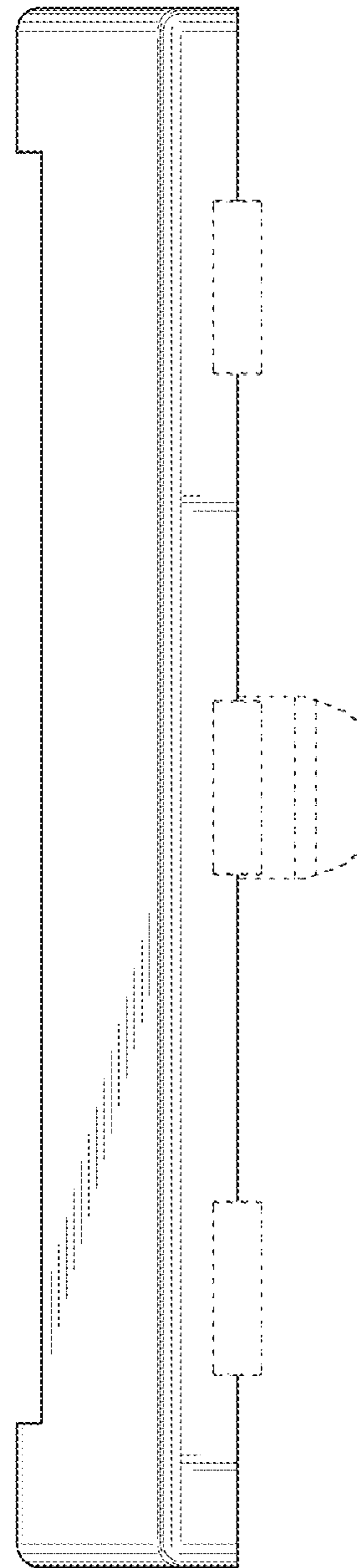


FIG. 3

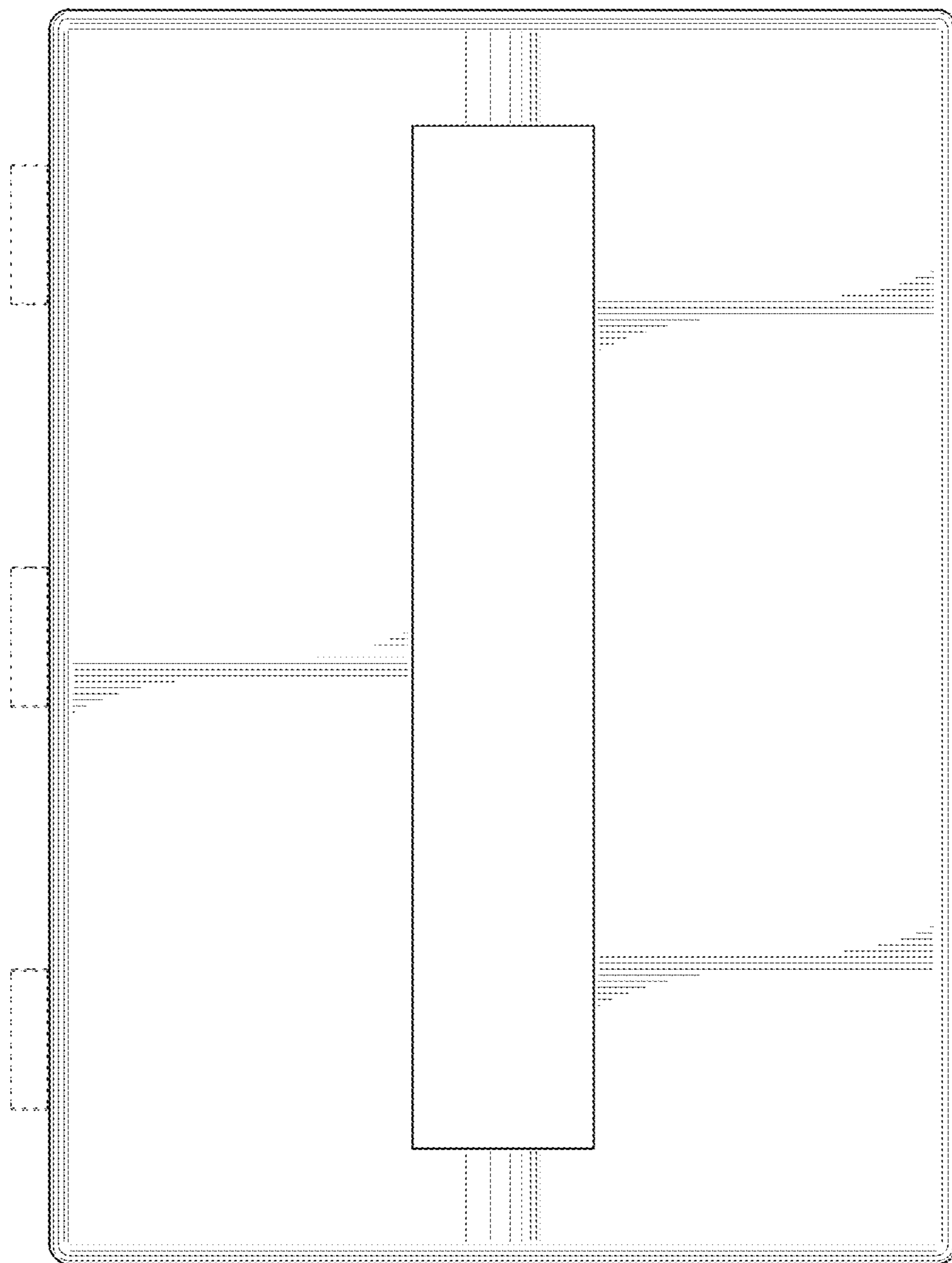


FIG. 4

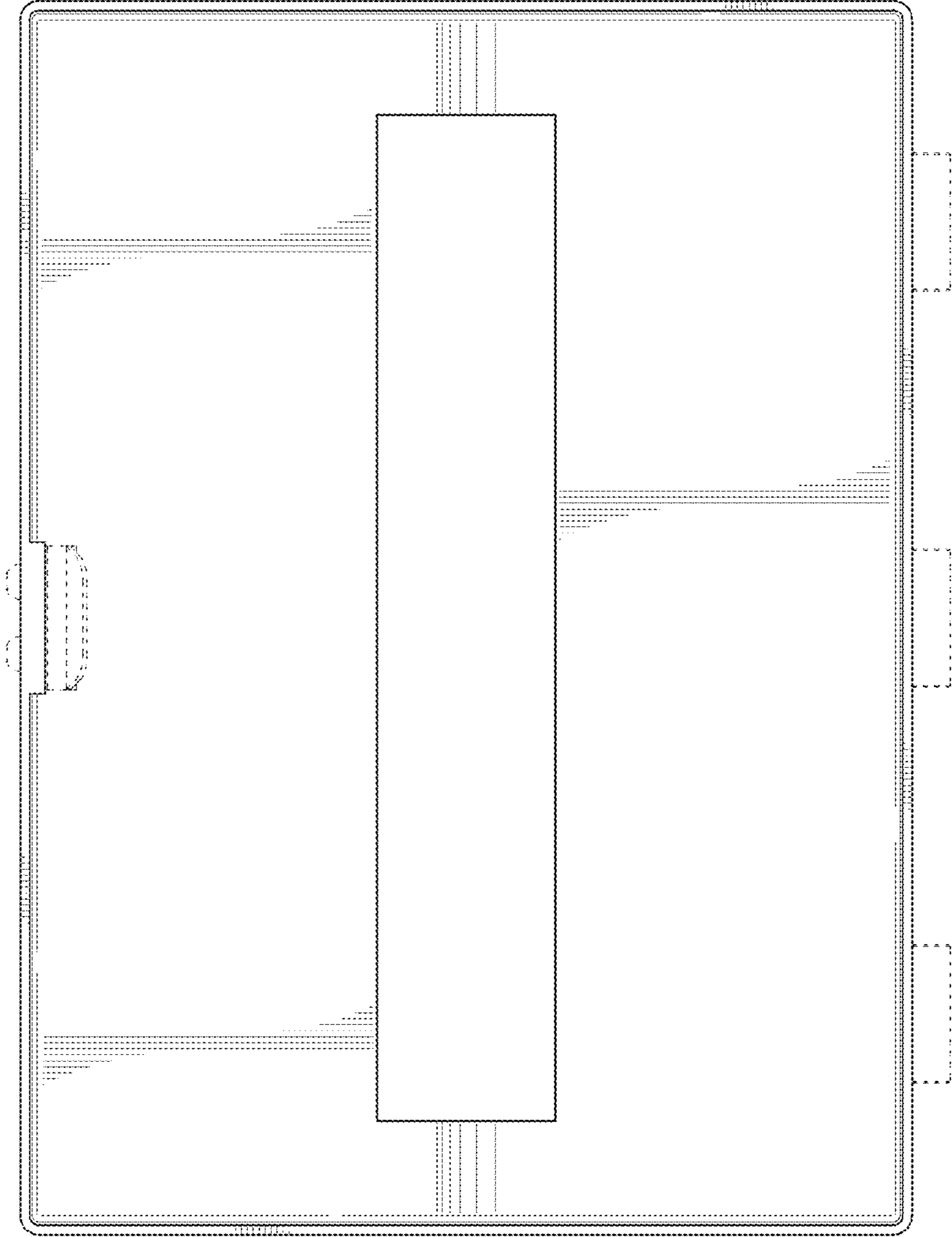


FIG. 5

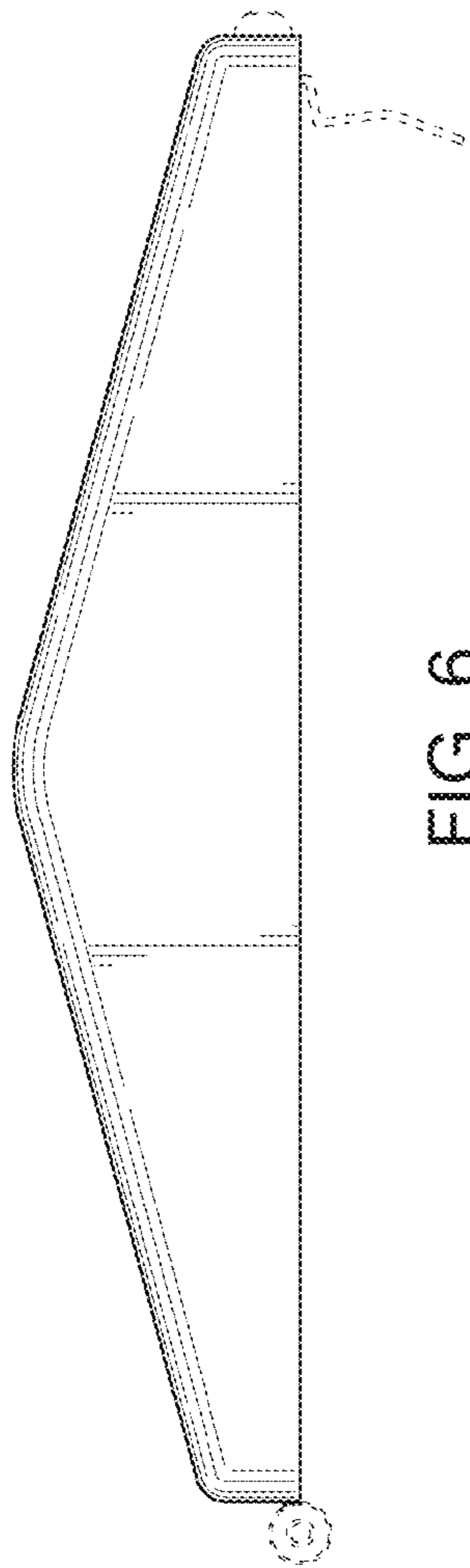


FIG. 6

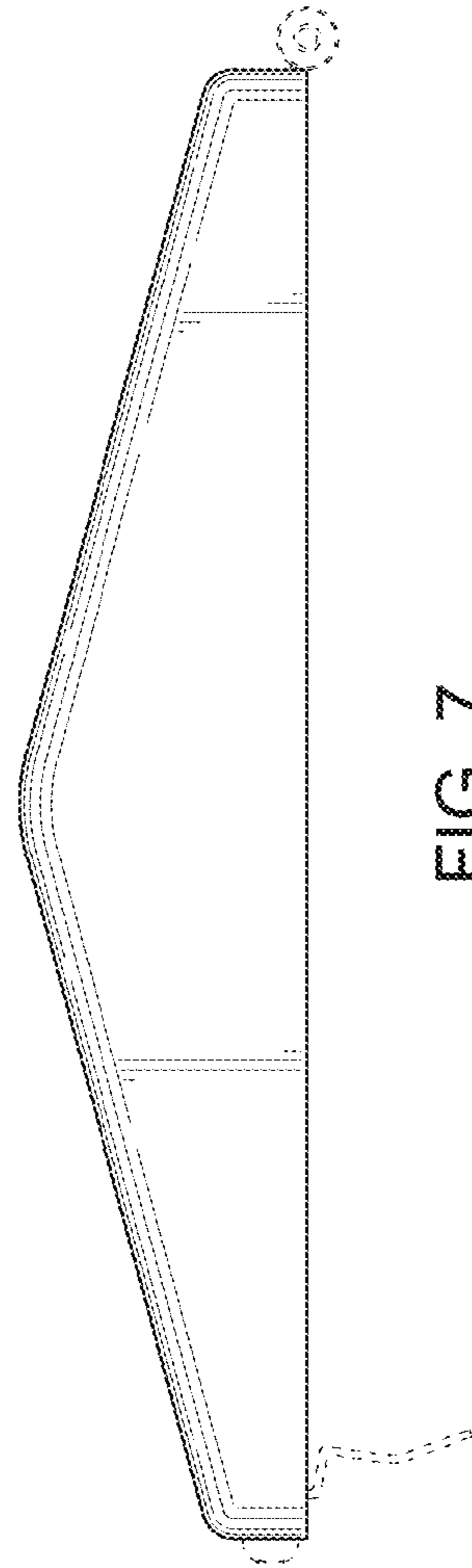


FIG. 7