



US00D754451S

(12) **United States Design Patent**
Stroman

(10) **Patent No.:** **US D754,451 S**
(45) **Date of Patent:** **** Apr. 26, 2016**

- (54) **CHAIR**
- (71) Applicant: **Thomas Stroman**, New York, NY (US)
- (72) Inventor: **Thomas Stroman**, New York, NY (US)
- (**) Term: **14 Years**
- (21) Appl. No.: **29/516,335**
- (22) Filed: **Jan. 30, 2015**
- (51) **LOC (10) Cl.** **06-01**
- (52) **U.S. Cl.**
USPC **D6/361**
- (58) **Field of Classification Search**
USPC D6/334-336, 348, 361, 371, 373, 374,
D6/375, 716, 716.1, 716.4
CPC A47C 3/029; A47C 3/16; A47C 1/146;
A47C 7/383; A47C 4/025; A47C 5/06
See application file for complete search history.

(56) **References Cited**

U.S. PATENT DOCUMENTS

- 3,526,429 A * 9/1970 Metzger A47C 3/029
297/271.5
- 3,717,378 A * 2/1973 Jackson A47C 3/16
297/447.2
- 4,027,888 A * 6/1977 Wilcox A47C 3/16
297/284.1

- 6,748,615 B1 * 6/2004 Tiedemann A47C 7/383
297/397
- 6,782,572 B1 * 8/2004 Jones A47C 7/383
297/397
- 7,033,307 B2 * 4/2006 Van Straaten A47C 3/16
482/140
- D608,102 S * 1/2010 Kemm D6/361
- D688,053 S * 8/2013 Chiu D6/361

* cited by examiner

Primary Examiner — Mimosa De

(74) *Attorney, Agent, or Firm* — Hogan Lovells US LLP

(57) **CLAIM**

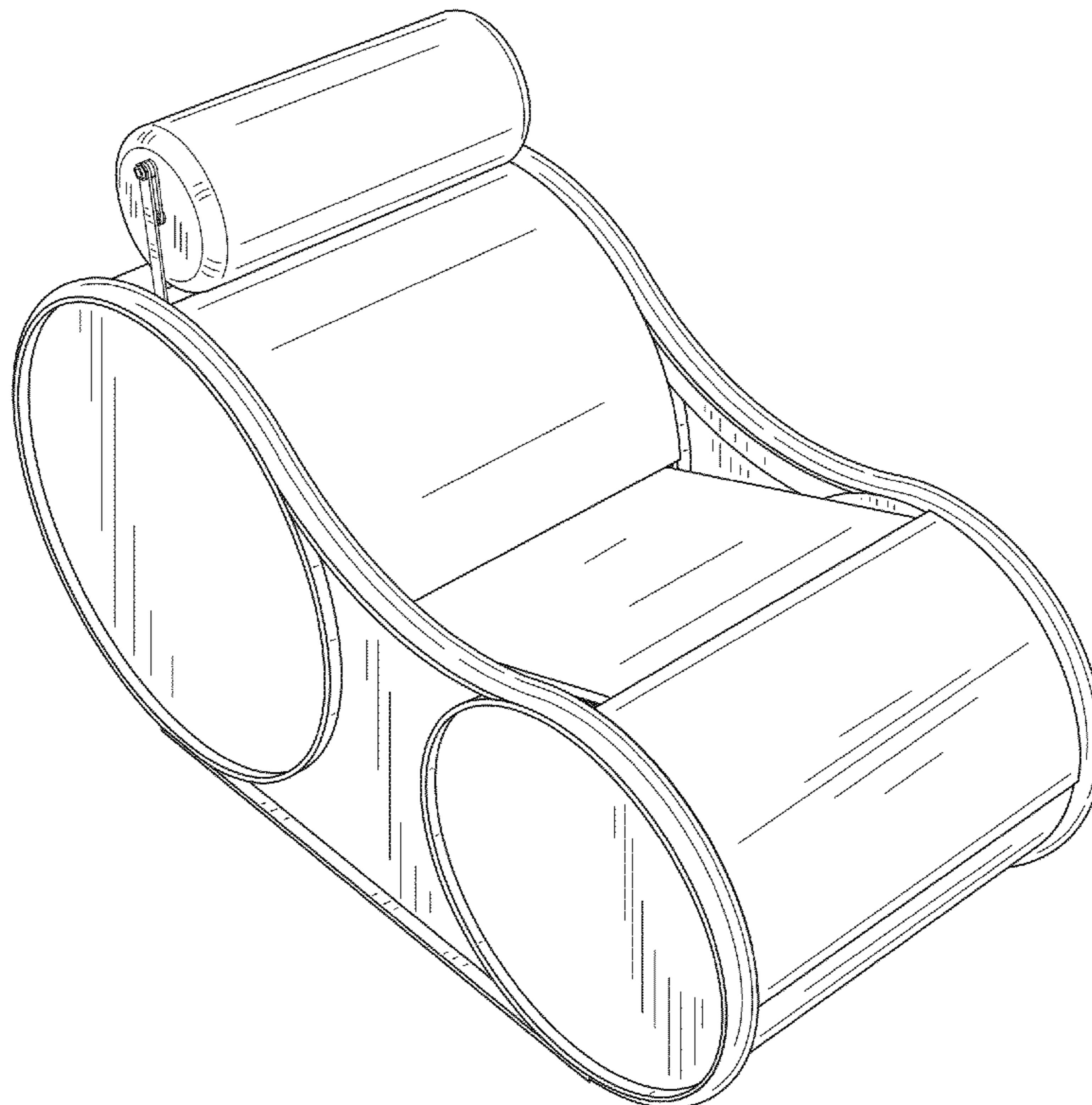
The ornamental design for a chair, as shown and described.

DESCRIPTION

FIG. 1 is a front perspective view of a chair;
 FIG. 2 is a front view thereof;
 FIG. 3 is a rear view thereof;
 FIG. 4 is a right side view thereof;
 FIG. 5 is a left side view thereof;
 FIG. 6 is a top view thereof; and,
 FIG. 7 is a bottom view thereof.

The details shown in broken lines are for illustrative purposes only and form no part of the claimed design.

1 Claim, 7 Drawing Sheets



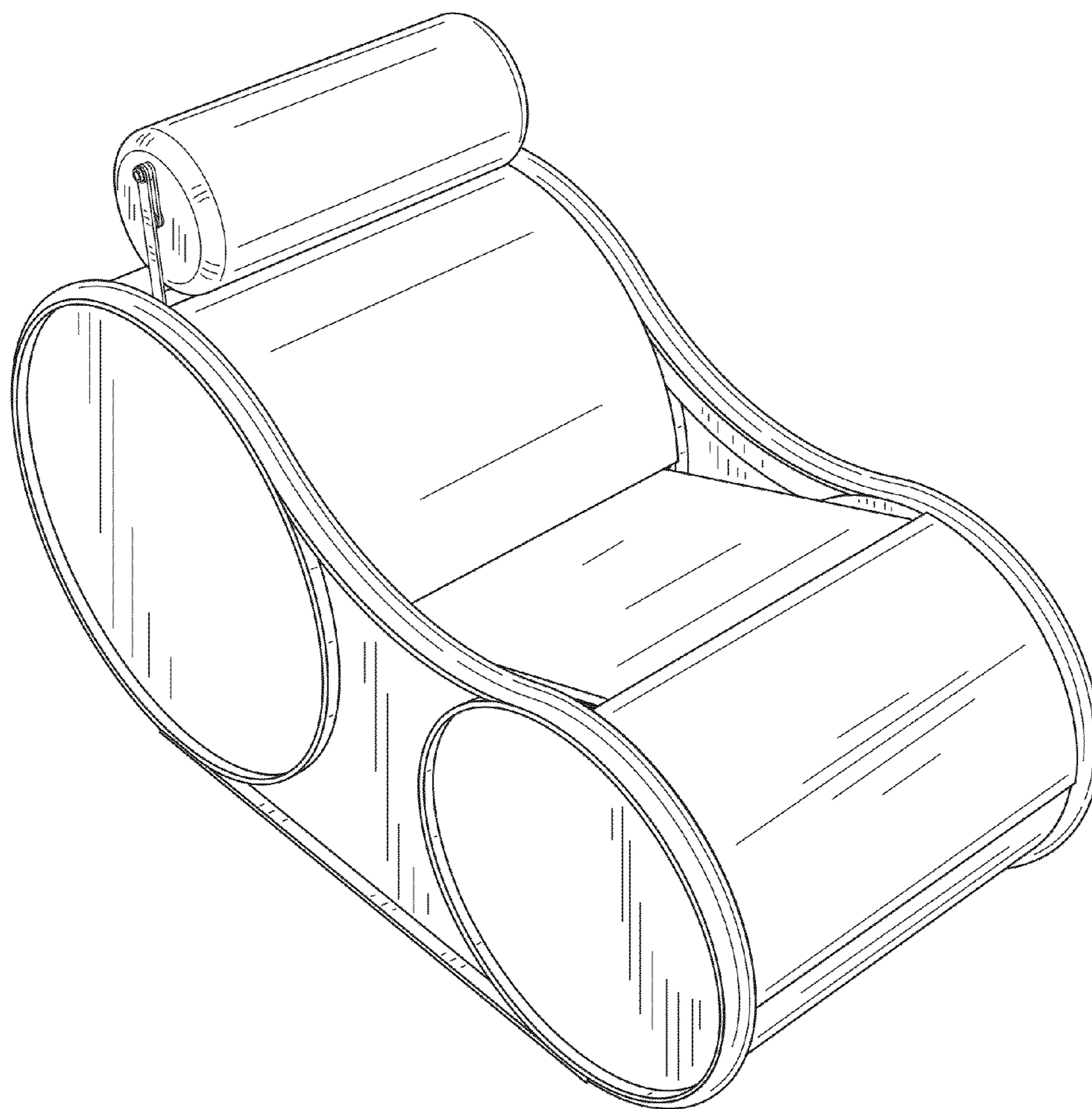


FIG.1

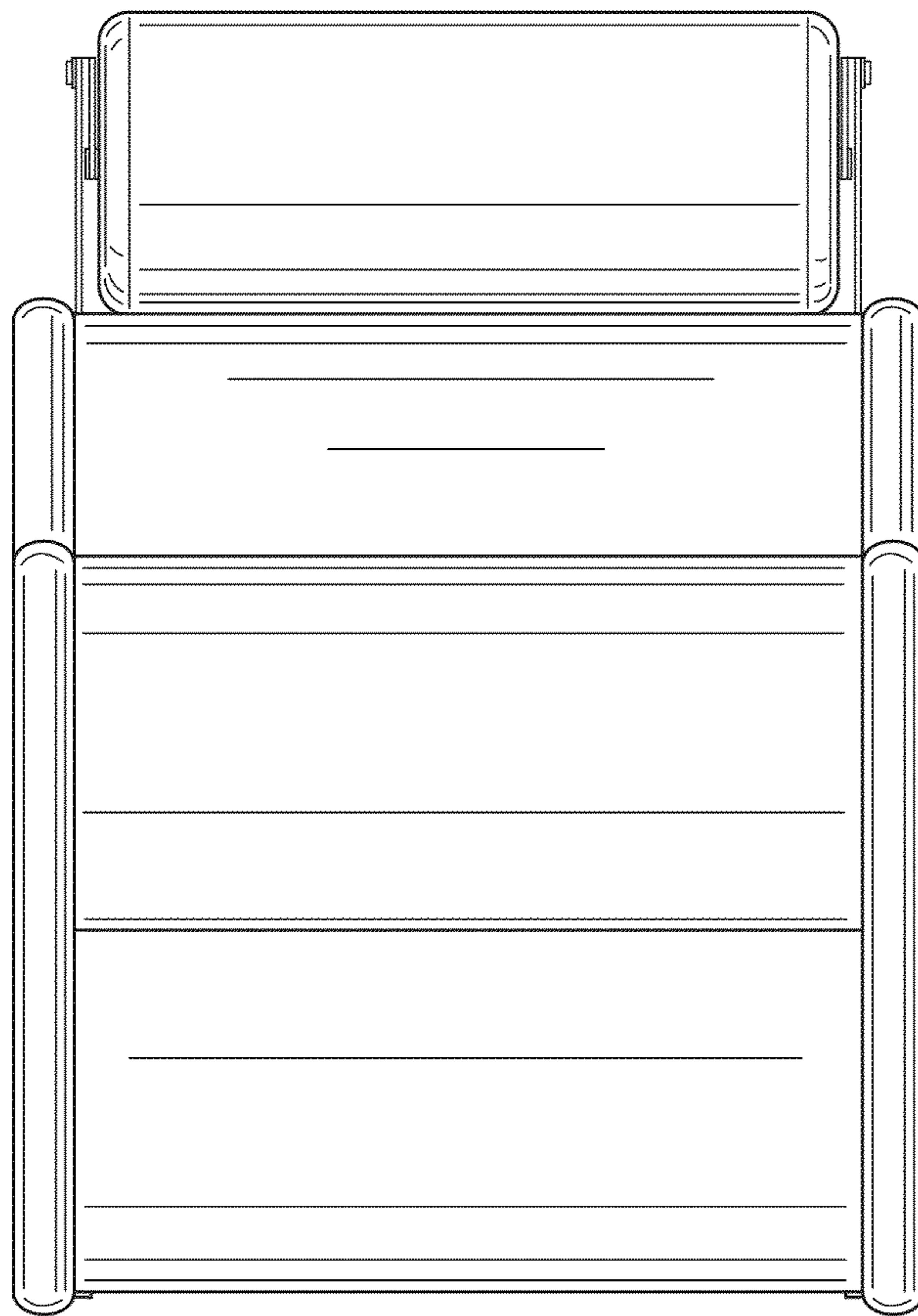


FIG.2

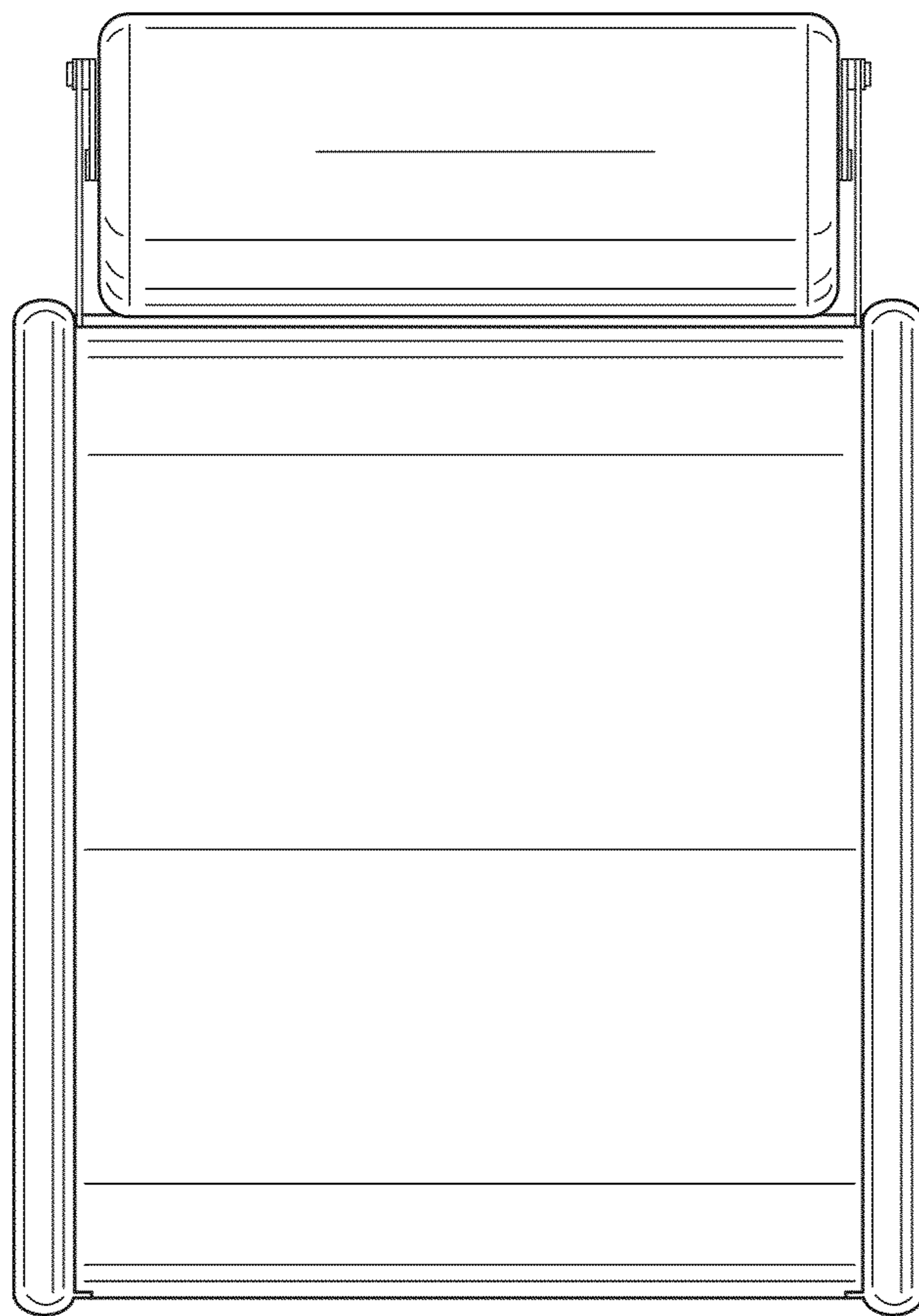


FIG.3

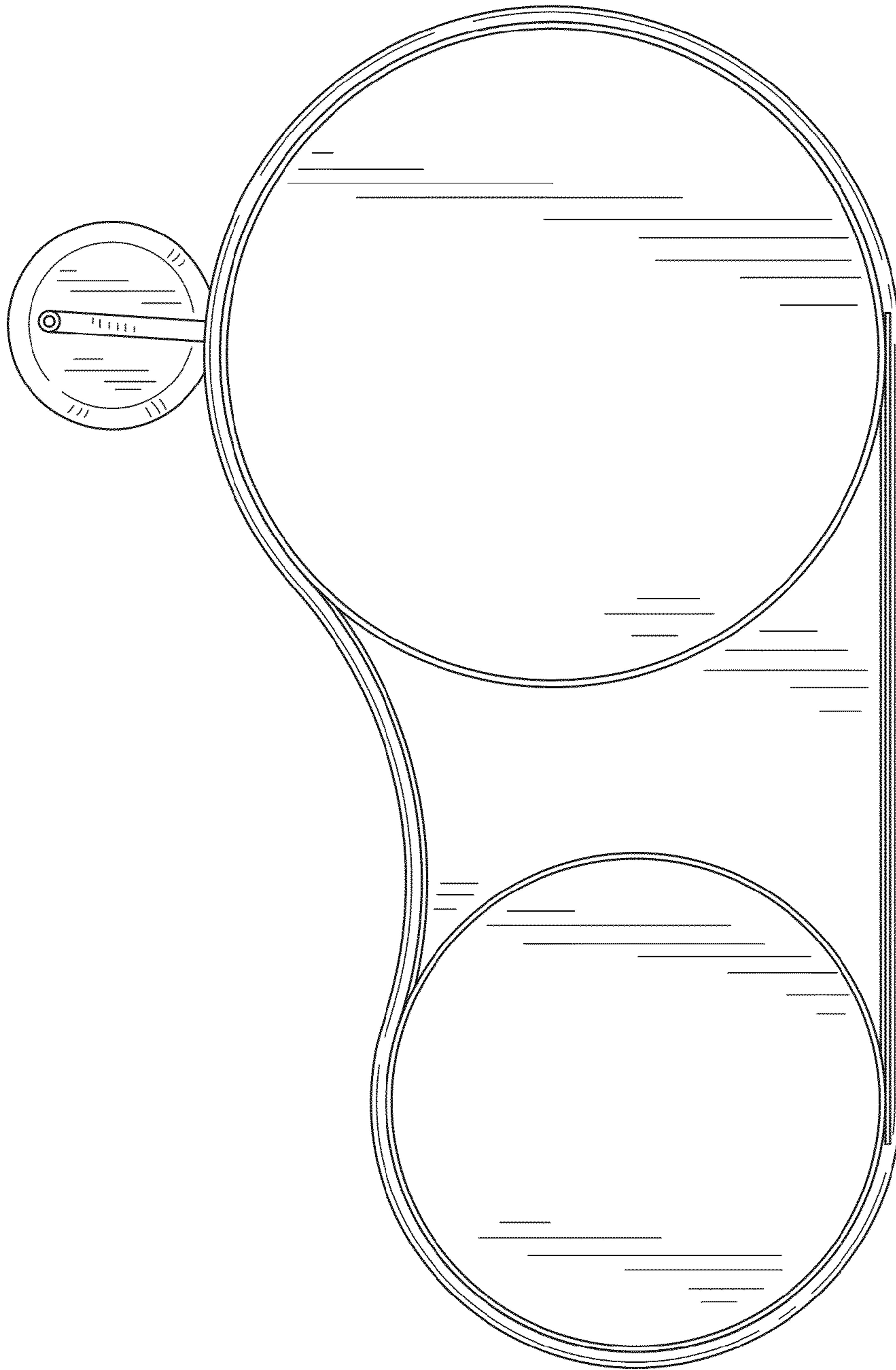


FIG.4

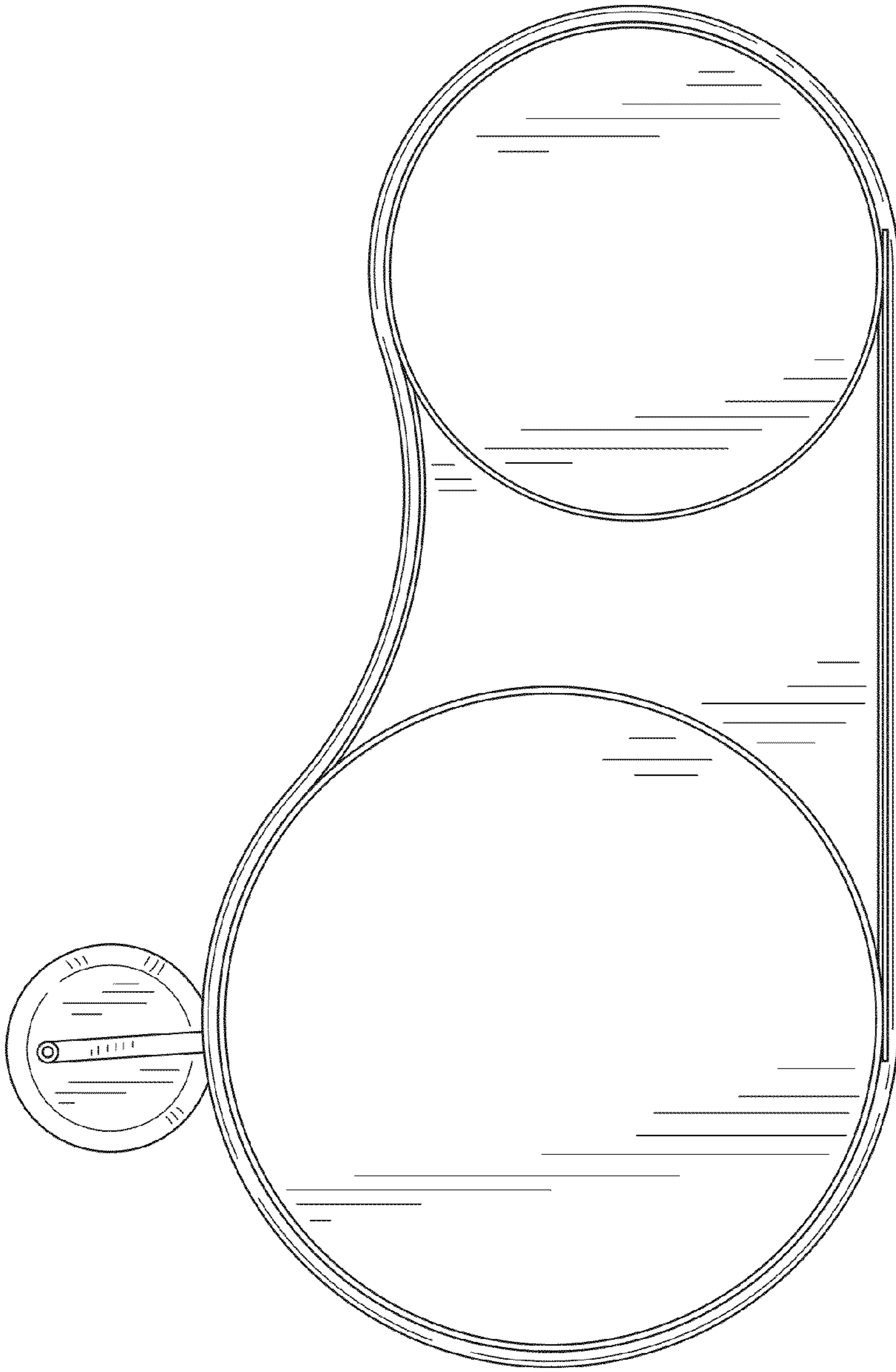


FIG.5

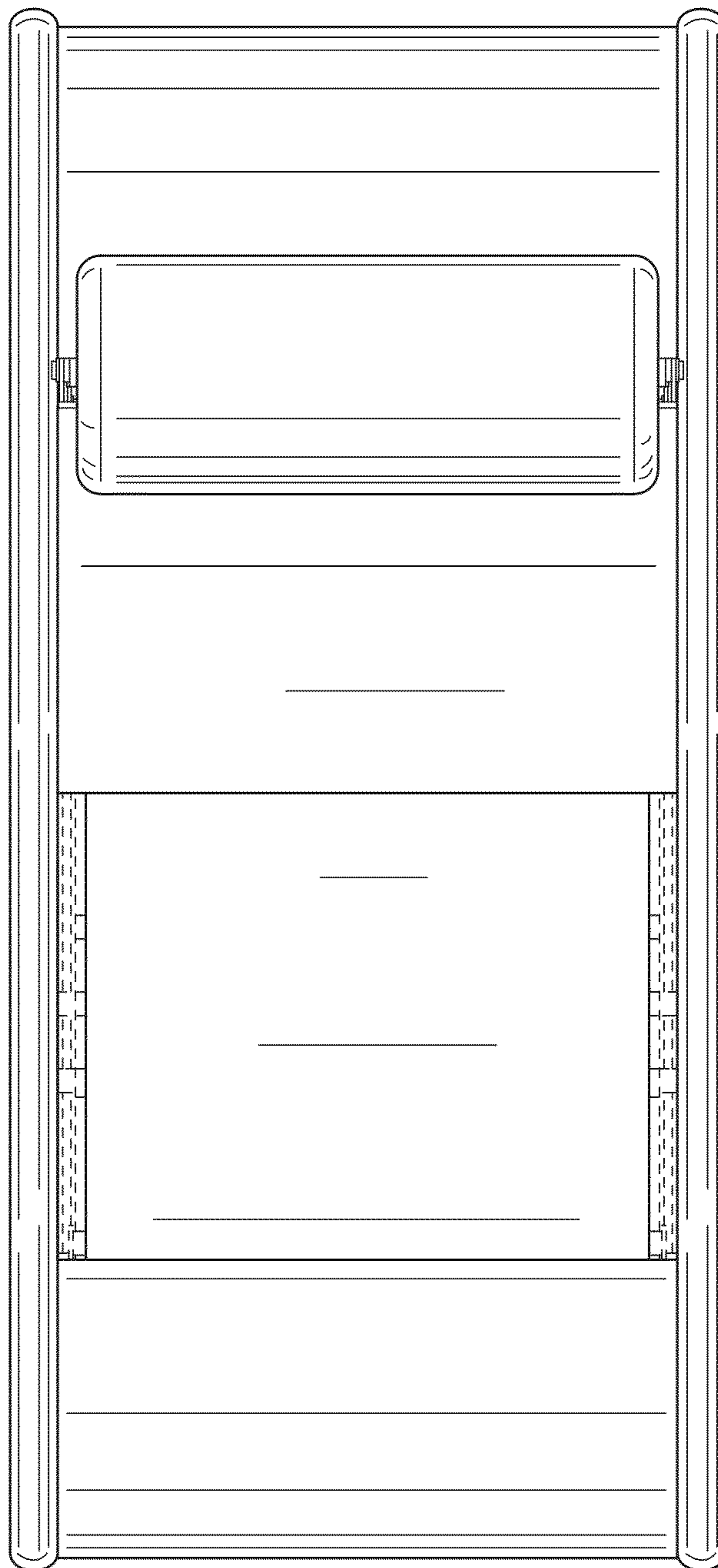


FIG.6

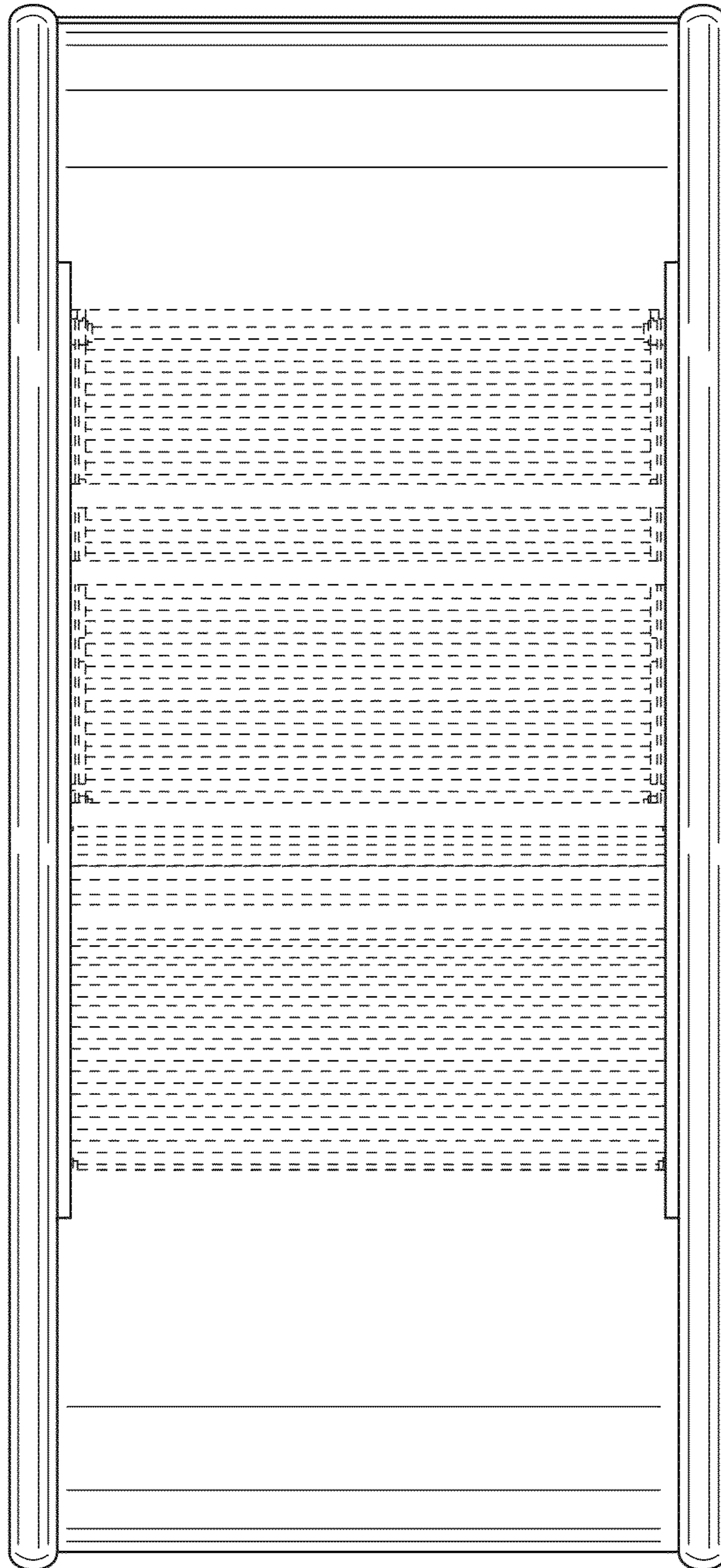


FIG.7