



US00D754449S

(12) **United States Design Patent**
Lam

(10) **Patent No.:** **US D754,449 S**
(45) **Date of Patent:** **** Apr. 26, 2016**

- (54) **SADDLE WITH GRIPS**
- (71) Applicant: **Trek Bicycle Corporation**, Waterloo, WI (US)
- (72) Inventor: **Vi Lam**, South Elgin, IL (US)
- (73) Assignee: **Trek Bicycle Corporation**, Waterloo, WI (US)
- (**) Term: **14 Years**
- (21) Appl. No.: **29/491,777**
- (22) Filed: **May 23, 2014**
- (51) **LOC (10) Cl.** **06-01**
- (52) **U.S. Cl.**
USPC **D6/354**
- (58) **Field of Classification Search**
USPC D6/340, 354; D12/110, 111; 296/65.13, 296/68.1, 132; 297/195.1, 196-215, 297/215.1-216.16, 452.1, 452.11-452.19, 297/452.21, 452.4, 452.55-452.59, 297/452.63-452.65
CPC B62J 1/002; B62J 1/005; B62J 1/007; B62J 1/26
See application file for complete search history.

7,077,469	B2 *	7/2006	Badia i Farre	297/202
7,537,281	B2 *	5/2009	Riondato	297/202
D684,780	S *	6/2013	Toll	D6/354
2005/0006932	A1 *	1/2005	Laidlaw	297/201
2007/0069557	A1 *	3/2007	Toll	297/202
2008/0265636	A1 *	10/2008	Toll	297/202

FOREIGN PATENT DOCUMENTS

JP	2007186075	A *	7/2007	B62J 1/00
JP	2011143734	A *	7/2011	B62J 1/00
JP	2012162255	A *	8/2012	B62J 1/00

* cited by examiner

Primary Examiner — Philip S Hyder
Assistant Examiner — Darlington Ly

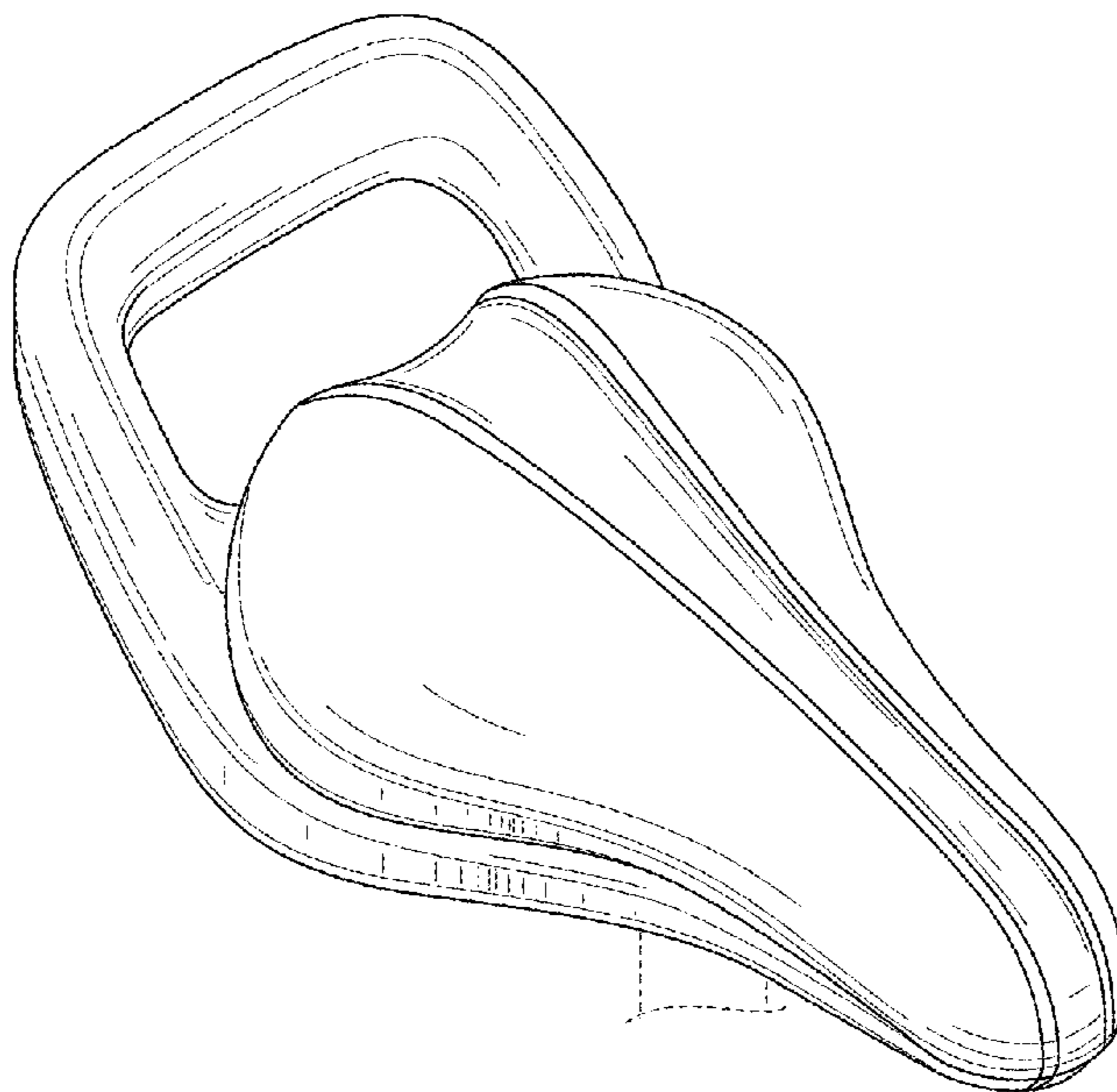
(57) **CLAIM**
The ornamental design for a saddle with grips, as shown and described.

DESCRIPTION

FIG. 1 is a top plan view of a saddle with grips showing my new design;
 FIG. 2 is a bottom plan view thereof;
 FIG. 3 is a front elevation view thereof;
 FIG. 4 is rear elevation view thereof;
 FIG. 5 is a right-side elevation view thereof;
 FIG. 6 is a left-side elevation view thereof;
 FIG. 7 is a top, front, and right-side perspective view thereof;
 and,
 FIG. 8 is a bottom, rear, and left-side perspective view thereof.
 The broken line showing the underside structures of the bicycle saddle and bicycle post are provided for the purposes of illustrating portions of the article and environmental structure and forms no part of the claimed design.

1 Claim, 4 Drawing Sheets

- (56) **References Cited**
U.S. PATENT DOCUMENTS
602,732 A * 4/1898 Craig 297/200
612,552 A * 10/1898 Leech 297/200
612,972 A * 10/1898 Standeford 297/202
D29,719 S * 11/1898 Leech D6/354
1,538,542 A * 5/1925 Blake 297/202
1,858,477 A * 5/1932 Blake 297/202
6,193,309 B1 * 2/2001 Gootter et al. 297/202



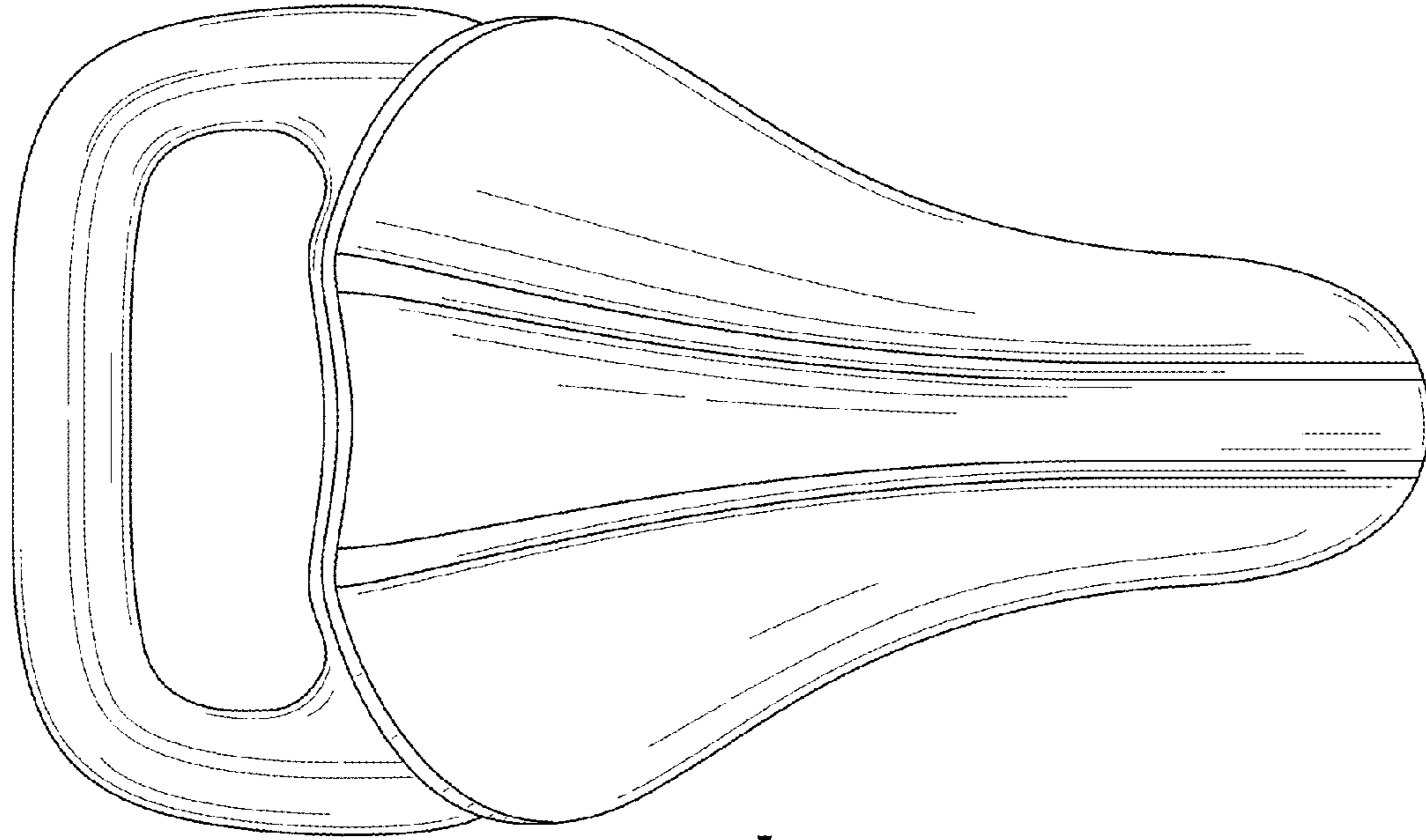


FIG. 1

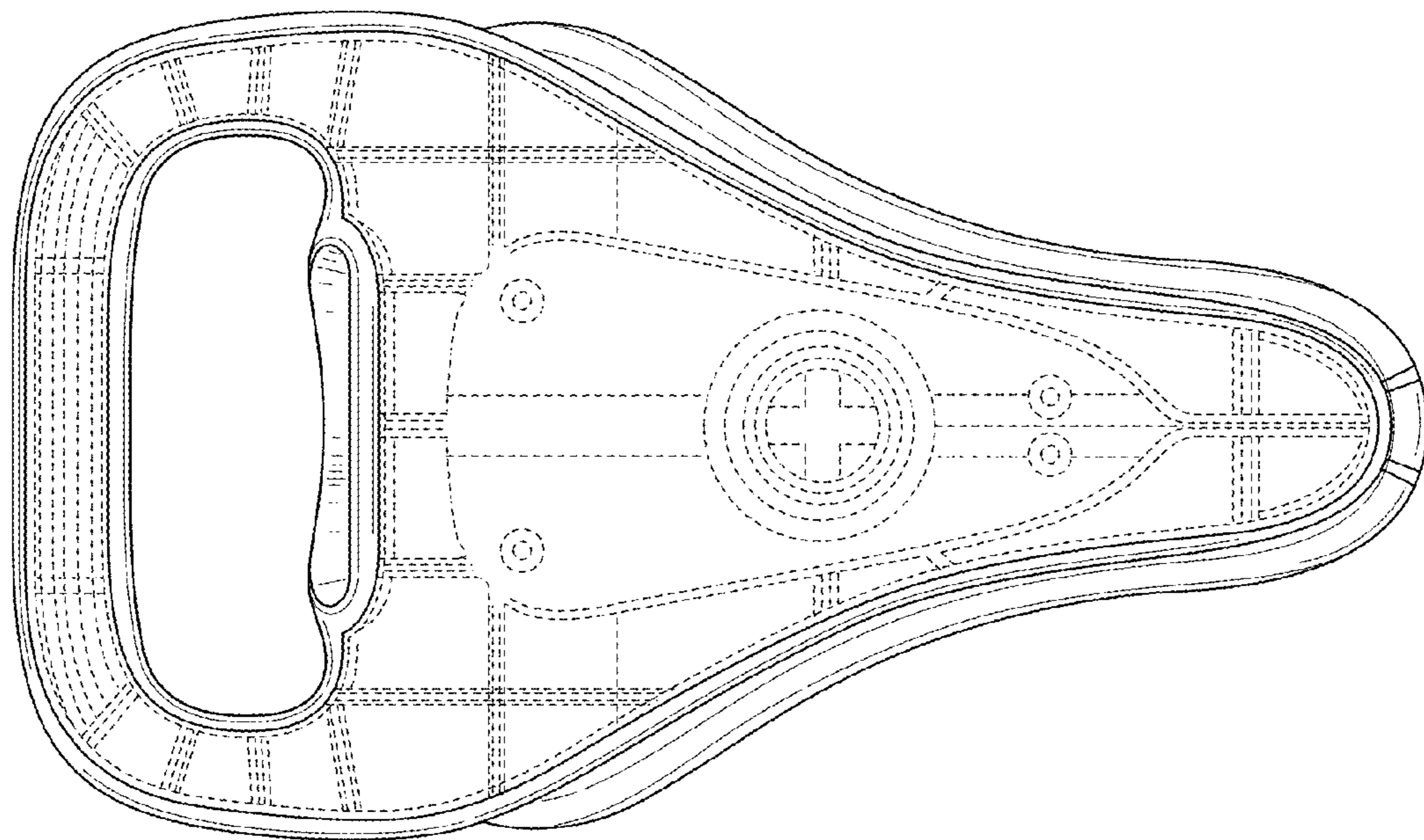


FIG. 2

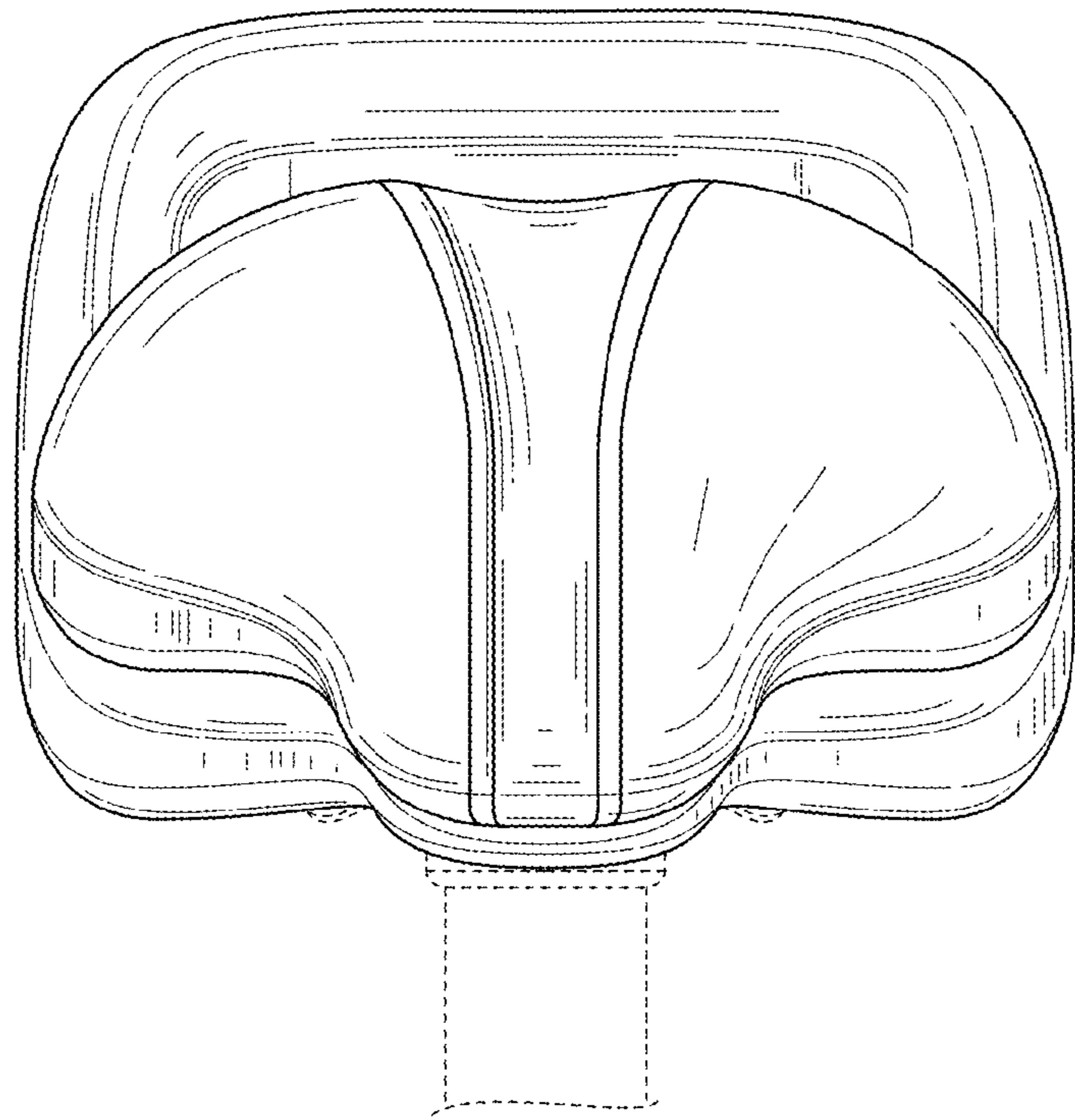


FIG. 3

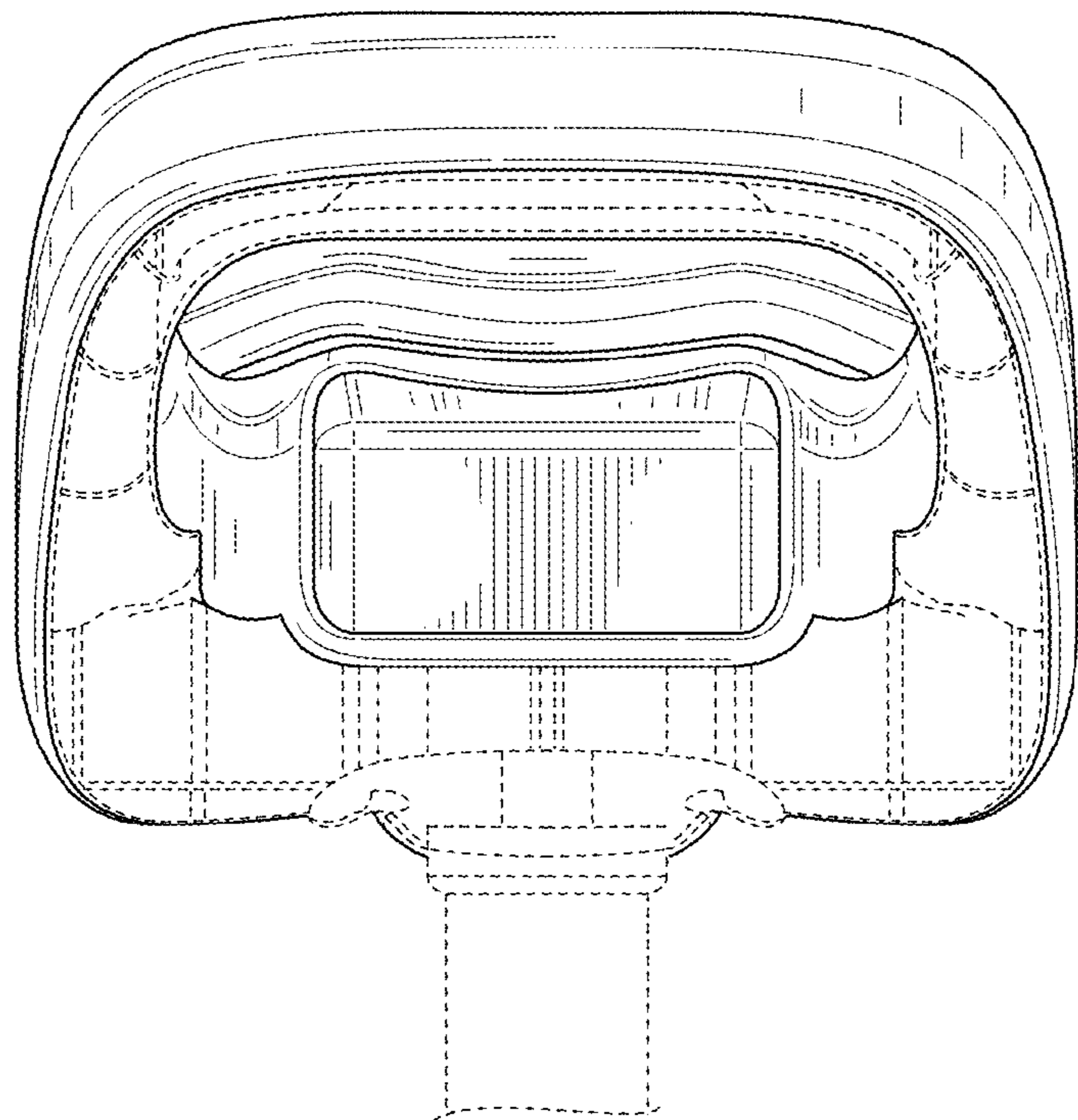


FIG. 4

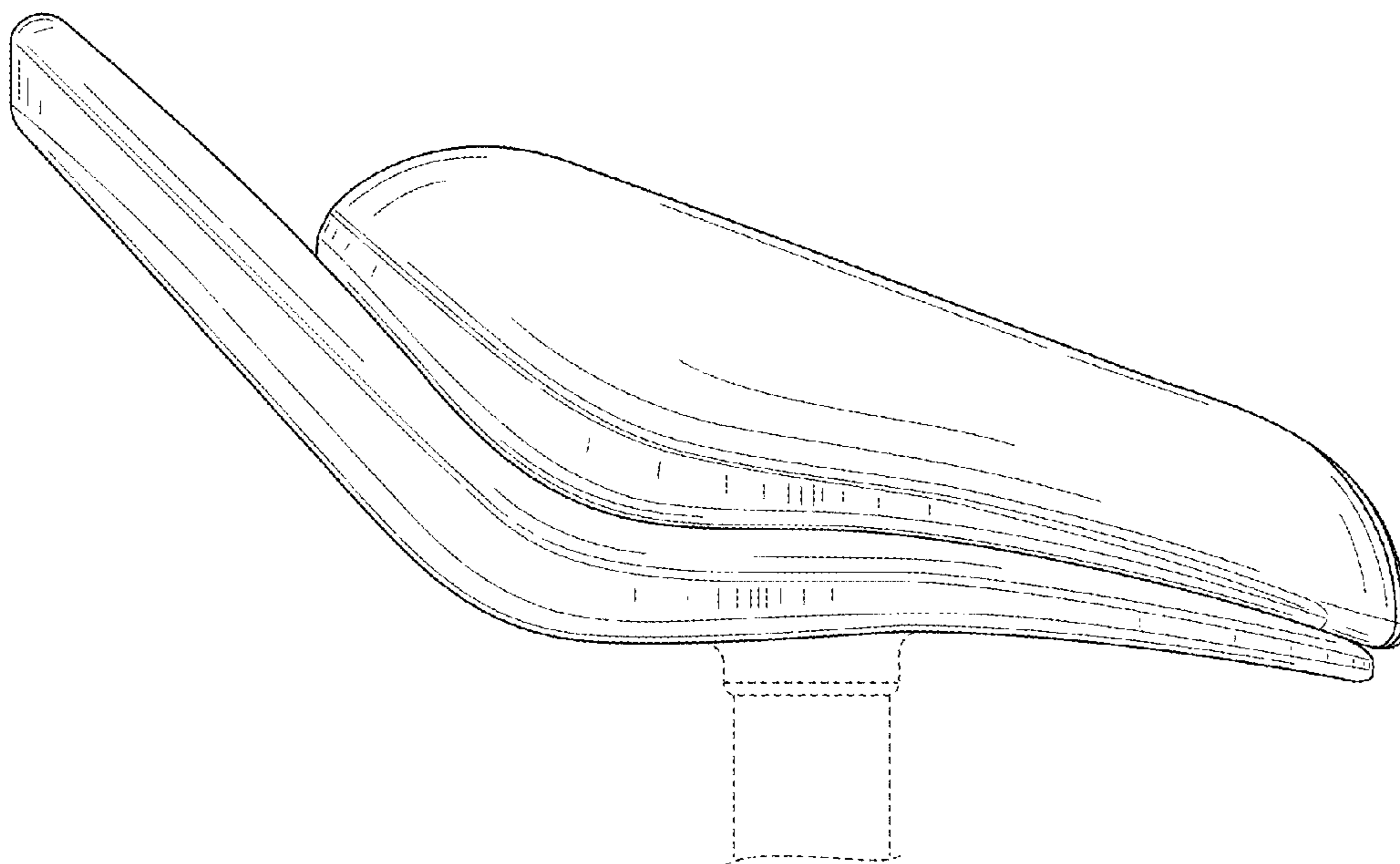


FIG. 5

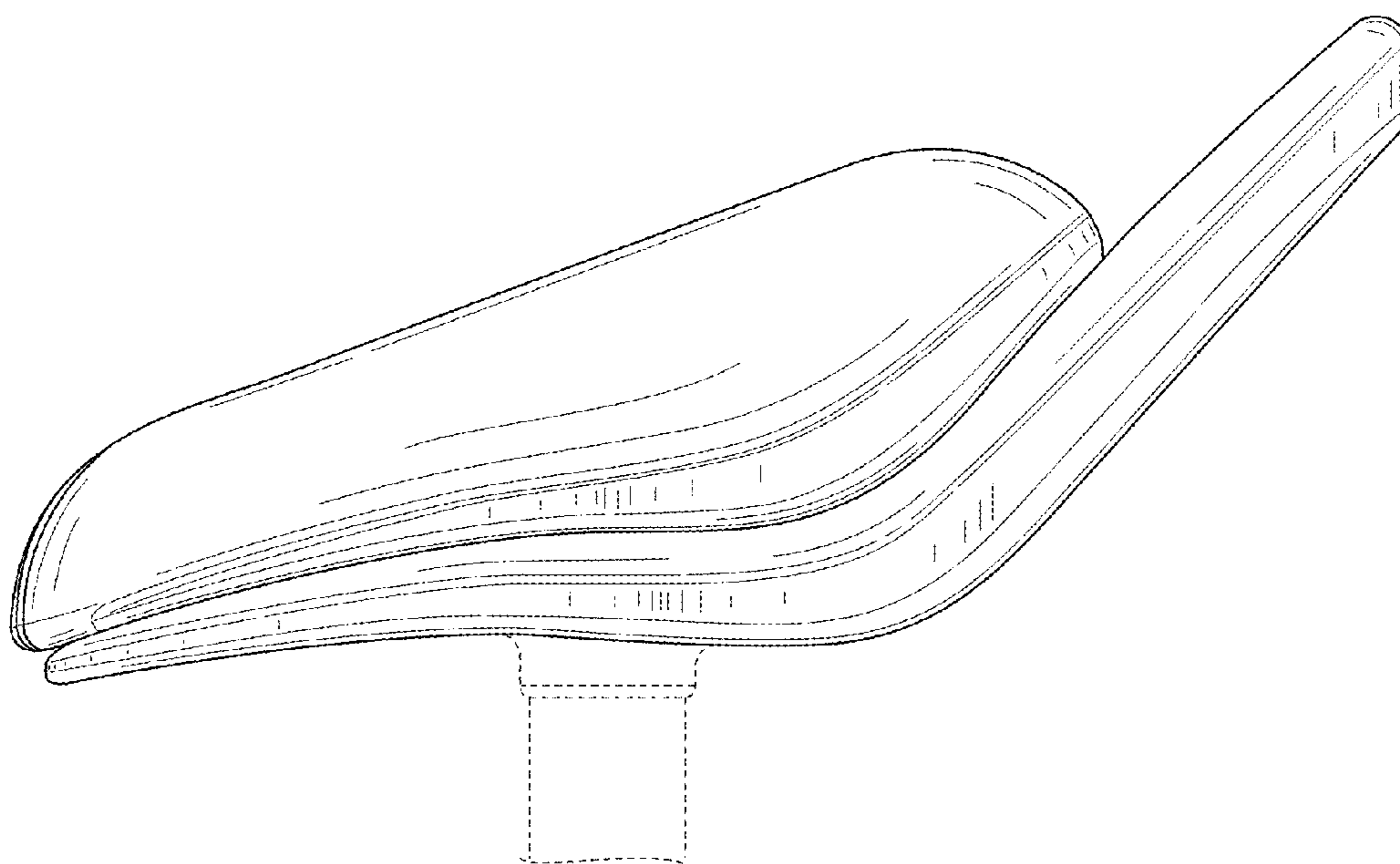


FIG. 6

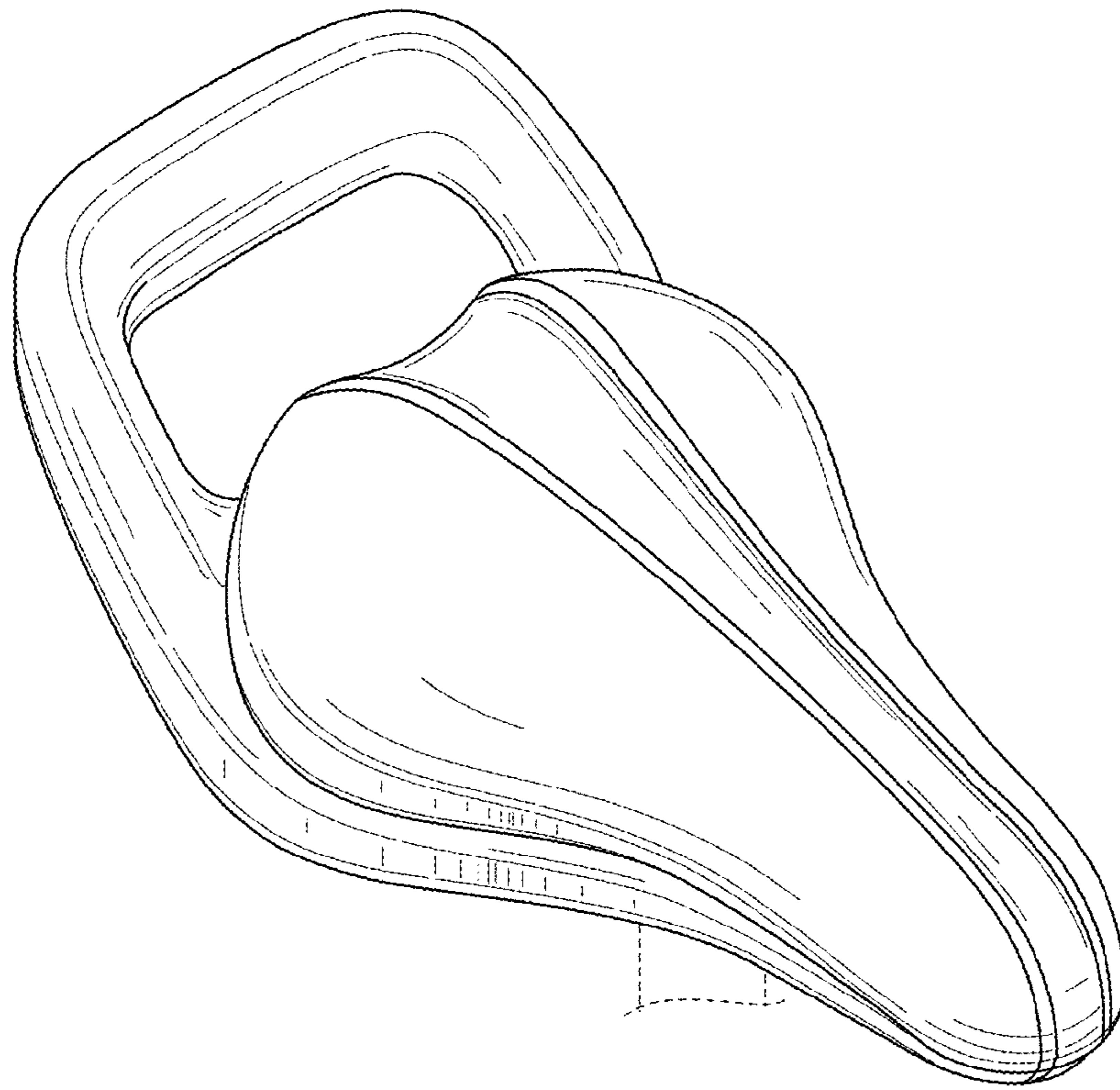


FIG. 7

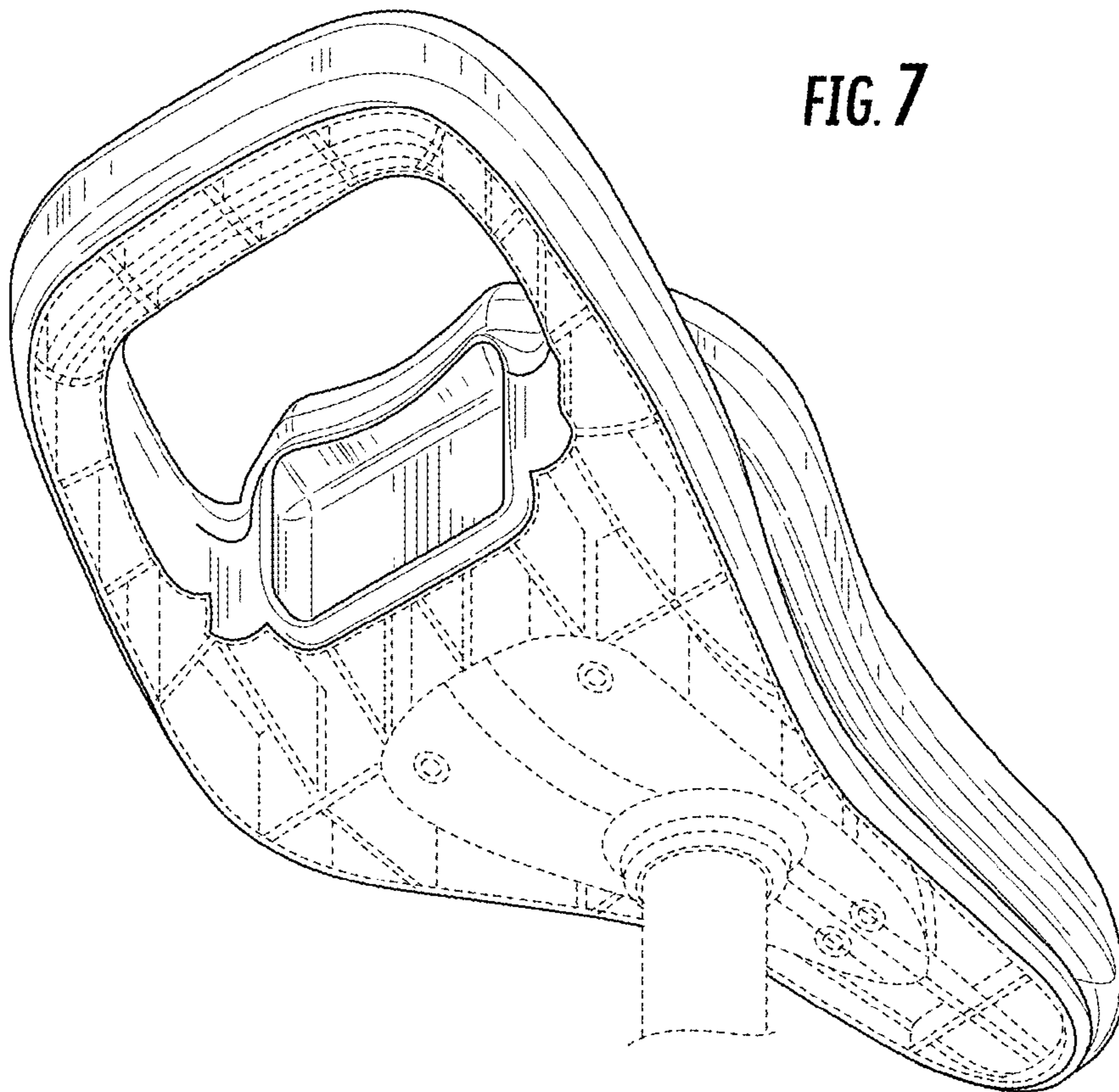


FIG. 8