



US00D754448S

(12) **United States Design Patent**  
**Akkad**

(10) **Patent No.:** **US D754,448 S**

(45) **Date of Patent:** **\*\* Apr. 26, 2016**

(54) **COLLAPSIBLE STORAGE CHAIR**

(71) Applicant: **Idea Nuova, Inc.**, New York, NY (US)

(72) Inventor: **Benjamin S. Akkad**, New York, NY (US)

(73) Assignee: **Idea Nuova, Inc.**, New York, NY (US)

(\*\*) Term: **14 Years**

(21) Appl. No.: **29/521,903**

(22) Filed: **Mar. 26, 2015**

(51) **LOC (10) Cl.** ..... **06-01**

(52) **U.S. Cl.**  
USPC ..... **D6/335**

(58) **Field of Classification Search**  
USPC ..... D6/334, 335, 336, 338, 349, 355, 381,  
D6/716, 716.1, 716.4; 297/118, 119, 135,  
297/144, 232, 445.1, 448.1, 452.18; 5/12.1,  
5/12.2

CPC ..... A47C 1/02; A47C 1/12; A47C 11/00;  
A47C 17/00; A47C 17/02

See application file for complete search history.

(56) **References Cited**

**U.S. PATENT DOCUMENTS**

|           |     |         |             |       |                        |
|-----------|-----|---------|-------------|-------|------------------------|
| 2,340,788 | A * | 2/1944  | Aylor       | ..... | A47C 4/52<br>190/8     |
| 2,641,311 | A * | 6/1953  | Ingram, Jr. | ..... | A47C 4/02<br>267/182   |
| 3,516,709 | A * | 6/1970  | Nader       | ..... | A47C 1/02<br>297/153   |
| D330,639  | S * | 11/1992 | Munro       | ..... | 297/17                 |
| 5,622,404 | A * | 4/1997  | Menne       | ..... | A47C 4/52<br>297/188.1 |
| 5,899,467 | A * | 5/1999  | Henkel      | ..... | A45C 5/14<br>190/1     |
| 6,139,567 | A * | 10/2000 | McCarty     | ..... | A47C 4/52<br>5/633     |

\* cited by examiner

*Primary Examiner* — Sandra Snapp

(74) *Attorney, Agent, or Firm* — Panitch Schwarze Belisario & Nadel LLP

(57) **CLAIM**

The ornamental design for a collapsible storage chair, as shown and described.

**DESCRIPTION**

FIG. 1 is a front perspective view of a collapsible storage chair in accordance with a preferred embodiment of my new design, the collapsible storage chair being shown in an expanded configuration;

FIG. 2 is a front elevation view of the collapsible storage chair of FIG. 1;

FIG. 3 is a rear elevation view of the collapsible storage chair of FIG. 1;

FIG. 4 is a left side elevation view of the collapsible storage chair of FIG. 1, a right side elevation view thereof being a mirror image;

FIG. 5 is a top plan view of the collapsible storage chair of FIG. 1;

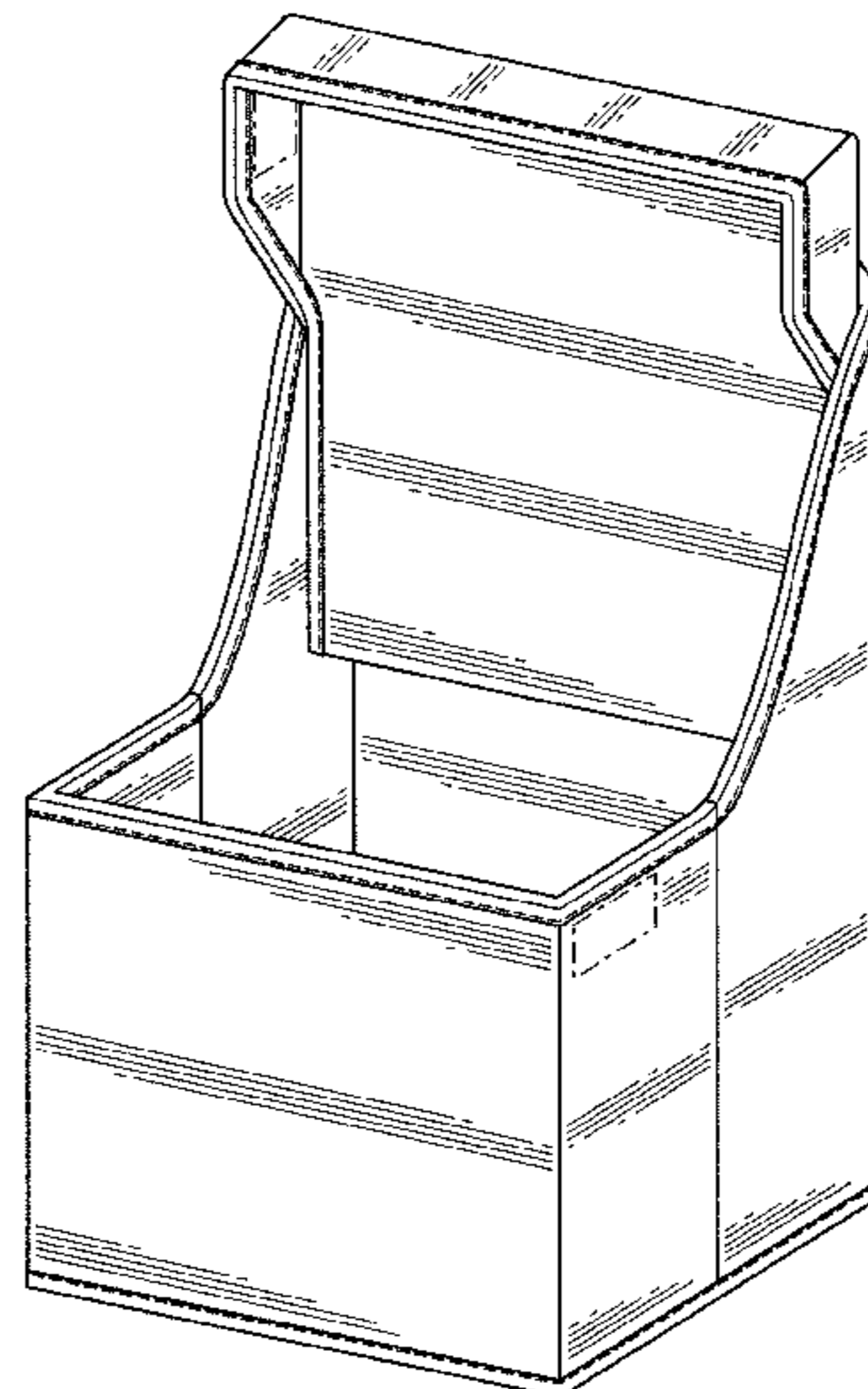
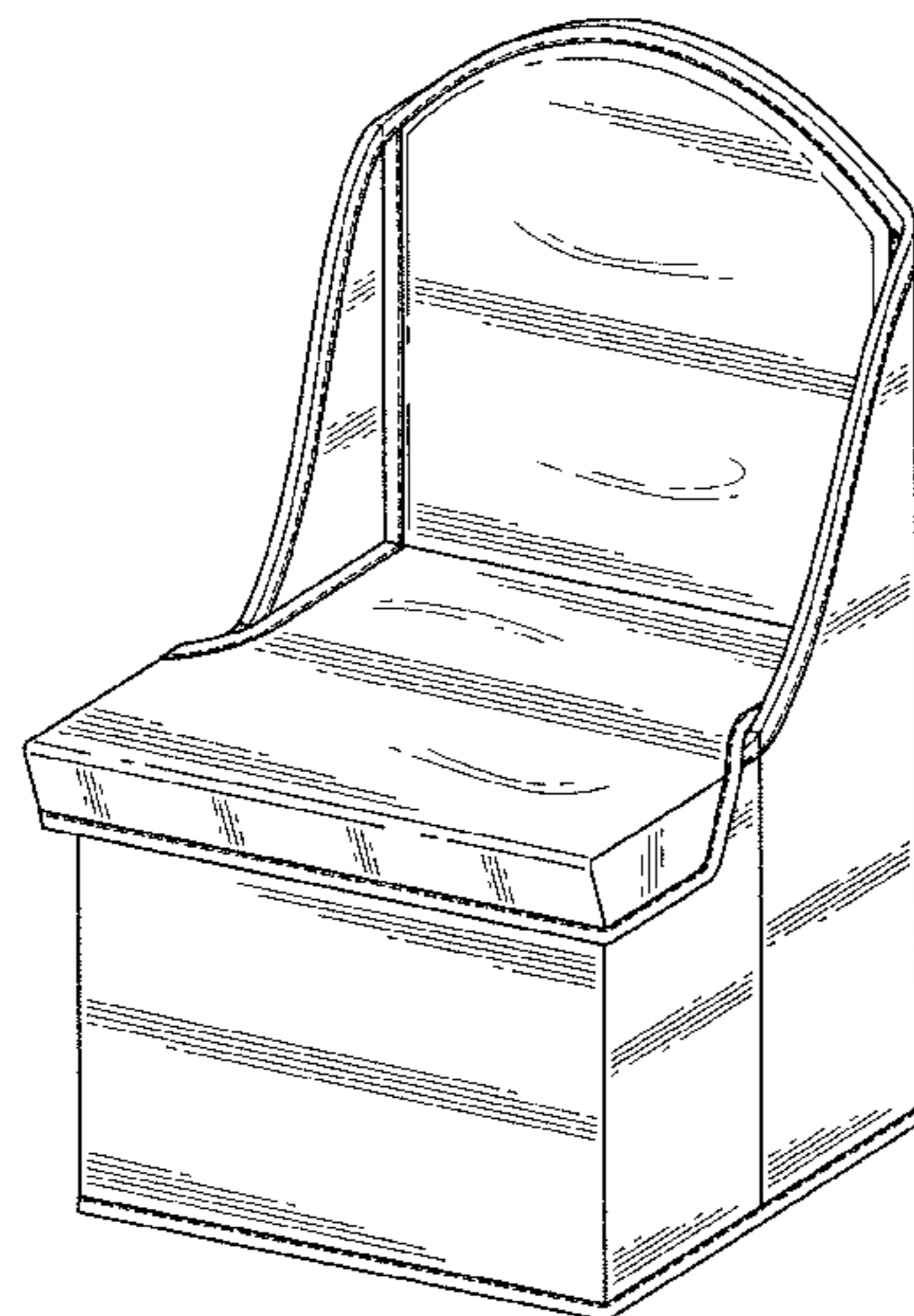
FIG. 6 is a bottom plan view of the collapsible storage chair of FIG. 1;

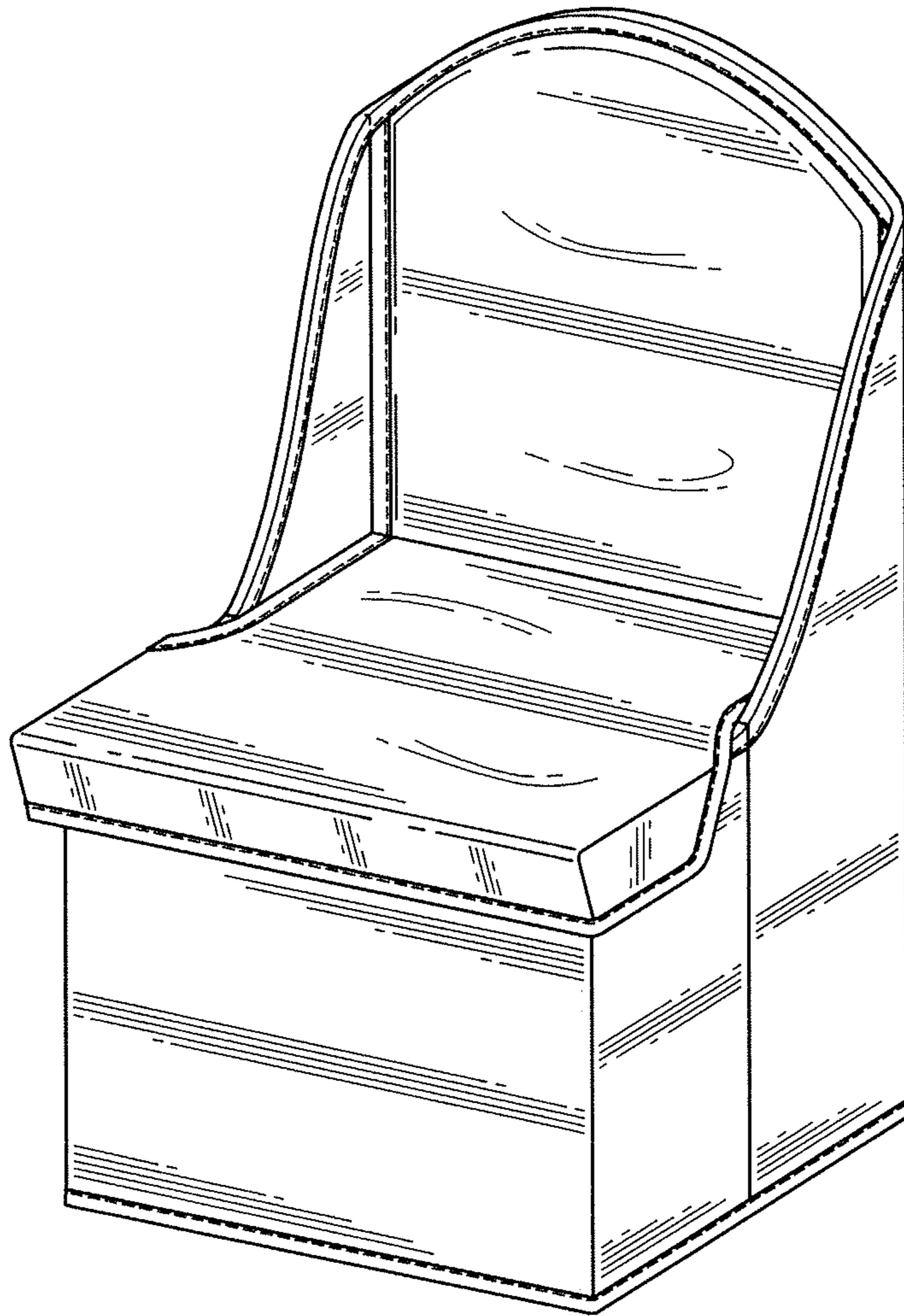
FIG. 7 is a front perspective view of the collapsible storage chair in an open configuration for allowing access to a storage compartment; and,

FIG. 8 is a front perspective view of the collapsible storage chair in a collapsed configuration.

The broken lines in the figures are for the purpose of showing environmental structure and form no part of the claimed design.

**1 Claim, 4 Drawing Sheets**





**FIG. 1**

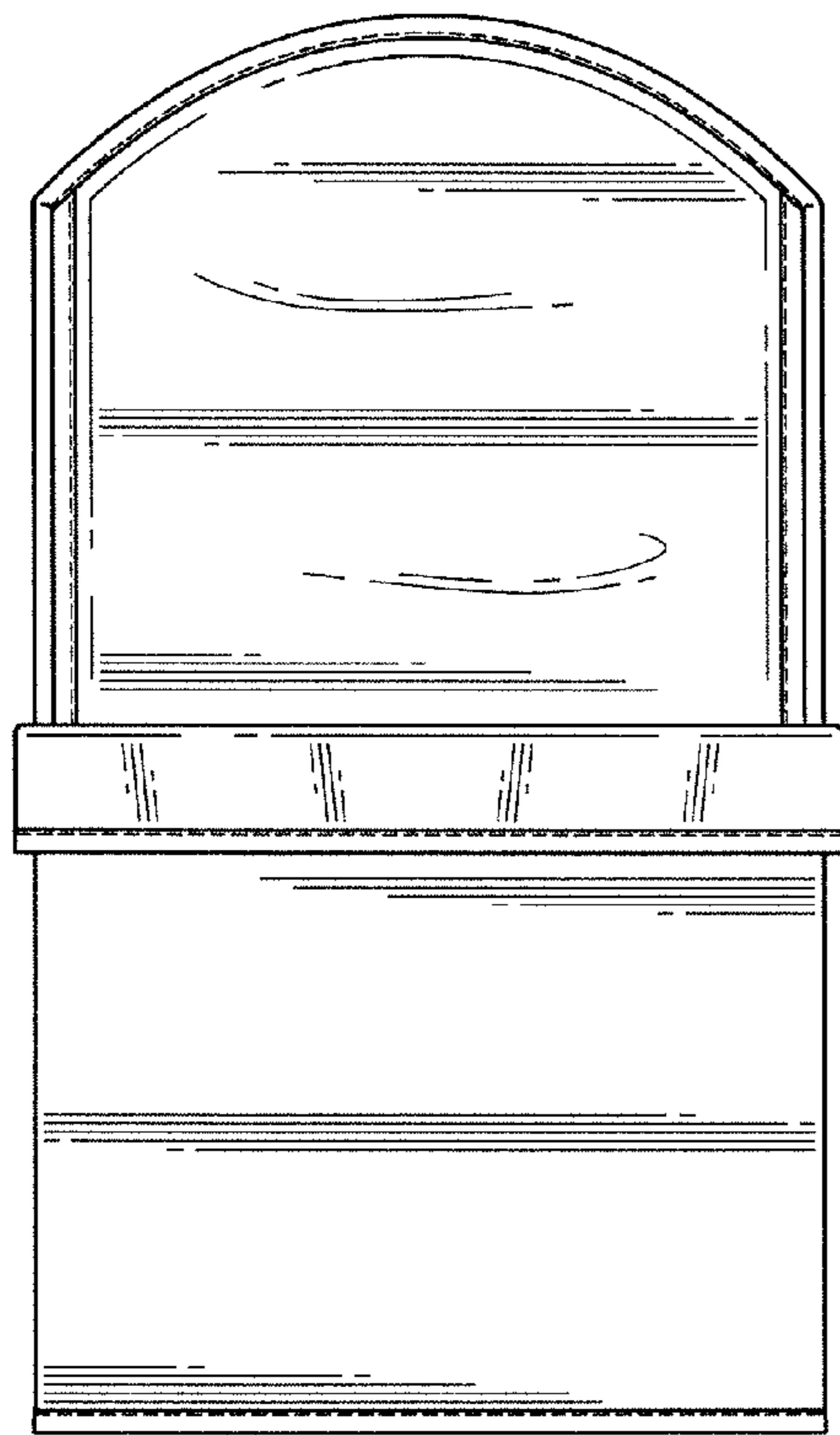


FIG. 2

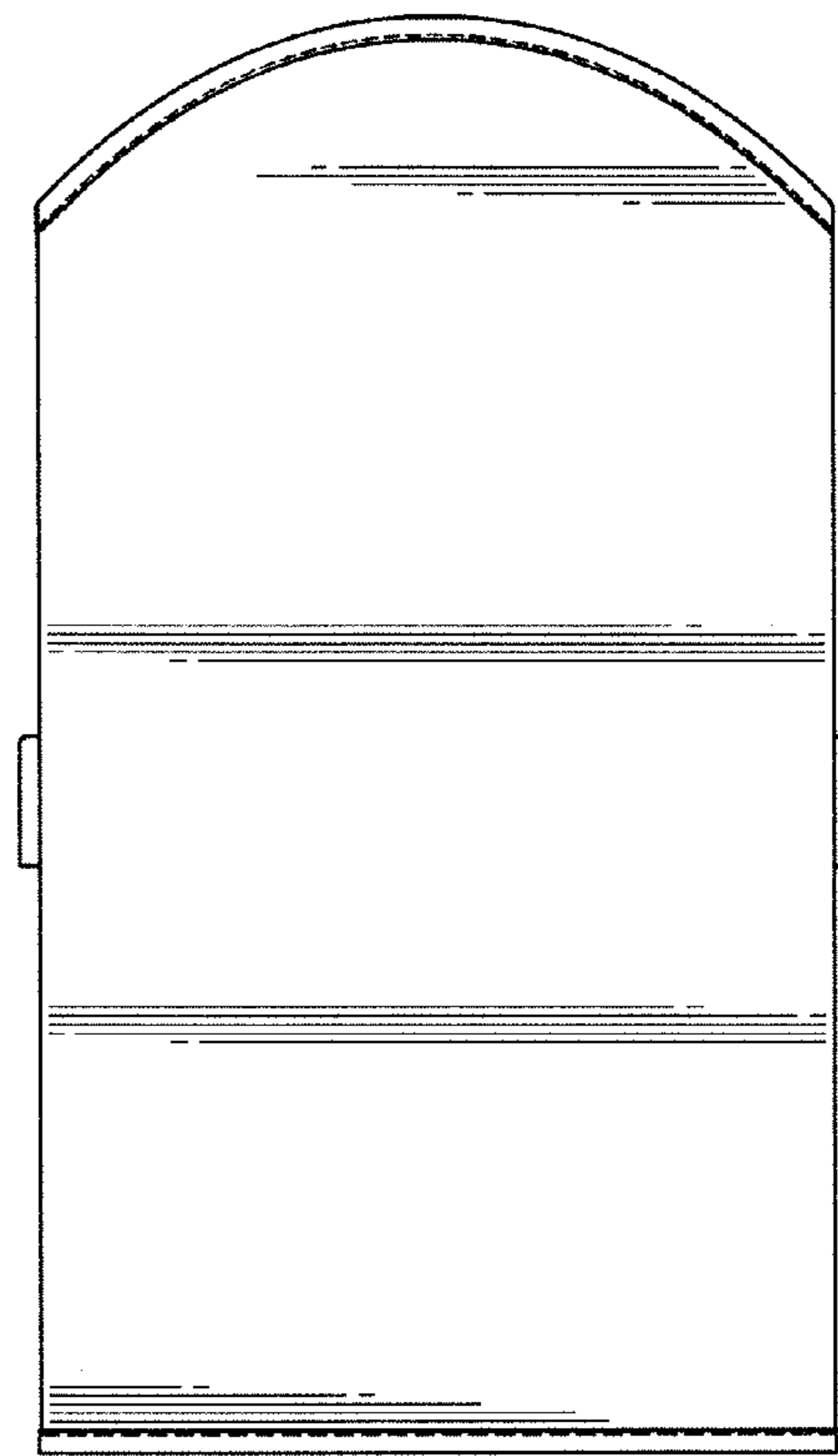


FIG. 3

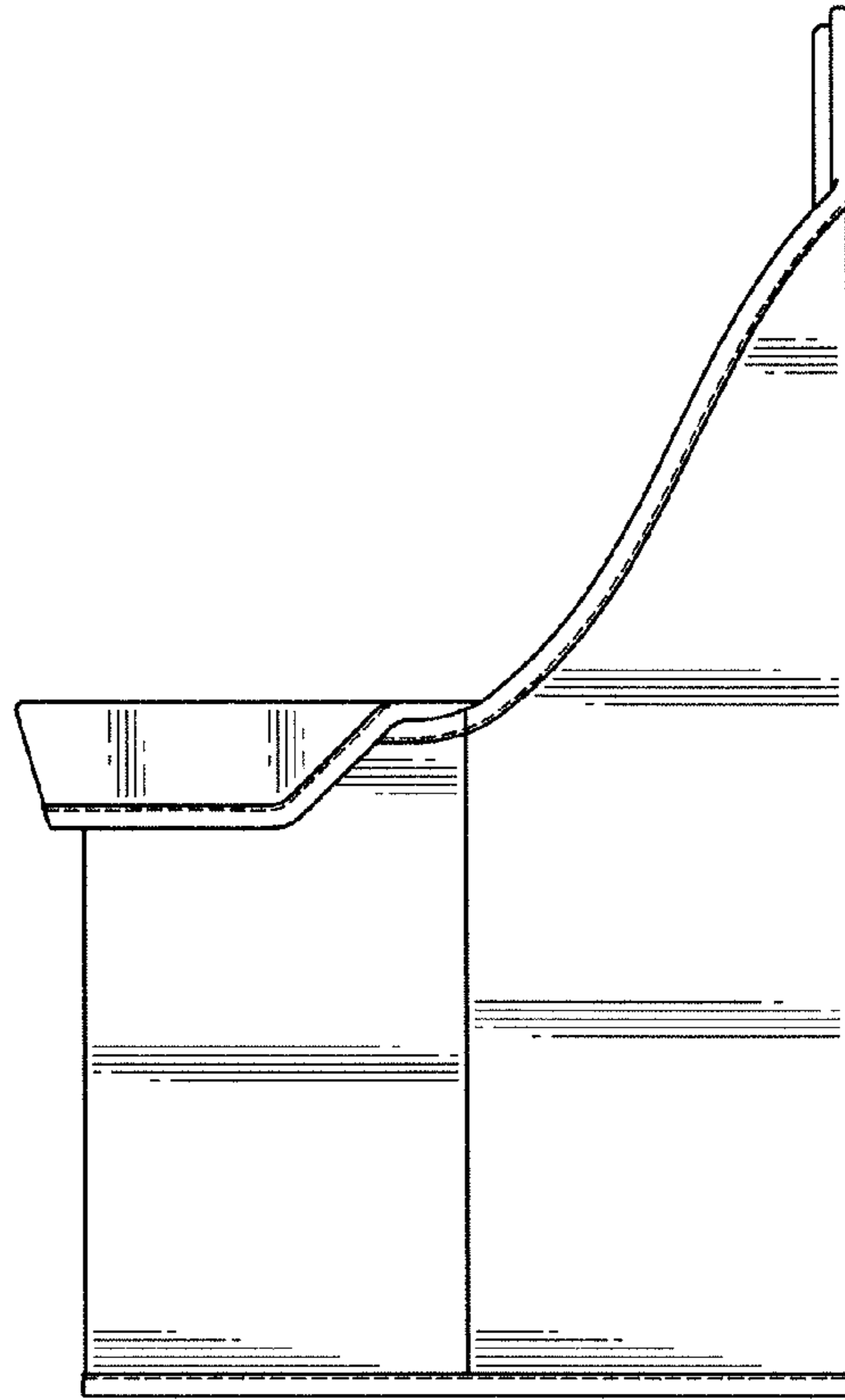


FIG. 4

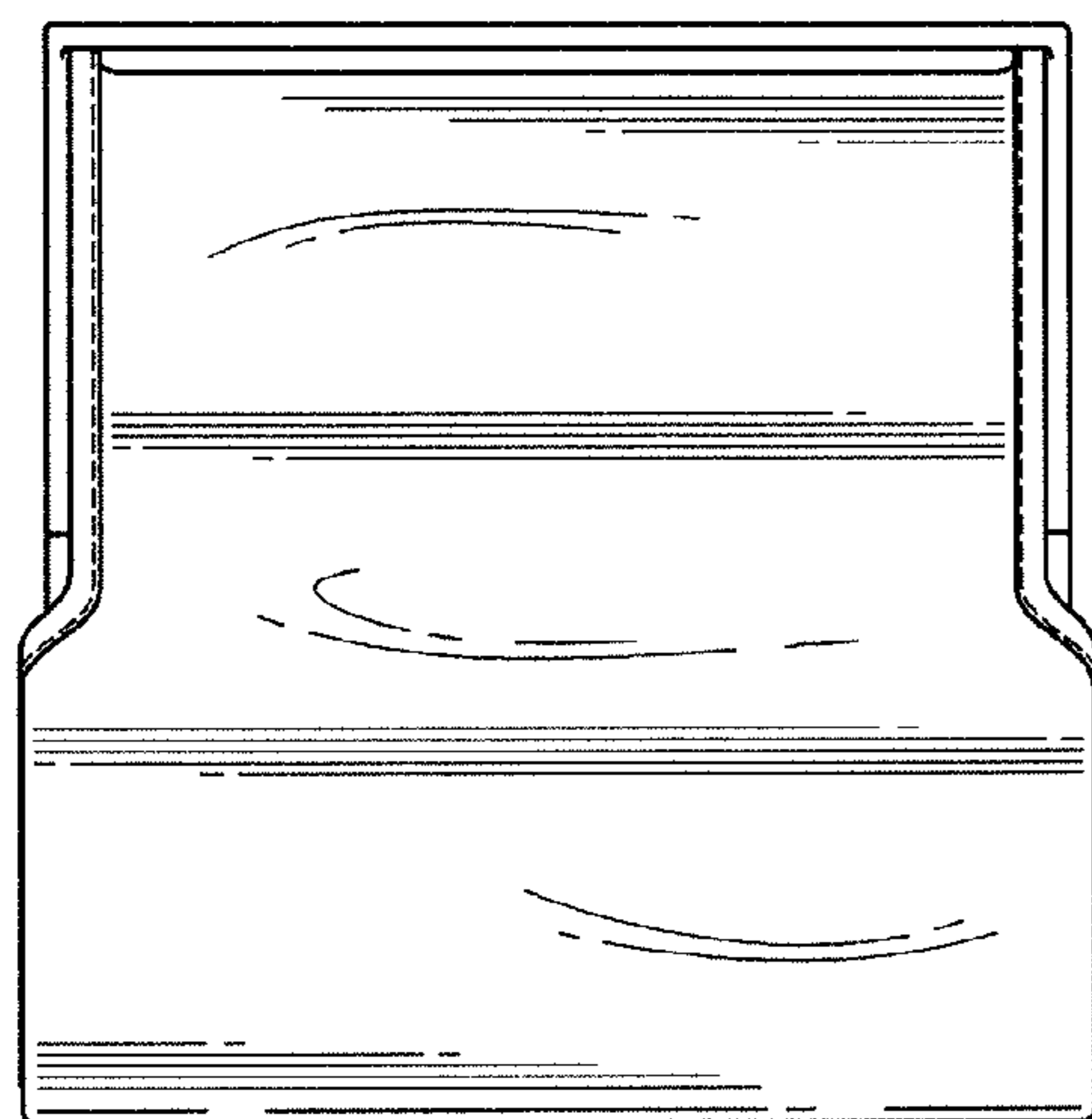


FIG. 5

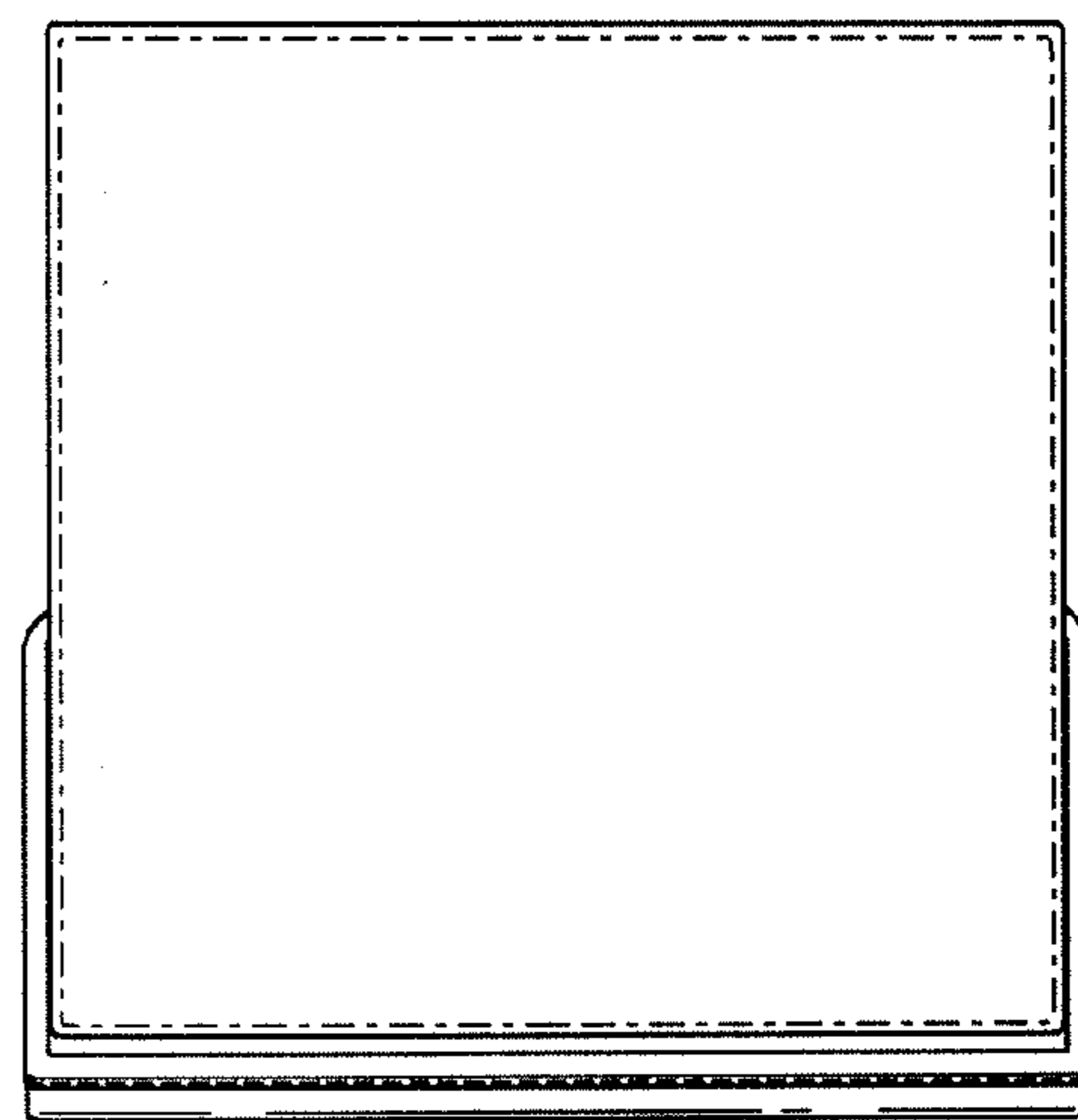
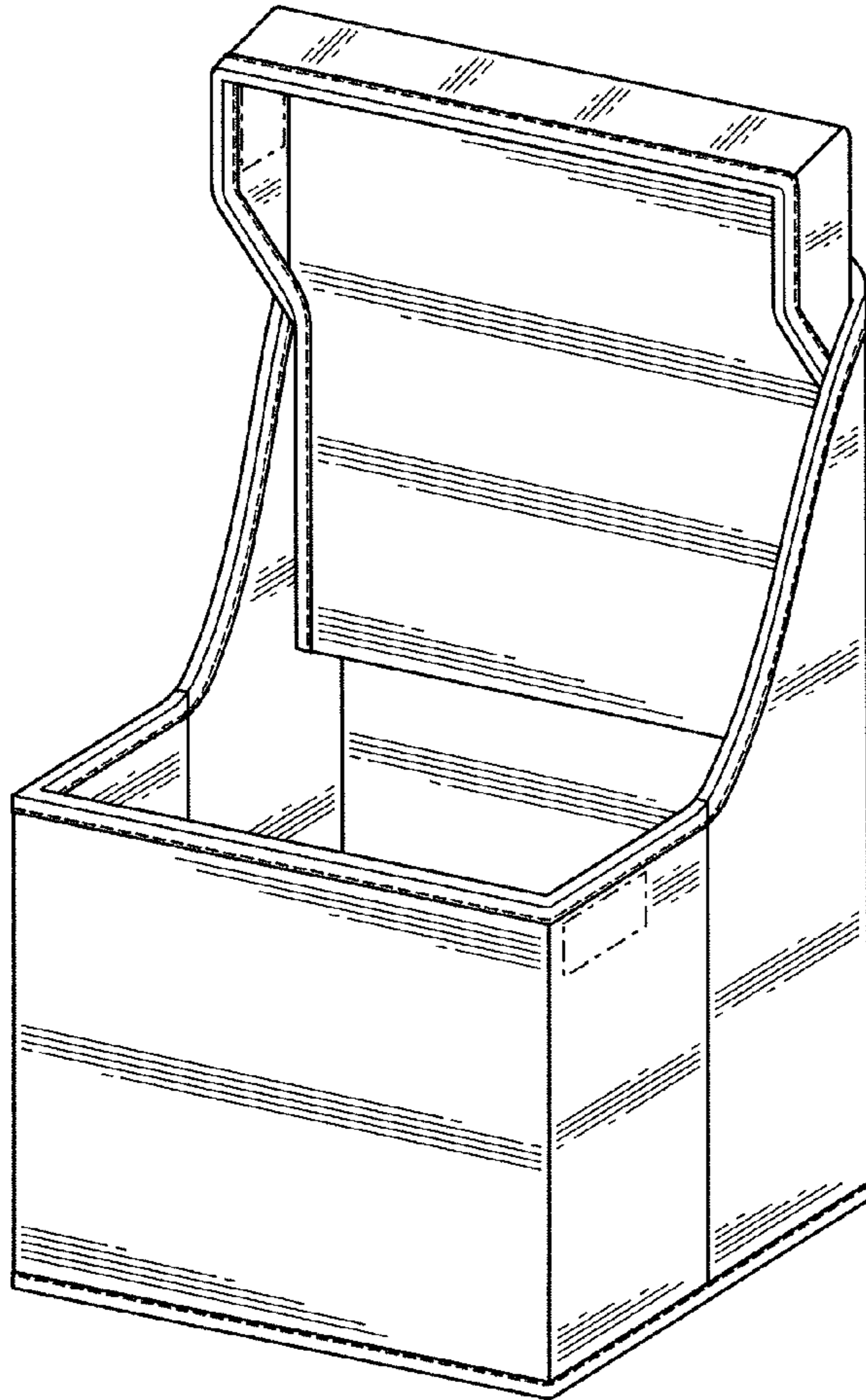
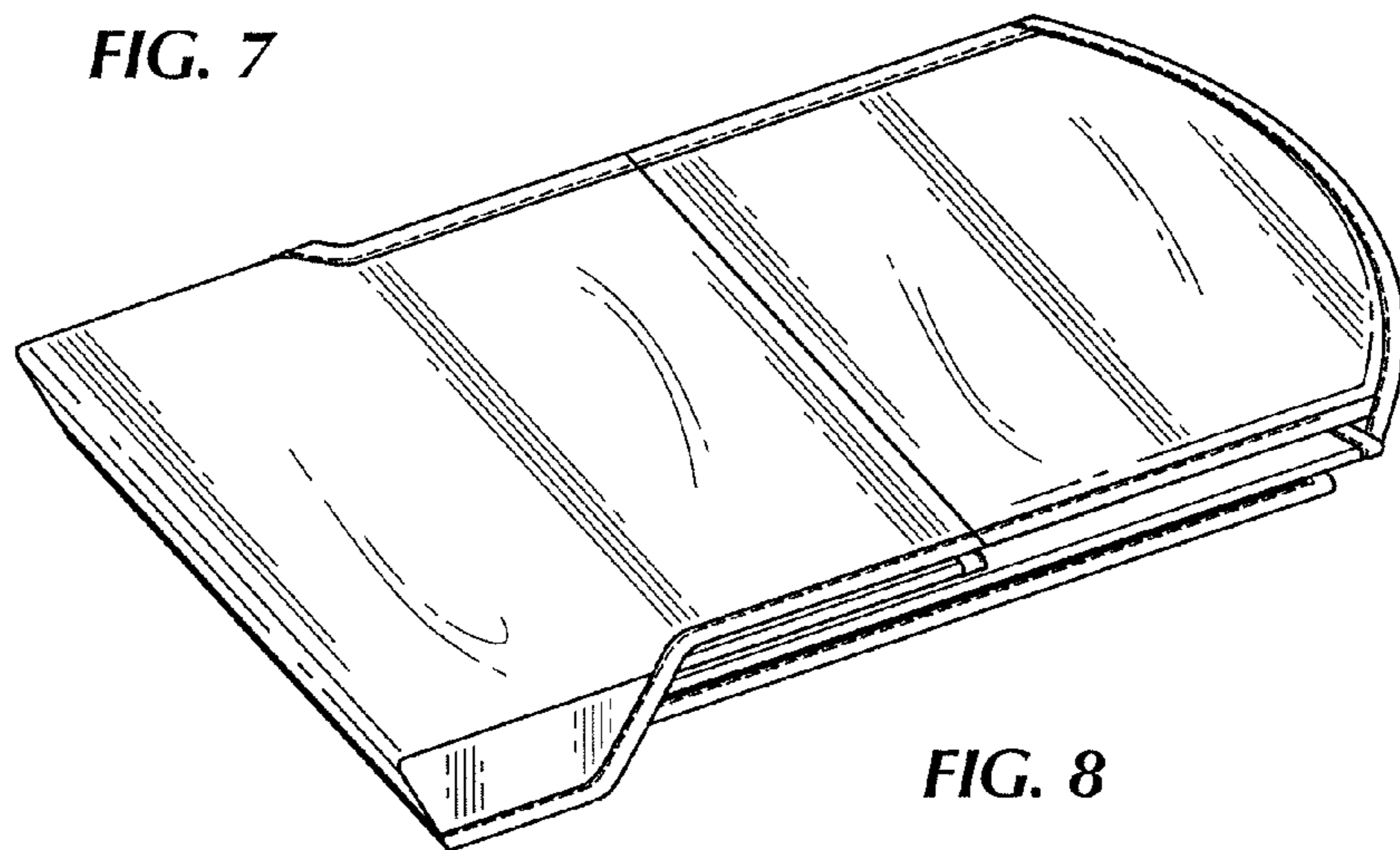


FIG. 6





**FIG. 7**



**FIG. 8**