



US00D754446S

(12) **United States Design Patent**  
**Yang et al.**

(10) **Patent No.:** **US D754,446 S**  
(45) **Date of Patent:** **\*\* \*Apr. 26, 2016**

(54) **VANITY MIRROR**

(71) Applicant: **simplehuman, LLC**, Torrance, CA (US)

(72) Inventors: **Frank Yang**, Rancho Palos Verdes, CA (US); **Tzu-Hao Wei**, Hacienda Heights, CA (US); **Daniel Ballou**, Long Beach, CA (US)

(73) Assignee: **simplehuman, LLC**, Torrance, CA (US)

(\* ) Notice: This patent is subject to a terminal disclaimer.

(\*\*) Term: **14 Years**

(21) Appl. No.: **29/526,304**

(22) Filed: **May 7, 2015**

**Related U.S. Application Data**

(62) Division of application No. 29/464,995, filed on Aug. 22, 2013, now Pat. No. Des. 737,060.

(51) **LOC (10) Cl.** ..... **06-07**

(52) **U.S. Cl.**  
USPC ..... **D6/310; D6/309**

(58) **Field of Classification Search**  
USPC ..... D6/300-314; D10/122, 123, 126;  
D24/139; D20/10, 21, 29-32; D26/44,  
D26/56, 63; D8/352; 359/879, 871; 40/735,  
40/738, 597, 744, 745, 754, 765, 768, 769,  
40/790, 798; 248/466-467  
CPC ..... A45D 42/10; A45D 33/008; A45D 42/16;  
A47G 1/02; F21V 33/004

See application file for complete search history.

(56) **References Cited**

U.S. PATENT DOCUMENTS

D44,537 S 8/1913 McIsaac  
2,004,166 A 6/1935 Low

(Continued)

FOREIGN PATENT DOCUMENTS

AU 356220 7/2014  
AU 358072 10/2014

(Continued)

OTHER PUBLICATIONS

Simple Human Vanity Mirror, available Dec. 19, 2013, [online], [site visited Dec. 2, 2014]. Available from internet, <URL: <http://www.bedbathandbeyond.com/store/product/simplehuman-reg-5x-sensor-vanity-mirror/1041483503?categoryId=12028>>.\*

(Continued)

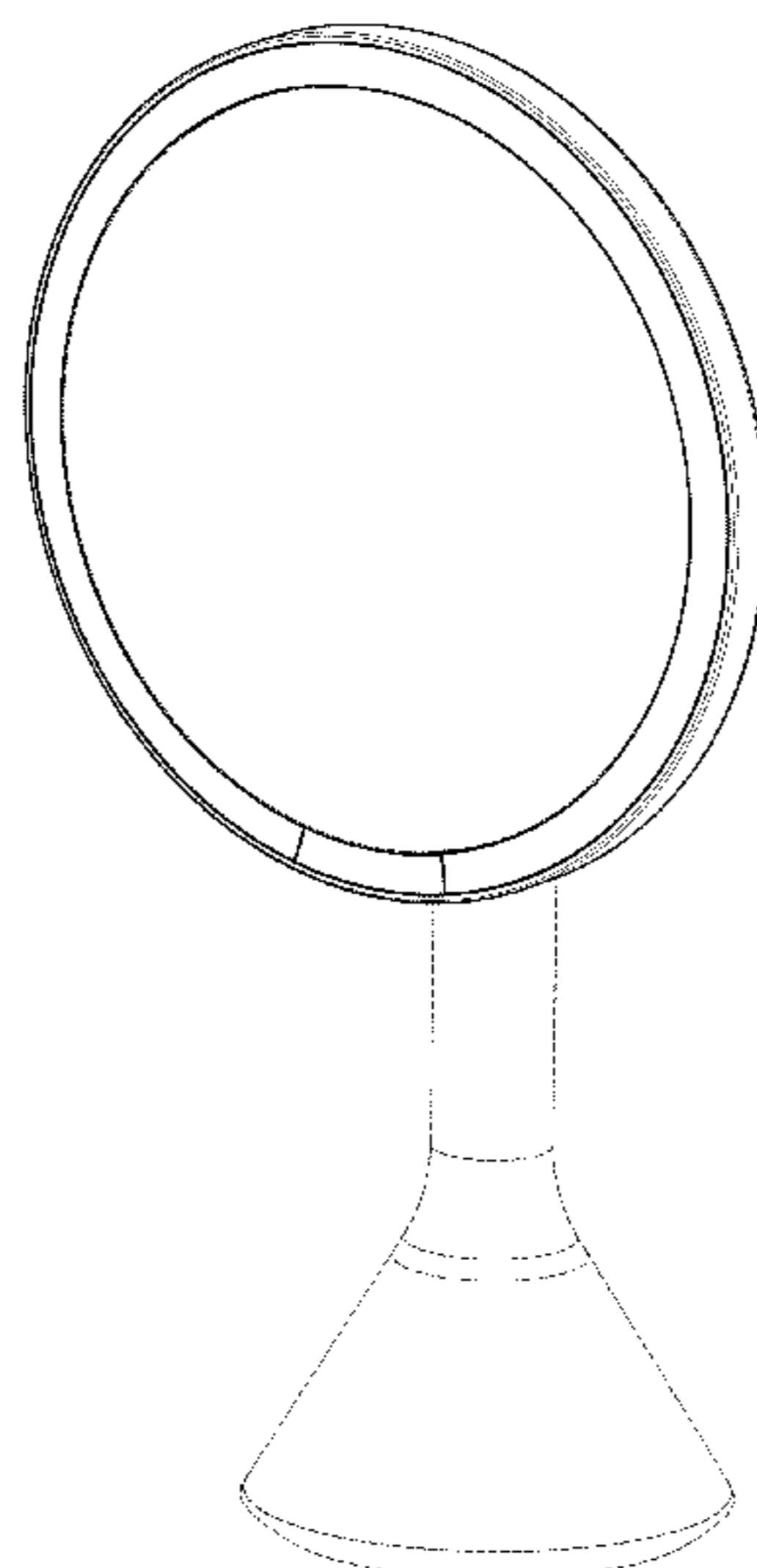
*Primary Examiner* — Cathron Brooks  
*Assistant Examiner* — Teddy Falloway  
(74) *Attorney, Agent, or Firm* — Knobbe Martens Olson & Bear LLP

(57) **CLAIM**  
The ornamental design for a vanity mirror, as shown and described herein.

**DESCRIPTION**

FIG. 1 is a top, front, left-side perspective view of a vanity mirror showing a first embodiment of our design; FIG. 2 is a front elevation view of the first embodiment; FIG. 3 is a rear elevation view of the first embodiment; FIG. 4 is a left-side elevation view of the first embodiment; FIG. 5 is a right-side elevation view of the first embodiment; FIG. 6 is a top plan view of the first embodiment; and, FIG. 7 is a bottom plan view of the first embodiment. All features in phantom line are for the purpose of illustrating environmental structure and form no part of the claimed subject matter.

**1 Claim, 6 Drawing Sheets**



(56)

## References Cited

## U.S. PATENT DOCUMENTS

D208,234 S 8/1967 Ely  
 3,732,702 A 5/1973 Desch  
 D254,208 S 2/1980 Breslow  
 D309,833 S 8/1990 Wahl  
 D317,531 S \* 6/1991 Evans ..... D6/309  
 D335,580 S \* 5/1993 Gaullier ..... D6/309  
 5,392,162 A 2/1995 Glucksman  
 D378,159 S \* 2/1997 Mulkey ..... D2/896  
 D379,125 S 5/1997 Simjian  
 D409,003 S 5/1999 Scavini  
 5,984,485 A 11/1999 Poli et al.  
 D425,313 S 5/2000 Zadro  
 D426,182 S 6/2000 Brown  
 D431,375 S 10/2000 Zadro  
 6,158,877 A 12/2000 Zadro  
 6,241,357 B1 6/2001 Lee  
 6,270,240 B1 8/2001 Inoue  
 6,273,585 B1 8/2001 Wu  
 6,305,809 B1 10/2001 Zadro  
 D459,094 S \* 6/2002 Stone et al. .... D6/309  
 D474,432 S 5/2003 Good  
 6,604,836 B2 8/2003 Carlucci et al.  
 D488,626 S \* 4/2004 Kruger ..... D6/309  
 D492,230 S \* 6/2004 Berger ..... D12/187  
 6,830,154 B2 \* 12/2004 Zadro ..... 206/581  
 6,848,822 B2 2/2005 Ballen et al.  
 D505,555 S \* 5/2005 Snell ..... D6/309  
 6,886,351 B2 5/2005 Palfy et al.  
 D508,883 S 8/2005 Falconer  
 D509,369 S 9/2005 Snell  
 D511,413 S 11/2005 Yue  
 7,004,599 B2 2/2006 Mullani  
 7,048,406 B1 5/2006 Shih  
 7,090,378 B1 8/2006 Zadro  
 D532,981 S 12/2006 Zadro  
 7,233,154 B2 6/2007 Groover et al.  
 D546,567 S \* 7/2007 Bhavnani ..... D6/309  
 D558,987 S \* 1/2008 Gildersleeve ..... D6/306  
 7,341,356 B1 \* 3/2008 Zadro ..... 359/840  
 D568,081 S \* 5/2008 Thompson et al. .... D6/568  
 D569,671 S 5/2008 Thompson et al.  
 7,393,115 B2 7/2008 Tokushita et al.  
 D574,159 S 8/2008 Howard  
 7,513,476 B1 4/2009 Huang  
 D635,009 S 3/2011 Paterson  
 D639,077 S 6/2011 DeBretton Gordon  
 D647,444 S 10/2011 Manukyan et al.  
 D649,790 S 12/2011 Pitot  
 D652,220 S 1/2012 Pitot  
 D656,979 S 4/2012 Yip et al.  
 D657,425 S 4/2012 Podd  
 D657,576 S 4/2012 Pitot  
 8,162,502 B1 4/2012 Zadro  
 D658,604 S 5/2012 Egawa et al.  
 D660,367 S 5/2012 Podd  
 D660,368 S 5/2012 Podd  
 D660,369 S 5/2012 Podd  
 8,194,133 B2 6/2012 DeWind et al.  
 D665,030 S 8/2012 Podd  
 D666,010 S 8/2012 Farley  
 D670,087 S \* 11/2012 Walker ..... D6/309  
 8,356,908 B1 1/2013 Zadro  
 8,382,189 B2 2/2013 Li et al.  
 D679,101 S \* 4/2013 Pitot ..... D6/309  
 D679,102 S 4/2013 Gilboe et al.  
 D680,755 S \* 4/2013 Gilboe et al. .... D6/309  
 D688,883 S \* 9/2013 Gilboe et al. .... D6/309  
 D689,701 S 9/2013 Mischel, Jr. et al.  
 8,585,273 B2 11/2013 Pokrovskiy et al.  
 D699,448 S 2/2014 Yang et al.  
 D699,952 S 2/2014 Yang et al.  
 D701,050 S 3/2014 Yang et al.  
 D701,507 S \* 3/2014 Cope ..... D14/374  
 D711,871 S 8/2014 Daniel  
 D711,874 S 8/2014 Cope

D712,963 S 9/2014 Fleet  
 D729,527 S \* 5/2015 Tsai ..... D6/310  
 D736,001 S 8/2015 Yang et al.  
 D737,060 S 8/2015 Yang et al.  
 2002/0196333 A1 12/2002 Gorischek  
 2003/0030063 A1 2/2003 Sosniak et al.  
 2003/0031010 A1 2/2003 Sosniak et al.  
 2004/0020509 A1 2/2004 Waisman  
 2005/0243556 A1 11/2005 Lynch  
 2006/0186314 A1 8/2006 Leung  
 2008/0130305 A1 6/2008 Wang et al.  
 2008/0258110 A1 10/2008 Oshio  
 2008/0298080 A1 12/2008 Wu et al.  
 2009/0027902 A1 1/2009 Fielding et al.  
 2009/0207339 A1 8/2009 Ajichi et al.  
 2009/0301927 A1 12/2009 Fvlbrook et al.  
 2010/0118520 A1 5/2010 Stern et al.  
 2010/0296298 A1 11/2010 Martin, Jr.  
 2011/0058269 A1 3/2011 Su  
 2011/0211079 A1 9/2011 Rolston  
 2013/0026512 A1 1/2013 Tsai  
 2013/0077292 A1 3/2013 Zimmerman  
 2013/0190845 A1 7/2013 Liu et al.  
 2013/0235607 A1 9/2013 Yang et al.  
 2013/0235610 A1 9/2013 Yang et al.  
 2015/0060431 A1 3/2015 Yang et al.

## FOREIGN PATENT DOCUMENTS

CA 147356 4/2013  
 CA 152609 5/2014  
 CN 302432849 5/2013  
 CN 302770592 S 3/2014  
 CN 302984538 S 10/2014  
 CN 303091369 S 1/2015  
 DE 20014279 U1 2/2001  
 DE 102004042929 A1 3/2006  
 DE 202009004795 U1 9/2009  
 DE 202010000170 U1 7/2010  
 EP 1792553 A2 6/2007  
 EP 2636336 A1 9/2013  
 EP 001403620-0001 5/2014  
 EP 001403620-0002 5/2014  
 EP 001403620-0003 5/2014  
 EP 001403620-0004 5/2014  
 EP 001417034-0001 7/2014  
 EP 001420517-0001 9/2014  
 EP 2845522 A1 3/2015  
 JP 2008-073174 A 4/2008

## OTHER PUBLICATIONS

Simple Human Sensor Mirror, available Jan. 27, 2013, [online], [site visited Dec. 2, 2014]. Available from internet, <URL: <http://www.tuvie.com/stainless-steel-sensor-mirror-by-simplehuman/>>.\*  
 Brookstone Shower Mirror, available Jan. 15, 2013, [online], [site visited Aug. 3, 2015]. Available from internet, <URL: [http://www.brookstone.com/9-Lighted-Fogless-Shower-Mirror?bkiid=SubCategory\\_Bath\\_Spa\\_Mirrors\\_Lighting\\_Makeup\\_Mirrors%7CSubCategoryWidget%7C608364p&catId.\\*](http://www.brookstone.com/9-Lighted-Fogless-Shower-Mirror?bkiid=SubCategory_Bath_Spa_Mirrors_Lighting_Makeup_Mirrors%7CSubCategoryWidget%7C608364p&catId.*)>  
 Zadro Z'fogless Mirror with Light, available Nov. 27, 2006, [online], [site visited Aug. 10, 2015]. Available from internet, <URL: [http://www.amazon.com/Zadro-1X-ZFogless-Adjustable-Magnification/dp/B000ARWLIW/ref=sr\\_1\\_16?s=beauty&ie=UTF8&qid=1439229012&sr=1-16&keywords=zadro+lighted+fogless+mirror.\\*](http://www.amazon.com/Zadro-1X-ZFogless-Adjustable-Magnification/dp/B000ARWLIW/ref=sr_1_16?s=beauty&ie=UTF8&qid=1439229012&sr=1-16&keywords=zadro+lighted+fogless+mirror.*)>  
 U.S. Appl. No. 29/464,995, filed Aug. 22, 2013, Yang et al.  
 U.S. Appl. No. 29/480,510, filed Jan. 27, 2014, Yang et al.  
 U.S. Appl. No. 29/484,906, filed Mar. 13, 2014, Yang et al.  
 U.S. Appl. No. 29/519,719, filed Mar. 6, 2015, Yang et al.  
 Simple Human Vanity Mirror, available from internet at <http://www.bedbathandbeyond.com/store/products/simplehuman-reg-5x-sensor-vanity-mirror/1041483503?categoryId=12028>, apparently available Dec. 19, 2013, site visited Dec. 2, 2014.  
 Simple Human Sensor Mirror, Internet Archive Wayback Machine webpage capture of <http://www.tuvie.com/stainless-steel-sensor-mirror-by-simplehuman/>, apparently available Jan. 27, 2013, site visited Dec. 2, 2014.



(56)

**References Cited**

## OTHER PUBLICATIONS

Simplehuman Mini Sensor Mirror, available from internet at [http://www.amazon.com/gp/product/B00FZ3MFAA/ref=pd\\_lpo\\_sbs\\_dp\\_ss\\_2?pf\\_rd\\_p=1944579862&pf\\_rd\\_s=lpo-top-stripe-1&pf\\_rd\\_t=201&pf\\_rd\\_i=B00M8MC5H4&pf\\_rd\\_m=ATVPDKIKX0DER&pf\\_rd\\_r=0RHFJEABM9QKSWJJK99N#Ask](http://www.amazon.com/gp/product/B00FZ3MFAA/ref=pd_lpo_sbs_dp_ss_2?pf_rd_p=1944579862&pf_rd_s=lpo-top-stripe-1&pf_rd_t=201&pf_rd_i=B00M8MC5H4&pf_rd_m=ATVPDKIKX0DER&pf_rd_r=0RHFJEABM9QKSWJJK99N#Ask), apparently available Mar. 11, 2014, site visited Jan. 8, 2015.

Simplehuman Sensor Mirror, available from internet at <http://www.amazon.com/simplehuman-Sensor-Sensor-Activated-Lighted-Magnification/dp/B00M8MC5H4#customerReviews>, apparently available Dec. 31, 2014, site visited Jan. 8, 2015.

Simplehuman Wall Mount Mirror, available from internet at <http://www.amazon.com/simplehuman-Wall-Mount-Sensor-Mirror/dp/B00FN92ELG#customerReviews>, available at least as early as Jan. 31, 2013, site visited Jan. 8, 2015.

Brookstone Shower Mirror, available from internet at [http://www.brookstone.com/9-Lighted-Fogless-Shower-Mirror?bkiid=?SubCategory\\_Bath\\_Spa\\_Mirrors\\_Lighting\\_Makeup\\_Mirrors%7CSubCategoryWidget%7C608364p&catId=n/](http://www.brookstone.com/9-Lighted-Fogless-Shower-Mirror?bkiid=?SubCategory_Bath_Spa_Mirrors_Lighting_Makeup_Mirrors%7CSubCategoryWidget%7C608364p&catId=n/), apparently available Jan. 15, 2013, site visited Dec. 2, 2014.

Jerdon Wall Mounted Mirror, available from internet at [http://www.amazon.com/Jerdon-HL1016NL-9-5-Inch-Lighted-Magnification/dp/B00413G9K2/ref=sr\\_1\\_26?ie=UTF8&qid=1420579897&sr=8-26&keywords=wall+mounted+mirror#customerReviews](http://www.amazon.com/Jerdon-HL1016NL-9-5-Inch-Lighted-Magnification/dp/B00413G9K2/ref=sr_1_26?ie=UTF8&qid=1420579897&sr=8-26&keywords=wall+mounted+mirror#customerReviews), apparently available Feb. 21, 2009, site visited Jan. 8, 2015.

Jerdon Wall Mounted Mirror, available from internet at [http://www.amazon.com/Jerdon-JD7C-9-Inch-Lighted-Magnification/dp/B001DKVC08/ref=sr\\_1\\_54?ie=UTF8&qid=1420580127&sr=8-54&keywords=wall+mounted+mirror](http://www.amazon.com/Jerdon-JD7C-9-Inch-Lighted-Magnification/dp/B001DKVC08/ref=sr_1_54?ie=UTF8&qid=1420580127&sr=8-54&keywords=wall+mounted+mirror), apparently available Oct. 6, 2010, site visited Jan. 8, 2015.

\* cited by examiner

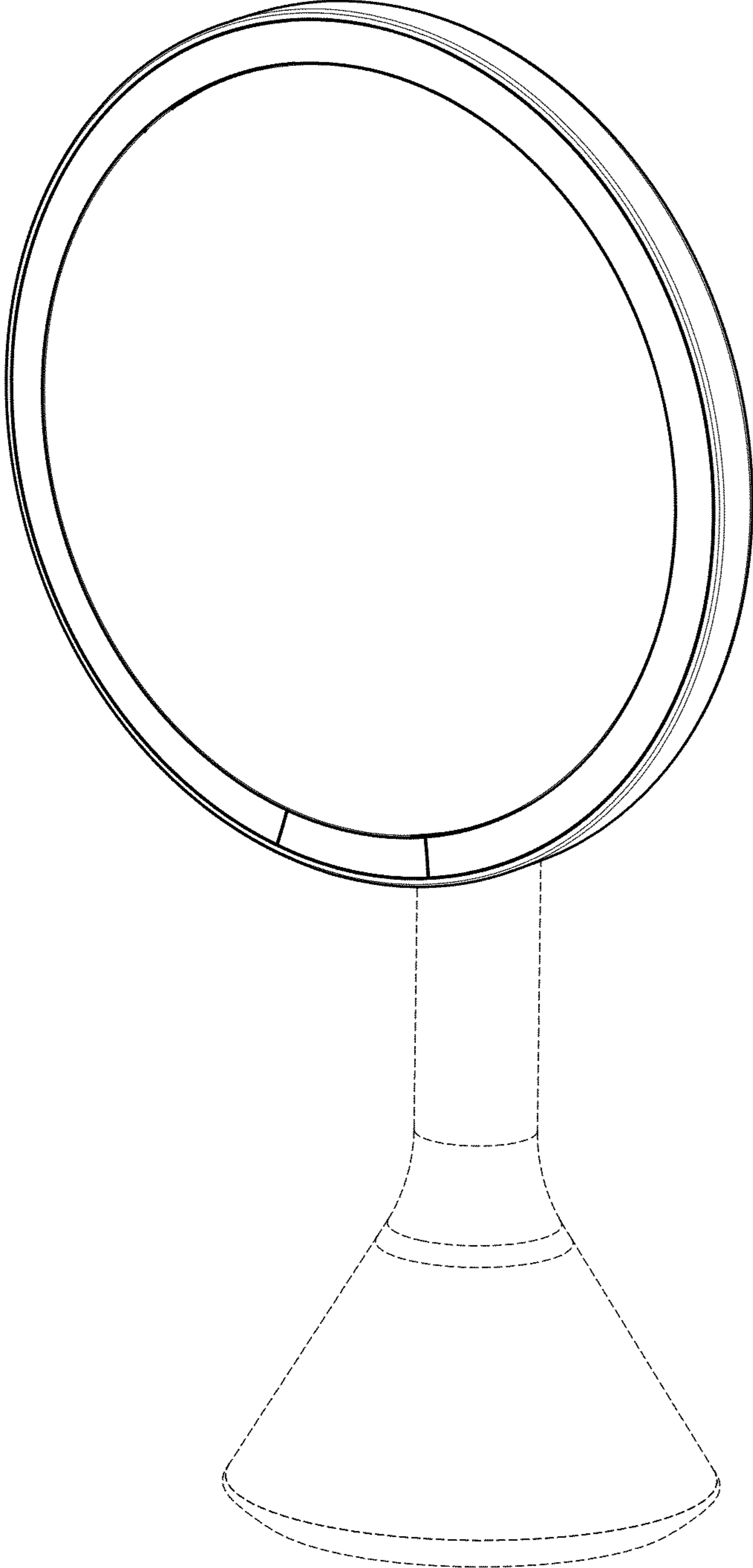


Fig. 1

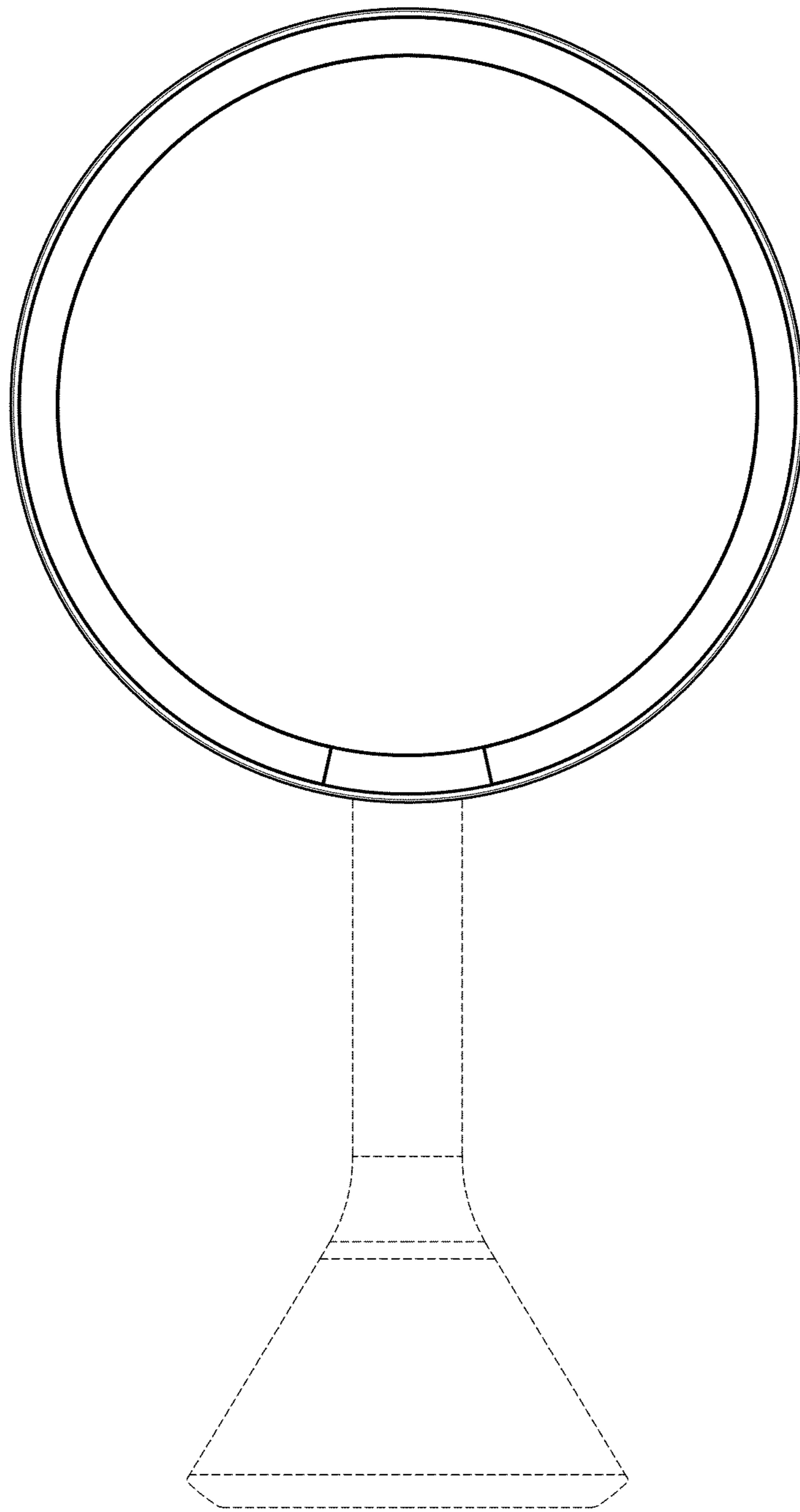
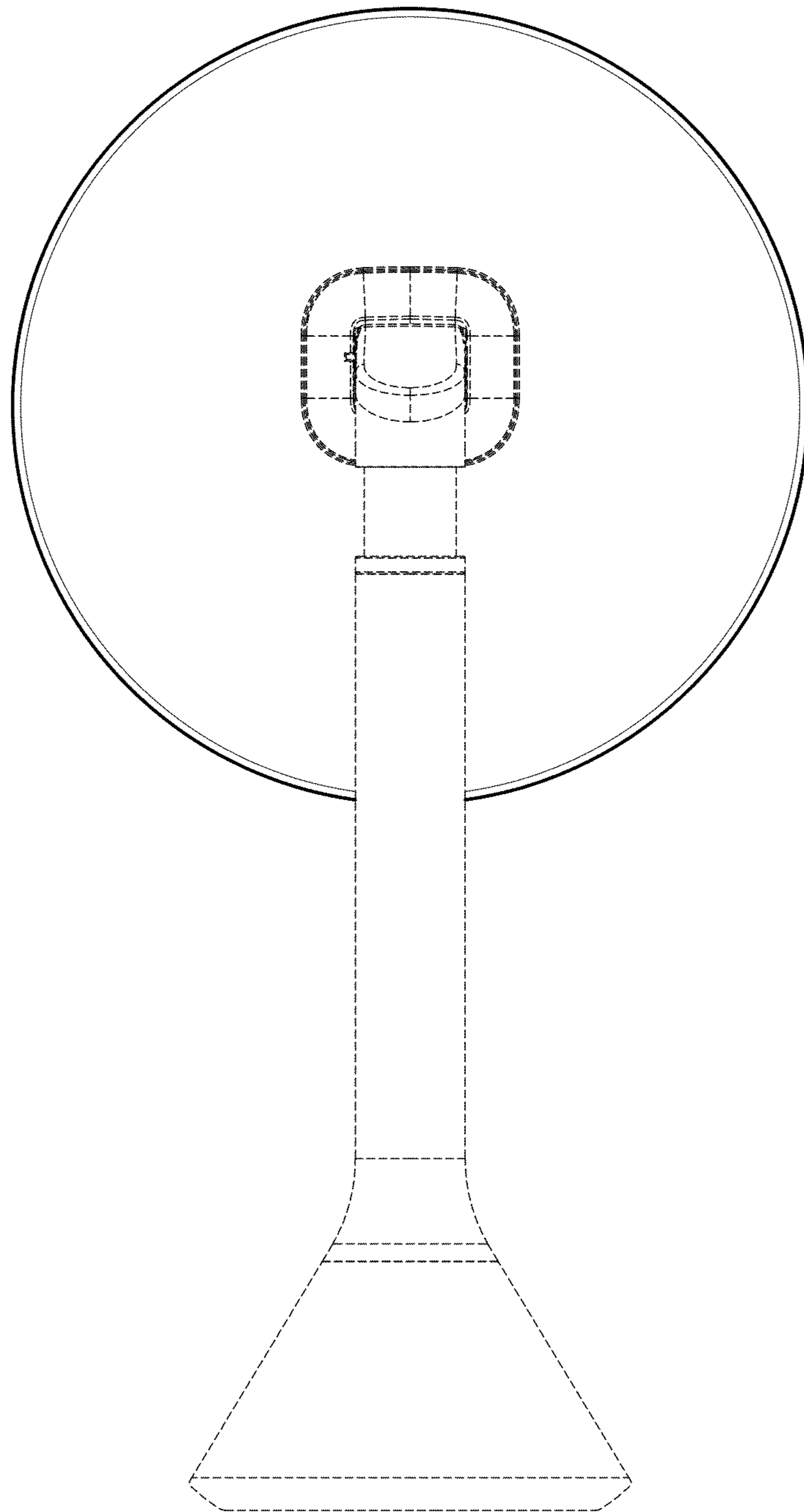


Fig. 2



*FIG. 3*

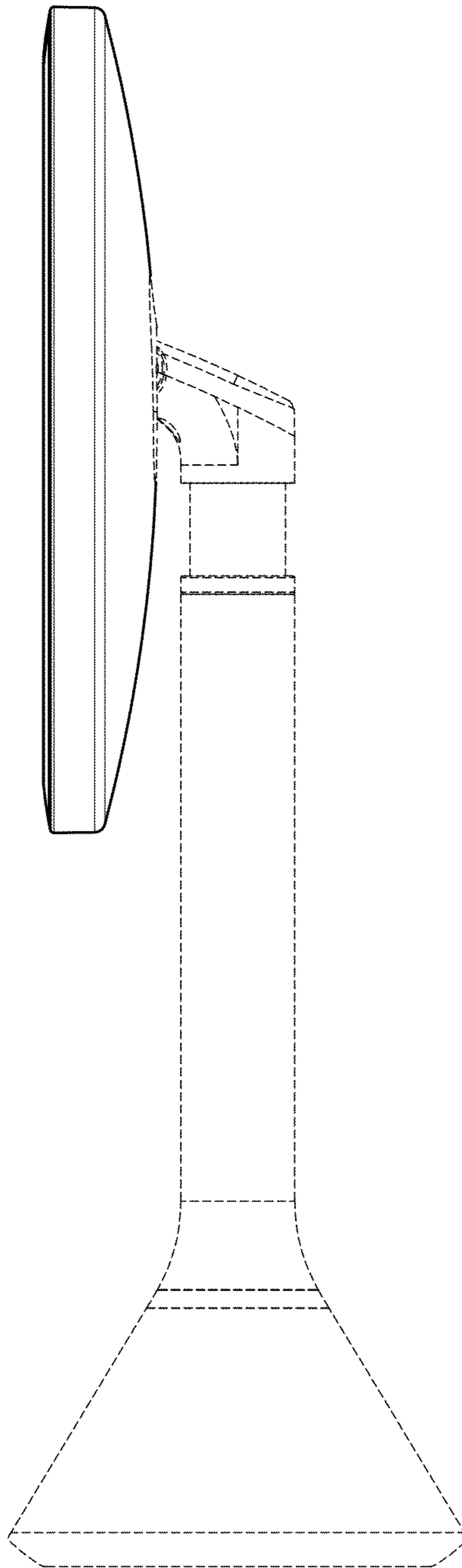


Fig. 4

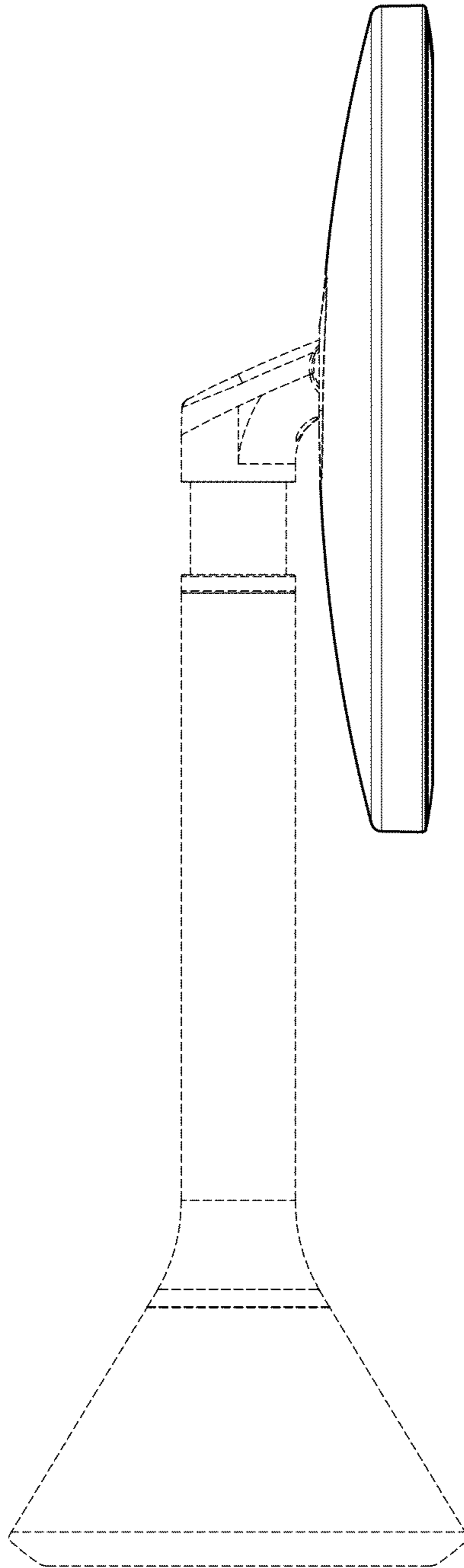


Fig. 5



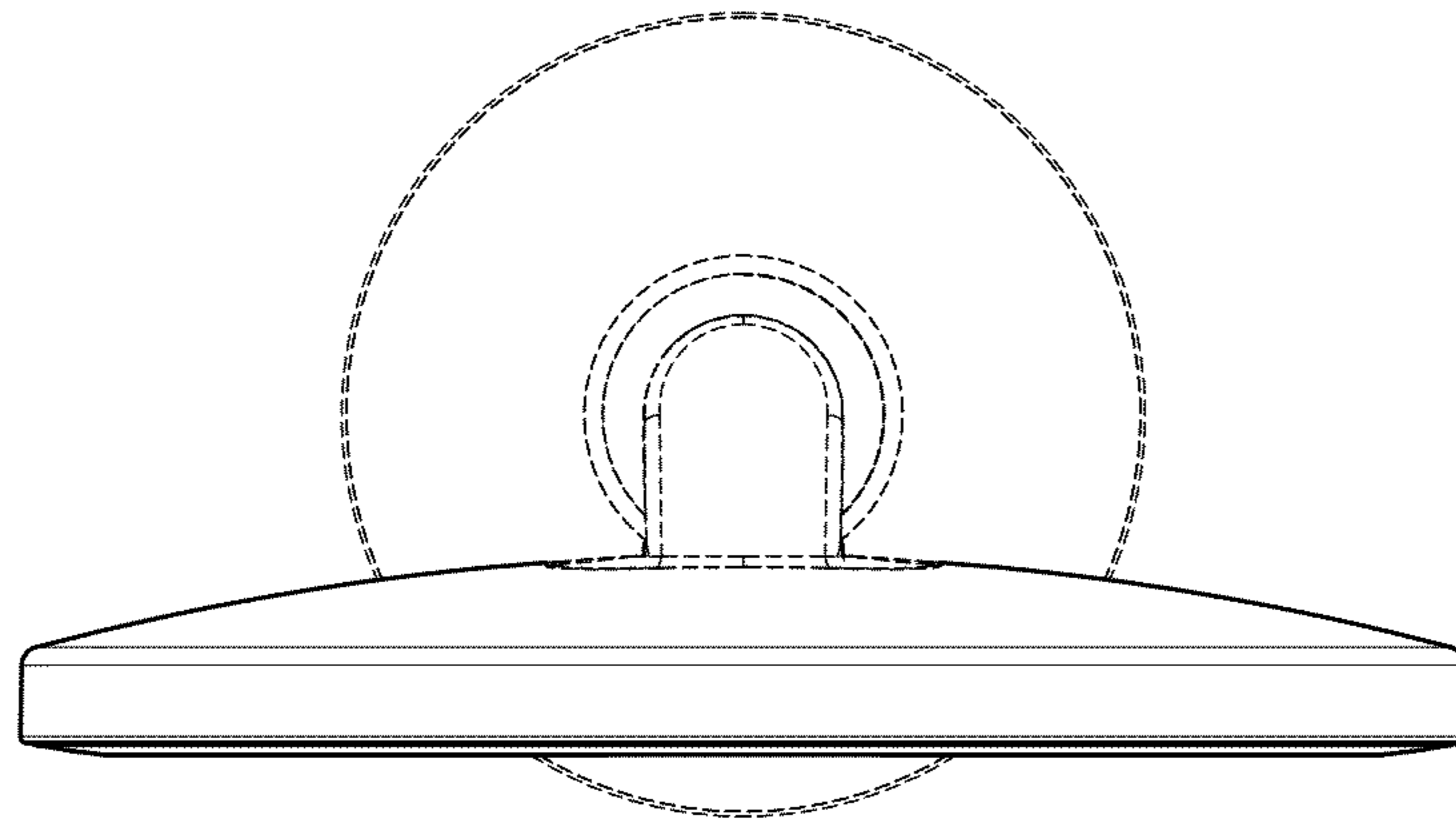


Fig. 6

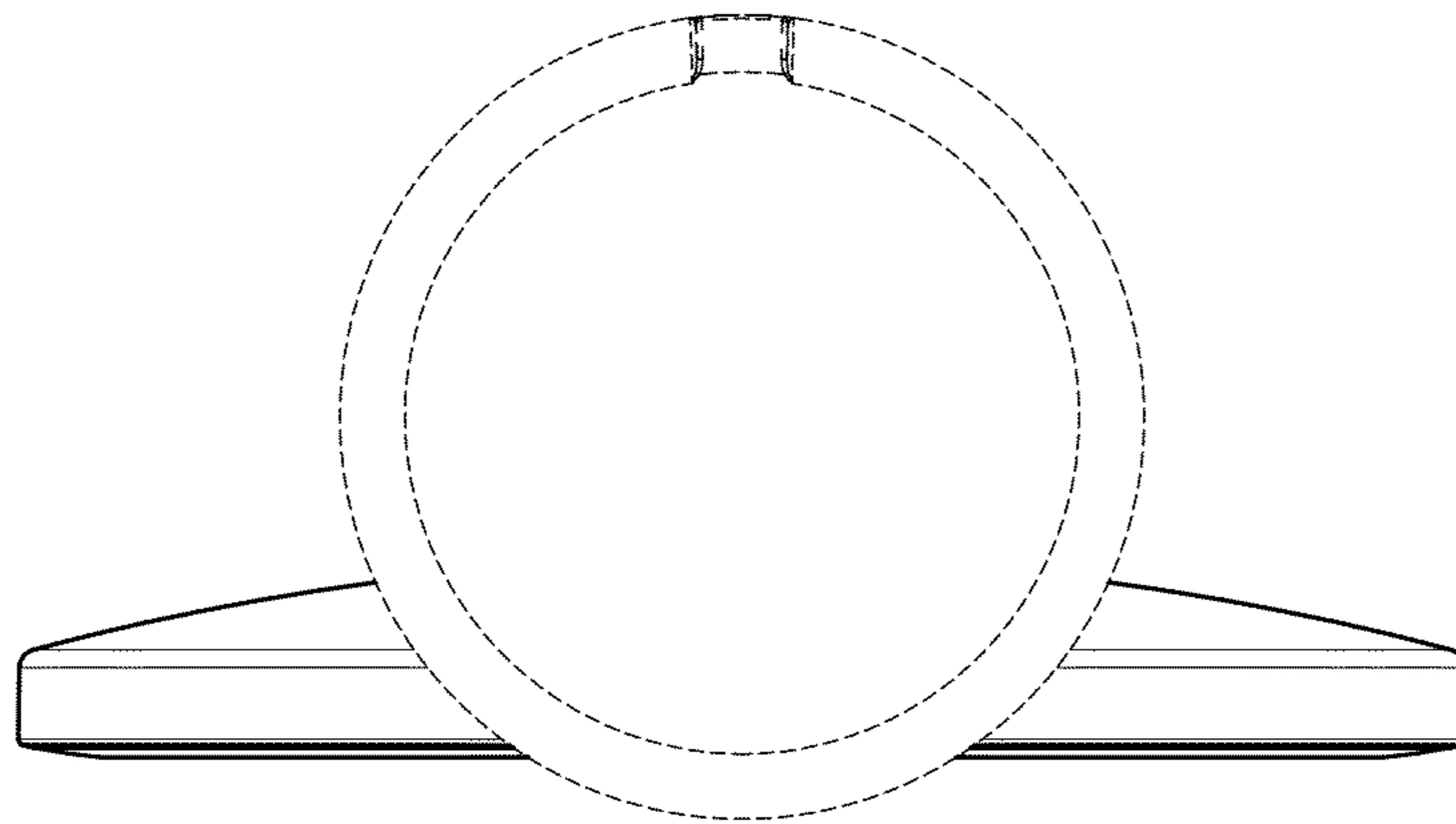


Fig. 7