



US00D754440S

(12) **United States Design Patent**  
**Ford**

(10) **Patent No.:** **US D754,440 S**  
(45) **Date of Patent:** **\*\* Apr. 26, 2016**

(54) **DUFFEL BAG**

D680,739 S 4/2013 Hock  
D681,329 S 5/2013 Hock  
D691,809 S \* 10/2013 Palevac ..... D3/327

(71) Applicant: **NIKE, Inc.**, Beaverton, OR (US)

(72) Inventor: **Timothy John Ford**, Portland, OR (US)

(73) Assignee: **NIKE, Inc.**, Beaverton, OR (US)

(\*\*) Term: **14 Years**

(21) Appl. No.: **29/514,884**

(22) Filed: **Jan. 16, 2015**

(51) **LOC (10) Cl.** ..... **03-01**

(52) **U.S. Cl.**  
USPC ..... **D3/318**

(58) **Field of Classification Search**  
USPC ..... D3/318, 327  
CPC ..... A45F 5/10; A45F 3/04; A45F 3/14;  
A63B 55/00

See application file for complete search history.

(56) **References Cited**

**U.S. PATENT DOCUMENTS**

D271,823 S	12/1983	Waites	
D292,746 S	11/1987	Allen	
D306,871 S *	3/1990	Bracy	A45F 3/14 224/259
4,978,044 A *	12/1990	Silver	A45F 3/02 150/108
D377,268 S	1/1997	George et al.	
5,752,733 A *	5/1998	Marshall	A45F 3/14 294/154
D462,513 S	9/2002	Holzhaus, II et al.	
D532,201 S *	11/2006	Esch	D3/327
D566,967 S *	4/2008	Hill	D3/327
D570,603 S *	6/2008	Wu	D3/327
D617,561 S *	6/2010	Salerno-Tortora	D3/318
D625,102 S	10/2010	Jacobs	
D638,625 S	5/2011	Goraieb	
D675,023 S *	1/2013	Colgan	D3/327

**OTHER PUBLICATIONS**

Nike Equipment Catalog, 2010 Spring Accessories and Equipment, p. 22, published May 2009, NIKE, Inc., USA.  
Nike Equipment Catalog, 2011 Holiday Equipment, p. 21, published Feb. 2011, NIKE, Inc., USA.  
Nike Equipment Catalog, 2011 Summer Equipment, p. 19, published date unknown, but prior to the filing date of the present application, NIKE, Inc., USA.

\* cited by examiner

*Primary Examiner* — Holly Baynham

(74) *Attorney, Agent, or Firm* — Banner & Witcoff, Ltd.

(57) **CLAIM**

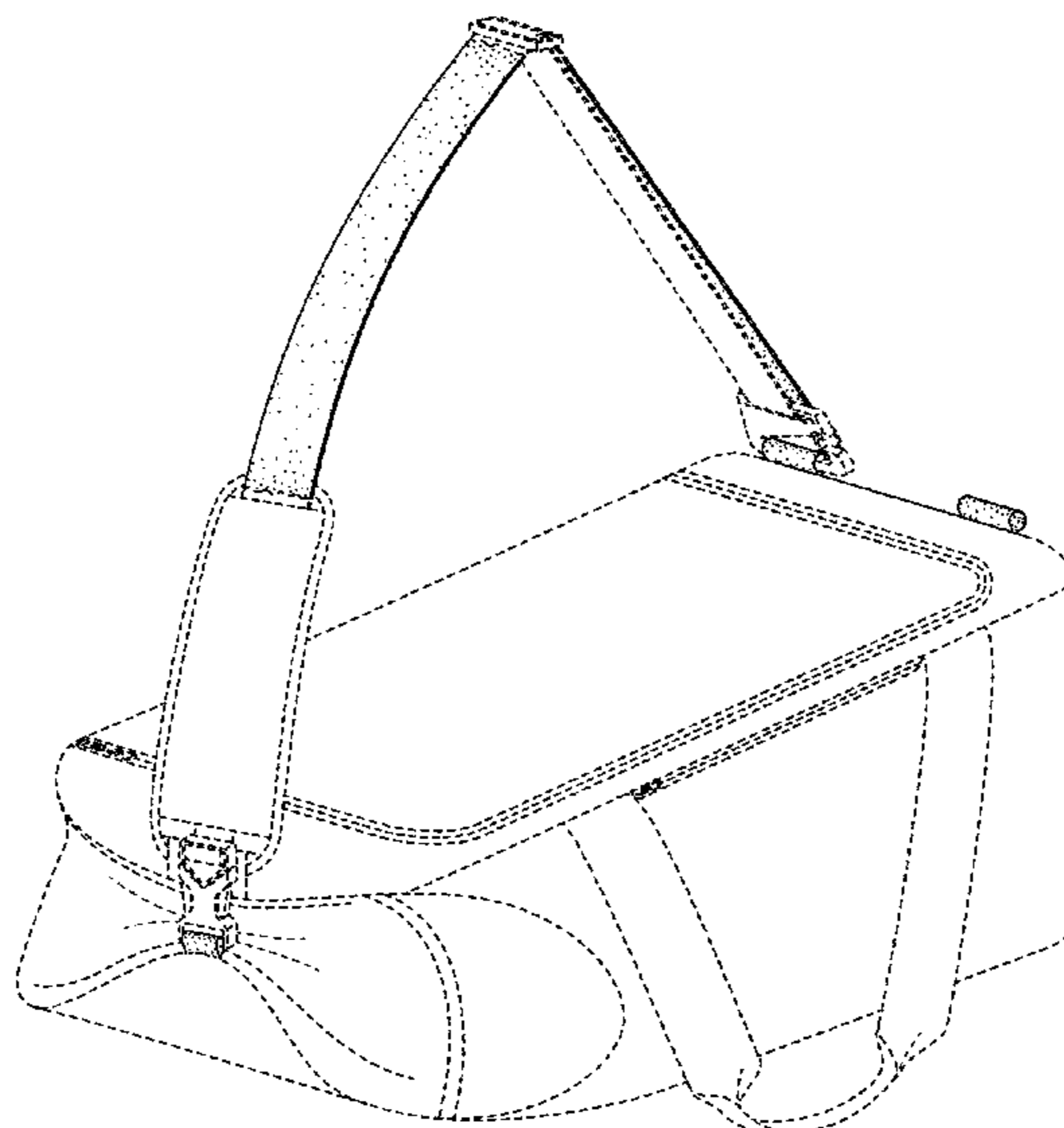
The ornamental design for a duffel bag, as shown and described.

**DESCRIPTION**

FIG. 1 is a top, front, right perspective view of a duffel bag showing my new design;  
FIG. 2 is a top front, left perspective view thereof;  
FIG. 3 is a front view thereof;  
FIG. 4 is a rear view thereof;  
FIG. 5 is a right side view thereof;  
FIG. 6 is a left side view thereof;  
FIG. 7 is a top view thereof; and,  
FIG. 8 is a bottom view thereof.

The uneven-length broken lines immediately adjacent to the shaded area represent unclaimed boundaries of the claimed design. The even-length broken lines within the shaded area in FIGS. 4 and 7 represent an unclaimed feature. The even-length broken lines show the remainder of the duffel bag. All broken lines shown are for the purposes of illustrating environment and form no part of the claimed design.

**1 Claim, 8 Drawing Sheets**



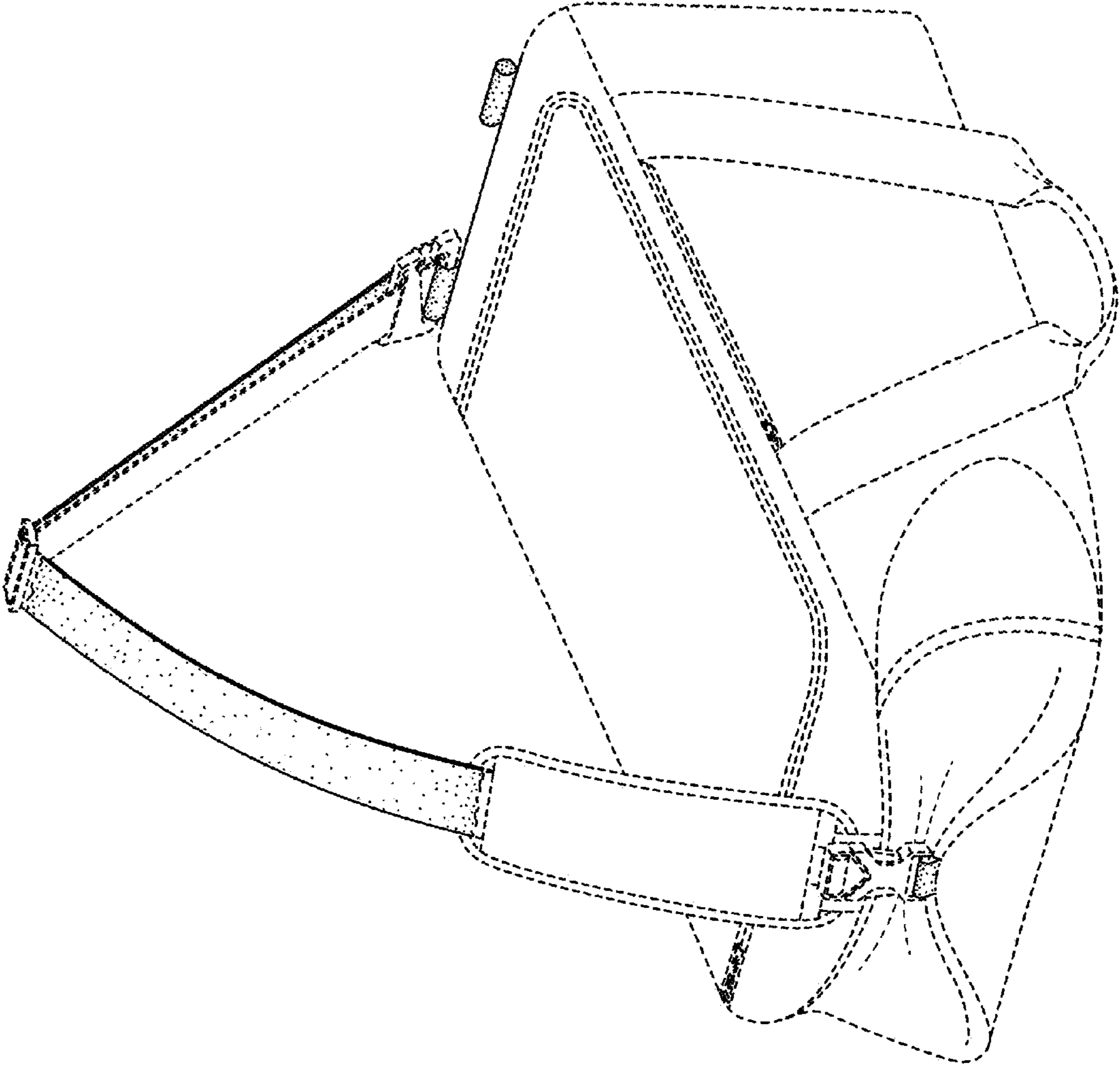


FIG. 1

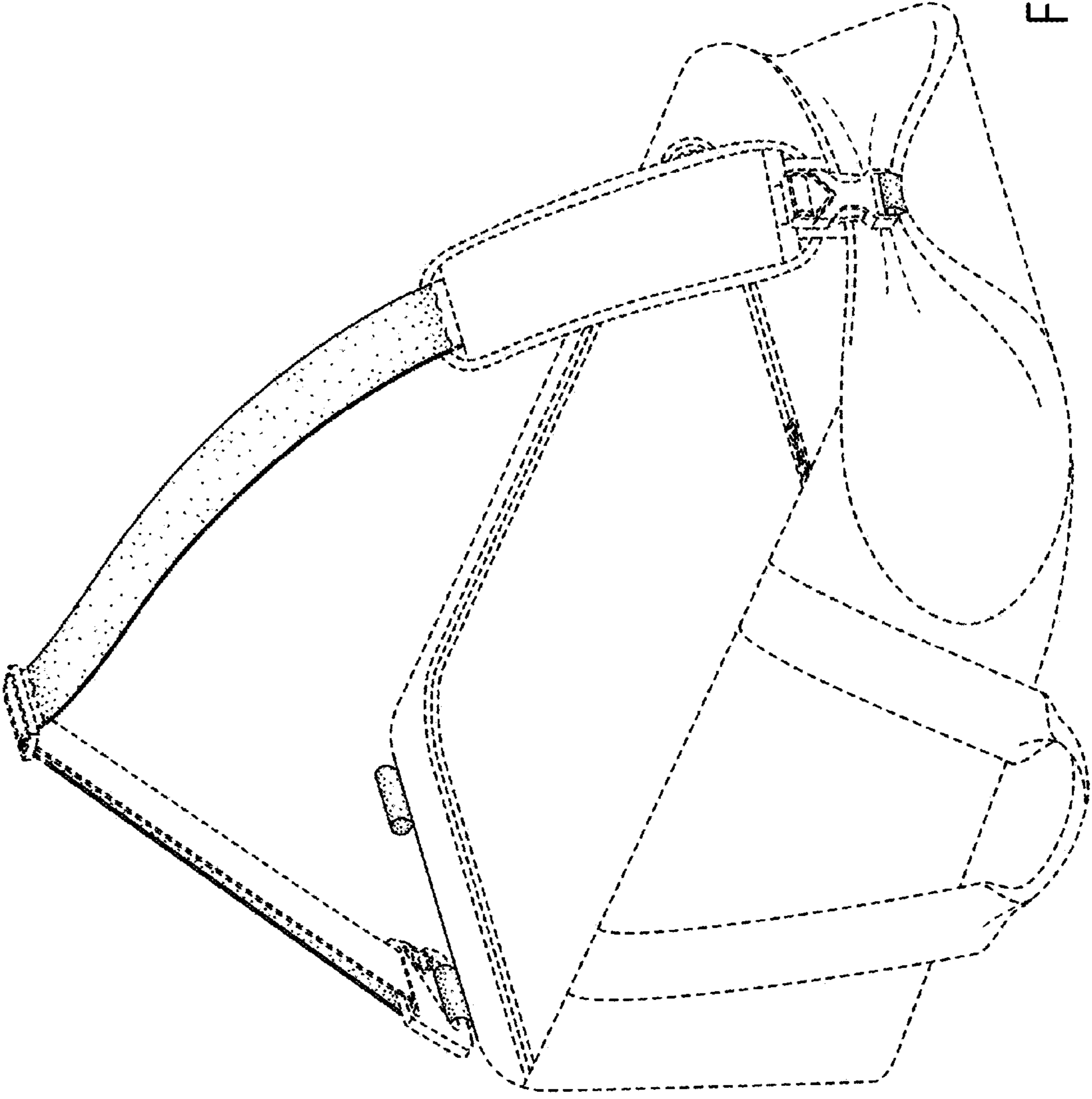


FIG. 2

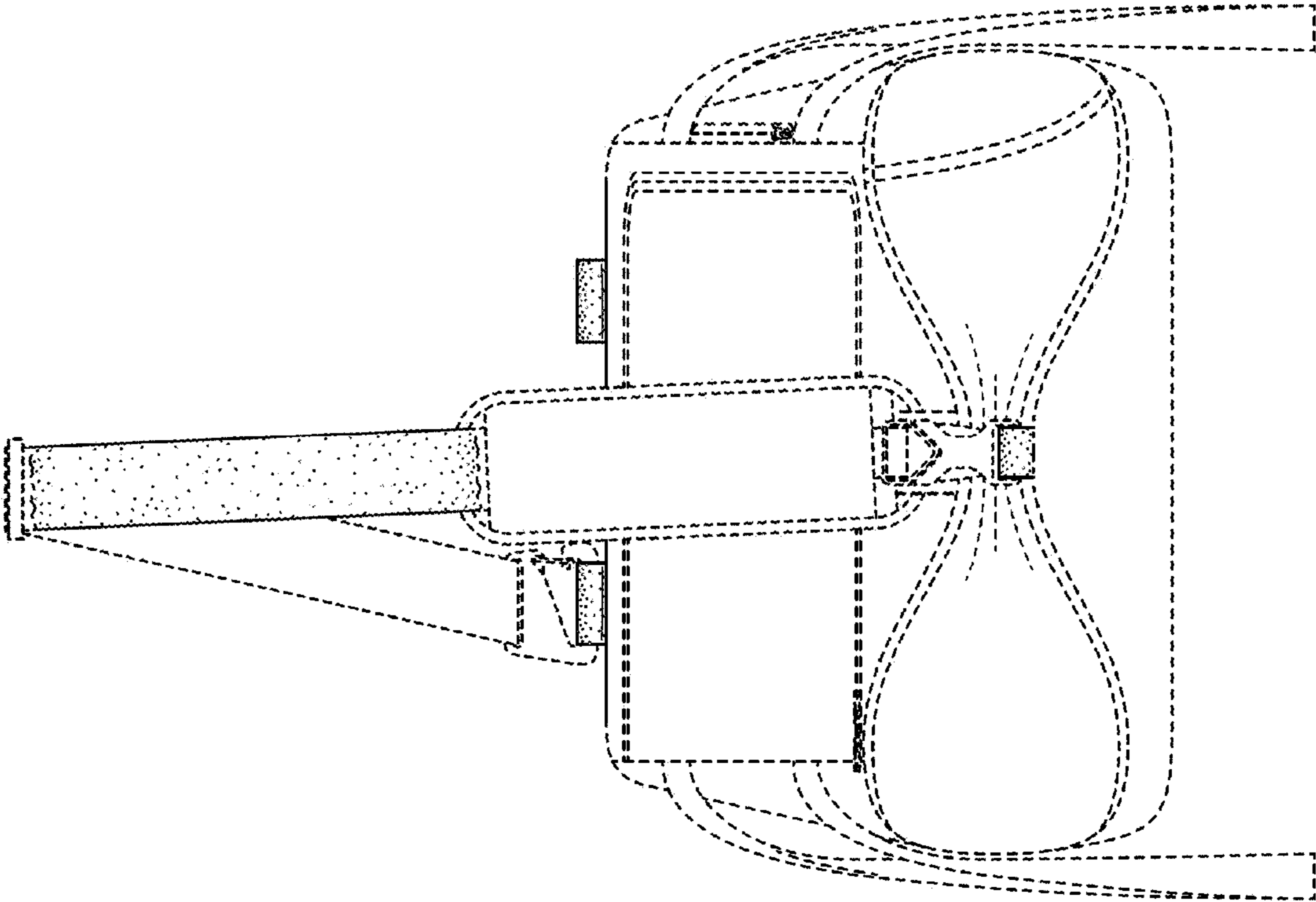


FIG. 3

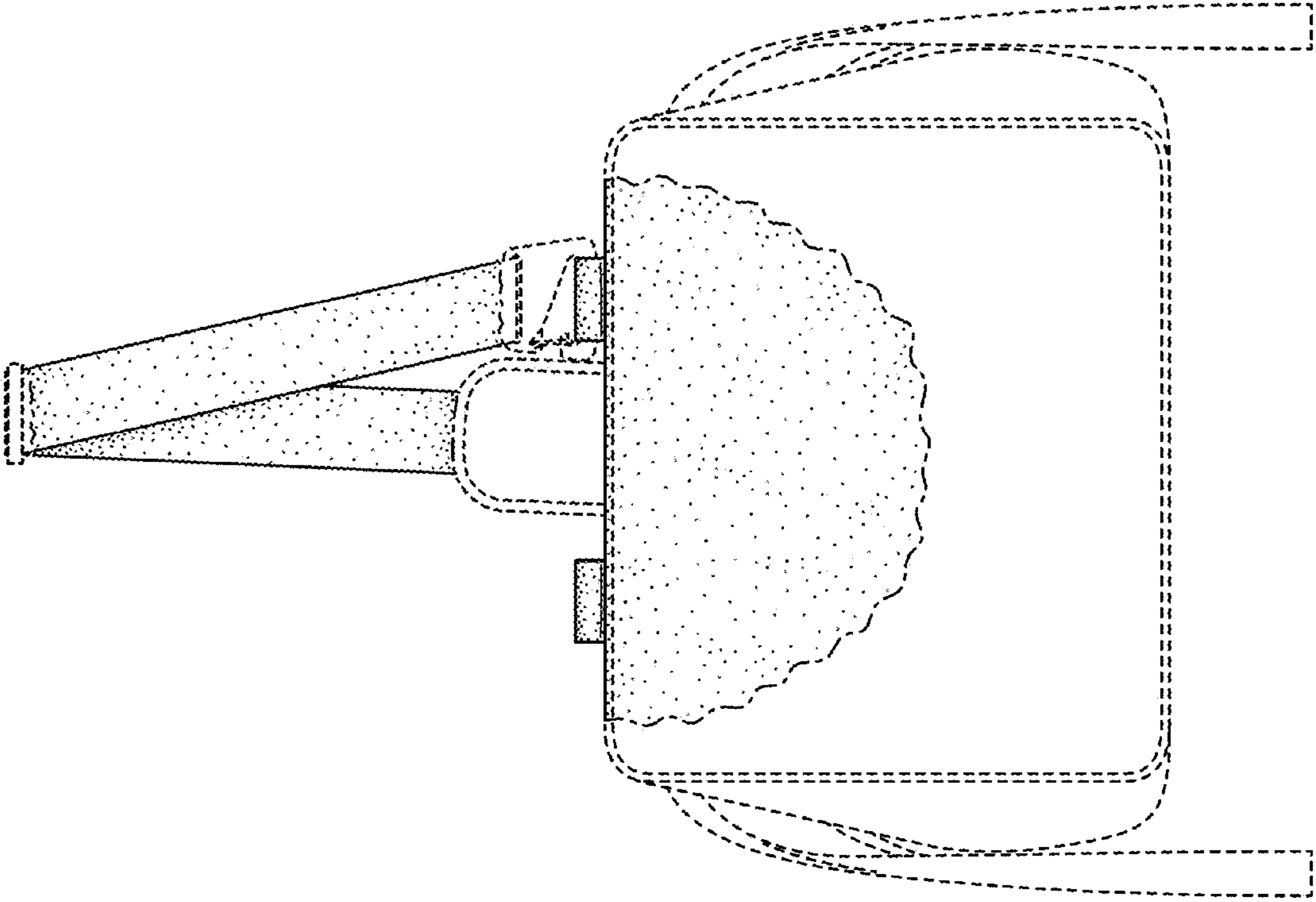


FIG. 4

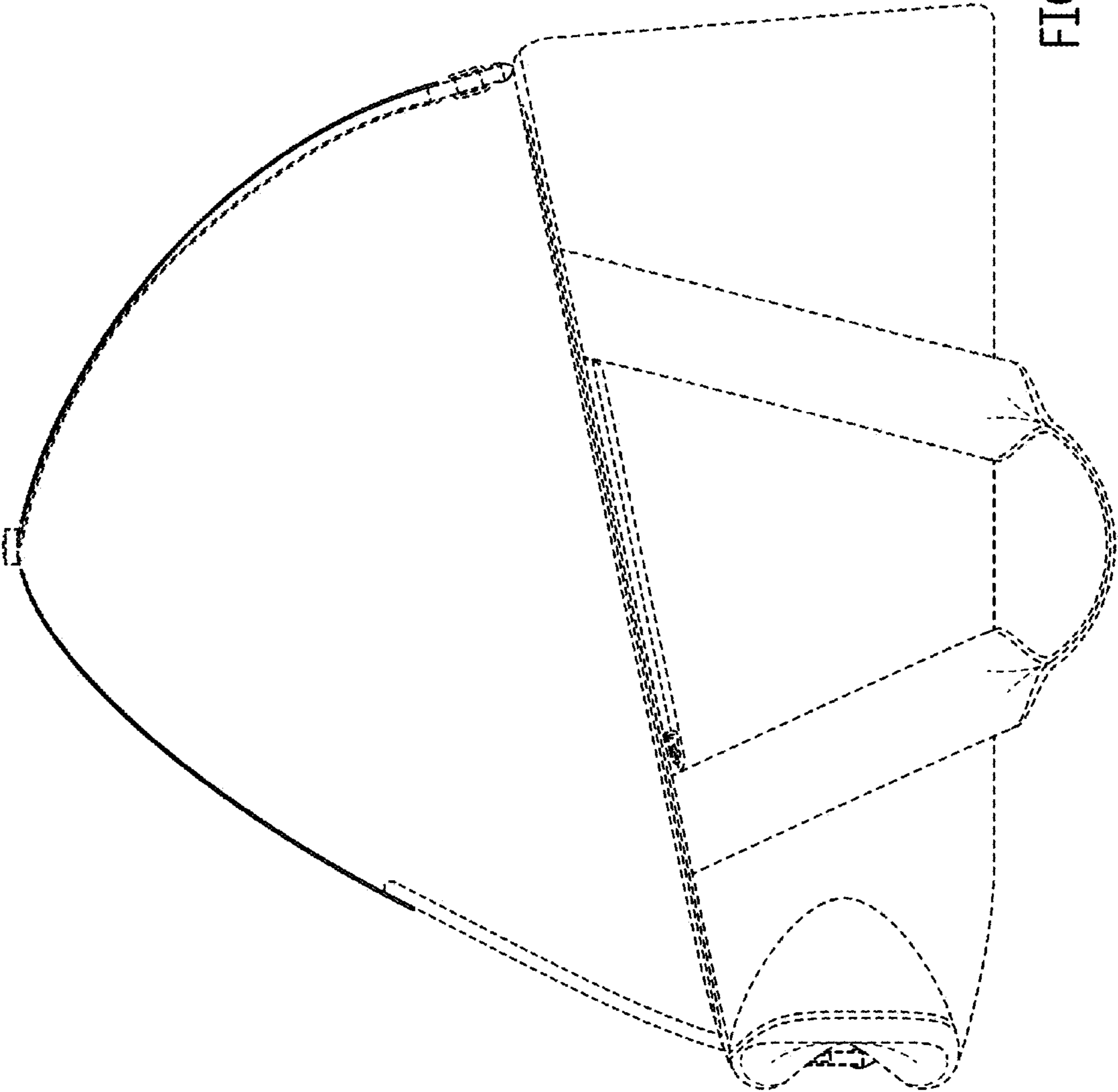


FIG. 5

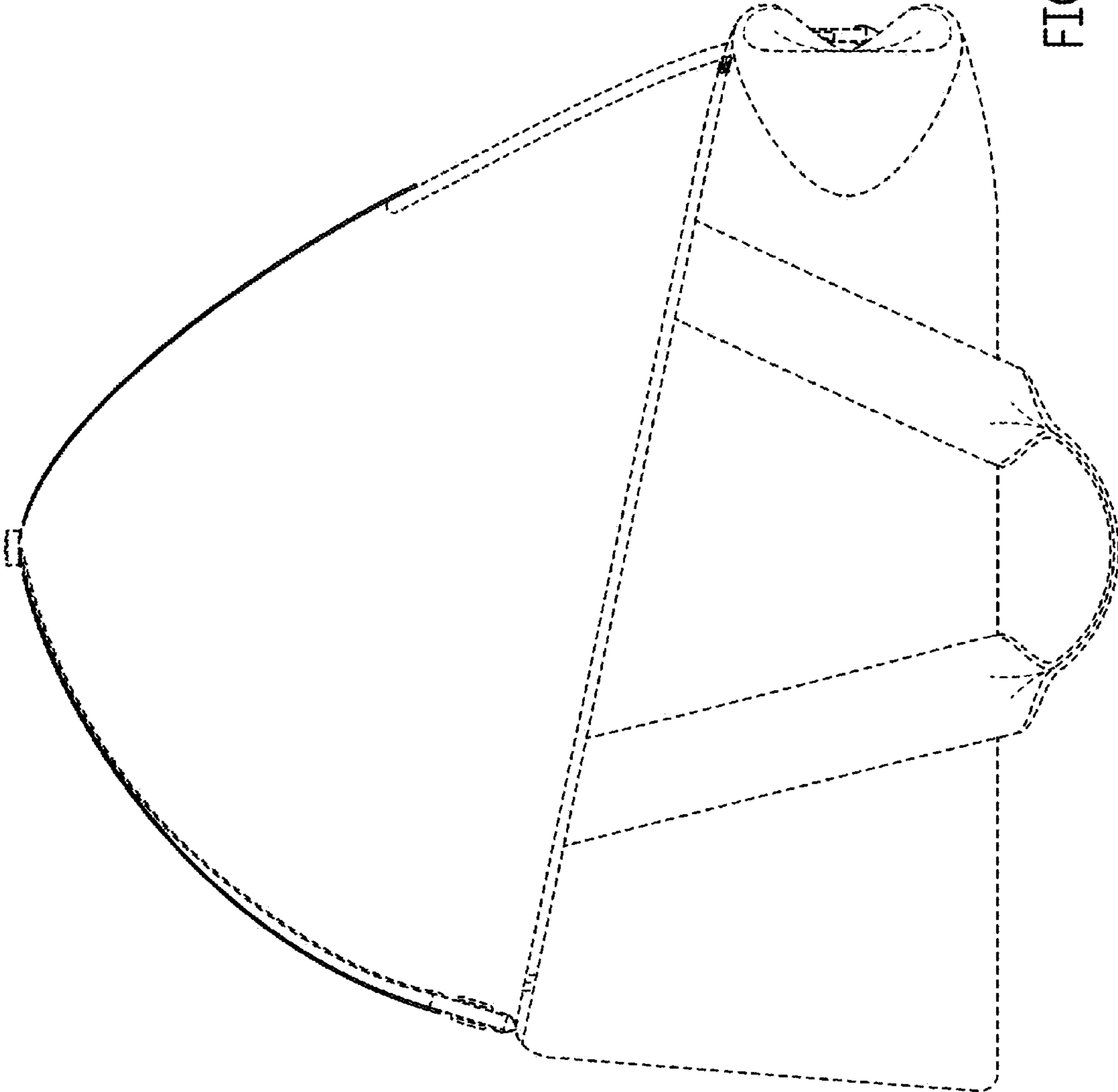


FIG. 6

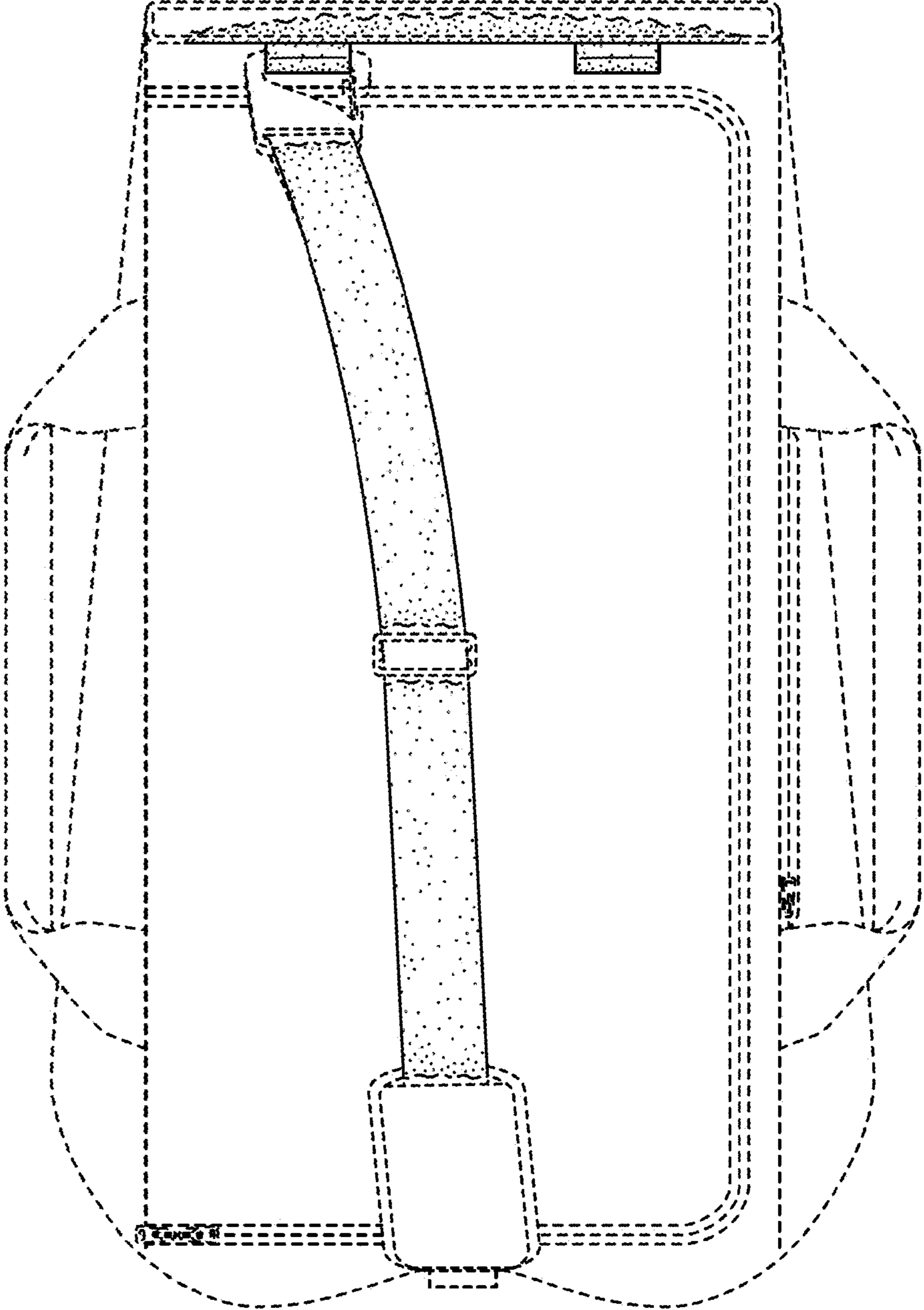


FIG. 7



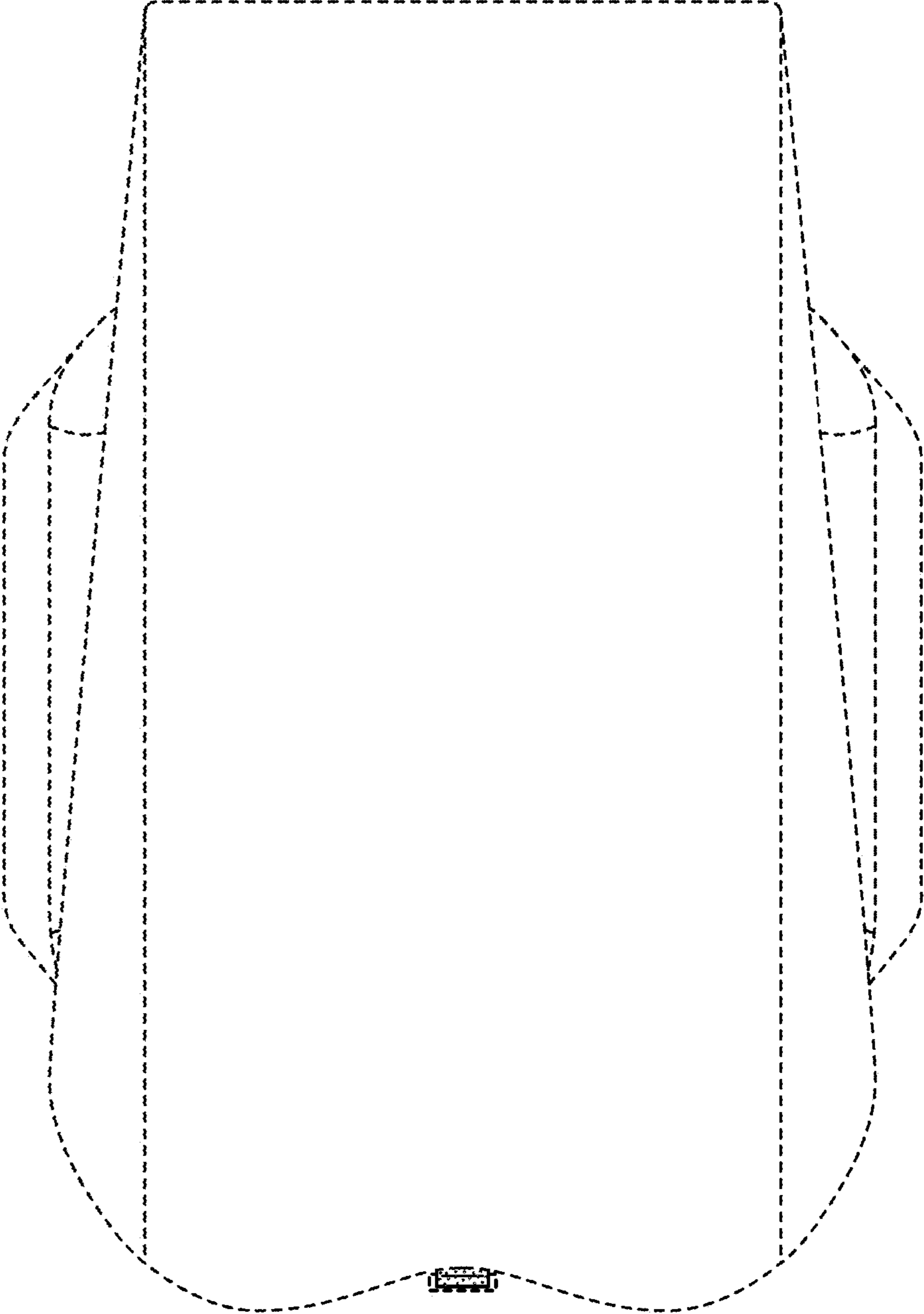


FIG. 8