



US00D754439S

(12) **United States Design Patent**
Ou

(10) **Patent No.:** **US D754,439 S**

(45) **Date of Patent:** **** Apr. 26, 2016**

(54) **TOOL BOX**

(71) Applicant: **Yu-Hua Ou**, Taichung (TW)

(72) Inventor: **Yu-Hua Ou**, Taichung (TW)

(**) Term: **14 Years**

(21) Appl. No.: **29/514,102**

(22) Filed: **Jan. 8, 2015**

(51) **LOC (10) Cl.** **03-01**

(52) **U.S. Cl.**
USPC **D3/318; D3/321; D3/905**

(58) **Field of Classification Search**
USPC **D3/272, 273, 276, 279, 281, 282, 283,**
D3/284, 294, 295, 296, 302, 905, 318, 321
CPC . **B25H 3/02-3/028; B25H 3/00; B25H 3/003;**
B25H 3/006

See application file for complete search history.

(56) **References Cited**

U.S. PATENT DOCUMENTS

| | | | | |
|--------------|---------|----------|-------|---------|
| D498,923 S * | 11/2004 | Chang | | D3/282 |
| D505,549 S * | 5/2005 | Hosking | | D14/509 |
| D516,311 S * | 3/2006 | Lai | | D3/282 |
| D529,716 S * | 10/2006 | Wang | | D3/282 |
| D530,914 S * | 10/2006 | Jansson | | D3/282 |
| D563,672 S * | 3/2008 | Cornwell | | D3/294 |
| D568,046 S * | 5/2008 | Hsu | | D3/282 |
| D572,479 S * | 7/2008 | Buck | | D3/282 |
| D579,201 S * | 10/2008 | Galli | | D3/273 |
| D601,797 S * | 10/2009 | Wenchel | | D3/294 |
| D602,692 S * | 10/2009 | Wu | | 294/905 |

| | | | | |
|-------------------|---------|---------|-------|----------------------|
| D620,255 S * | 7/2010 | Chang | | D3/282 |
| D636,996 S * | 5/2011 | Kokawa | | D3/282 |
| D668,455 S * | 10/2012 | Chang | | D3/282 |
| D691,801 S * | 10/2013 | Lin | | D3/282 |
| D719,352 S * | 12/2014 | Shitrit | | D3/282 |
| D740,559 S * | 10/2015 | Steele | | D3/281 |
| 2014/0231307 A1 * | 8/2014 | Wen | | B25H 3/02 206/736 |

* cited by examiner

Primary Examiner — Jennifer Rivard

Assistant Examiner — April Rivas

(74) *Attorney, Agent, or Firm* — Muncy, Geissler, Olds & Lowe, P.C.

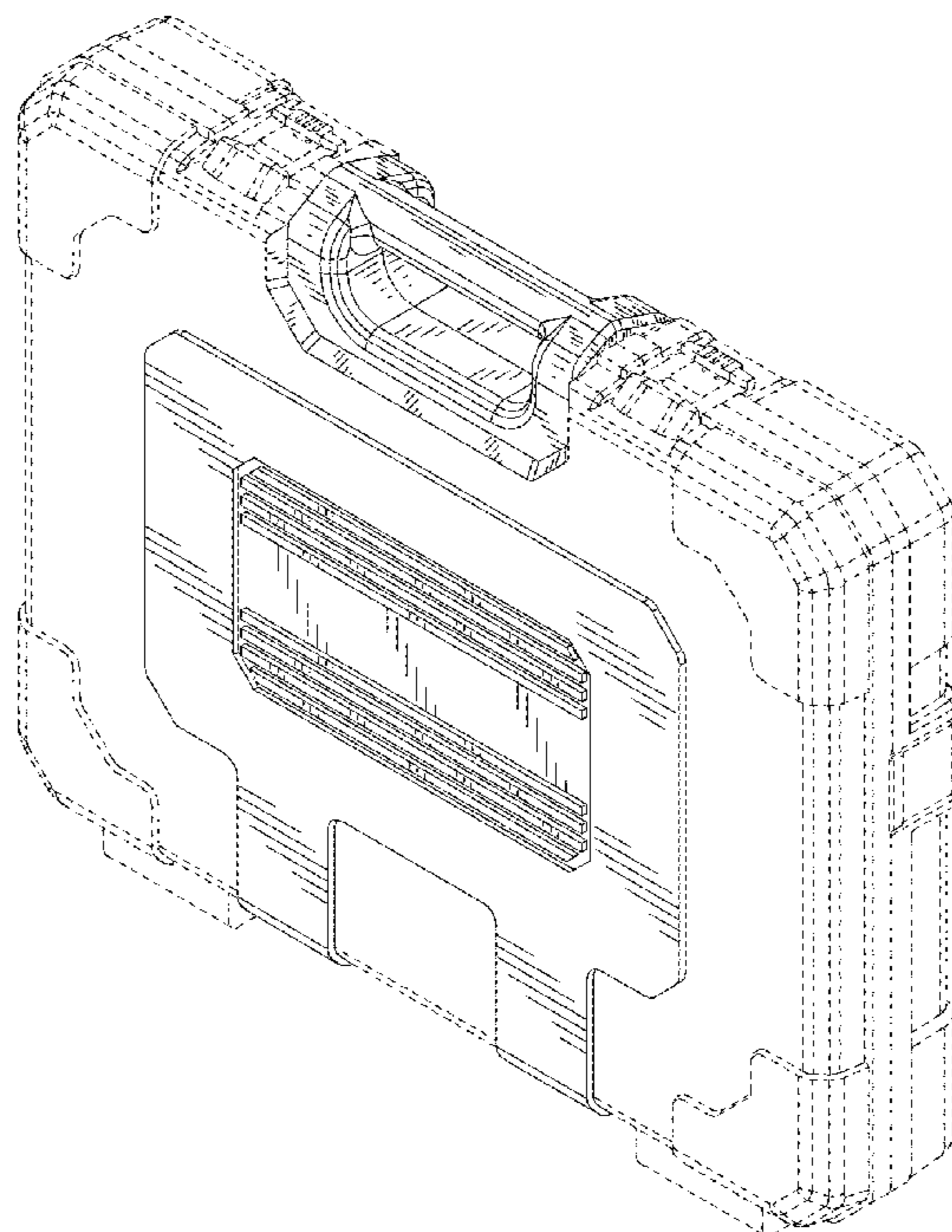
(57) **CLAIM**

I claim the ornamental design for a tool box, as shown and described.

DESCRIPTION

FIG. 1 is a right, front, top perspective view of a tool box showing my new design;
FIG. 2 is a front elevational view thereof;
FIG. 3 is a rear elevational view thereof;
FIG. 4 is a left side view thereof;
FIG. 5 is a right side view thereof;
FIG. 6 is a top plan view thereof;
FIG. 7 is a bottom plan view thereof; and,
FIG. 8 is a right, rear, bottom perspective view of the tool box. The broken lines and the unshaded areas within illustrate portions of the tool box and form no part of the claimed design.

1 Claim, 6 Drawing Sheets



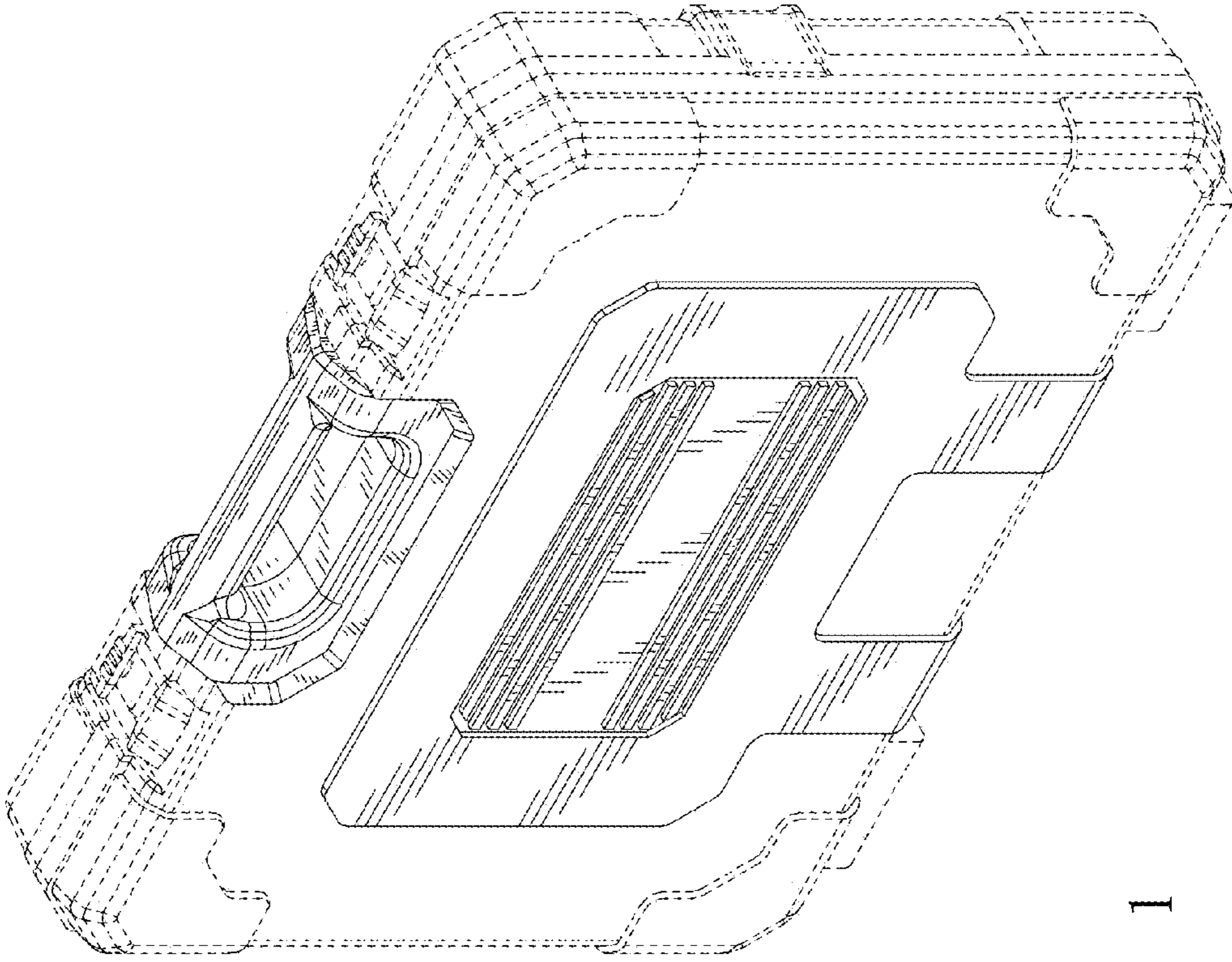


FIG. 1

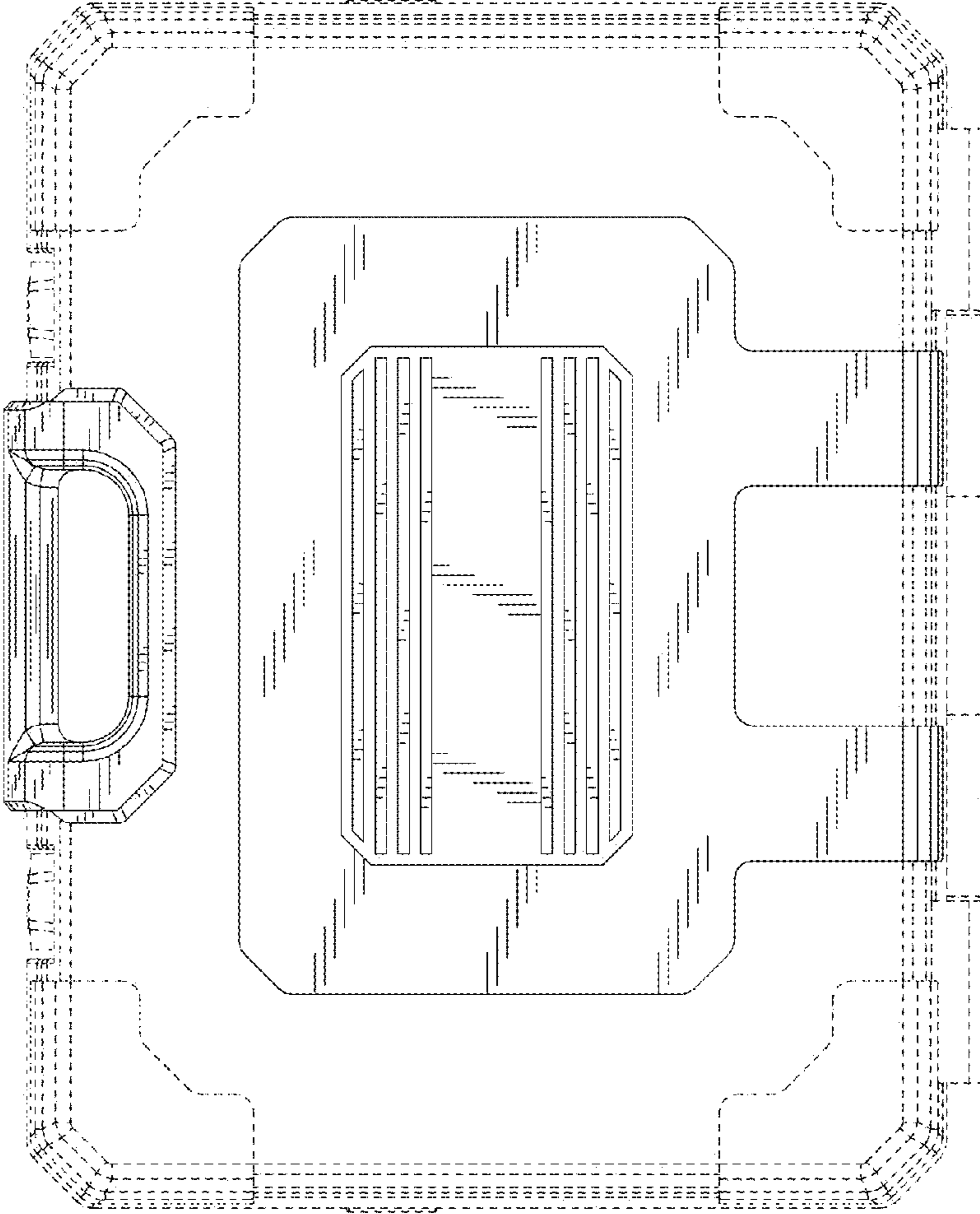


FIG. 2

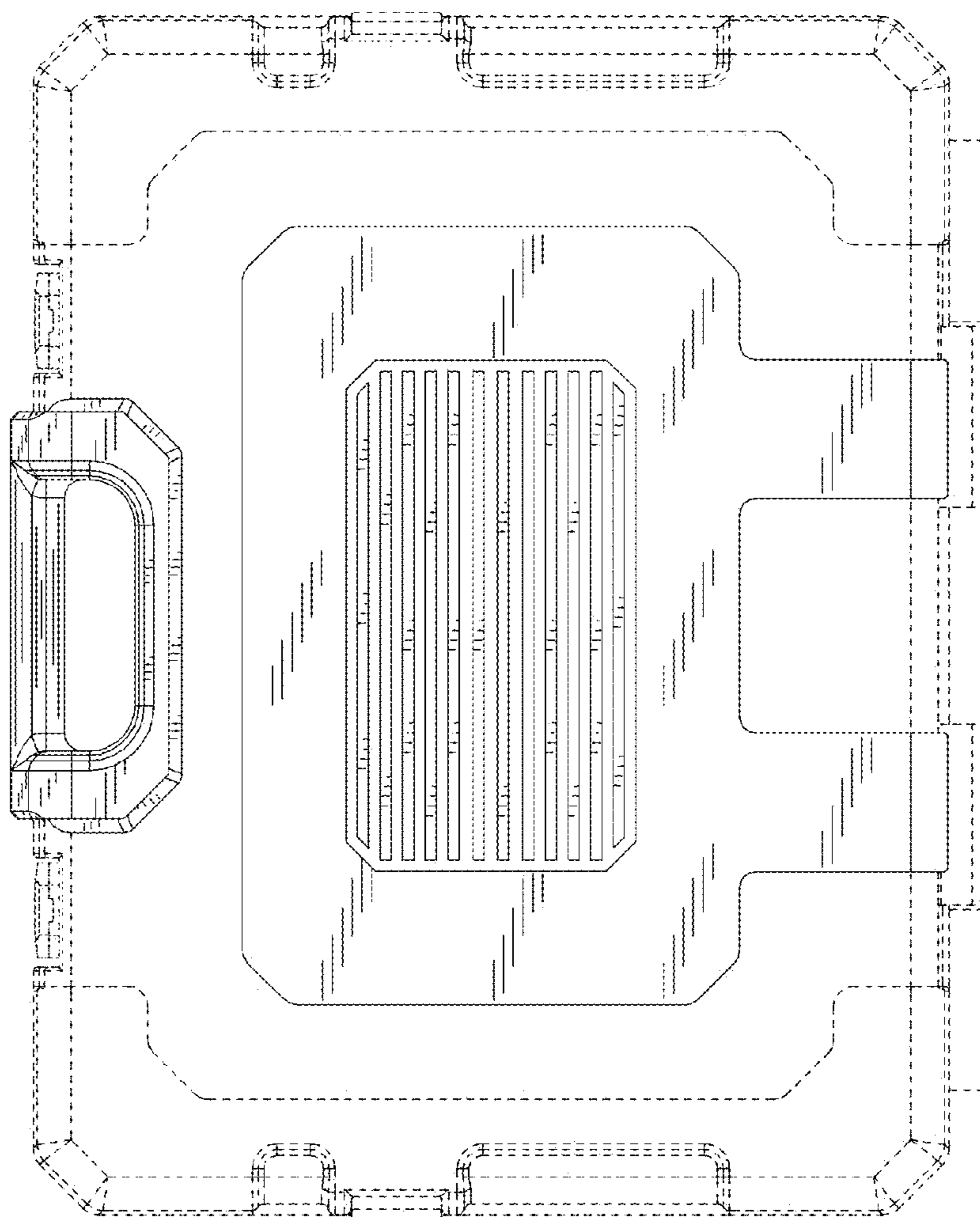


FIG. 3

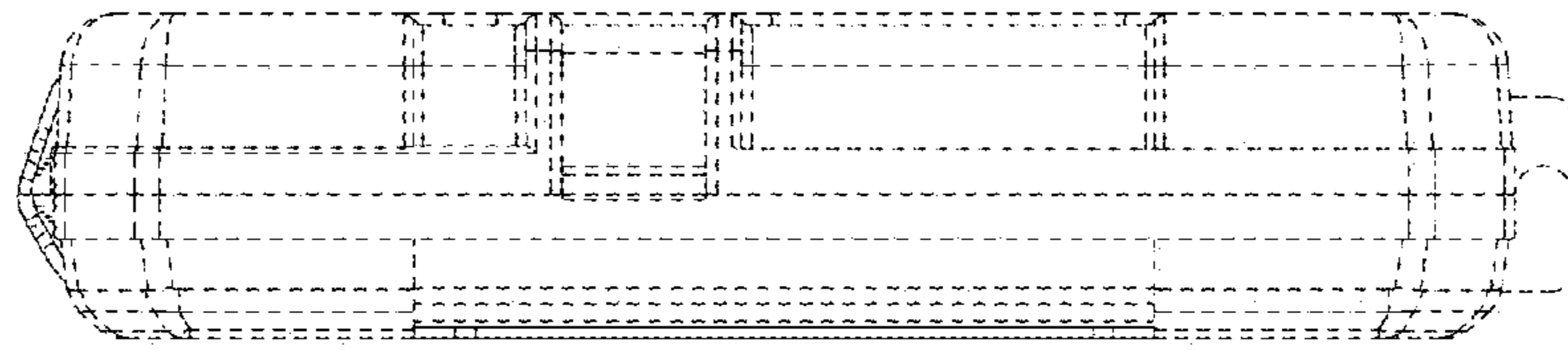


FIG. 5

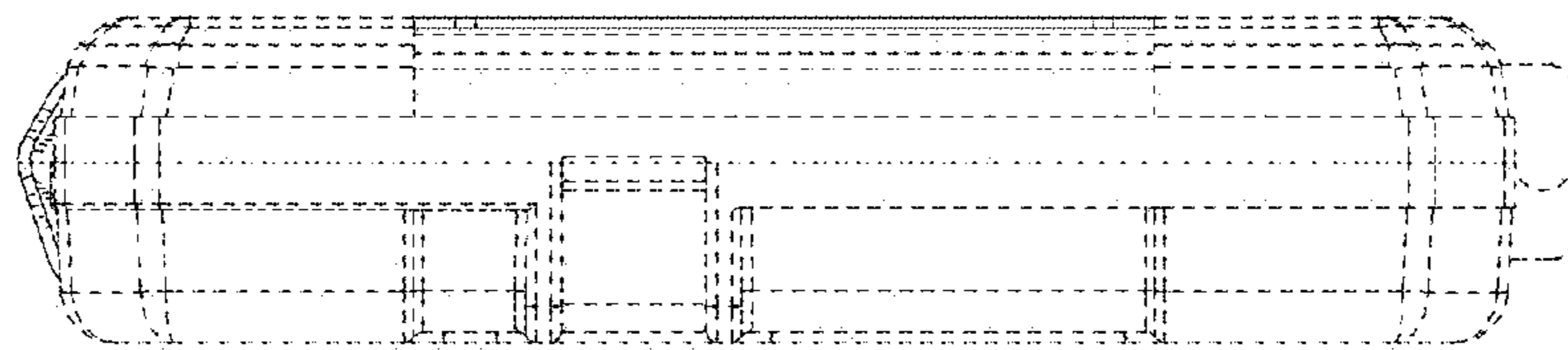


FIG. 4

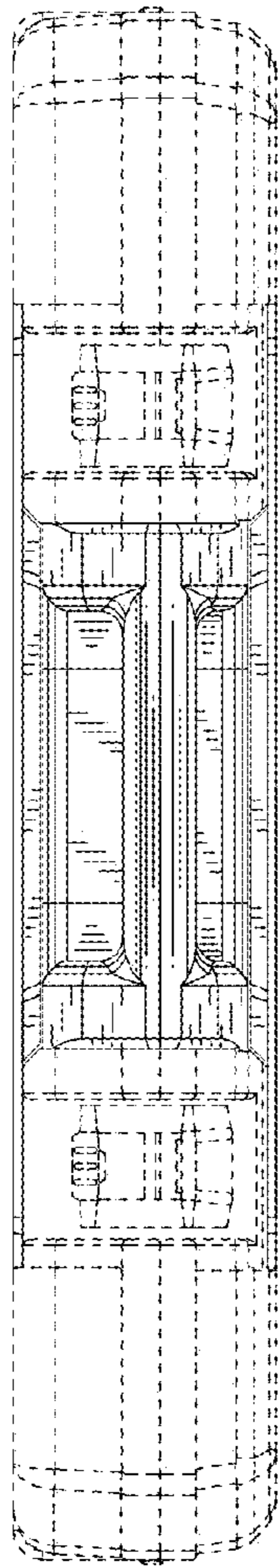


FIG. 6

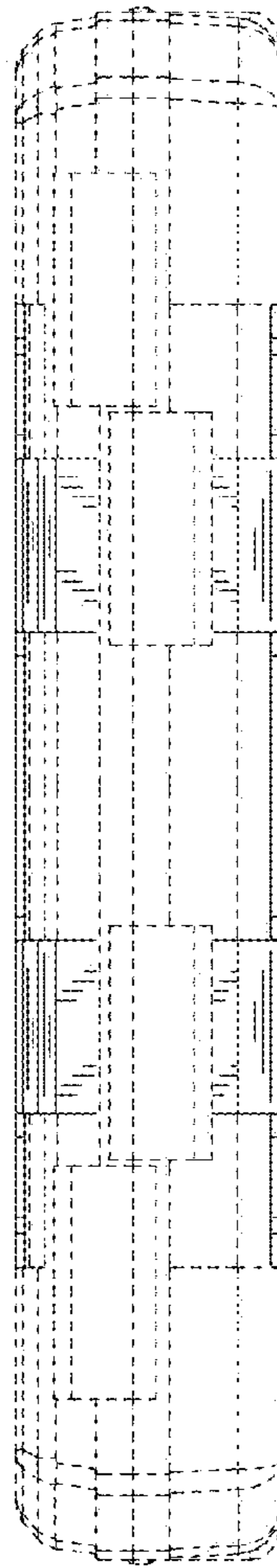


FIG. 7

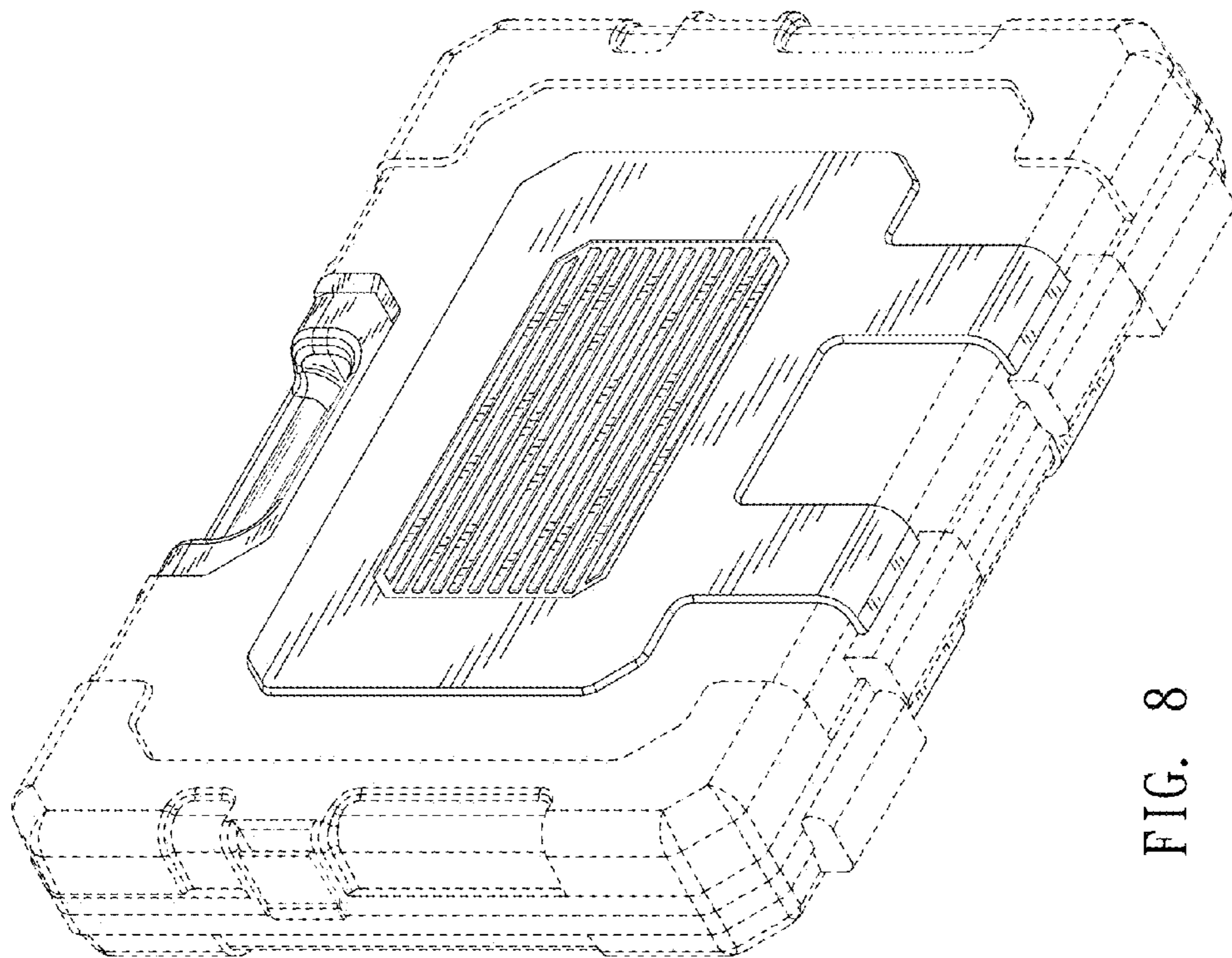


FIG. 8