



US00D754436S

(12) **United States Design Patent**
Ou

(10) **Patent No.:** **US D754,436 S**

(45) **Date of Patent:** **** Apr. 26, 2016**

(54) **TOOL BOX**

(71) Applicant: **Yu-Hua Ou**, Taichung (TW)

(72) Inventor: **Yu-Hua Ou**, Taichung (TW)

(**) Term: **14 Years**

(21) Appl. No.: **29/514,106**

(22) Filed: **Jan. 8, 2015**

(51) **LOC (10) Cl.** **03-01**

(52) **U.S. Cl.**
USPC **D3/282; D3/294; D3/905**

(58) **Field of Classification Search**
USPC **D3/272, 273, 276, 279, 281, 282, 283,**
D3/284, 294, 295, 296, 302, 905
CPC . **B25H 3/02-3/028; B25H 3/00; B25H 3/003;**
B25H 3/006
See application file for complete search history.

(56) **References Cited**

U.S. PATENT DOCUMENTS

D498,923 S *	11/2004	Chang	D3/282
D505,549 S *	5/2005	Hosking	D14/509
D516,311 S *	3/2006	Lai	D3/282
D529,716 S *	10/2006	Wang	D3/282
D530,914 S *	10/2006	Jansson	D3/282
D563,672 S *	3/2008	Cornwell	D3/294
D568,046 S *	5/2008	Hsu	D3/282
D572,479 S *	7/2008	Buck	D3/282
D579,201 S *	10/2008	Galli	D3/273
D601,797 S *	10/2009	Wenchel	D3/294
D602,692 S *	10/2009	Wu	294/905

D620,255 S *	7/2010	Chang	D3/282
D636,996 S *	5/2011	Kokawa	D3/282
D668,455 S *	10/2012	Chang	D3/282
D691,801 S *	10/2013	Lin	D3/282
D719,352 S *	12/2014	Shitrit	D3/282
D740,559 S *	10/2015	Steele	D3/281
2014/0231307 A1 *	8/2014	Wen	B25H 3/02 206/736

* cited by examiner

Primary Examiner — Jennifer Rivard

Assistant Examiner — April Rivas

(74) *Attorney, Agent, or Firm* — Muncy, Geissler, Olds & Lowe, P.C.

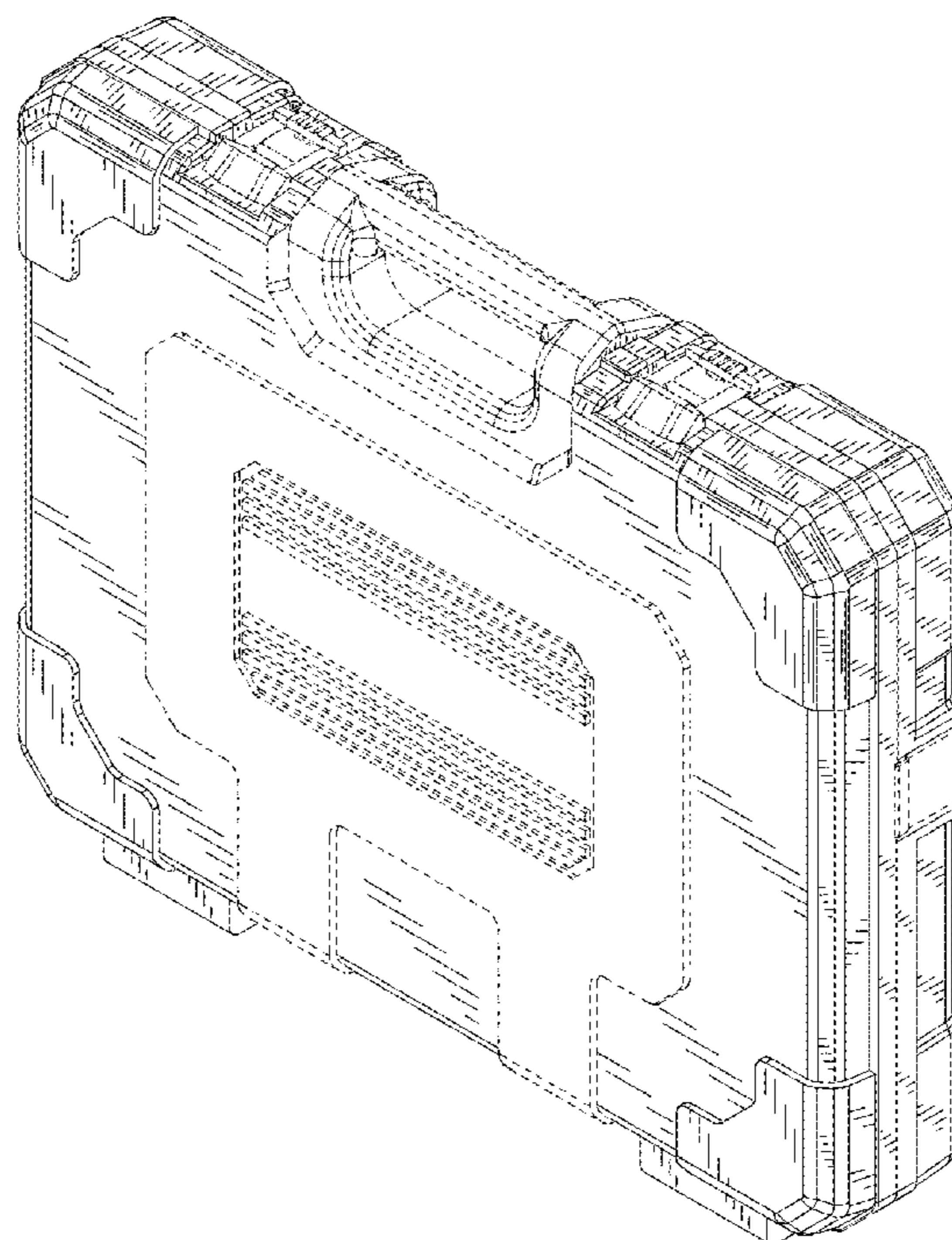
(57) **CLAIM**

I claim the ornamental design for a tool box, as shown and described.

DESCRIPTION

FIG. 1 is a right, front, top perspective view of a tool box showing my new design;
FIG. 2 is a front elevational view thereof;
FIG. 3 is a rear elevational view thereof;
FIG. 4 is a left side view thereof;
FIG. 5 is a right side view thereof;
FIG. 6 is a top plan view thereof;
FIG. 7 is a bottom plan view thereof; and,
FIG. 8 is a right, rear, bottom perspective view of the tool box. The broken lines and the unshaded areas within illustrate portions of the tool box and form no part of the claimed design.

1 Claim, 6 Drawing Sheets



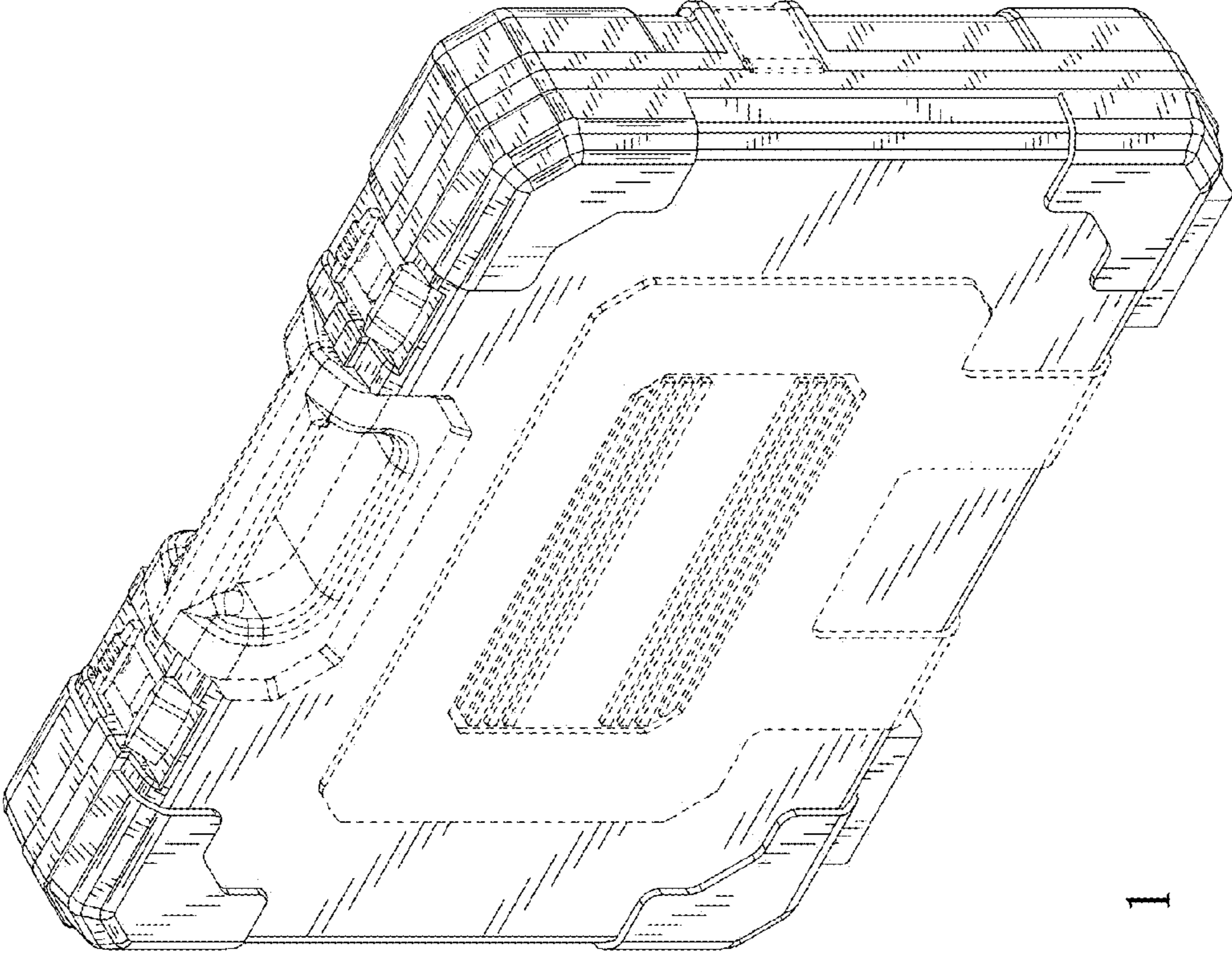


FIG. 1

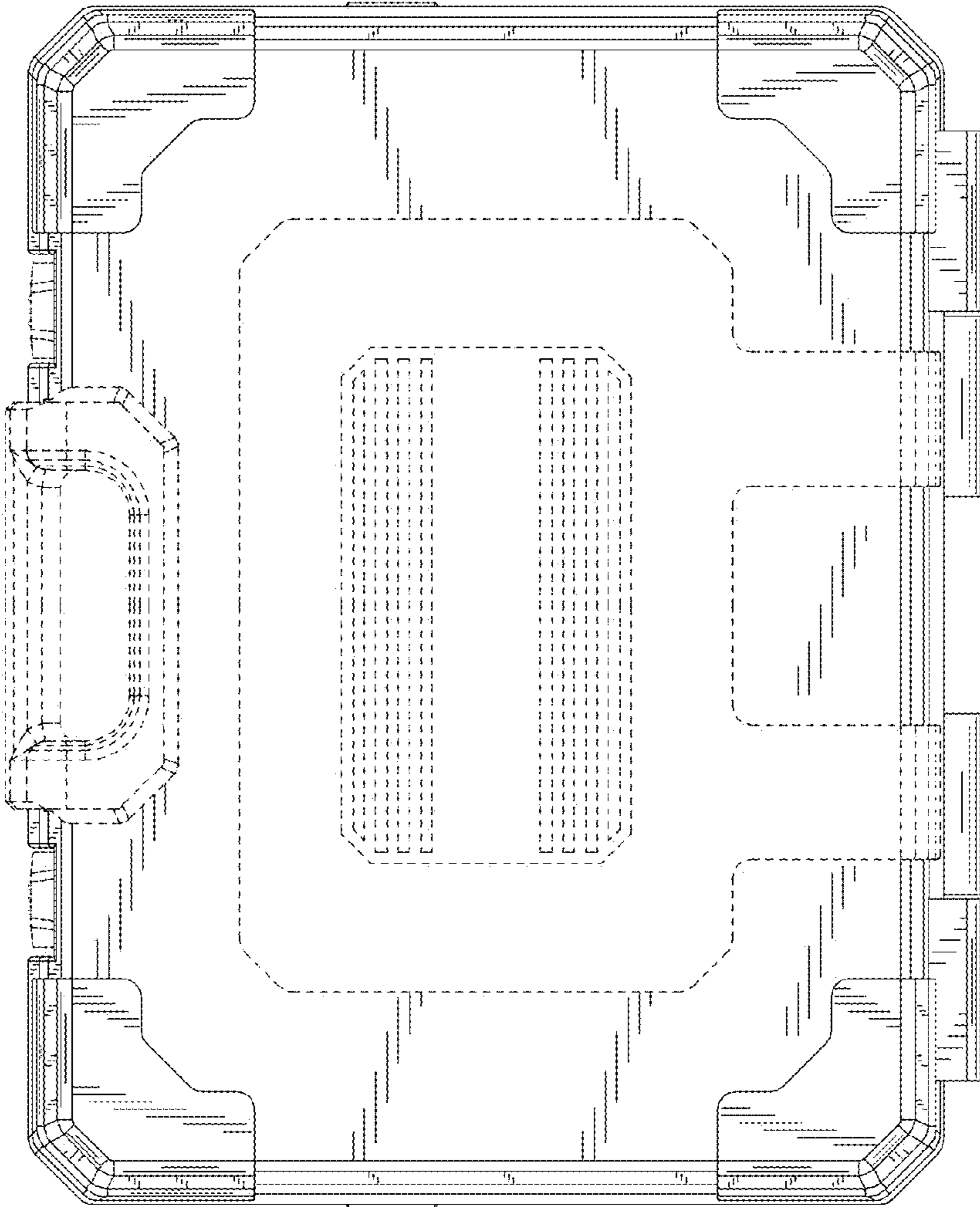


FIG. 2

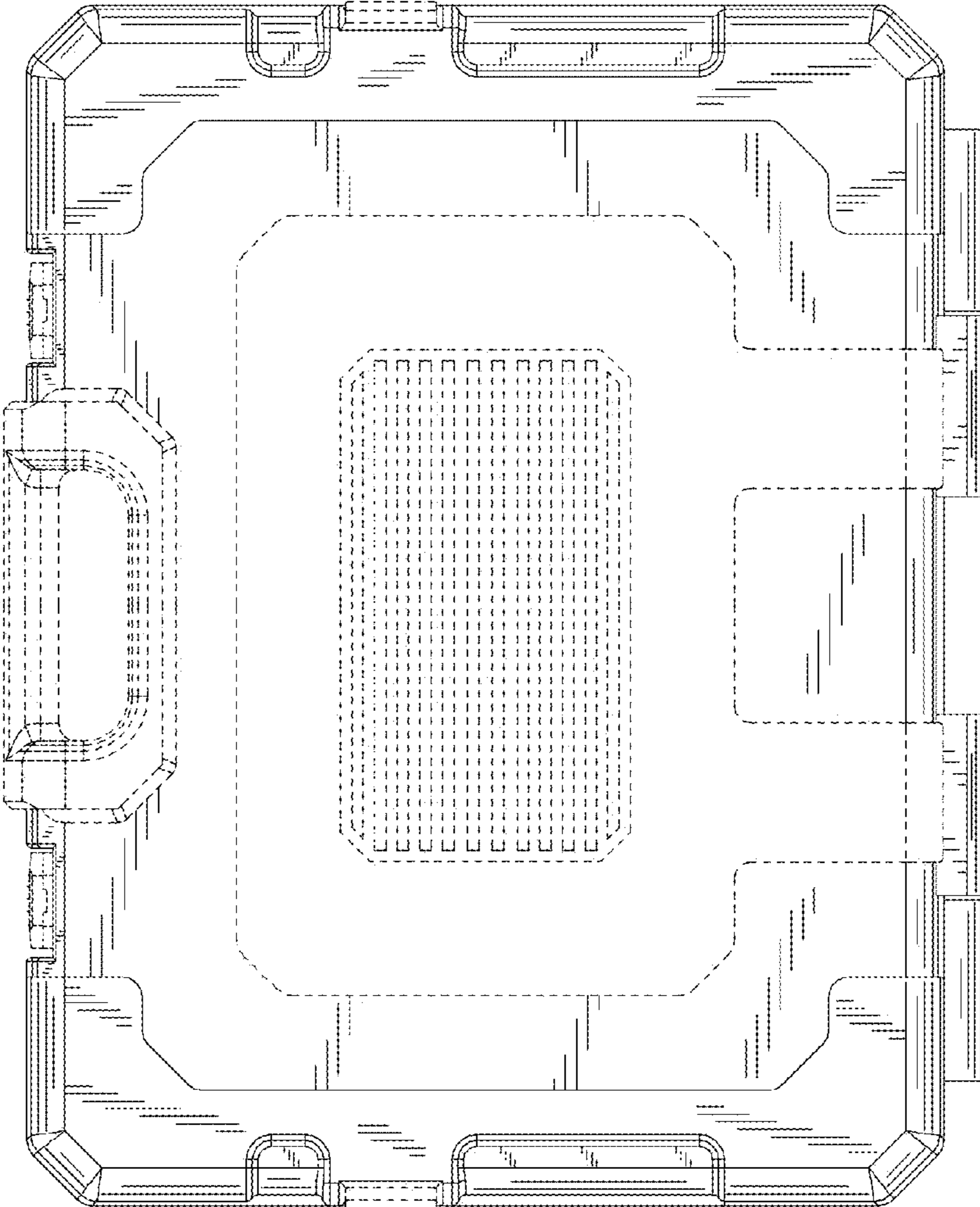


FIG. 3

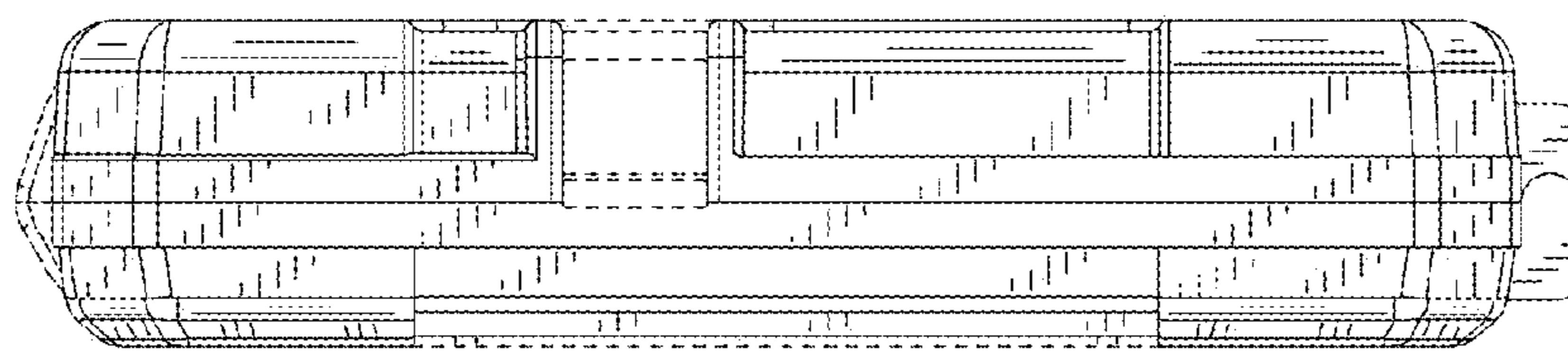


FIG. 5



FIG. 4

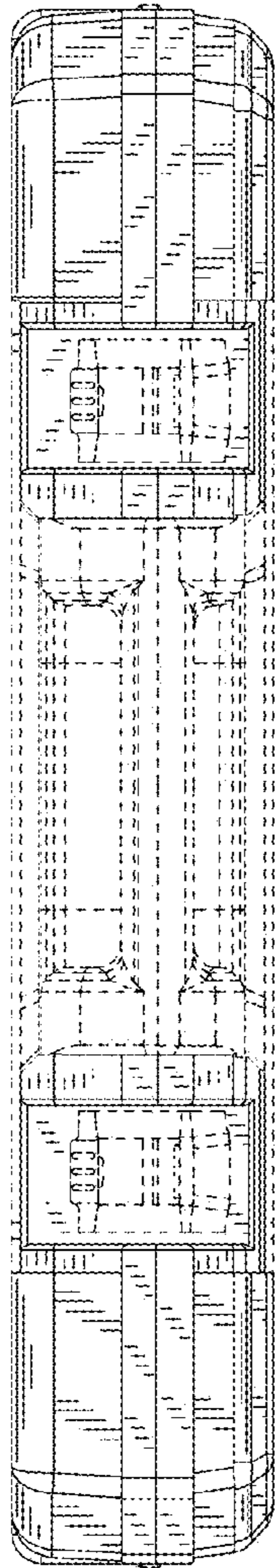


FIG. 6

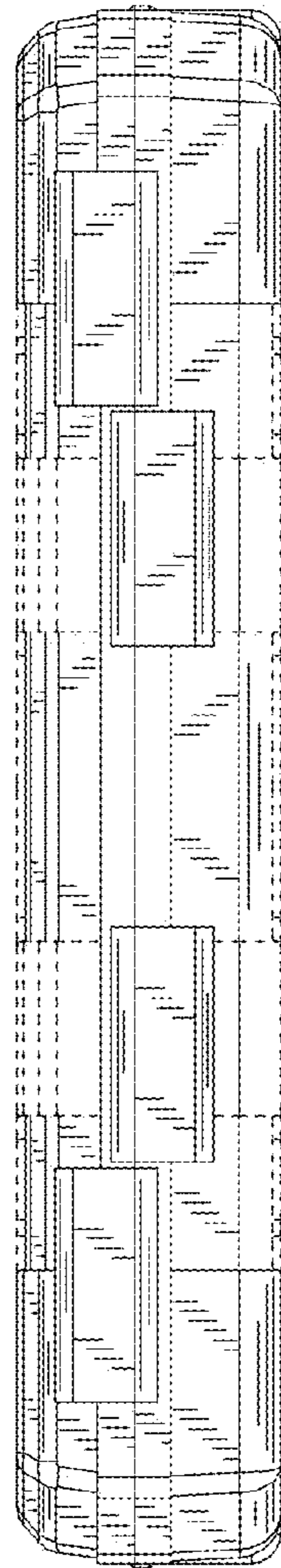


FIG. 7

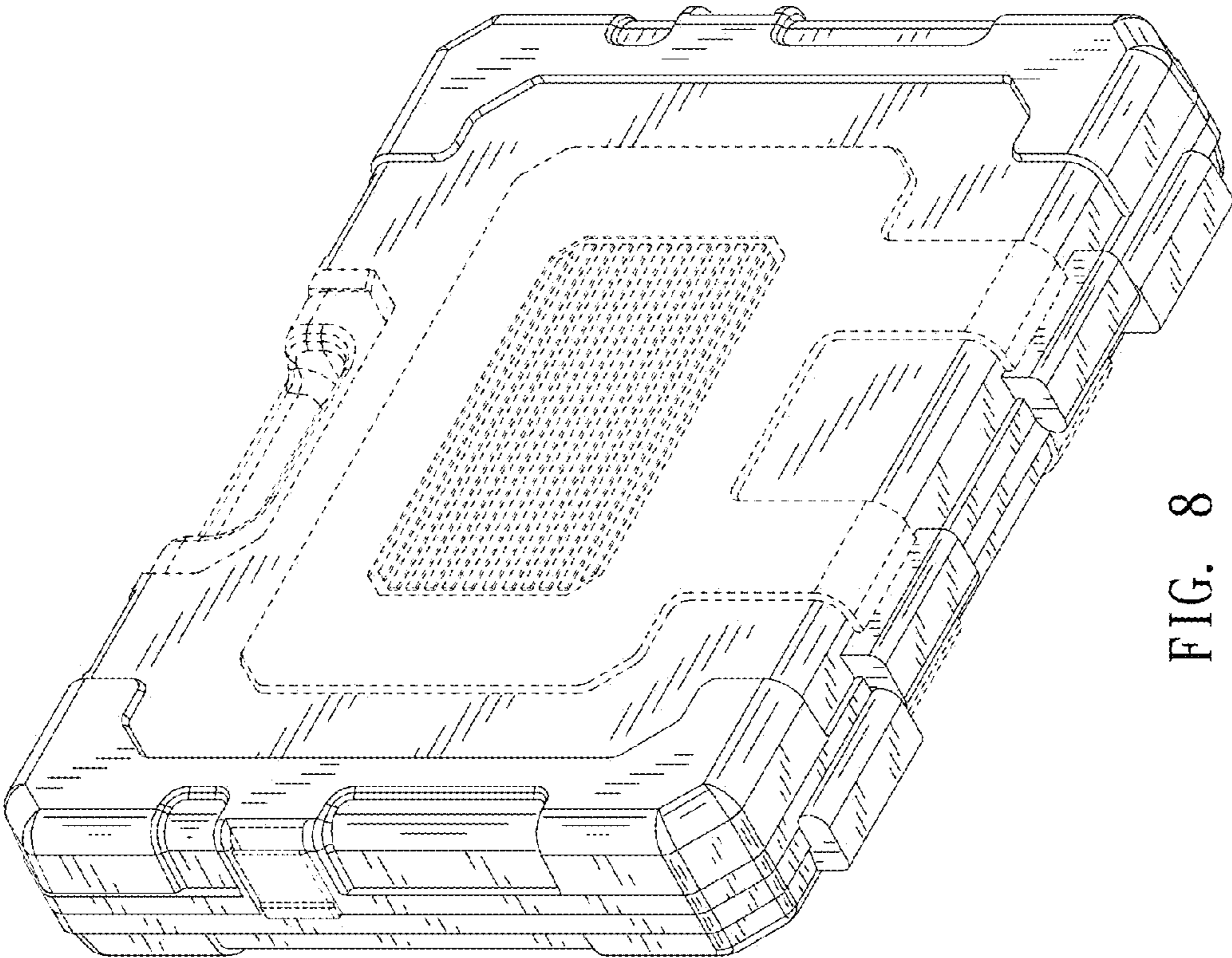


FIG. 8