



US00D754434S

(12) **United States Design Patent**
DeChant

(10) **Patent No.:** **US D754,434 S**

(45) **Date of Patent:** **** Apr. 26, 2016**

(54) **HORIZONTAL BIFOLD CELL PHONE WALLET**

3,162,227 A 12/1964 Bakken
1,671,297 A 2/1968 Levi
3,370,777 A 2/1968 Levi
D255,509 S 6/1980 Nathan et al.

(Continued)

(71) Applicant: **Daniel A. DeChant**, Madison, WI (US)

(72) Inventor: **Daniel A. DeChant**, Madison, WI (US)

(**) Term: **14 Years**

(21) Appl. No.: **29/520,710**

(22) Filed: **Mar. 17, 2015**

FOREIGN PATENT DOCUMENTS

CA 134785 10/2010
DE 197428065 U 11/1974

(Continued)

Primary Examiner — Holly Baynham

(74) *Attorney, Agent, or Firm* — Michael Best & Friedrich LLP

Related U.S. Application Data

(63) Continuation of application No. 29/449,451, filed on Mar. 15, 2013.

(51) **LOC (10) Cl.** **03-01**

(52) **U.S. Cl.**
USPC **D3/247**

(58) **Field of Classification Search**
USPC D3/247, 249–253
CPC A45C 1/06; A45C 3/08
See application file for complete search history.

(57) **CLAIM**

The ornamental design for a horizontal bifold cell phone wallet, as shown and described.

DESCRIPTION

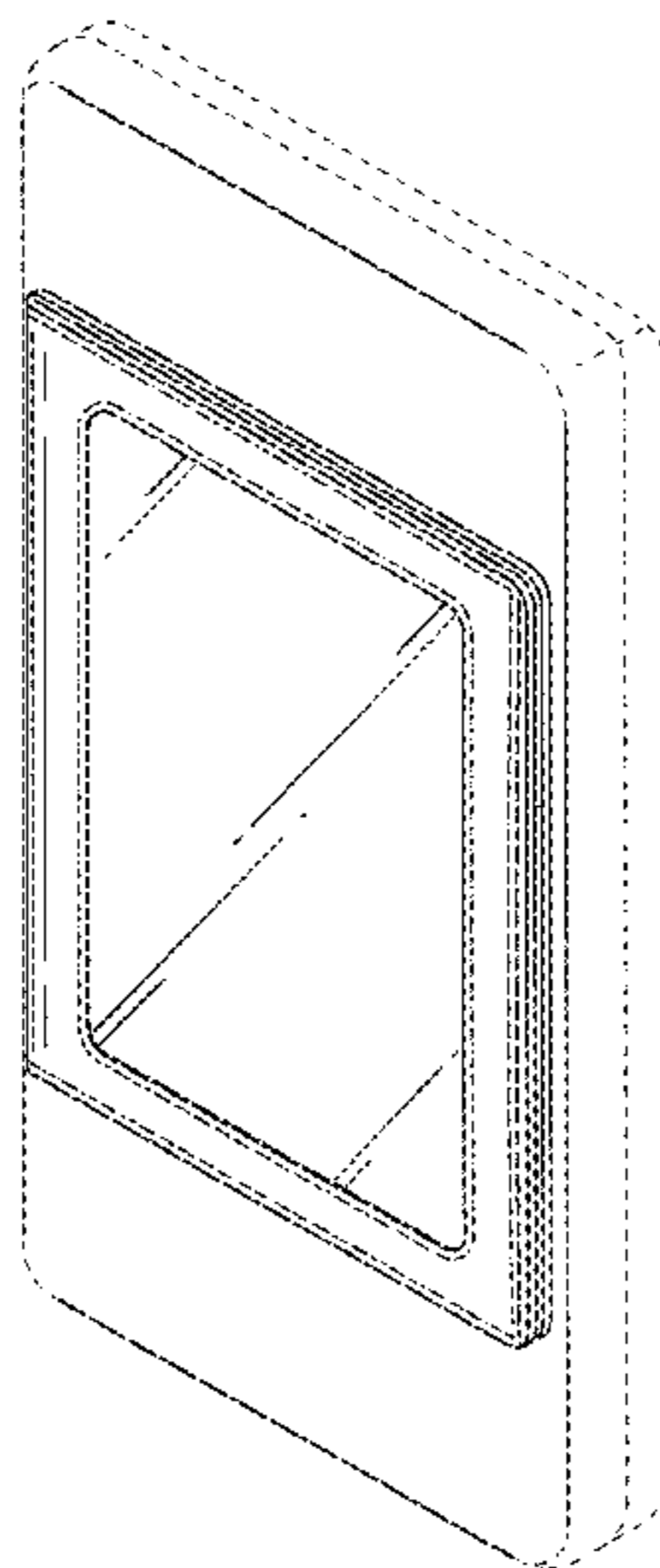
FIG. 1 is a perspective view in a closed position;
FIG. 2 is a front elevational view thereof;
FIG. 3 is a rear elevational view thereof;
FIG. 4 is a side elevational view thereof;
FIG. 5 is an opposite side elevational view thereof;
FIG. 6 is a top plan view thereof;
FIG. 7 is a bottom plan view thereof;
FIG. 8 is a perspective view in an opened position;
FIG. 9 is a front elevational view thereof;
FIG. 10 is a rear elevational view in the opened position;
FIG. 11 is a side elevational view in the opened position;
FIG. 12 is an opposite side elevational view thereof;
FIG. 13 is a top plan view in the opened position; and,
FIG. 14 is a bottom plan view thereof.
The broken lines showing portions of the cell phone wallet are for purposes of illustrating environment and forms no part of the claimed design.

(56) **References Cited**

U.S. PATENT DOCUMENTS

D13,040 S 7/1882 Brueck
658,394 A 9/1900 Peters
833,834 A 10/1906 Hille
940,853 A 11/1909 Cardwell
1,035,945 A 8/1912 Cardwell
1,035,946 A 8/1912 Cardwell
1,073,768 A 9/1913 Loveland
D45,677 S 4/1914 Shick
1,269,247 A 6/1918 Aslin
1,582,492 A 4/1926 Tantlinger
D101,819 S 11/1936 Miller
D112,415 S 11/1938 Zumft
D134,884 S 1/1943 Engelstein
D178,800 S 9/1956 McKinnon
D185,056 S 5/1959 Arkin

1 Claim, 10 Drawing Sheets



(56)

References Cited

U.S. PATENT DOCUMENTS

4,388,734	A	6/1983	Cowden	
D279,423	S	7/1985	Zucker	
4,705,086	A	11/1987	O'Neill	
D303,042	S	* 8/1989	Mackey D6/630
D308,887	S	6/1990	Wyant	
4,942,913	A	7/1990	Musso	
D311,815	S	11/1990	Balsley	
D314,213	S	1/1991	Bishop	
D334,588	S	4/1993	Okola	
D340,355	S	10/1993	Little	
D342,829	S	1/1994	Mitchell	
D367,956	S	* 3/1996	Peters D3/233
D410,774	S	6/1999	Inbert	
D434,899	S	12/2000	Kojoori	
D435,339	S	12/2000	Cleveland	
D435,340	S	12/2000	Kojoori	
6,427,836	B1	8/2002	Bolanos	
D471,704	S	3/2003	Moore	
D510,596	S	10/2005	Ong	
D527,899	S	9/2006	Morehead	
7,204,398	B1	4/2007	Smith, Sr.	
D551,446	S	9/2007	Elnekaveh	
7,496,971	B2	3/2009	Soto	
D594,656	S	6/2009	Wills	
D608,092	S	1/2010	Holzner et al.	
D619,806	S	7/2010	Franks	

D633,714	S	3/2011	Marshall	
8,047,364	B2	11/2011	Longinotti-Buitoni	
8,833,379	B1	9/2014	Kaplan	
2005/0126667	A1	6/2005	Bell	
2007/0057004	A1	3/2007	Butler et al.	
2007/0232372	A1	10/2007	Plaster	
2007/0262112	A1	11/2007	Butler et al.	
2008/0006355	A1	1/2008	Gomez Micone	
2008/0121322	A1	5/2008	Thomson	
2009/0050686	A1	2/2009	Kon et al.	
2009/0194571	A1	8/2009	Evans	
2011/0030860	A1	2/2011	Allen et al.	
2011/0057034	A1	3/2011	Maxwell	
2011/0277892	A1	11/2011	Black	
2012/0043234	A1	2/2012	Westrup	
2012/0050968	A1	3/2012	Child et al.	
2012/0168483	A1	7/2012	Jambunathan et al.	
2013/0140203	A1	6/2013	Chiang	

FOREIGN PATENT DOCUMENTS

DE	199107205	U1	7/1991
GB	2145622		4/1985
GB	2070518		11/1997
GB	4019846		5/2011
KR	300268261		6/2000
WO	D073447		3/2010
WO	2012087152		6/2012

* cited by examiner

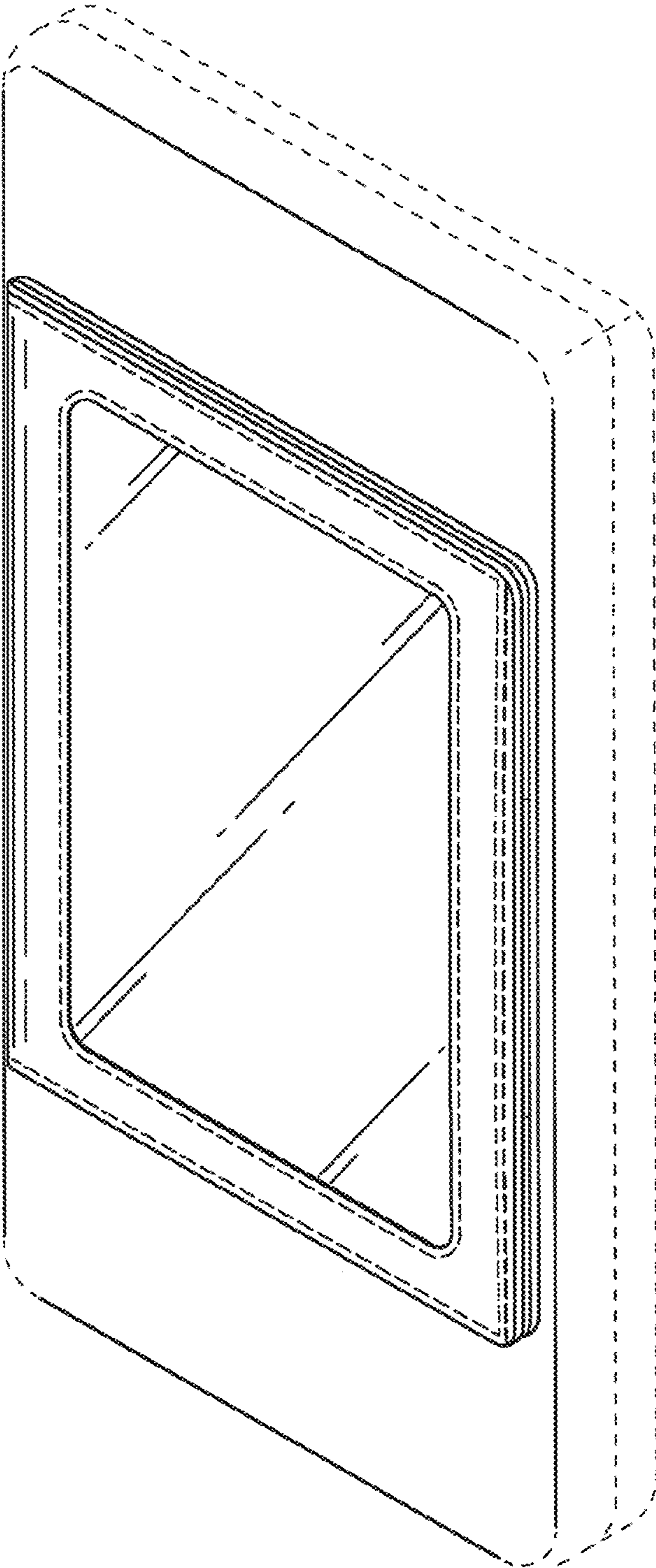


FIG. 1

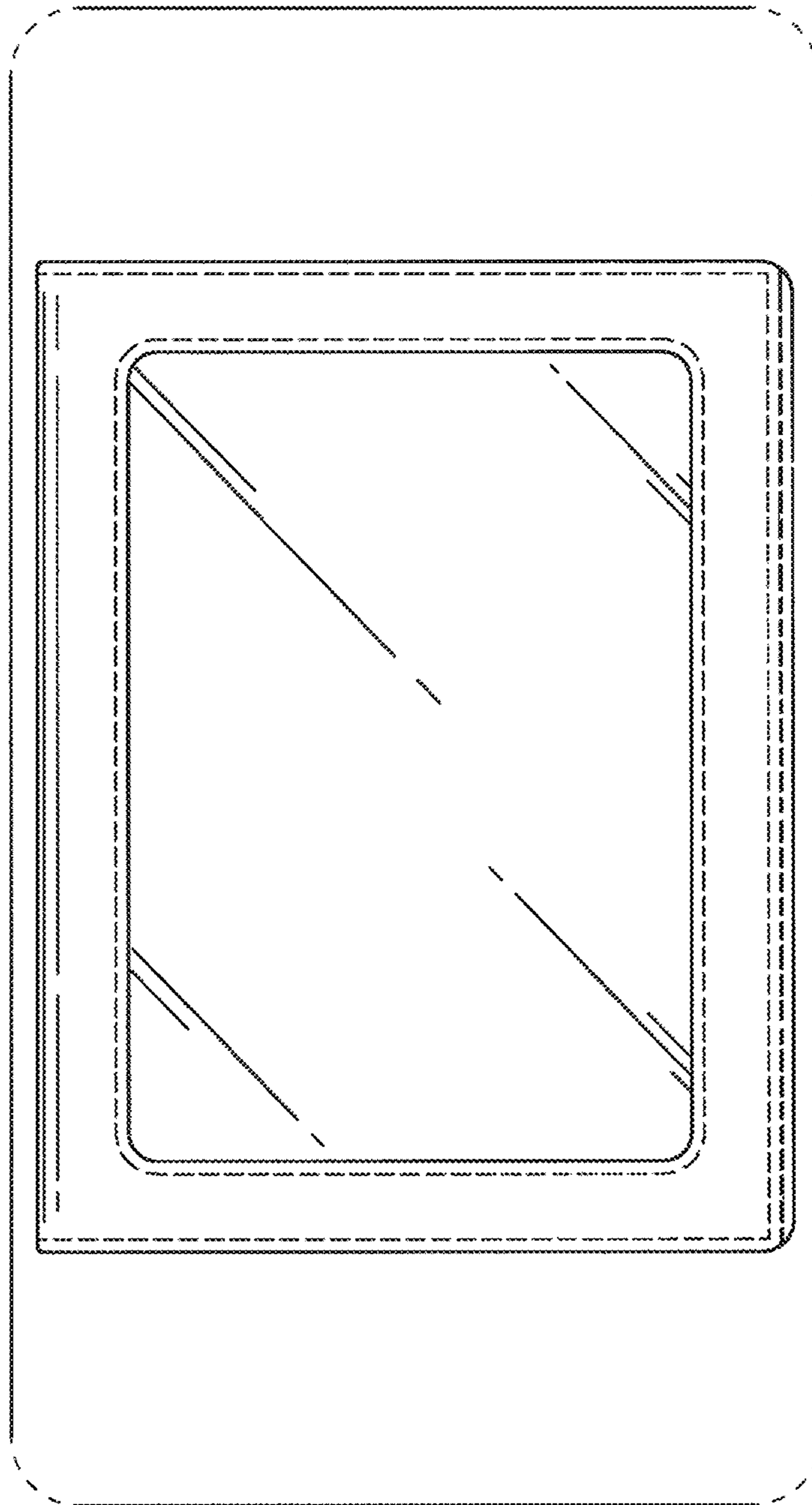


FIG. 2

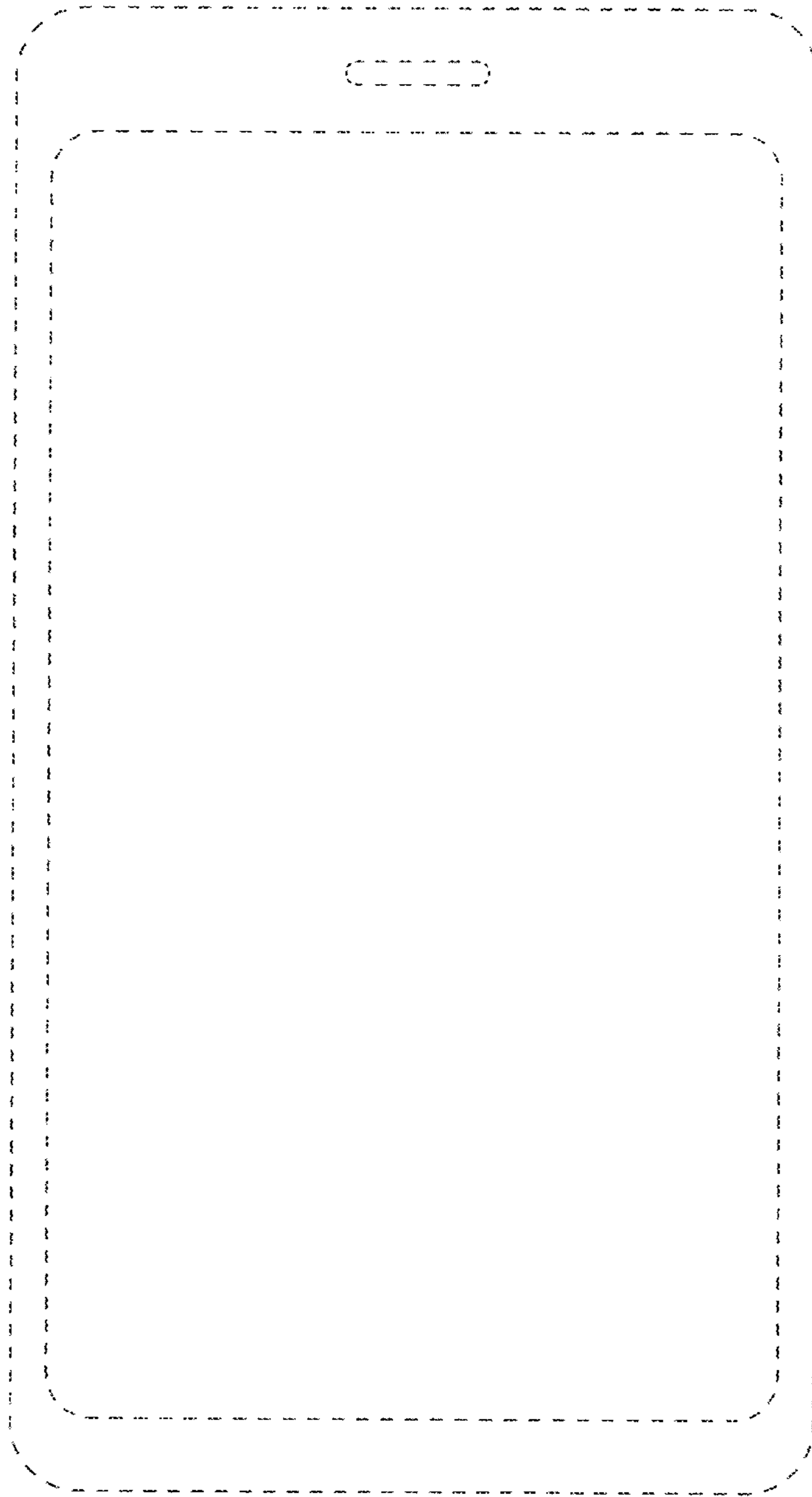


FIG. 3

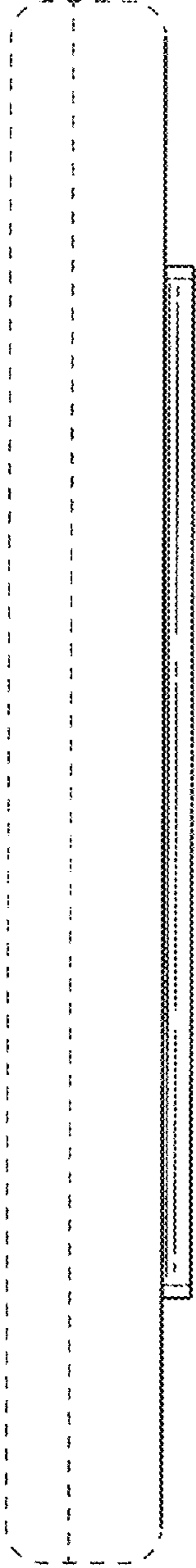


FIG. 4

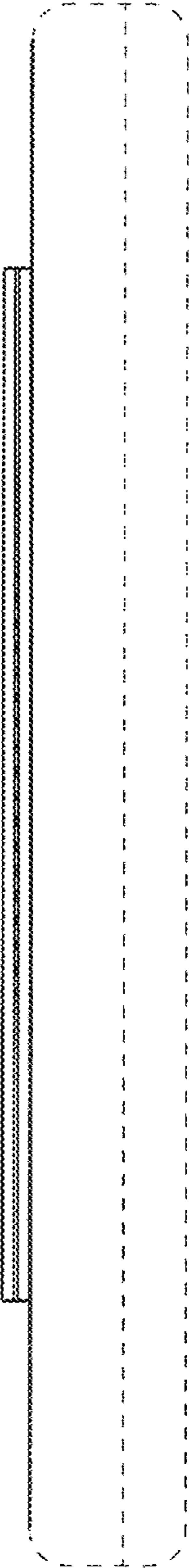


FIG. 5



FIG. 6

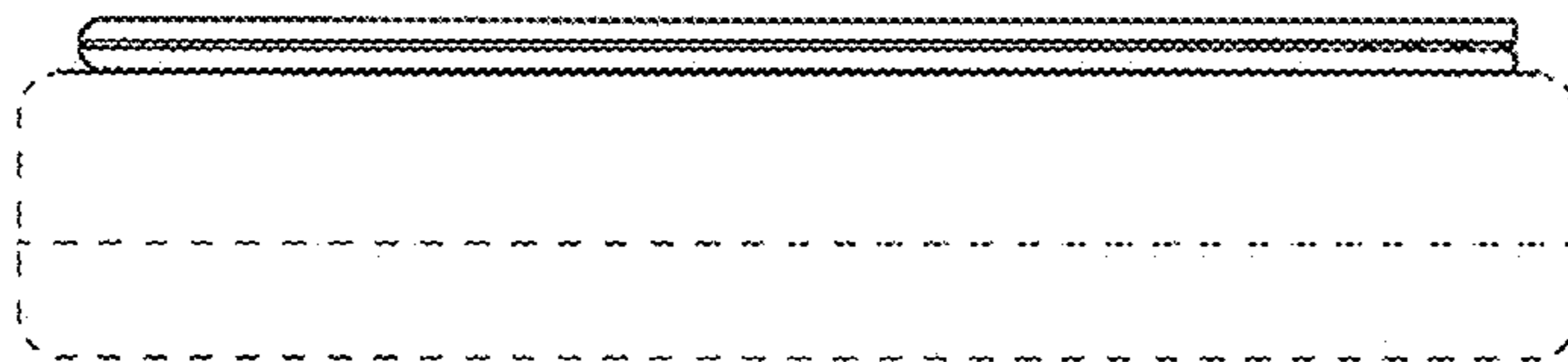


FIG. 7

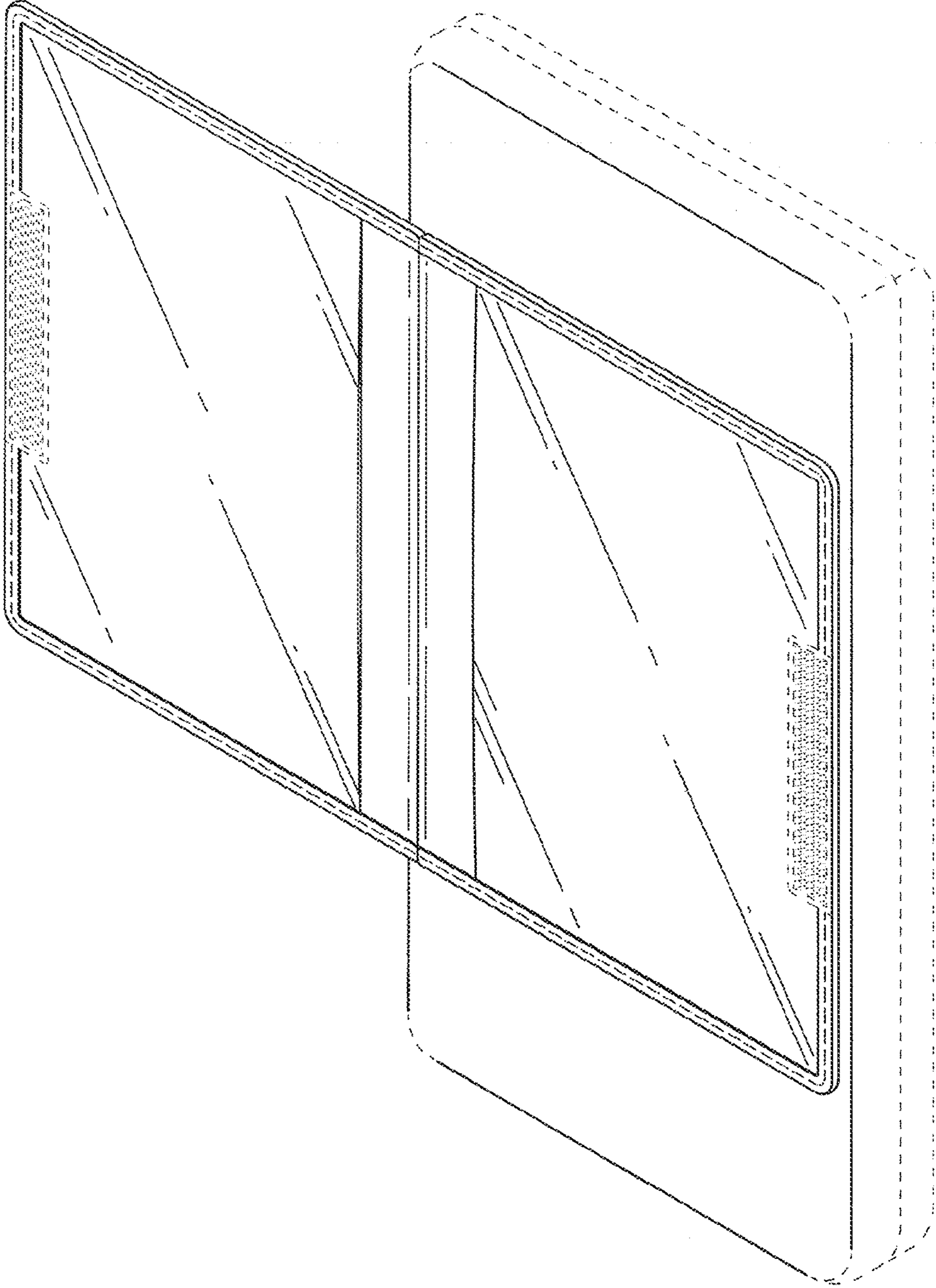


FIG. 8

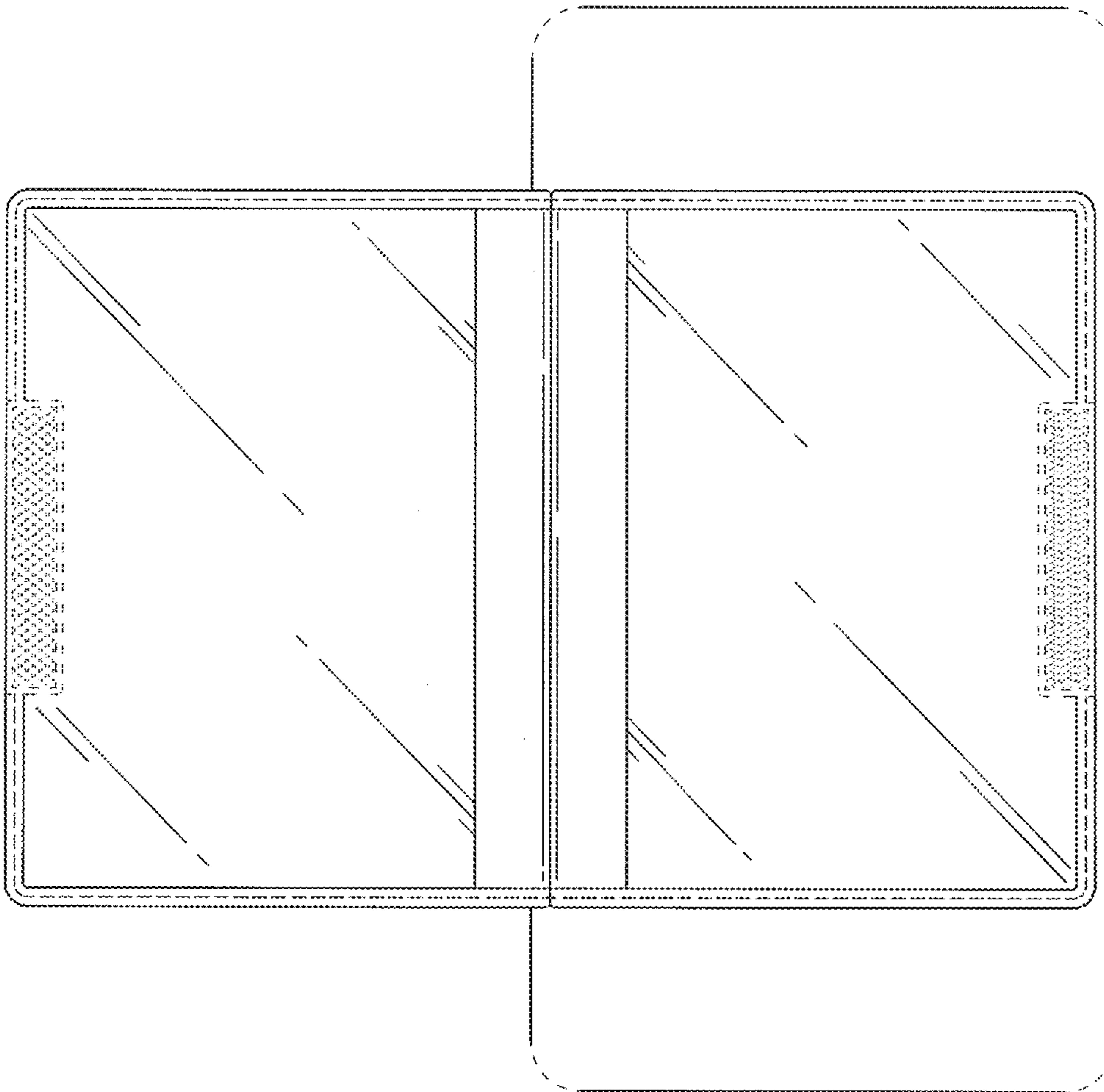


FIG. 9

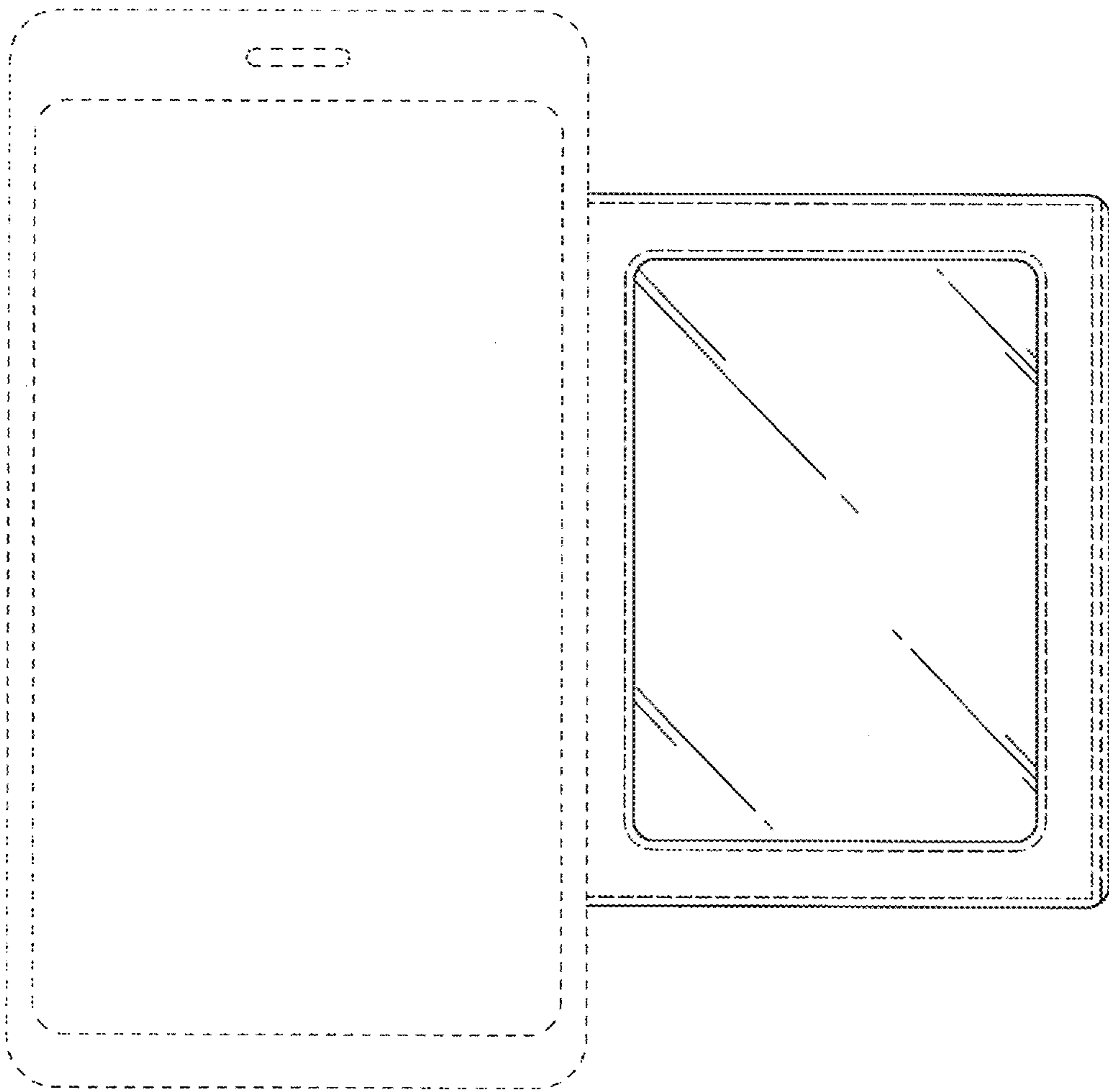


FIG. 10

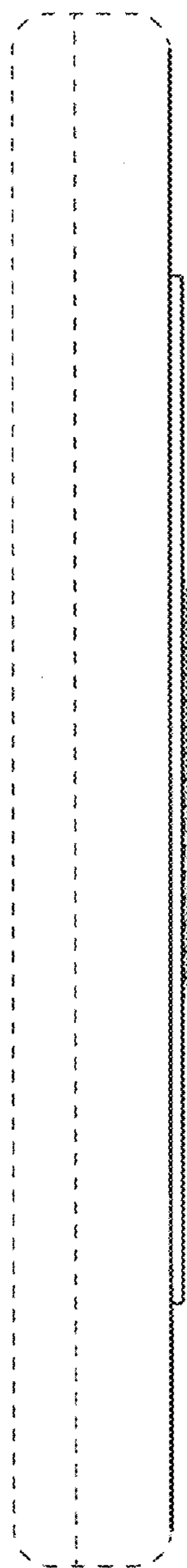


FIG. 11

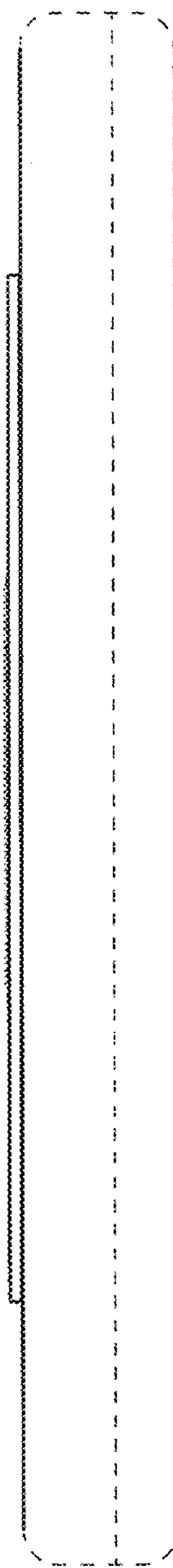


FIG. 12

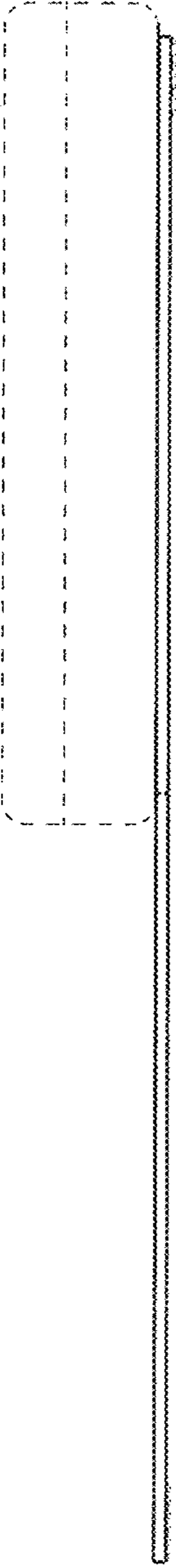


FIG. 13

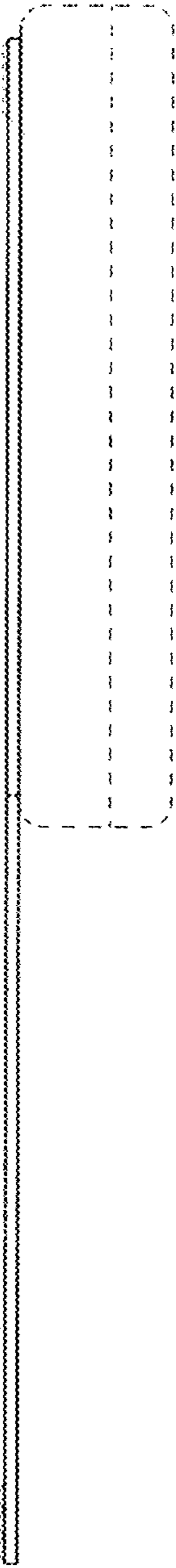


FIG. 14