



US00D754430S

(12) **United States Design Patent**  
**Abel**

(10) **Patent No.:** **US D754,430 S**  
(45) **Date of Patent:** **\*\* Apr. 26, 2016**

- (54) **SCISSOR SHOULDER HOLSTER**
- (71) Applicant: **Robert Abel**, Sacramento, CA (US)
- (72) Inventor: **Robert Abel**, Sacramento, CA (US)
- (\*\*) Term: **14 Years**
- (21) Appl. No.: **29/508,994**
- (22) Filed: **Nov. 13, 2014**
- (51) **LOC (10) Cl.** ..... **03-01**
- (52) **U.S. Cl.**  
USPC ..... **D3/224**
- (58) **Field of Classification Search**  
USPC ..... D3/215, 220, 224, 226, 230, 243, 249;  
D2/627; 150/102; 224/198, 260, 579,  
224/583, 604-605, 627, 647, 911, 602  
CPC ..... A45F 3/02; A45F 3/04; A45F 3/14;  
A45C 1/04  
See application file for complete search history.

(56) **References Cited**

**U.S. PATENT DOCUMENTS**

- 3,739,961 A \* 6/1973 Soukeras ..... A45C 1/04  
224/579
- 3,796,357 A \* 3/1974 Johnson ..... A45F 3/02  
224/602
- D245,461 S \* 8/1977 Jones, Jr. .... D3/230
- D343,733 S \* 2/1994 Brask ..... D3/230
- D555,355 S \* 11/2007 Ispan ..... D3/232
- D708,436 S \* 7/2014 Cariglio ..... D2/829

\* cited by examiner

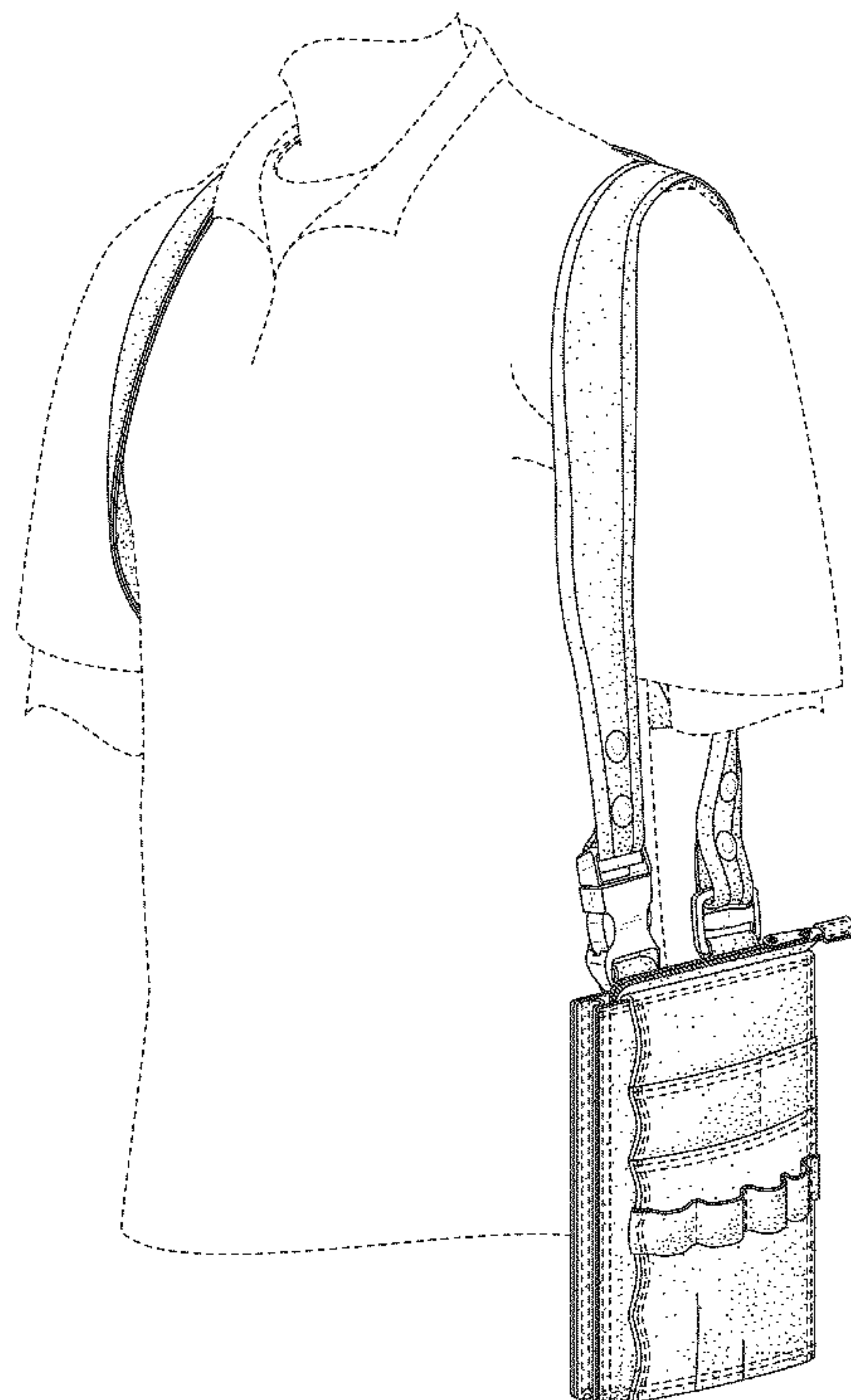
*Primary Examiner* — Catheri Oliver-Garcia  
(74) *Attorney, Agent, or Firm* — Craig A. Simmermon

(57) **CLAIM**  
The ornamental design for a scissor shoulder holster, as shown and described.

**DESCRIPTION**

FIG. 1 is a perspective view of a scissor shoulder holster as worn by a person showing my new design;  
 FIG. 2 is a perspective view of a scissor shoulder holster with scissors, combs, and hairclips stowed therein as worn by a person showing my new design;  
 FIG. 3 is a perspective view of a scissor shoulder holster showing my new design;  
 FIG. 4 is a left side elevation view of FIG. 3.  
 FIG. 5 is a right side elevation view of FIG. 3.  
 FIG. 6 is a front elevation view of FIG. 3.  
 FIG. 7 is a front elevation view of FIG. 3 defining cross sectional planes 10-10, 11-11, and 12-12.  
 FIG. 8 is a top plan view of FIG. 3.  
 FIG. 9 is a bottom plan view of FIG. 3.  
 FIG. 10 is a cross sectional view taken from lines 10-10 in FIG. 7.  
 FIG. 11 is a cross sectional view taken from lines 11-11 in FIG. 7; and,  
 FIG. 12 is a cross sectional view taken from lines 12-12 in FIG. 7.  
 The broken lines depict environmental structure and form no part of the claimed design.

**1 Claim, 10 Drawing Sheets**



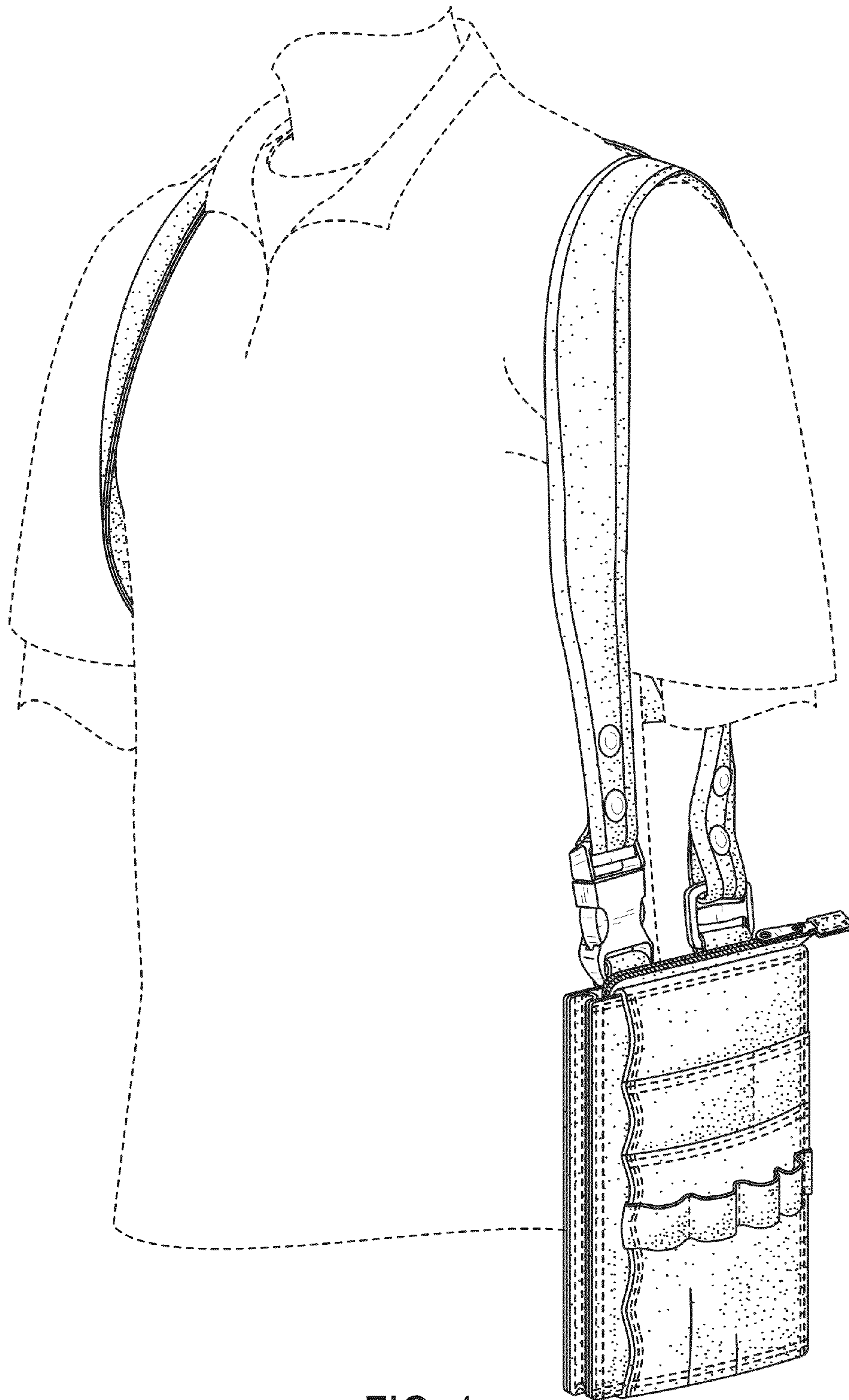


FIG. 1

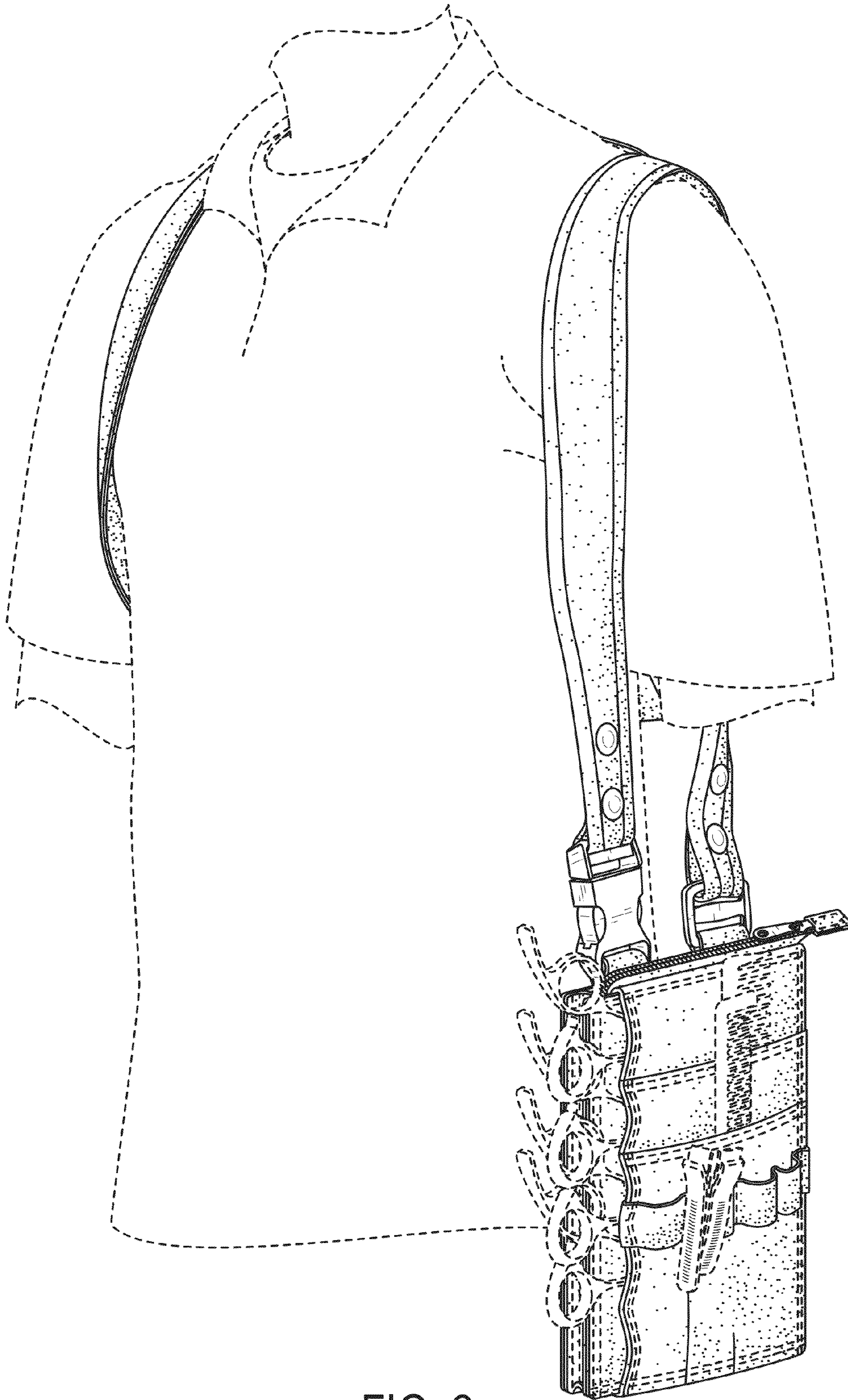


FIG. 2



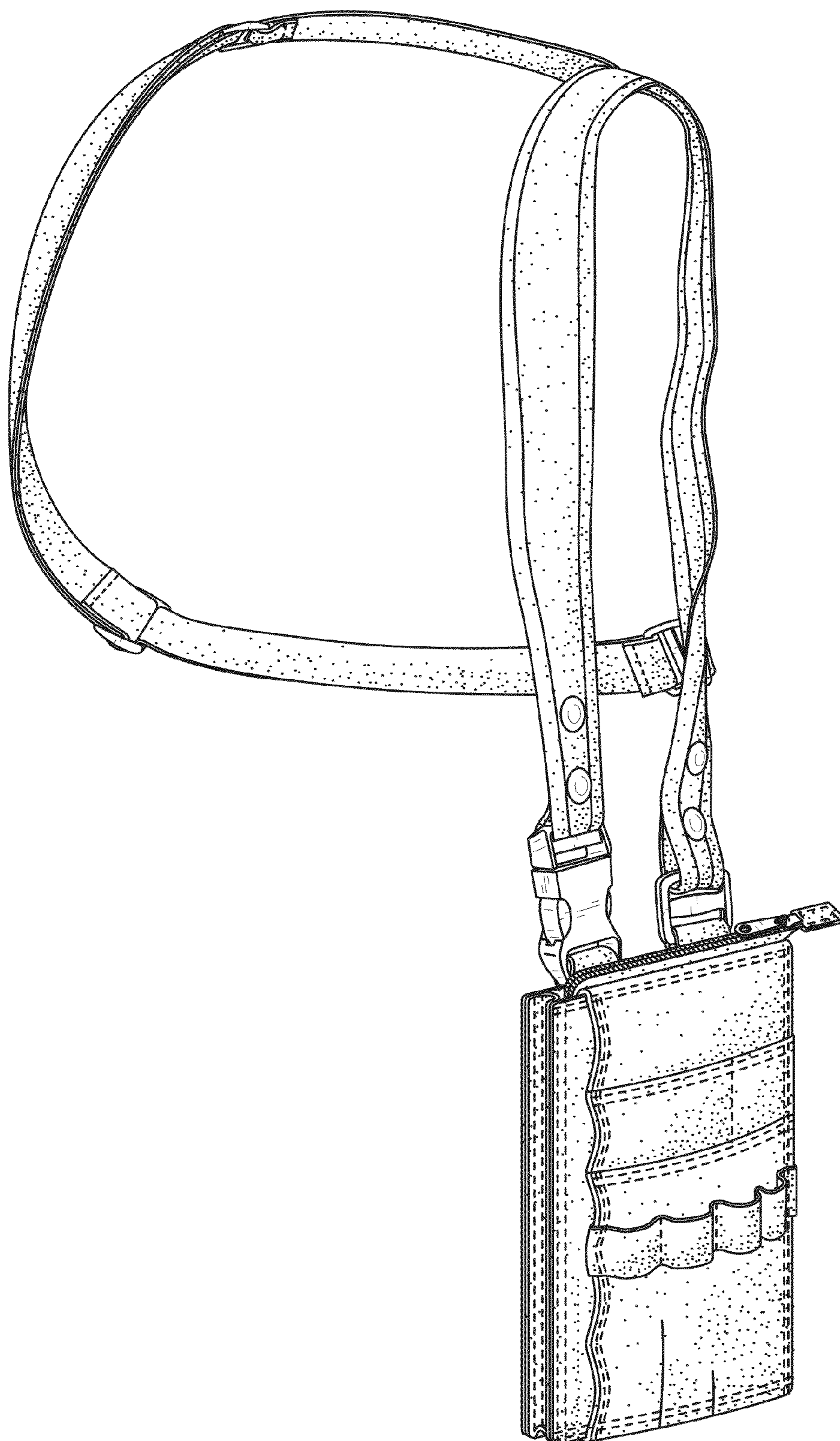


FIG. 3

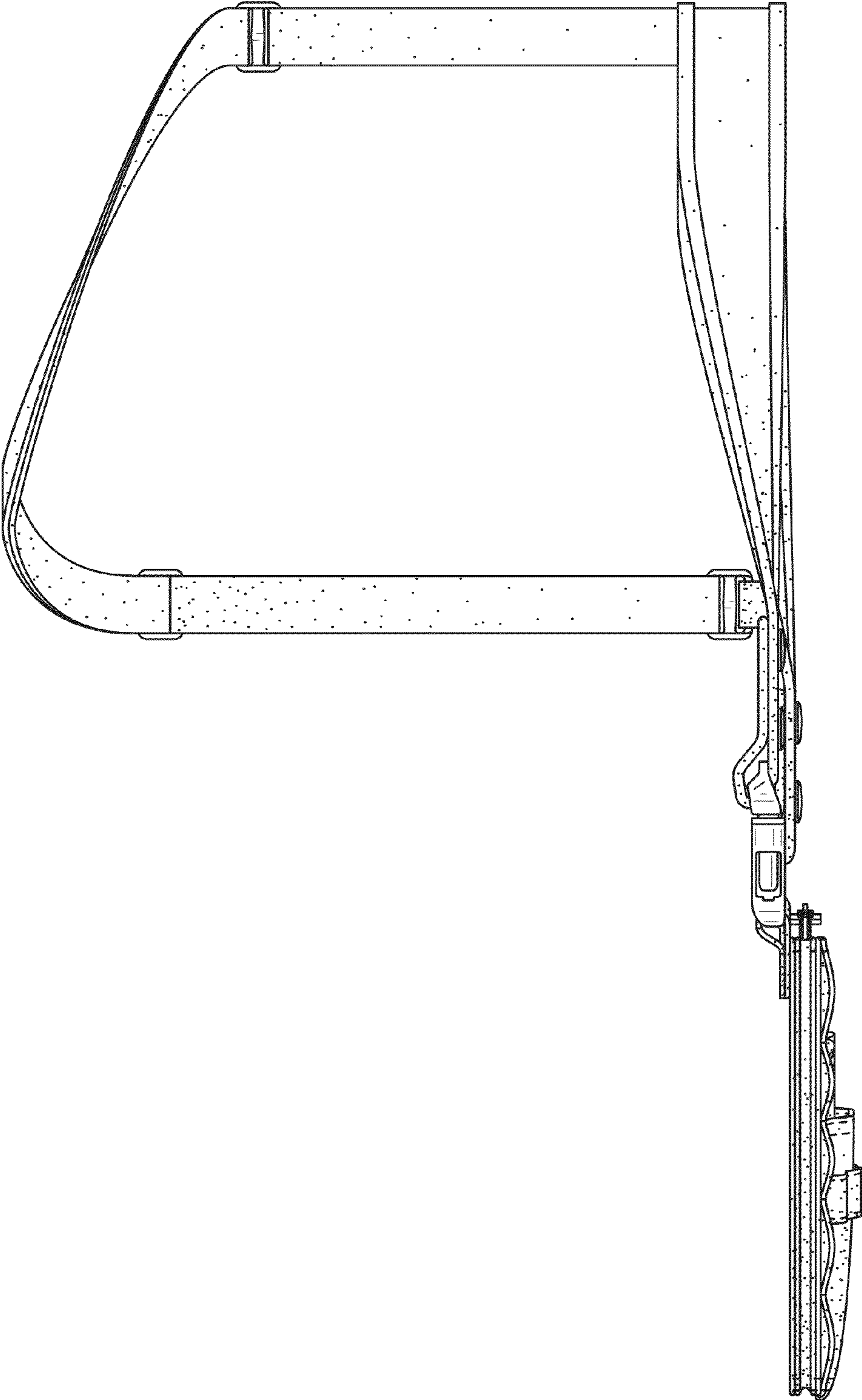


FIG. 4

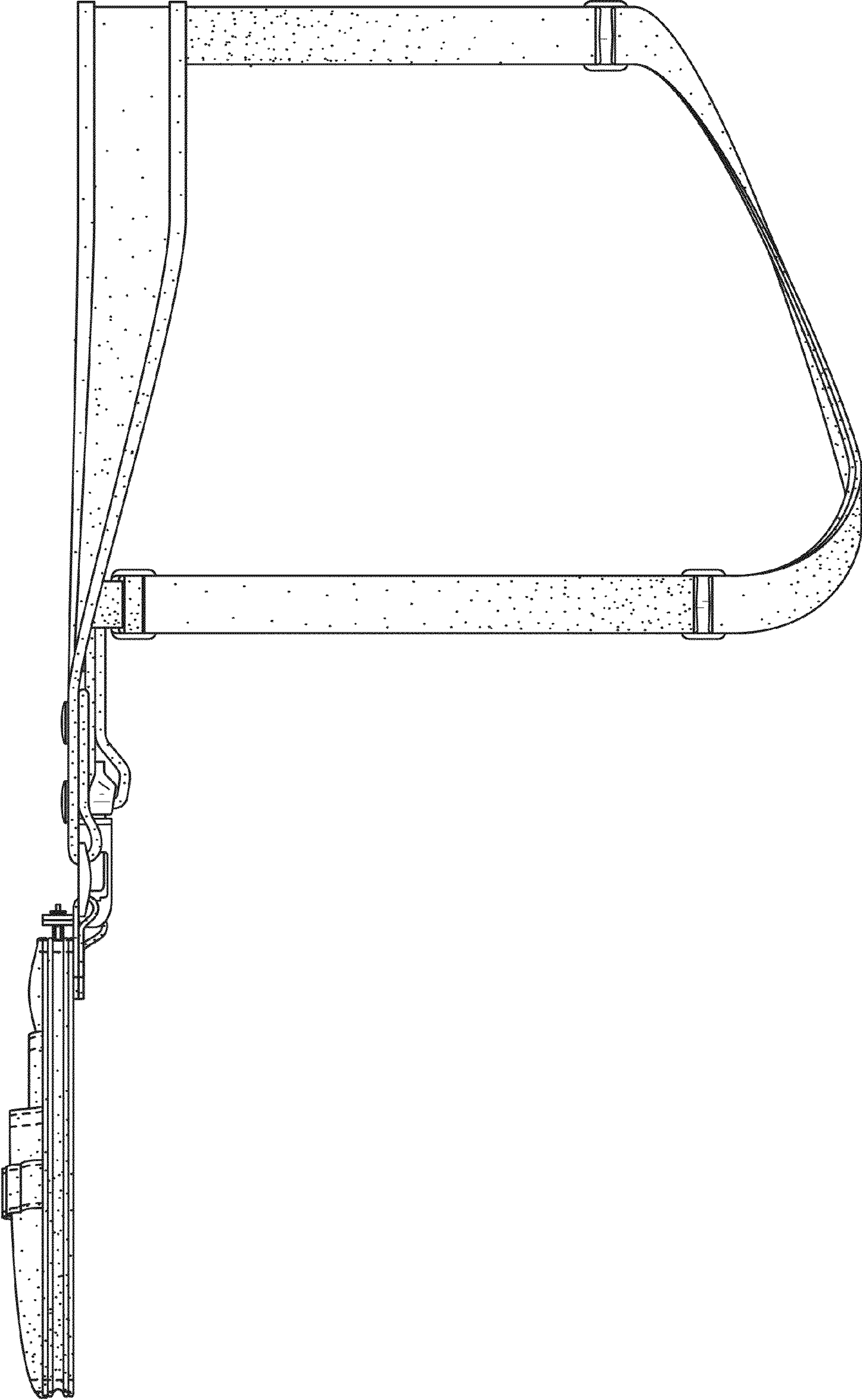


FIG. 5



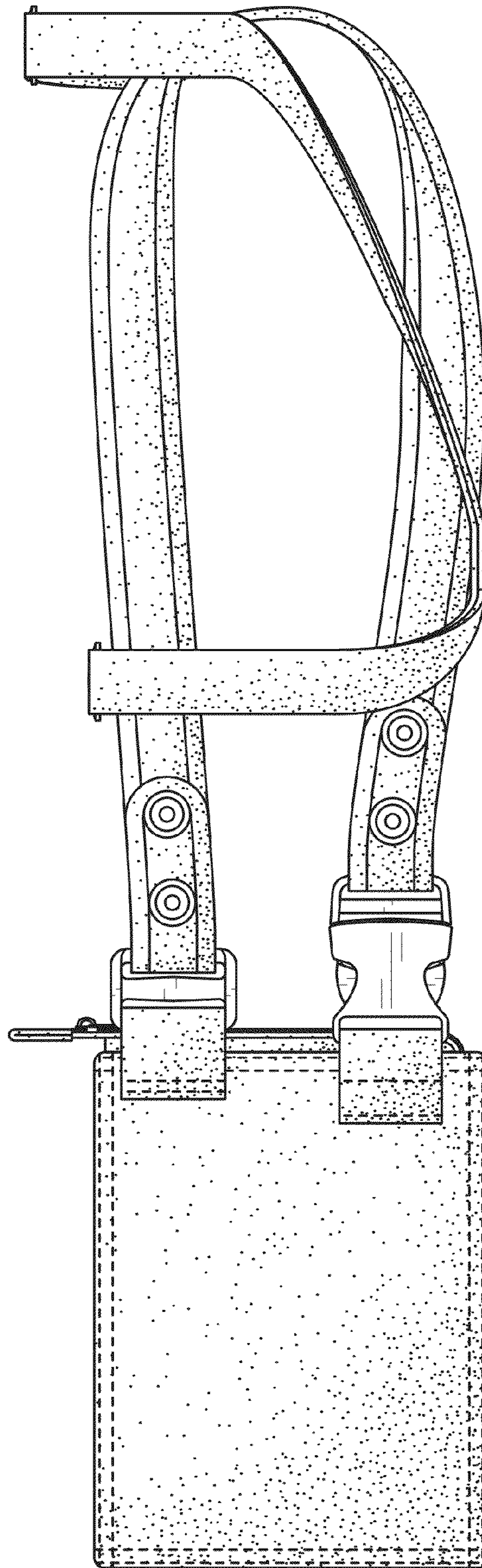


FIG. 6

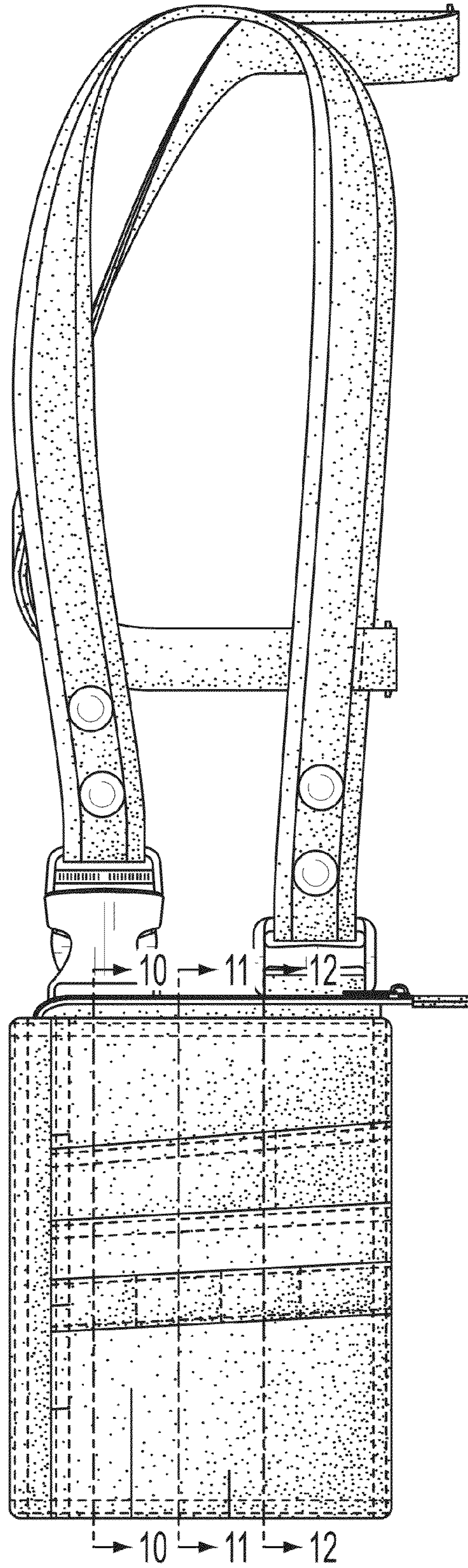


FIG. 7



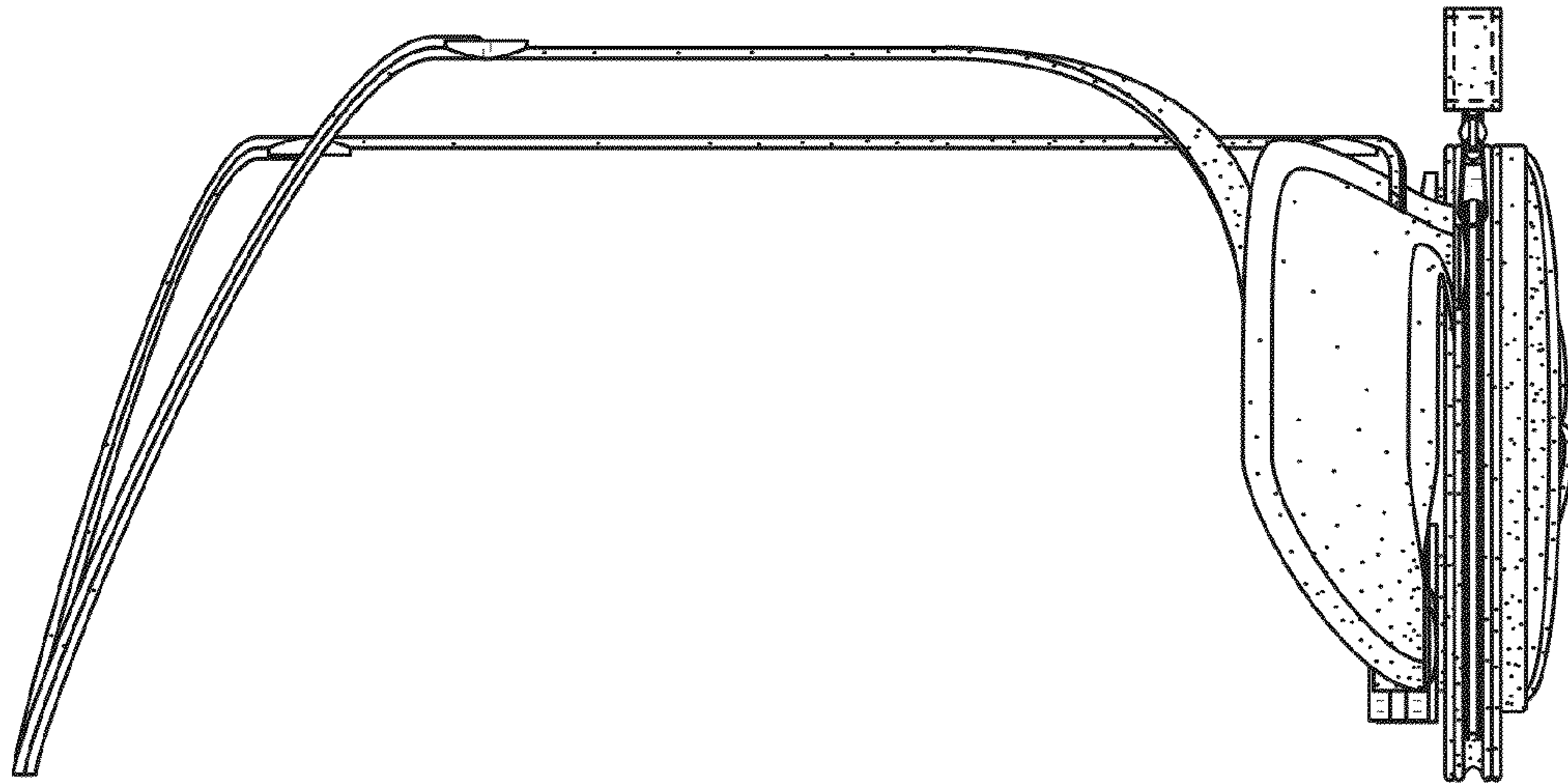


FIG. 8

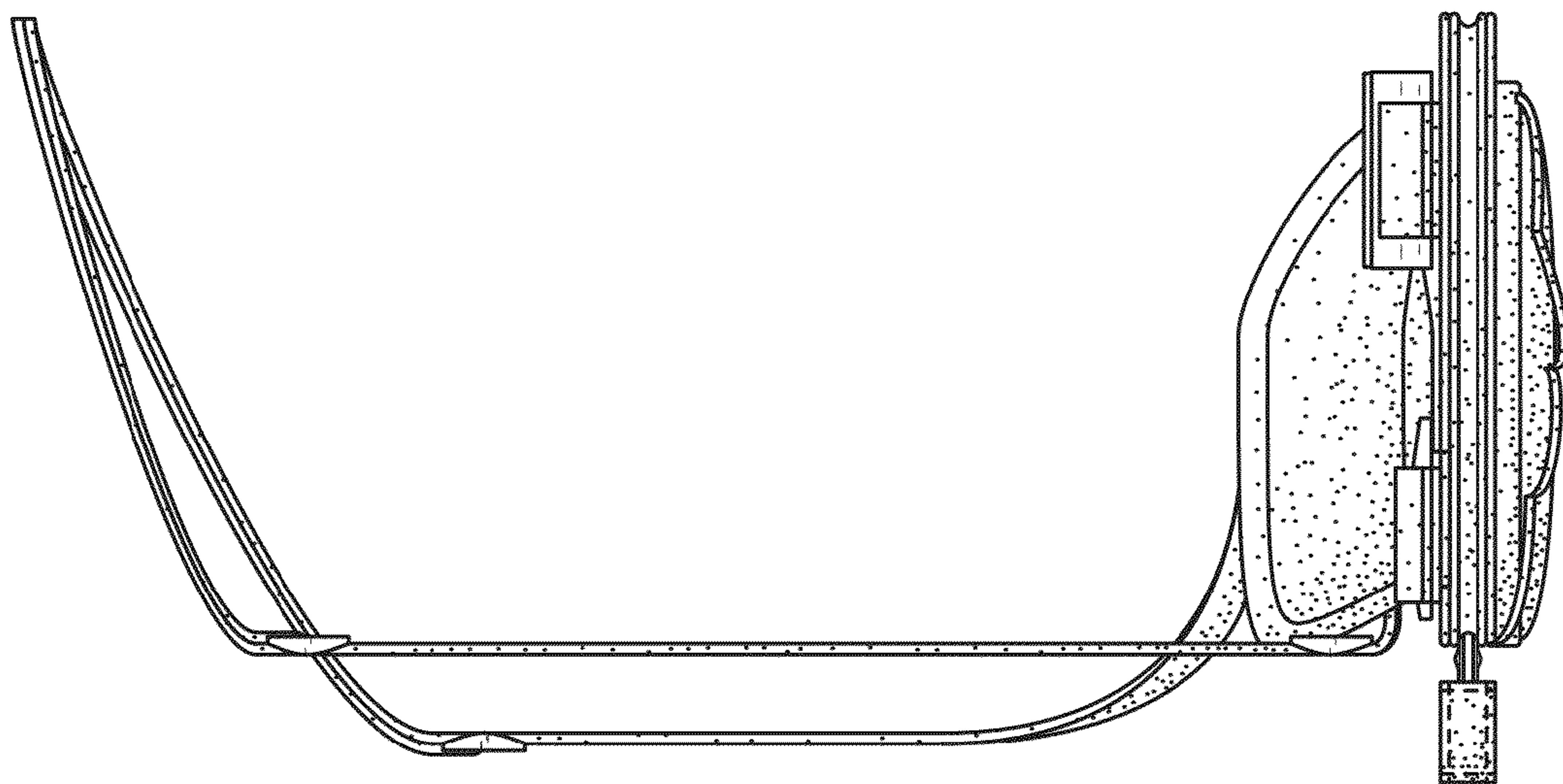


FIG. 9

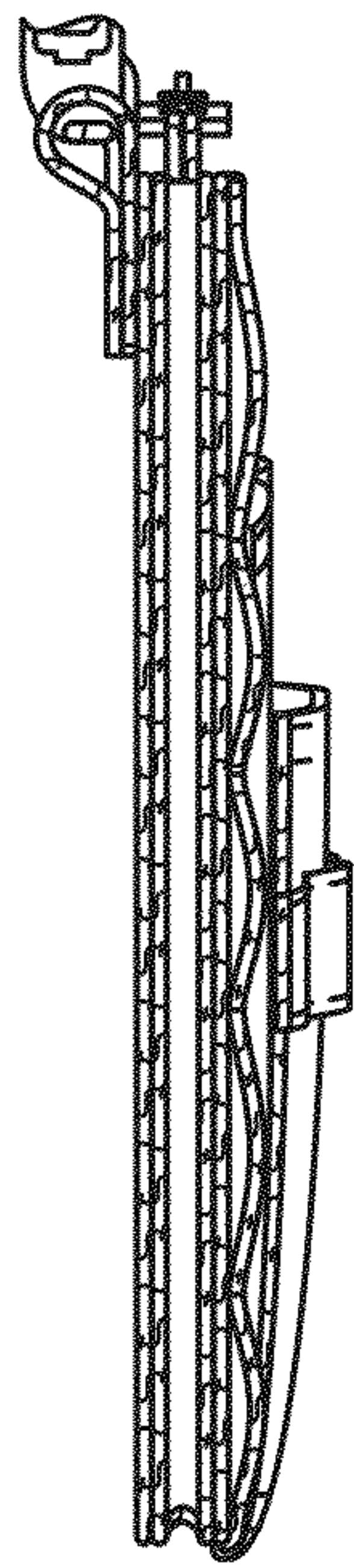


FIG. 10

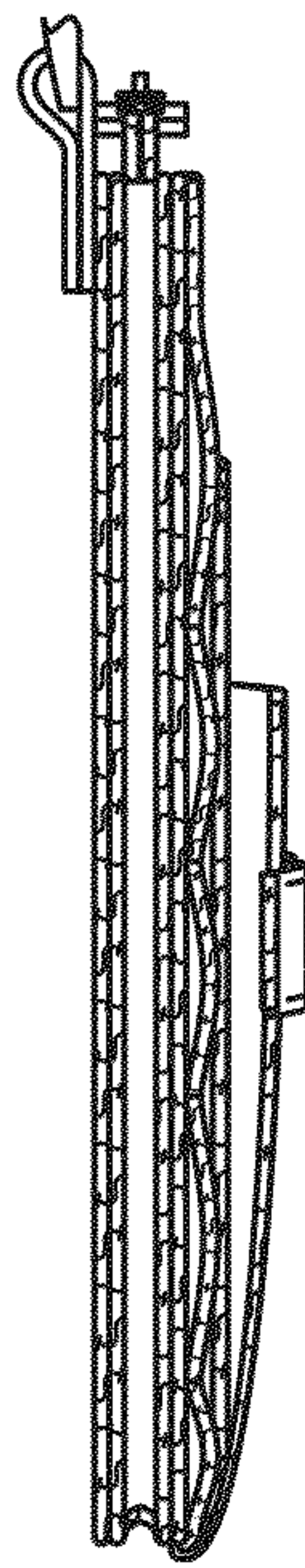


FIG. 11

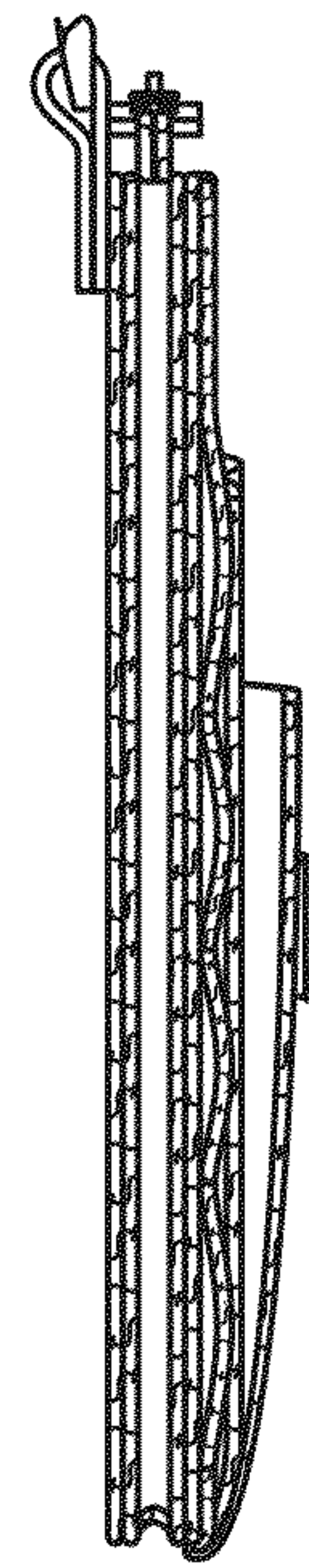


FIG. 12