



US00D754429S

(12) **United States Design Patent**
Johns et al.

(10) **Patent No.:** **US D754,429 S**
(45) **Date of Patent:** **** Apr. 26, 2016**

(54) **FISHING ROD HOLDER AND BELT**
(71) Applicant: **Michael Johns**, Bozeman, MT (US)
(72) Inventors: **Michael Johns**, Bozeman, MT (US);
David Yakos, Bozeman, MT (US); **Ross Walker**, Bozeman, MT (US)

6,591,542 B1 * 7/2003 Jordan A01K 97/10
224/922
D504,483 S * 4/2005 Leung D3/221
D523,109 S * 6/2006 Palmer, Jr. D22/147
D565,292 S * 4/2008 Bush D3/221
D616,643 S * 6/2010 Casper D3/221
D720,528 S * 1/2015 Young D3/221

* cited by examiner

(73) Assignee: **Michael Johns**, Bozeman, MT (US)

Primary Examiner — Catheri Oliver-Garcia
(74) *Attorney, Agent, or Firm* — Husch Blackwell LLP

(**) Term: **14 Years**

(57) **CLAIM**

(21) Appl. No.: **29/499,825**

The ornamental design for a fishing rod holder and belt, as shown and described.

(22) Filed: **Aug. 19, 2014**

DESCRIPTION

(51) **LOC (10) Cl.** **03-01**

(52) **U.S. Cl.**
USPC **D3/221; D22/147**

(58) **Field of Classification Search**
USPC D3/221; 43/21.2; 224/219, 222, 251,
224/269, 245, 661, 673, 922, 200;
D22/147-148
CPC A01K 97/10; A01K 97/10; A45F 5/00
See application file for complete search history.

FIG. 1 is a perspective view of the design showing a fishing rod holder and belt;
FIG. 2 is a front elevational view of the design shown in FIG. 1;
FIG. 3 is a top plan view of the design shown in FIG. 2;
FIG. 4 is a rear elevational view of the design shown in FIG. 2;
FIG. 5 is a bottom plan view of the design shown in FIG. 4;
FIG. 6 is a right side elevational view of the design shown in FIG. 2; and,
FIG. 7 is a left side elevational view of the design shown in FIG. 2.

Shading is not part of the design but only to illustrate curvatures and surface design.

The features shown in broken lines depict environmental subject matter only and form no part of the claimed design.

(56) **References Cited**

U.S. PATENT DOCUMENTS

D298,699 S * 11/1988 Glawe D3/221
D318,954 S * 8/1991 Parkhurst D3/221
6,237,821 B1 * 5/2001 Owen A01K 97/10
224/197
D464,193 S * 10/2002 Leung D3/221

1 Claim, 4 Drawing Sheets

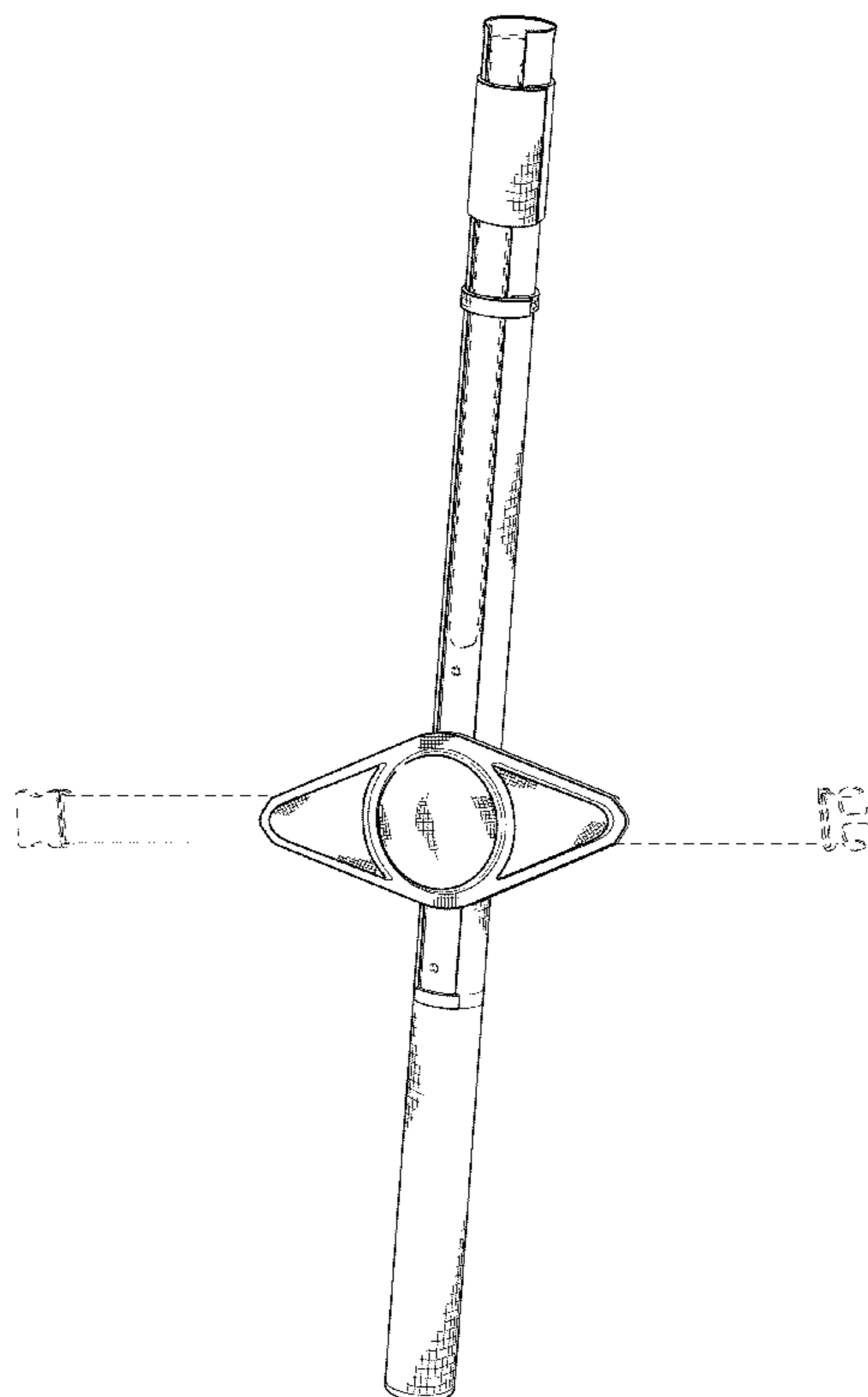


Fig. 1

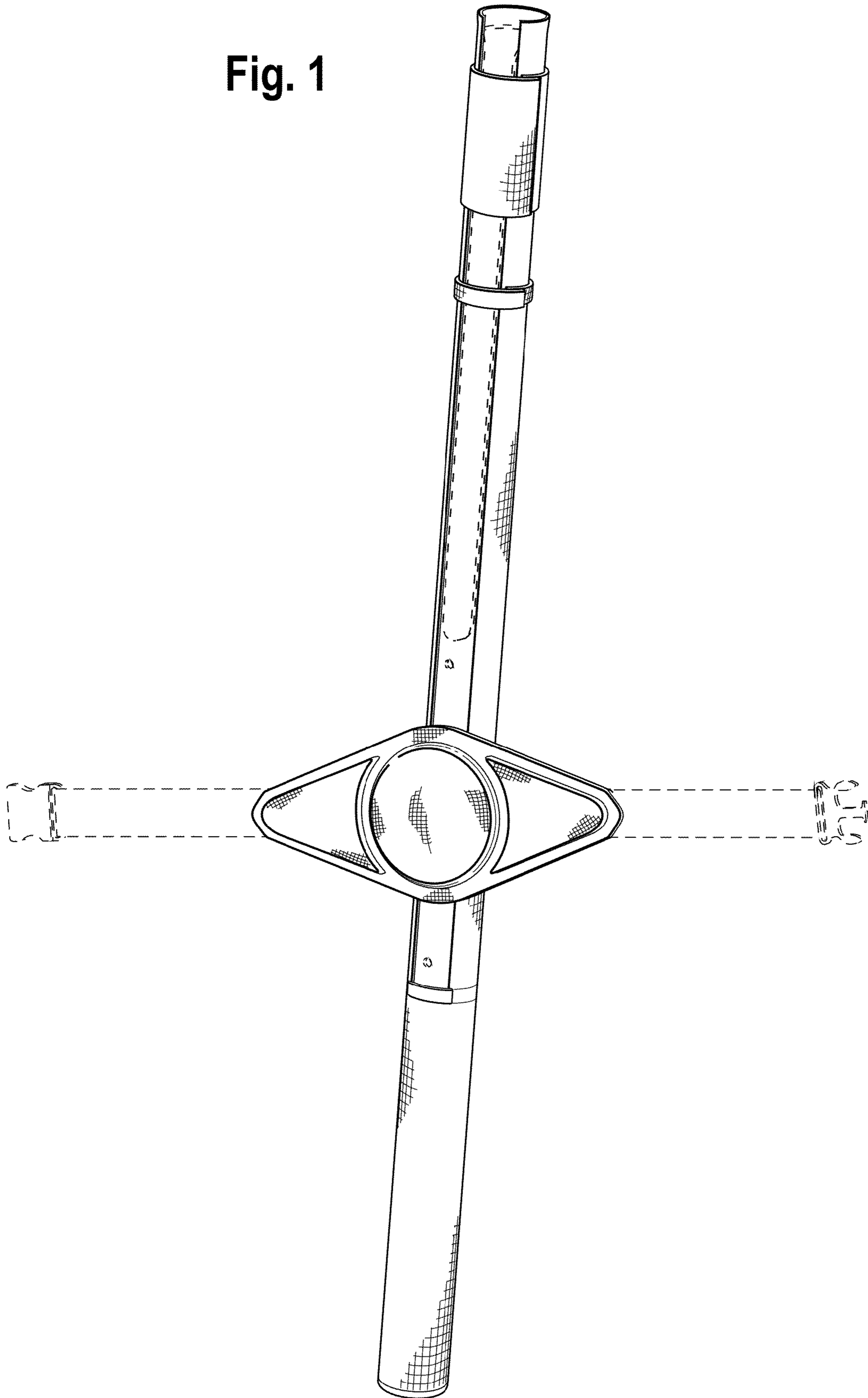


Fig. 3

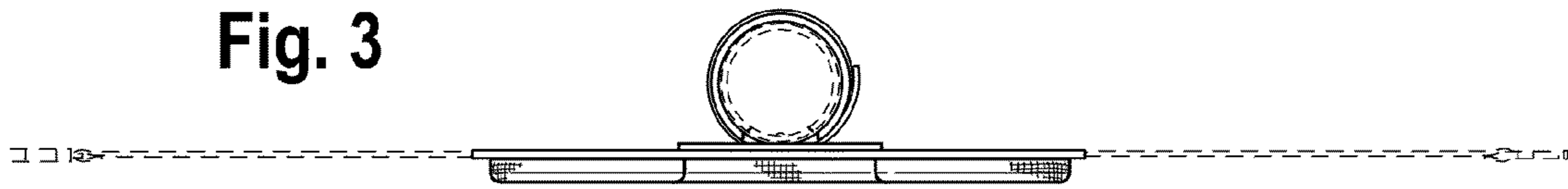


Fig. 2

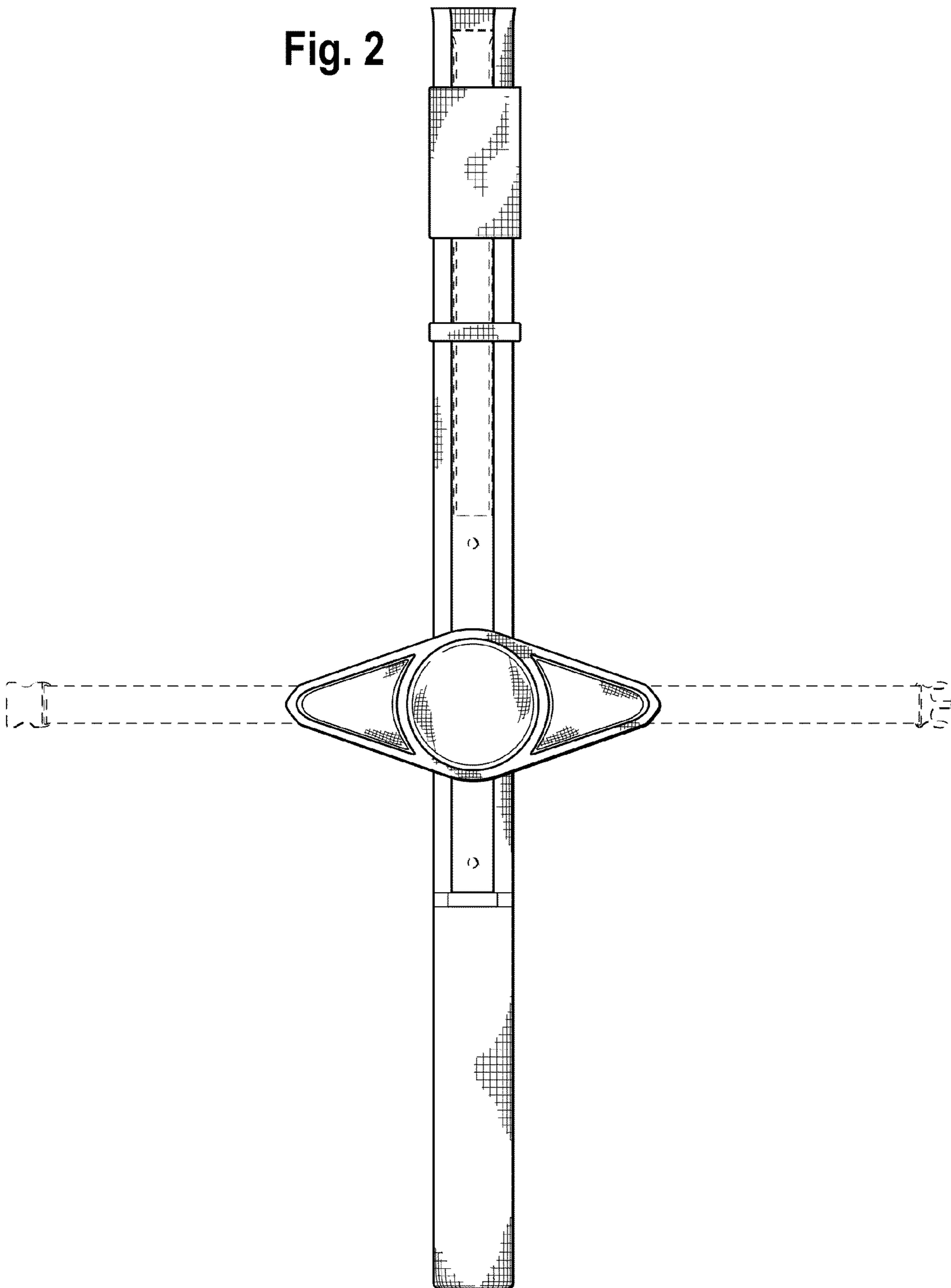


Fig. 4

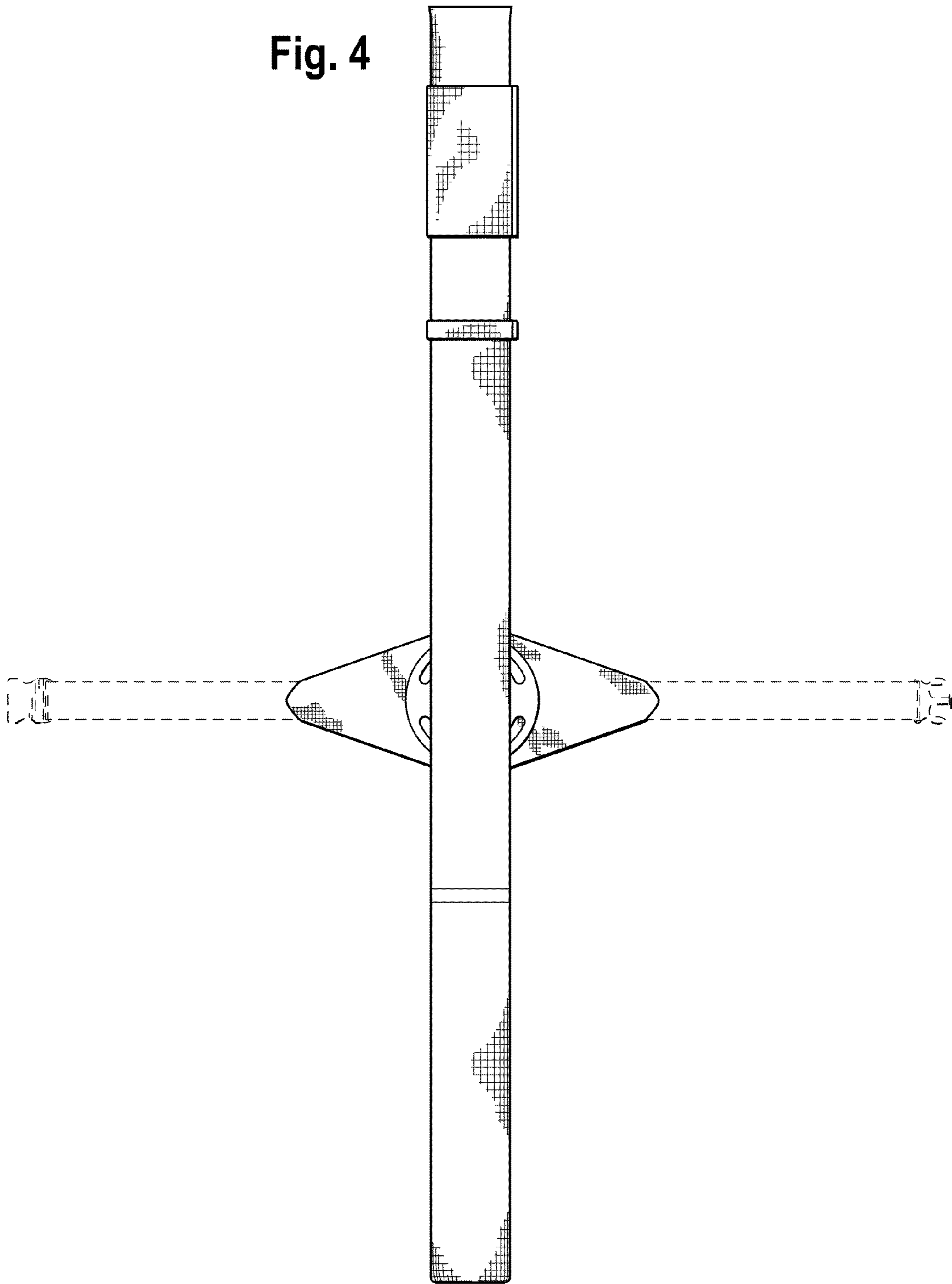


Fig. 5

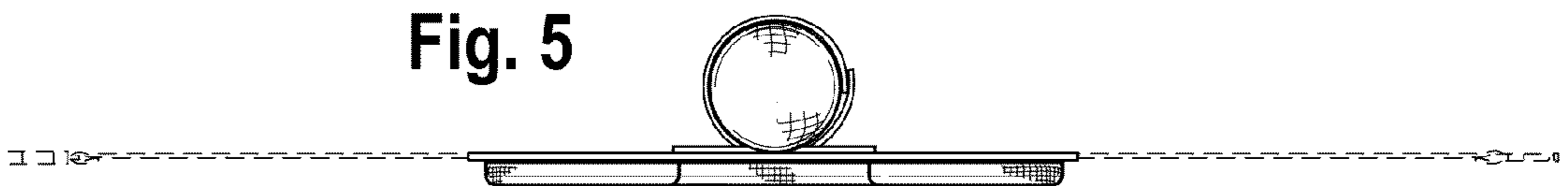


Fig. 6

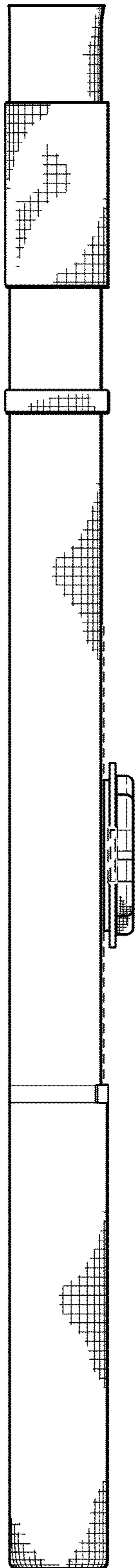


Fig. 7

