



US00D754428S

(12) **United States Design Patent**  
**Tunney**

(10) **Patent No.:** **US D754,428 S**  
(45) **Date of Patent:** **\*\* Apr. 26, 2016**

- (54) **POCKET KEY ORGANIZER**
- (71) Applicant: **Michael Tunney**, Mount Prospect, IL (US)
- (72) Inventor: **Michael Tunney**, Mount Prospect, IL (US)
- (73) Assignee: **KEYSMART, LLC**, Broadview, IL (US)
- (\*\*) Term: **15 Years**
- (21) Appl. No.: **29/531,323**
- (22) Filed: **Jun. 25, 2015**
- (51) **LOC (10) Cl.** ..... **03-01**
- (52) **U.S. Cl.**  
USPC ..... **D3/207**
- (58) **Field of Classification Search**  
USPC ..... D3/207-212; 70/456 B, 457, 458, 408;  
D13/168; D8/347; D10/104; D14/496;  
206/37.1, 37.5  
CPC ..... H04B 1/034; F04B 15/00; A44B 15/00  
See application file for complete search history.

- (56) **References Cited**  
U.S. PATENT DOCUMENTS  
  
D3,942 S 3/1870 Elwell  
1,669,945 A \* 5/1928 Michailovsky ..... A45C 11/324  
70/456 R

(Continued)

- FOREIGN PATENT DOCUMENTS  
  
GB 856223 12/1960
- OTHER PUBLICATIONS  
Able Home Aides, "Able Home Aides Product List", Keys and Holders for Easy Turning from AHA, available at <http://www.ablehomeaides.com/keyholders.html>, printed Nov. 24, 2011, (5 pages).

ablehomeaides.com/keyholders.html, printed Nov. 24, 2011, (5 pages).

(Continued)

*Primary Examiner* — Ralf Seifert  
(74) *Attorney, Agent, or Firm* — Maxwell J. Petersen

(57) **CLAIM**  
The ornamental design for a pocket key organizer, substantially as shown and described.

**DESCRIPTION**

FIG. 1 is a front perspective view showing the pocket key organizer according to a preferred embodiment of this invention.

FIG. 2 is a left side view of the pocket key organizer.

FIG. 3 is a right side view of the pocket key organizer.

FIG. 4 is a top view of the pocket key organizer.

FIG. 5 is a bottom view of the pocket key organizer.

FIG. 6 is a front view of the pocket key organizer.

FIG. 7 is a rear view of the pocket key organizer.

FIG. 8 is a cross-sectional view of the pocket key organizer along the line identified in FIG. 7.

FIG. 9 is a front perspective view of the pocket key organizer.

FIG. 10 is a front view of the pocket key organizer.

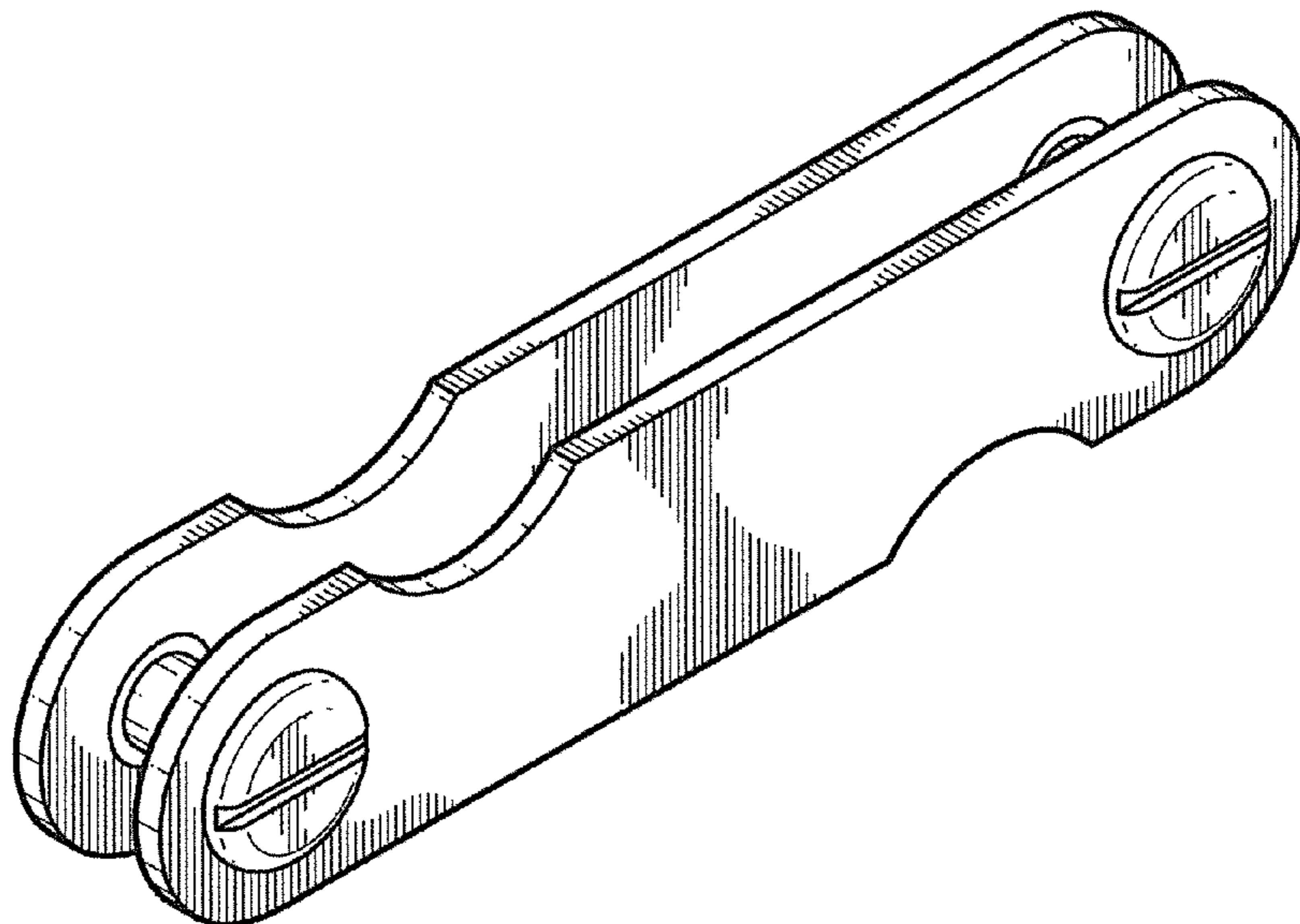
FIG. 11 is a front perspective view of the pocket key organizer; and,

FIG. 12 is a front view of the pocket key organizer.

Features shown in broken lines in FIGS. 9-12 of the drawings are for illustrating the environmental structure and form no part of the claimed design.

Posts shown in FIGS. 2-5 and 8 of the drawings are shown broken away to indicate indeterminate length, it being understood that the posts have a uniform shape and appearance throughout their length.

**1 Claim, 6 Drawing Sheets**







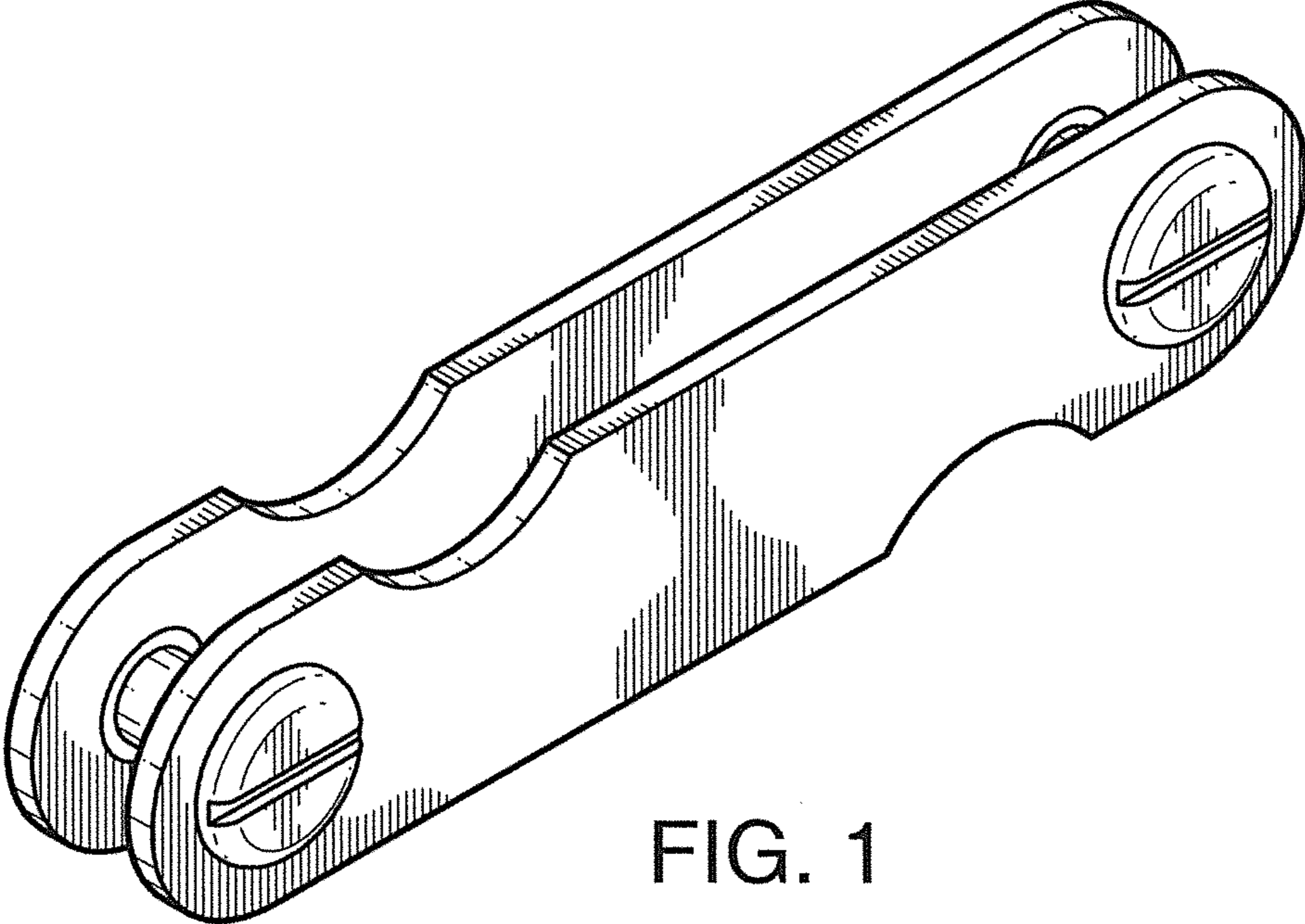


FIG. 1

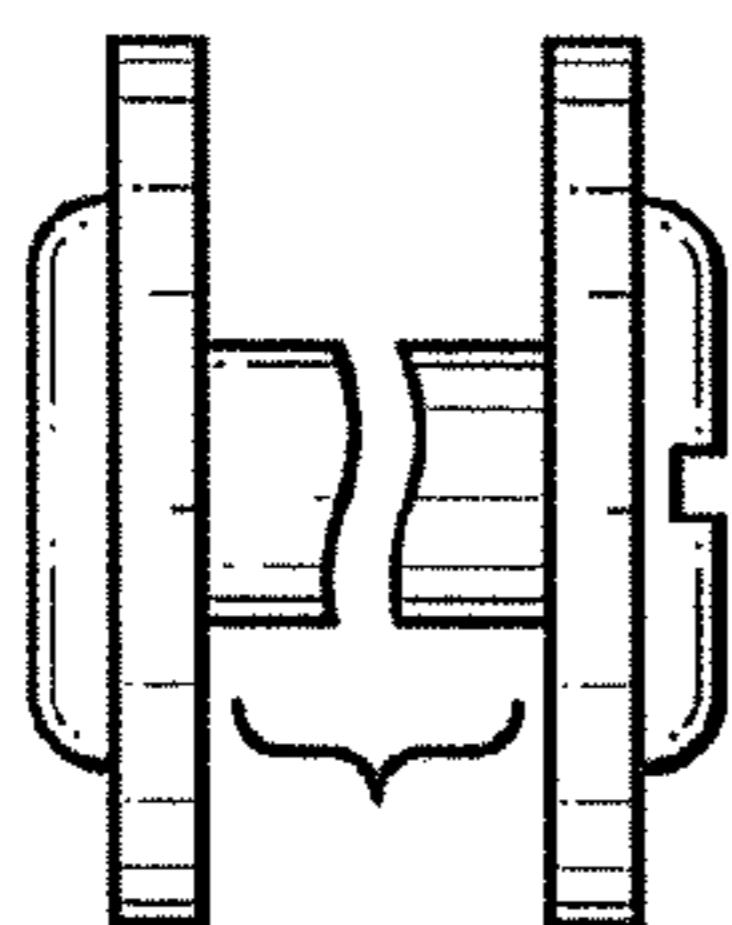


FIG. 2

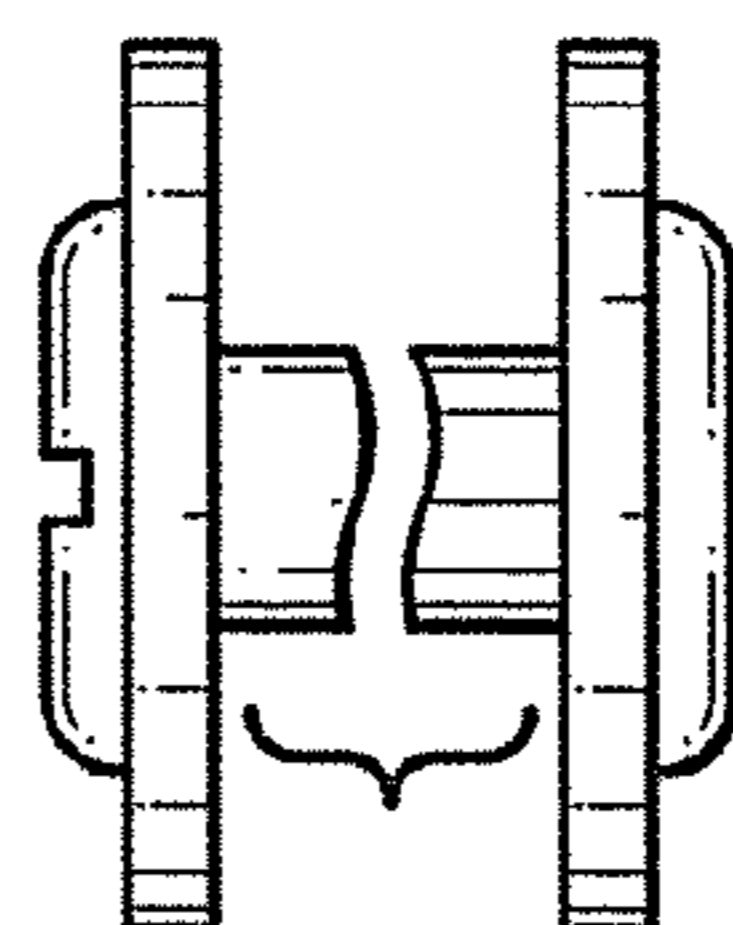


FIG. 3

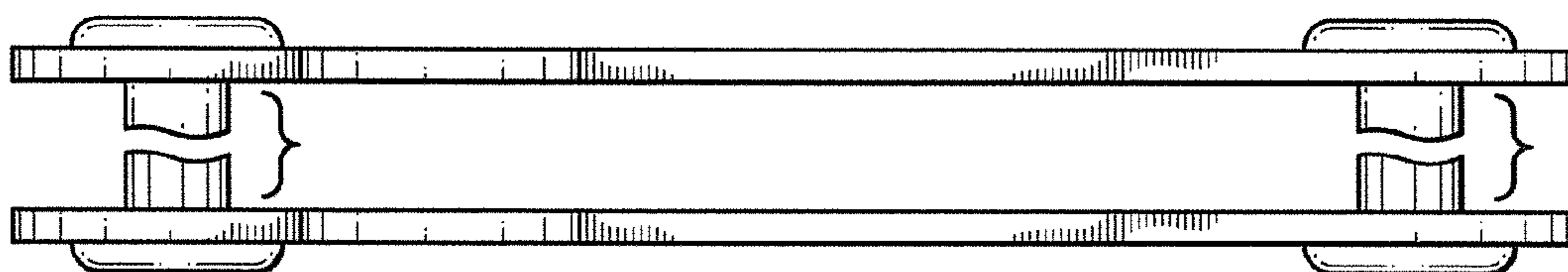


FIG. 4

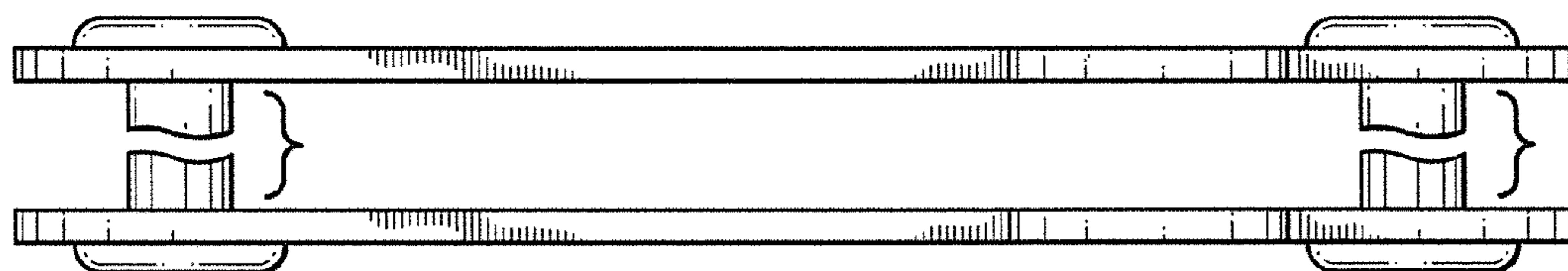


FIG. 5

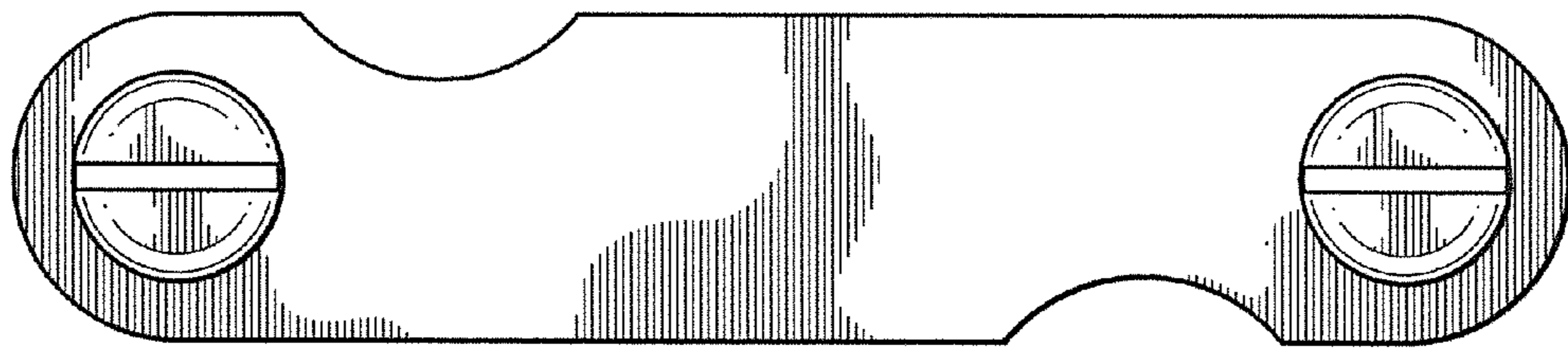


FIG. 6

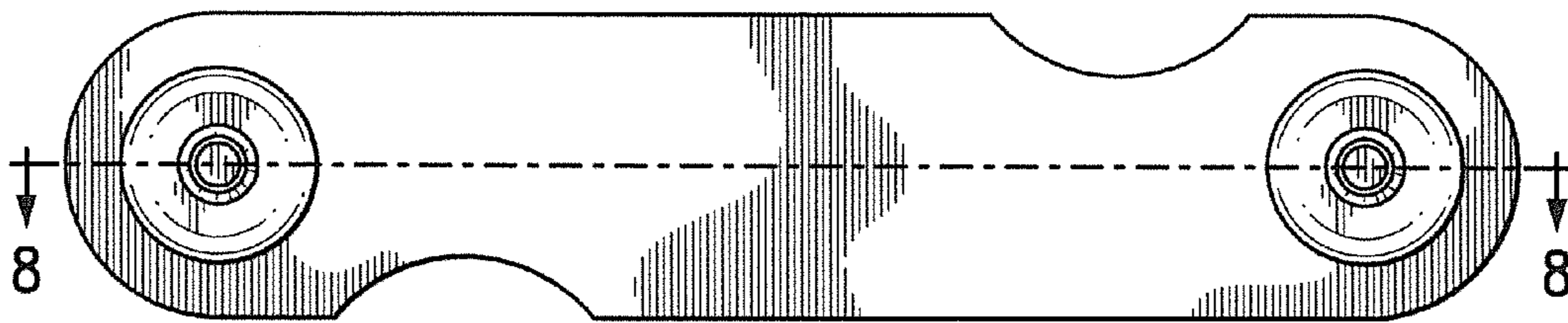


FIG. 7

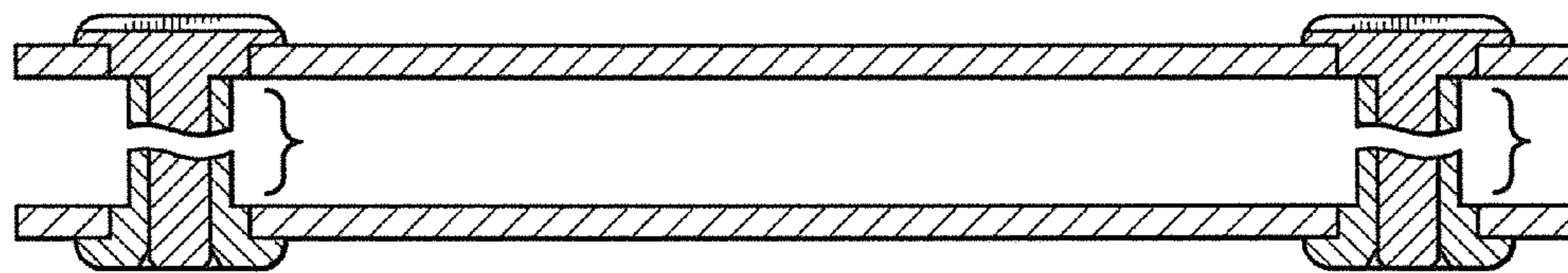


FIG. 8

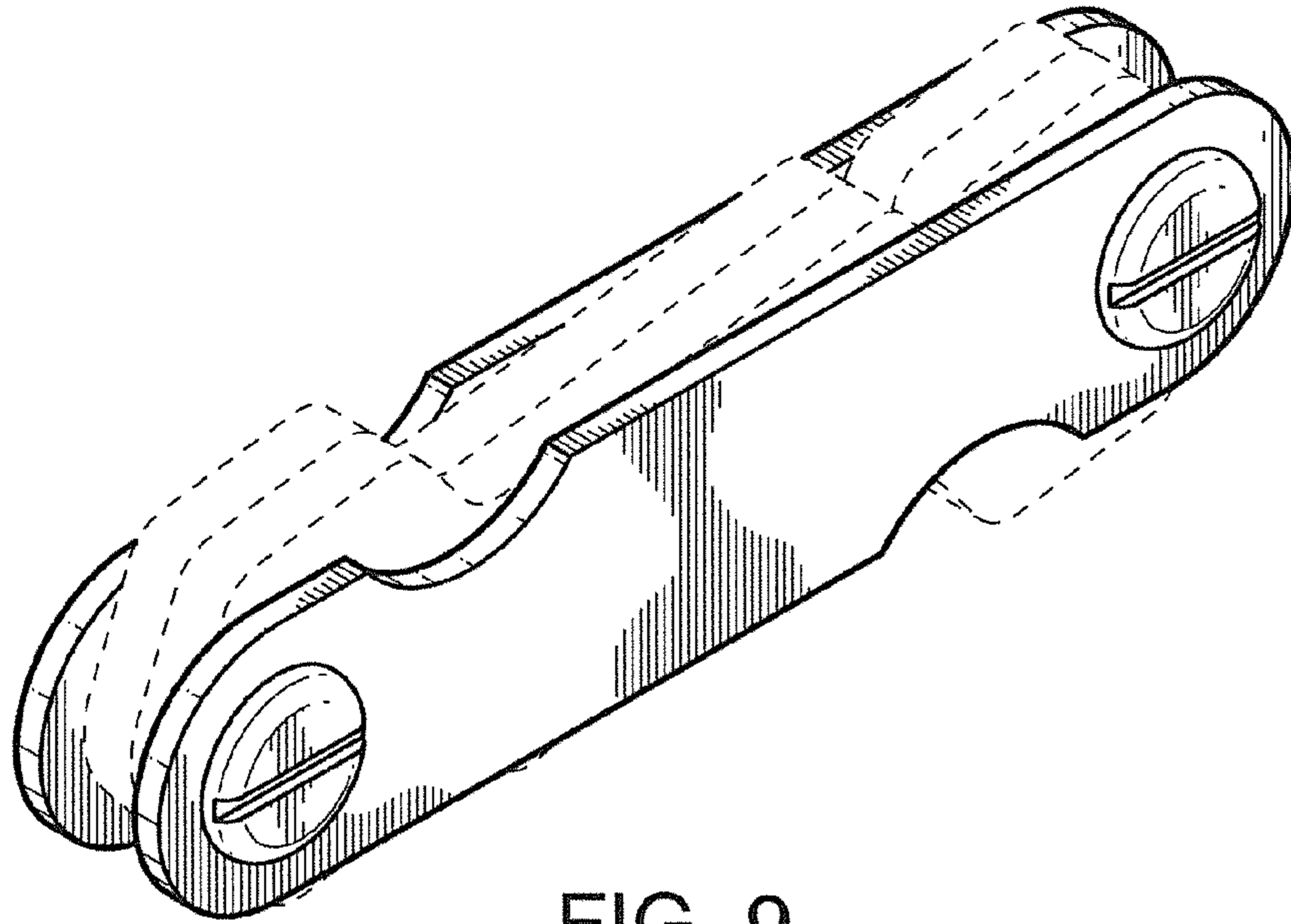


FIG. 9

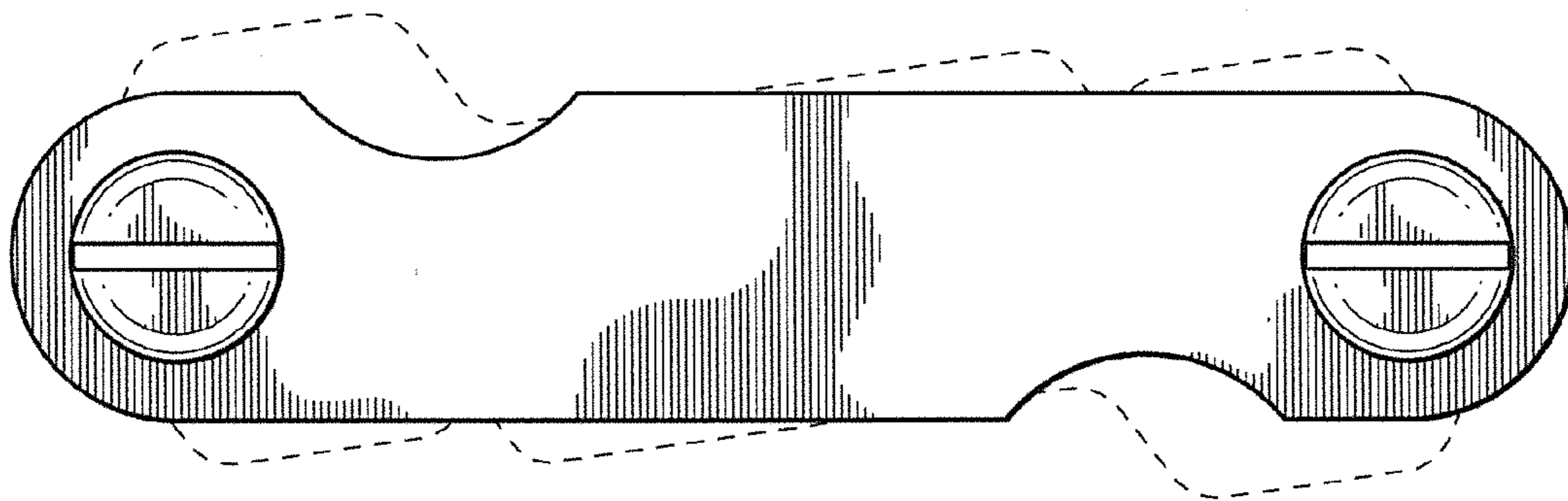


FIG. 10

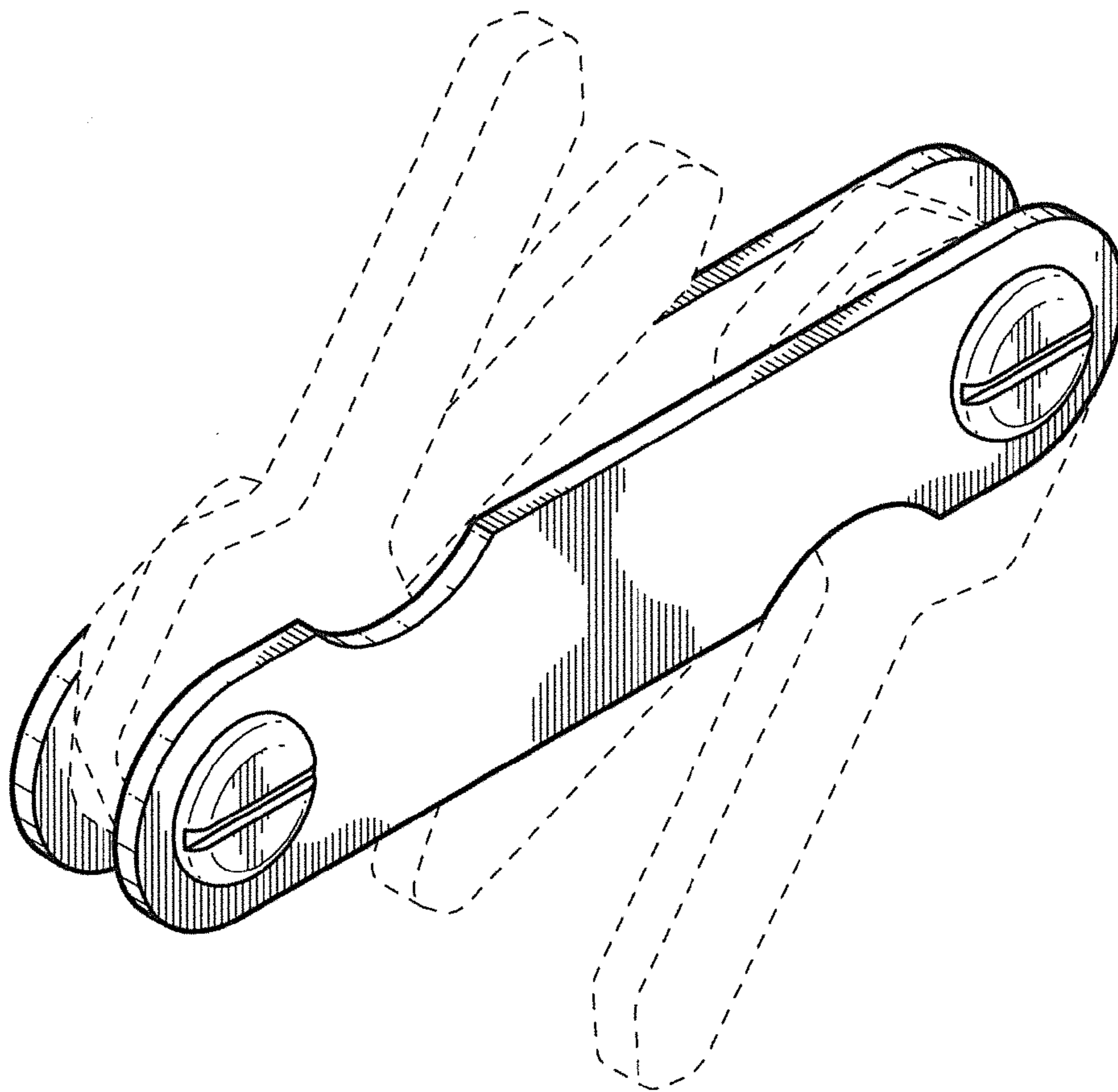


FIG. 11



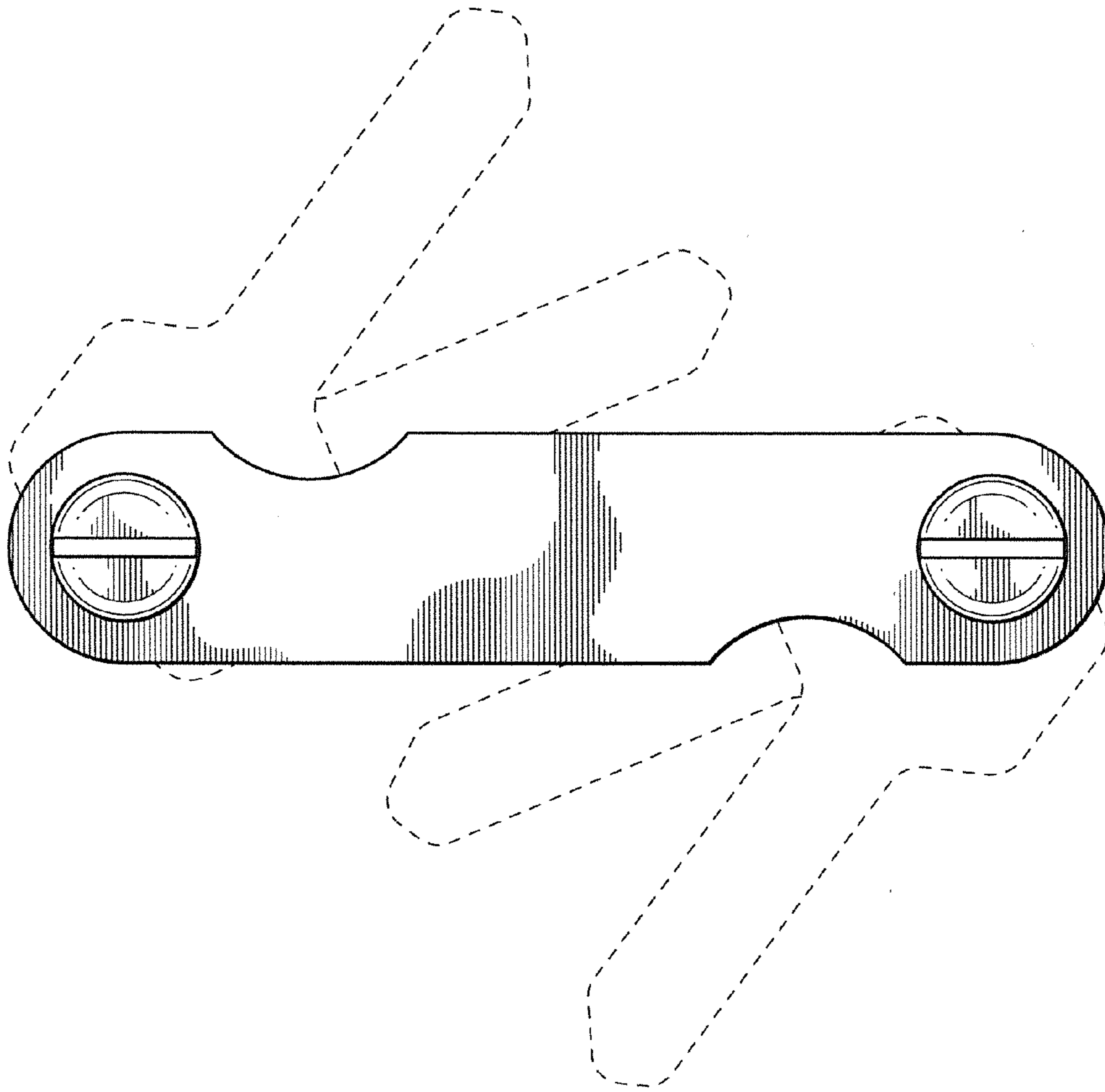


FIG. 12