



US00D754425S

(12) **United States Design Patent**
Deas

(10) **Patent No.:** **US D754,425 S**
(45) **Date of Patent:** **** Apr. 26, 2016**

(54) **FOOTWEAR UPPER**

(71) Applicant: **Deckers Outdoor Corporation**, Goleta,
CA (US)

(72) Inventor: **Geoff Deas**, Santa Barbara, CA (US)

(73) Assignee: **Deckers Outdoor Corporation**, Goleta,
CA (US)

(**) Term: **15 Years**

(21) Appl. No.: **29/534,008**

(22) Filed: **Jul. 24, 2015**

D631,241 S 1/2011 Ng
D637,805 S * 5/2011 MacIntyre D2/911
D640,450 S * 6/2011 Exton D2/910
D646,475 S 10/2011 Boncutter
D646,876 S 10/2011 Roldan
D650,565 S * 12/2011 Guers-Neyraud D2/946
D657,948 S 4/2012 Spring
D660,571 S 5/2012 Ng
D661,080 S 6/2012 Ng

(Continued)

OTHER PUBLICATIONS

UGG Australia Bailey Bow model, www.uggaustralia.com, <https://web.archive.org/web/20121002051839/http://www.uggaustralia.com/womens-bailey-bow-sheepskin-boot/1002954,default,pd.html>; Oct. 2, 2012.

(Continued)

Related U.S. Application Data

(62) Division of application No. 29/508,522, filed on Nov. 7, 2014, now Pat. No. Des. 738,604.

(51) **LOC (10) Cl.** **02-04**

(52) **U.S. Cl.**
USPC **D2/970; D2/911**

(58) **Field of Classification Search**
USPC D2/896, 900, 909-911, 943, 946, 969,
D2/970, 974; 36/83, 1.5, 2 R, 109, 3 A,
36/7.1 R, 45, 52, 112, 100, 136
CPC A41D 17/00; A41D 17/02; A41D 5/00;
A43B 3/16; A43B 23/25; A43B 23/24;
A43B 23/00

See application file for complete search history.

(56) **References Cited**

U.S. PATENT DOCUMENTS

1,538,104 A 5/1925 Foster
D319,332 S * 8/1991 Itzkowitz D2/910
D569,090 S 5/2008 Uratsu
D585,185 S * 1/2009 del Biondi D2/910
D585,635 S 2/2009 Le
D585,636 S * 2/2009 Earle D2/970
D630,833 S 1/2011 Ng

Primary Examiner — Ian Simmons

Assistant Examiner — Rashida C Walshon

(74) *Attorney, Agent, or Firm* — Greer, Burns & Crain, Ltd.

(57) **CLAIM**

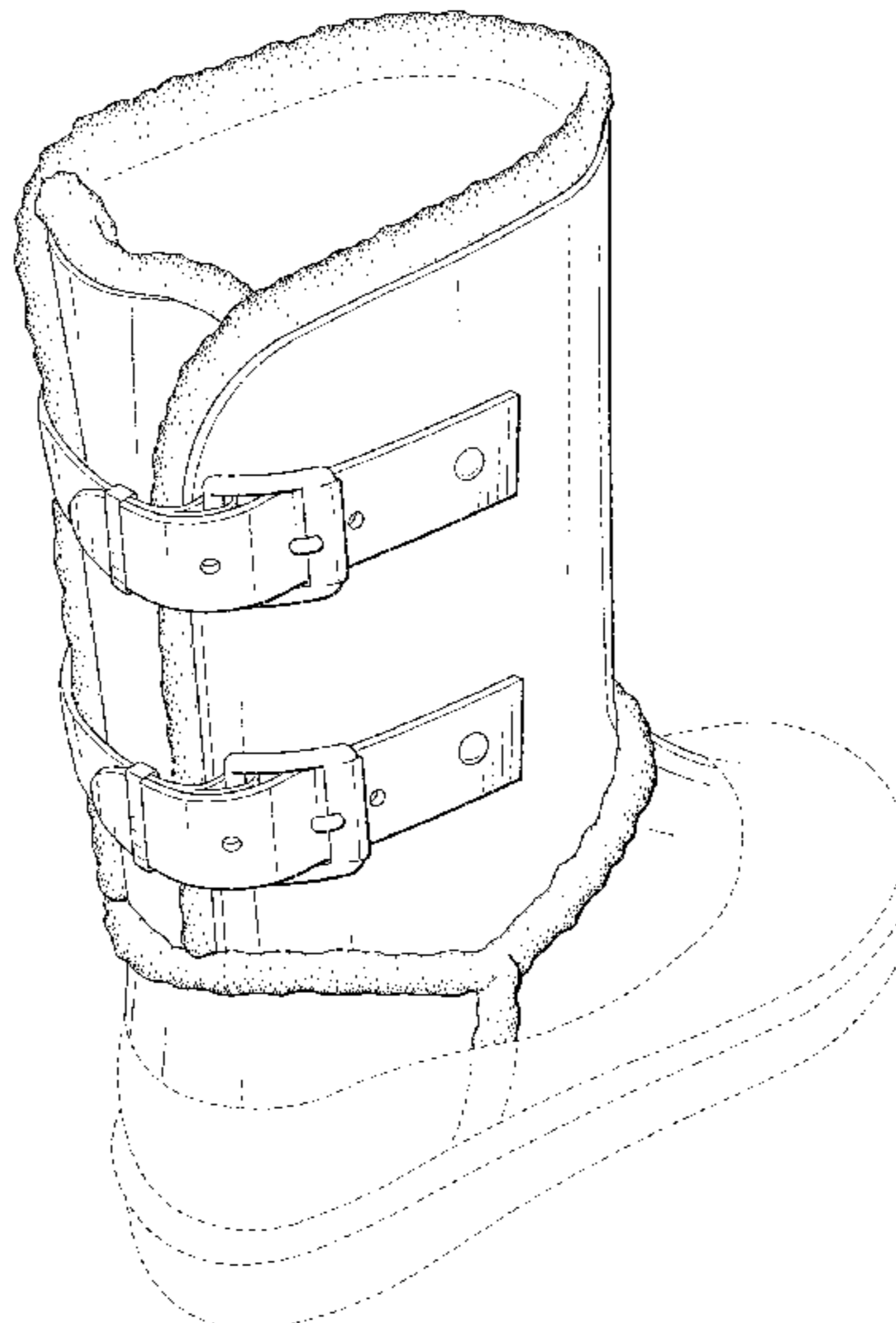
The ornamental design for a footwear upper, as shown and described.

DESCRIPTION

FIG. 1 is a perspective view of a footwear upper showing my new design;
FIG. 2 is a side elevational view thereof;
FIG. 3 is an opposite side elevational view thereof;
FIG. 4 is a front elevational view thereof;
FIG. 5 is a rear elevational view thereof;
FIG. 6 is a bottom plan view thereof; and,
FIG. 7 is a top plan view thereof.

The broken lines in FIGS. 1-7 represent portions of the footwear that form no part of the claimed design. The broken lines which define the bounds of the claimed design form no part thereof.

1 Claim, 5 Drawing Sheets



(56)

References Cited

U.S. PATENT DOCUMENTS

D673,762 S	1/2013	Spring	
D704,425 S	5/2014	MacIntyre	
D704,426 S	5/2014	Dillenbeck	
D704,427 S *	5/2014	Dillenbeck	D2/970
D706,527 S *	6/2014	Dillenbeck	D2/971
D708,832 S	7/2014	Roldan	
D734,935 S *	7/2015	Todd	D2/970
D738,605 S *	9/2015	Dillenbeck	D2/911

OTHER PUBLICATIONS

UGG Australia Classic Short Dilyn model, www.uggaustralia.com,
<https://web.archive.org/web/20120929215235/http://www.ug->

www.uggaustralia.com/womens-classic-short-dilyn-boots/1001202,default.pd.html?dwvar_1001202_color=BJCE&start=22&cgid=women-boots-classic Sep. 29, 2012.

UGG Australia Infants Boo model, www.uggaustralia.com, http://www.uggaustralia.com/baby/boo/5206.html?dwvar_5206_color=BPNK; see review dated Jul. 7, 2010.

UGG Australia Danton model, www.uggaustralia.com, http://web.archive.org/web/20130910163934/http://www.uggaustralia.com/women-boots/danton/1004152.html?dwvar_1004152_color=CHO Sep. 10, 2013.

UGG Australia Grandle model, www.uggaustralia.com, http://web.archive.org/web/20130910183949/http://www.uggaustralia.com/women-boots/grandle-suede/1003883.html?dwvar_1003883_color=WSBR Sep. 10, 2013.

* cited by examiner

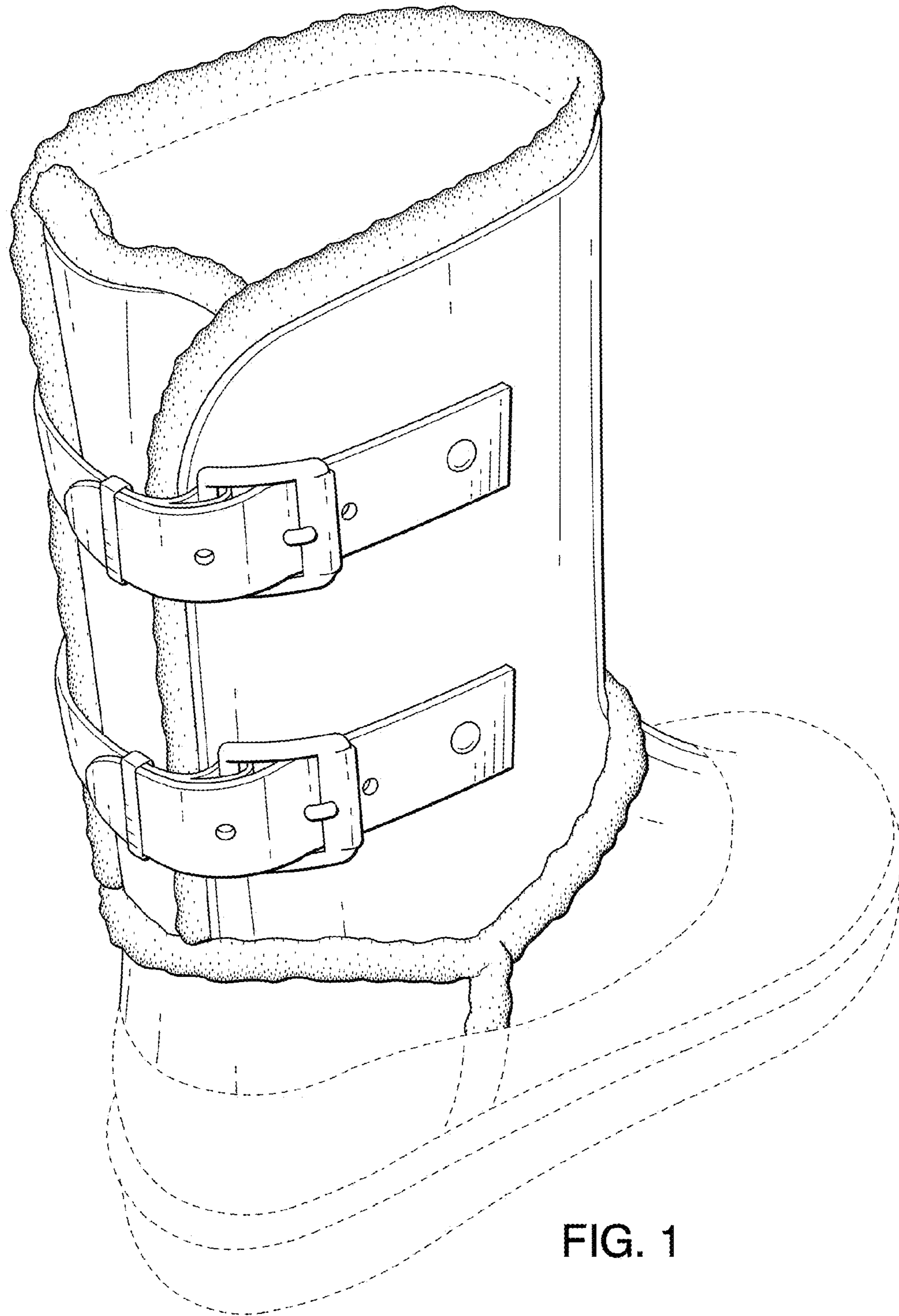


FIG. 1

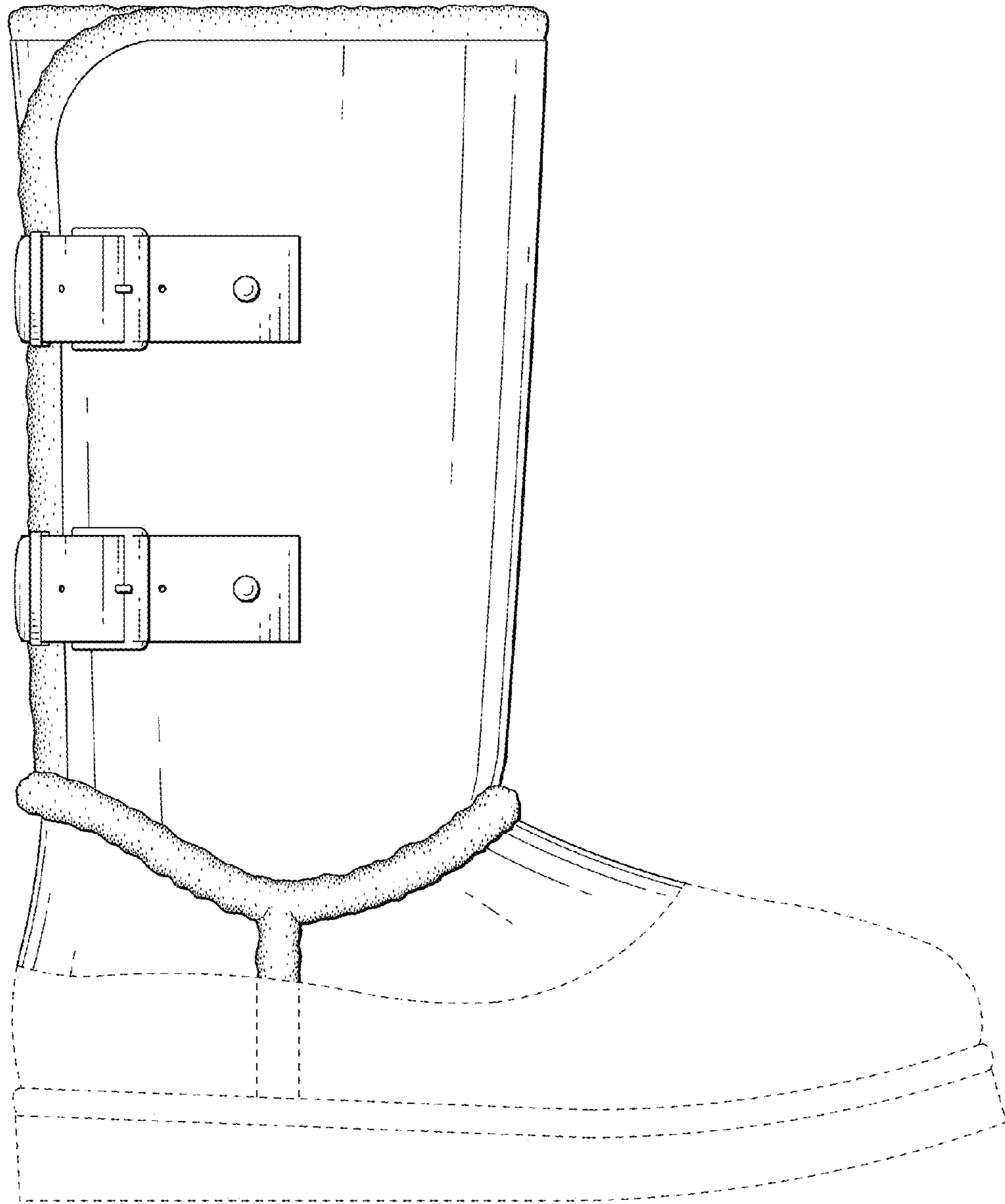


FIG. 2

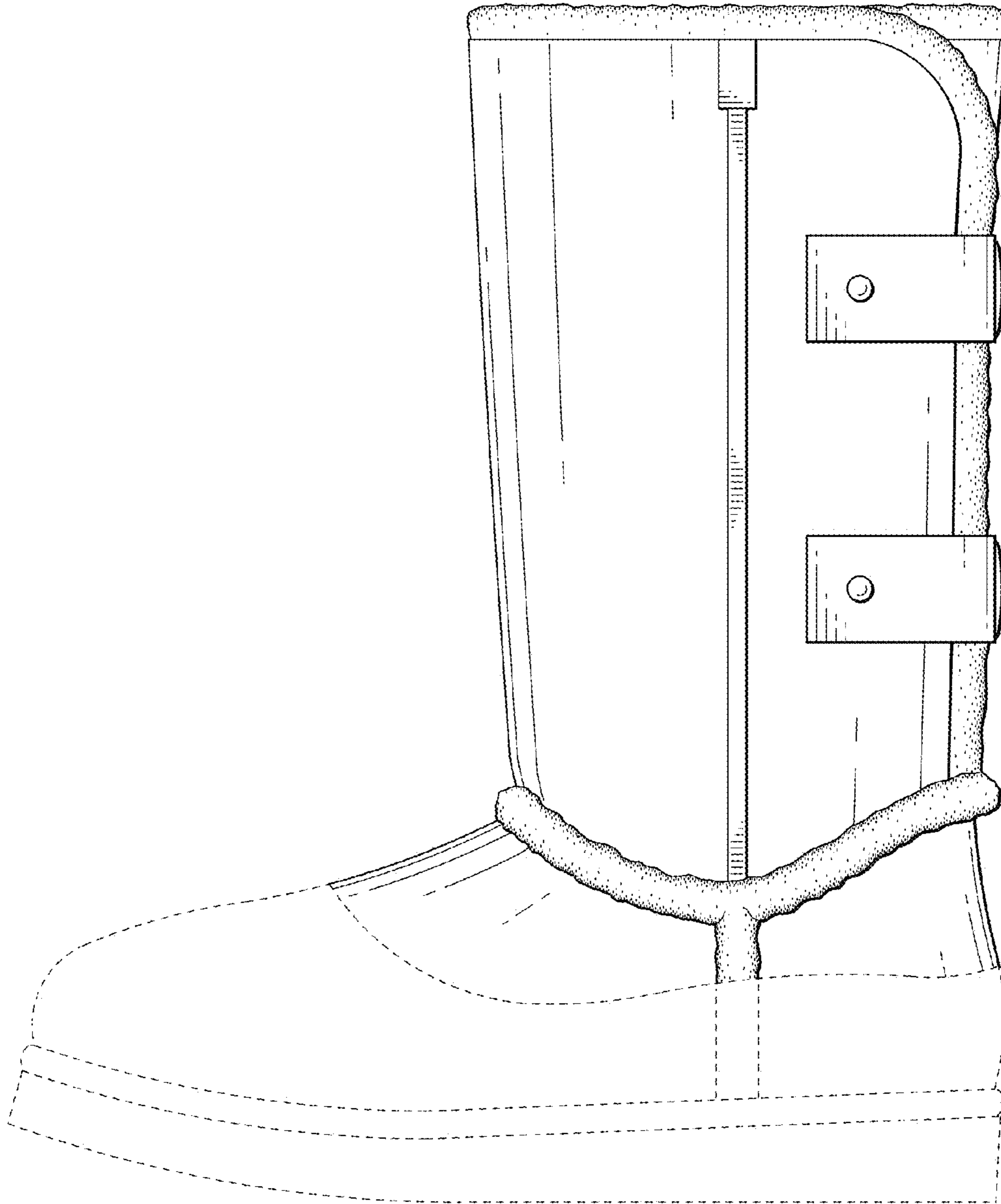


FIG. 3

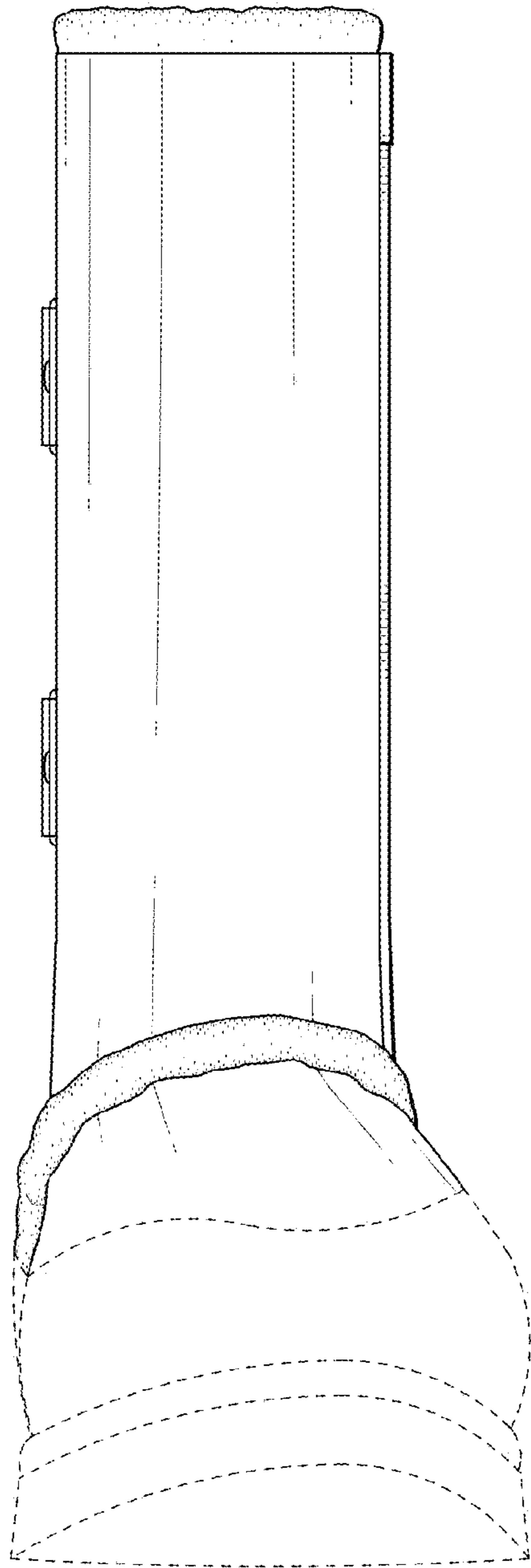


FIG. 4

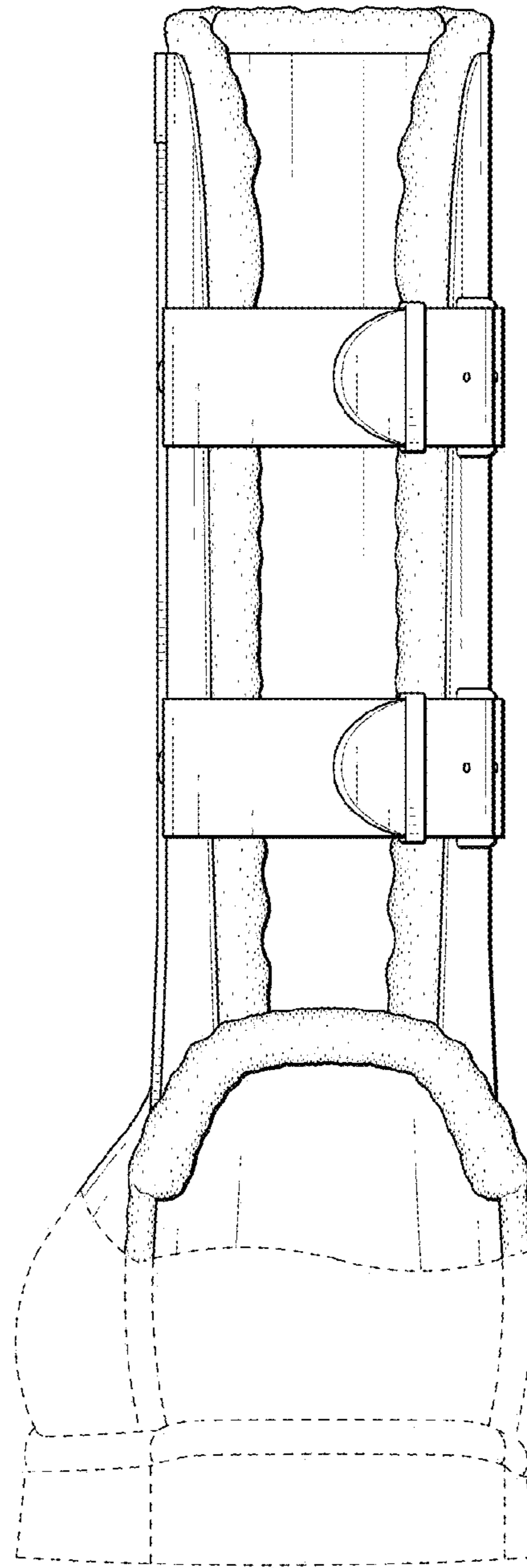


FIG. 5

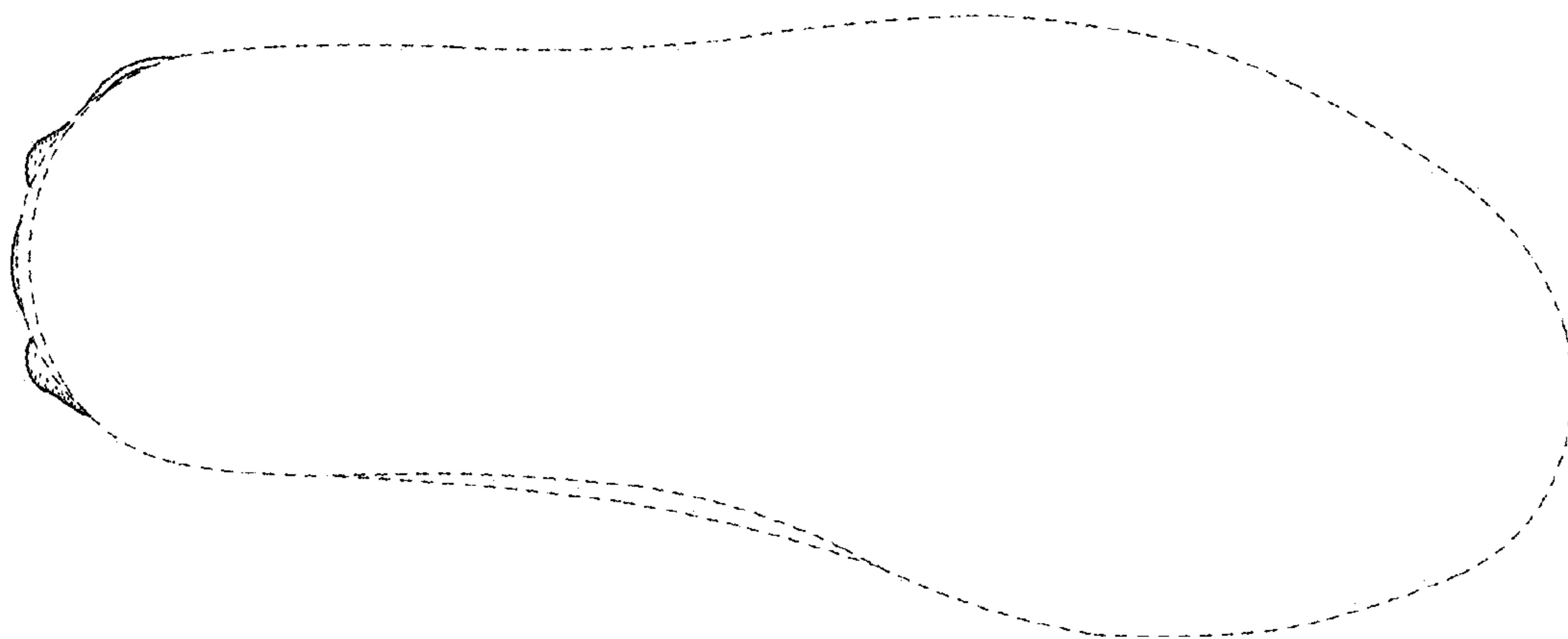


FIG. 6

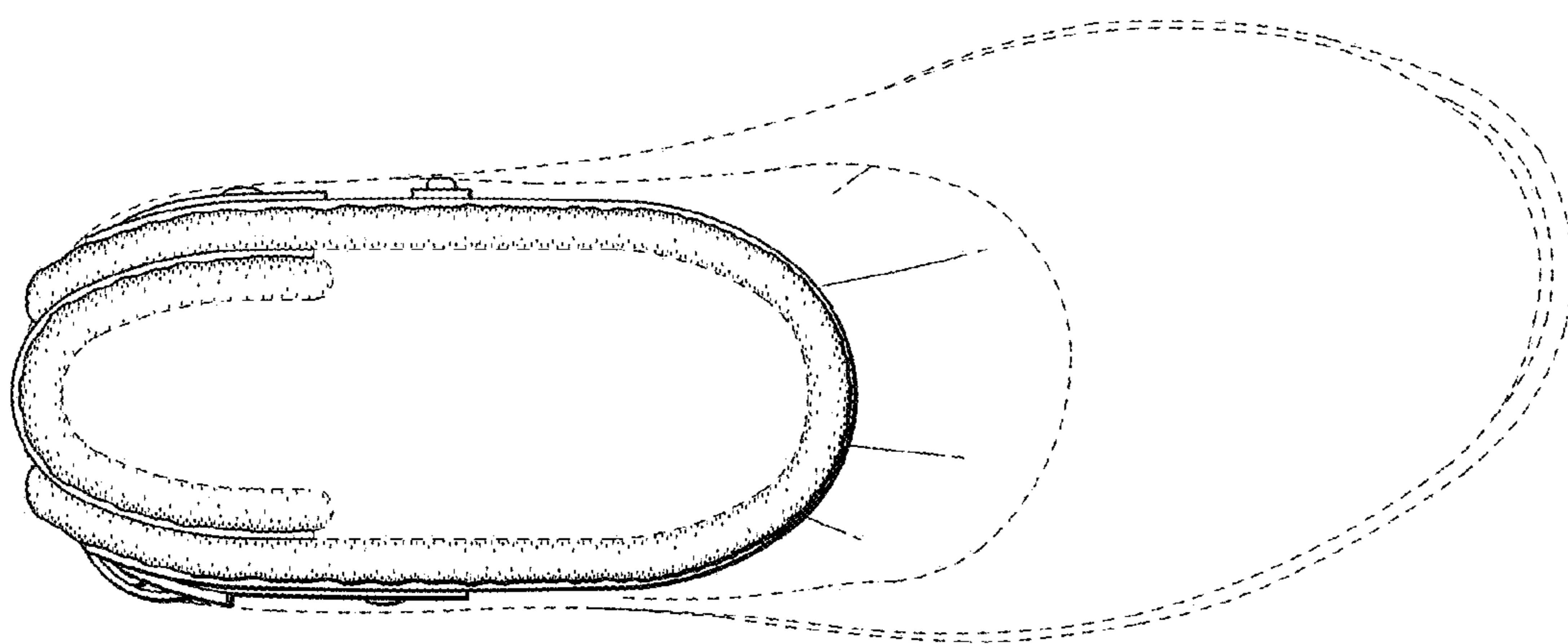


FIG. 7