

US00D754415S

(12) **United States Design Patent**
Liu et al.

(10) **Patent No.:** **US D754,415 S**

(45) **Date of Patent:** **** Apr. 19, 2016**

(54) **PALLET TRUCK**

(71) Applicants: **Yuanwei Liu**, Hangzhou (CN); **Feiquan Meng**, Hangzhou (CN); **Jinhui He**, Hangzhou (CN)

(72) Inventors: **Yuanwei Liu**, Hangzhou (CN); **Feiquan Meng**, Hangzhou (CN); **Jinhui He**, Hangzhou (CN)

(73) Assignee: **BIG LIFT, LLC**, Lombard, IL (US)

(**) Term: **14 Years**

(21) Appl. No.: **29/506,374**

(22) Filed: **Oct. 15, 2014**

(51) **LOC (10) Cl.** **12-05**

(52) **U.S. Cl.**
USPC **D34/34**

(58) **Field of Classification Search**
USPC D34/28, 34; 187/222, 234, 226, 238;
414/631, 575, 592; 180/89.12, 89.13,
180/89.17

CPC B66F 16/003; B66F 9/24; B66F 9/08;
B66F 9/07563; B66F 9/075; B66F 9/082;
B66F 9/122; B66F 9/146; B66F 9/0755

See application file for complete search history.

(56) **References Cited**

U.S. PATENT DOCUMENTS

D136,279 S	8/1943	Holland et al.
2,592,091 A	4/1952	Weaver
3,043,388 A	7/1962	Hansen
3,249,170 A	5/1966	Quayle
3,295,881 A	1/1967	Worthington
3,601,423 A	8/1971	Goodacre
D222,670 S	11/1971	Goodacre
3,854,748 A	12/1974	Goodacre
D239,165 S	3/1976	Mono
4,047,698 A	9/1977	Ellis
4,065,012 A	12/1977	Rocco
4,096,961 A	6/1978	Rocco

4,103,795 A	8/1978	Miller
4,287,959 A	9/1981	Inman
4,577,463 A	3/1986	Kedem
4,615,533 A	10/1986	Sewell
5,113,960 A	5/1992	Prinz
D343,935 S	2/1994	Drobeck et al.
5,618,154 A	4/1997	Irons et al.
5,752,584 A	5/1998	Magoto et al.
D408,958 S	4/1999	Schneider
6,125,971 A	10/2000	Niebuhr et al.
6,260,646 B1	7/2001	Fernandez et al.
D447,612 S	9/2001	Niebuhr
D464,785 S	10/2002	Gallagher
7,040,427 B2	5/2006	Toomey
D530,878 S	10/2006	Ruppert et al.

(Continued)

OTHER PUBLICATIONS

Brochure for "PDS Power Drive Straddle Trucks" issued by Blue Giant®, Sep. 1, 2010 (2 pages).

(Continued)

Primary Examiner — Cynthia Ramirez

(74) *Attorney, Agent, or Firm* — Cook Alex Ltd.

(57) **CLAIM**

We claim the ornamental design for a pallet truck, as shown and described.

DESCRIPTION

FIG. 1 is a rear perspective view of a pallet truck according to our new design;

FIG. 2 is a front perspective view thereof;

FIG. 3 is a rear elevational view thereof;

FIG. 4 is a right side elevational view thereof;

FIG. 5 is a front elevational view thereof;

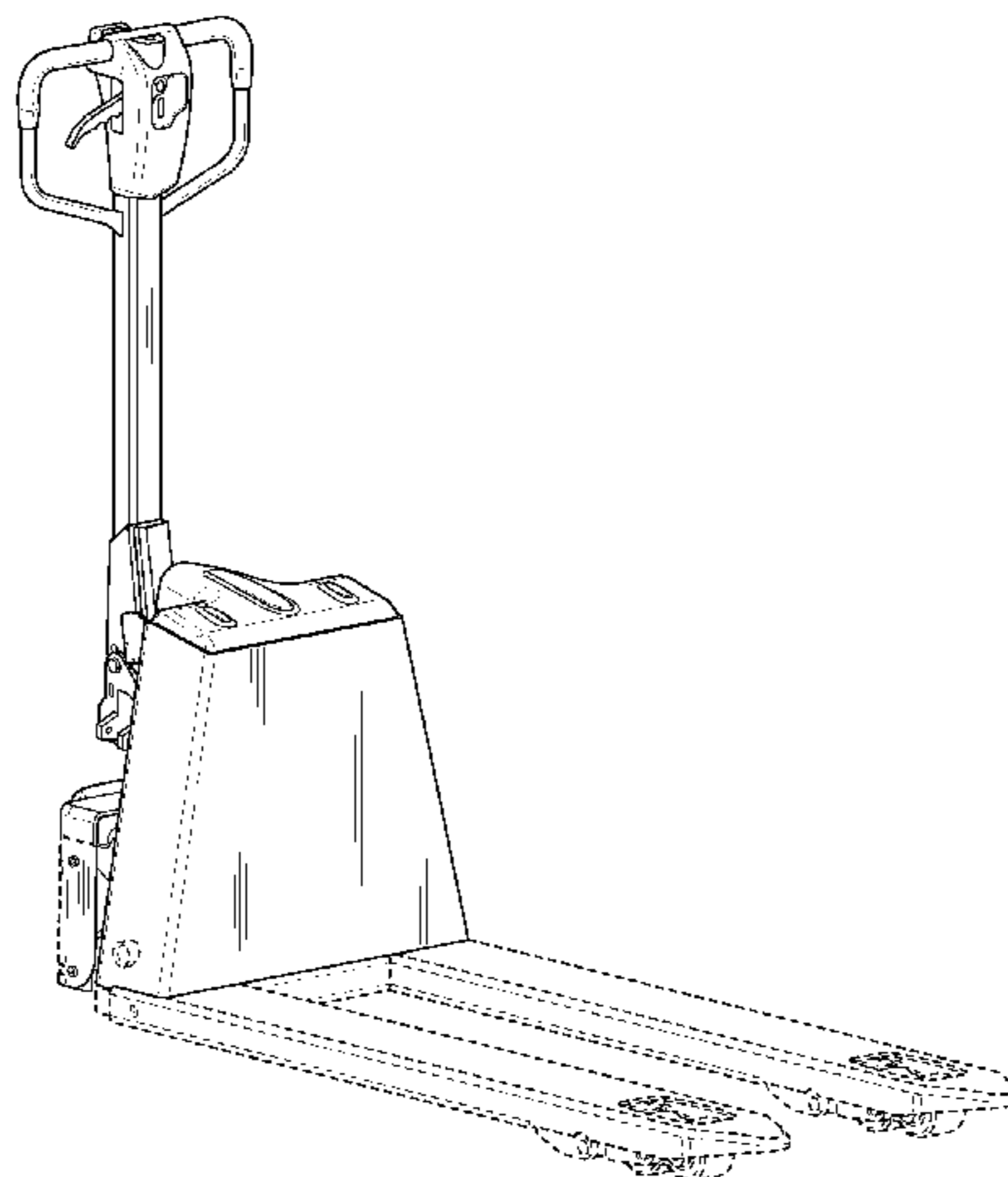
FIG. 6 is a left side elevational view thereof;

FIG. 7 is a top plan view thereof; and,

FIG. 8 is a bottom plan view thereof.

The broken lines shown in the figures are included for the purpose of illustrating environment and forms no part of the claimed design.

1 Claim, 5 Drawing Sheets



(56)

References Cited

U.S. PATENT DOCUMENTS

D542,004 S 5/2007 Righi
 D559,498 S 1/2008 Ruppert et al.
 D562,525 S 2/2008 Graf et al.
 D565,270 S 3/2008 Ruppert et al.
 D583,124 S * 12/2008 Stark D34/34
 D601,324 S * 9/2009 Knie D34/34
 D608,075 S * 1/2010 Berger D34/34
 D608,522 S * 1/2010 Berger D34/34
 D608,523 S * 1/2010 Knie D34/34
 D609,424 S * 2/2010 Knie D34/34
 7,744,335 B1 6/2010 Cleary
 D640,031 S * 6/2011 Kretschmer D34/34
 D655,064 S * 2/2012 Knie D34/34
 8,230,976 B2 7/2012 Baldini
 8,246,008 B2 8/2012 De Jong et al.
 D674,982 S 1/2013 Babel et al.
 8,360,443 B2 1/2013 Ellington
 8,540,213 B2 9/2013 Feiquan et al.
 D692,202 S * 10/2013 Feiquan D34/34
 D692,203 S * 10/2013 Feiquan D34/34
 D692,204 S * 10/2013 Feiquan D34/34

D730,614 S * 5/2015 Wu D34/34
 D739,112 S * 9/2015 He D34/34
 2005/0036880 A1 2/2005 Magoto et al.
 2006/0181039 A1 8/2006 Fridlington et al.
 2009/0260923 A1 10/2009 Baldini

OTHER PUBLICATIONS

Website for Shanghai Noblelift Co. Ltd. Guangzhou Subsidiary
 “Semi-electric Pallet Truck Spt” <http://gdnoblift.en.busytrade.com/products/info/1904267/Semi-electric-Pallet-Truck-Spt.html>,
 accessed Jan. 13, 2012, (4 pages).
 Website for Stars for “Electric Vehicle—Electric Pallet Truck,” <http://www.starstw.com/news/stars-electric-pallet-truck.html>, accessed
 Jan. 13, 2012 (1 page).
 Website for Cherry’s Industrial Equipment for “SPT15-Semi Electric
 Pallet Truck” <http://www.pallettruck.com/spt15.html>, accessed Jan.
 17, 2012 (1 page).
 Brochure for “Walkie Pallet Trucks 4,000—5,000 lbs.,” Model
 MPB040-E issued by Yale Materials Handling Corporation, 2006,
 (14 pages).

* cited by examiner

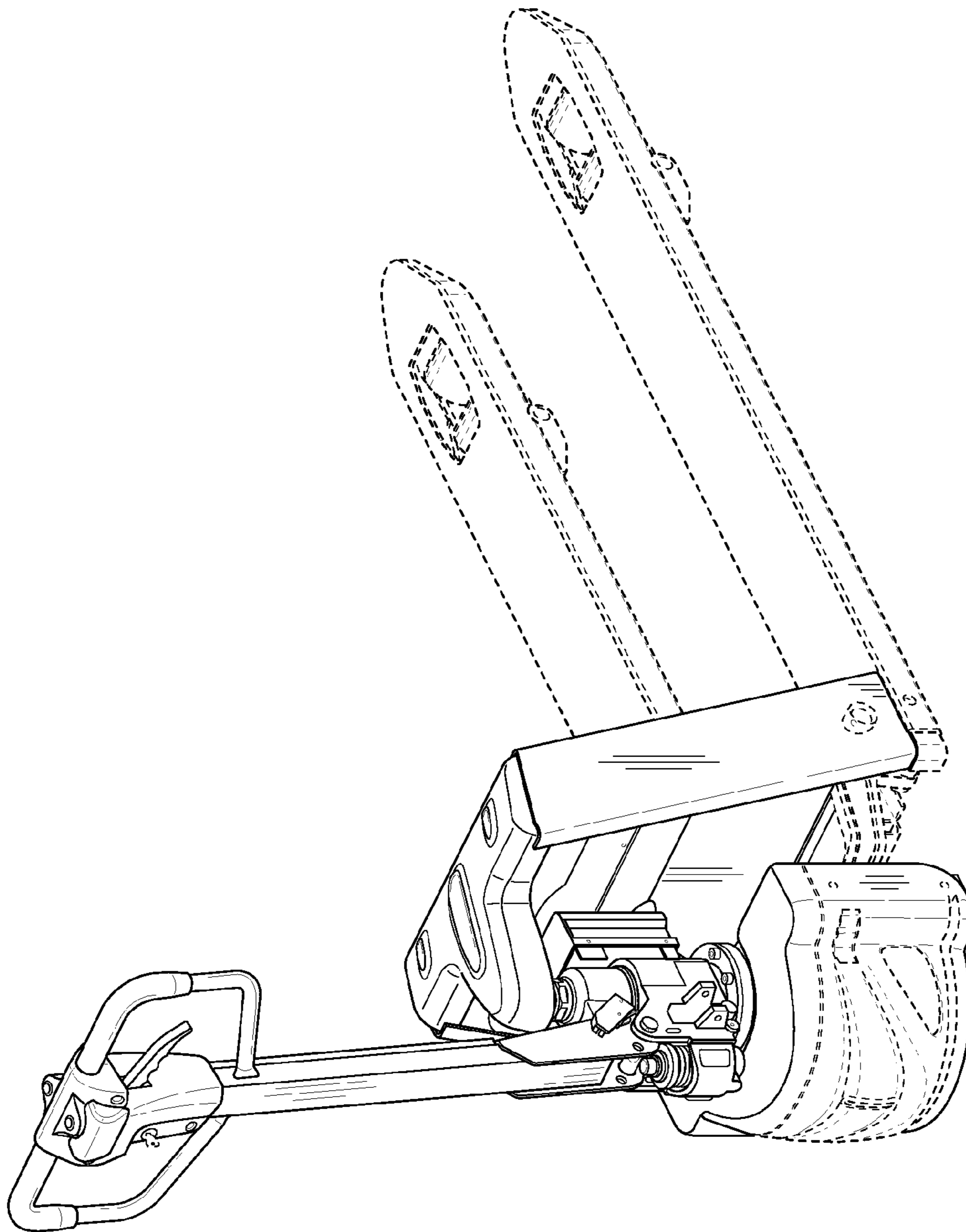


FIG. 1

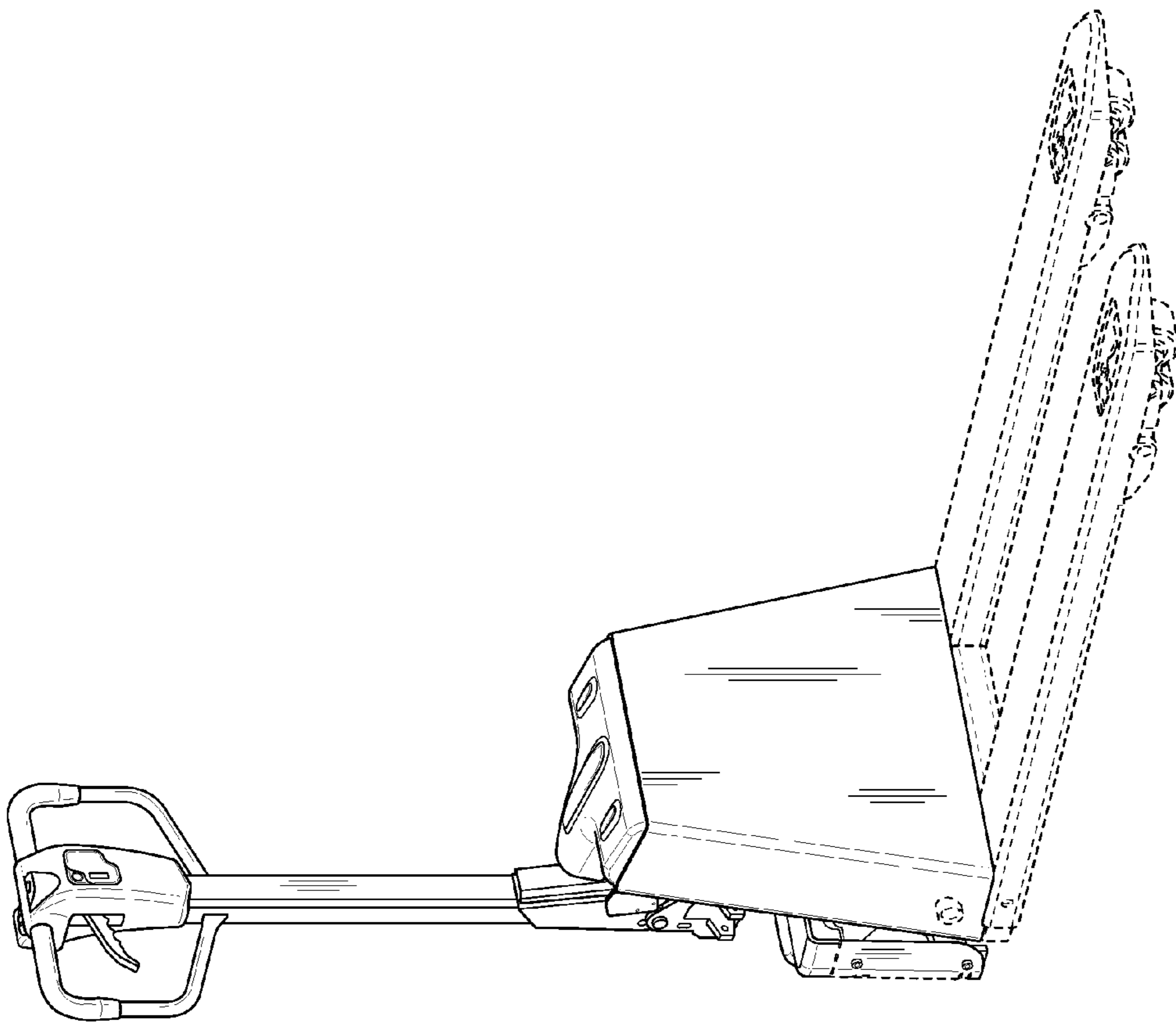


FIG. 2

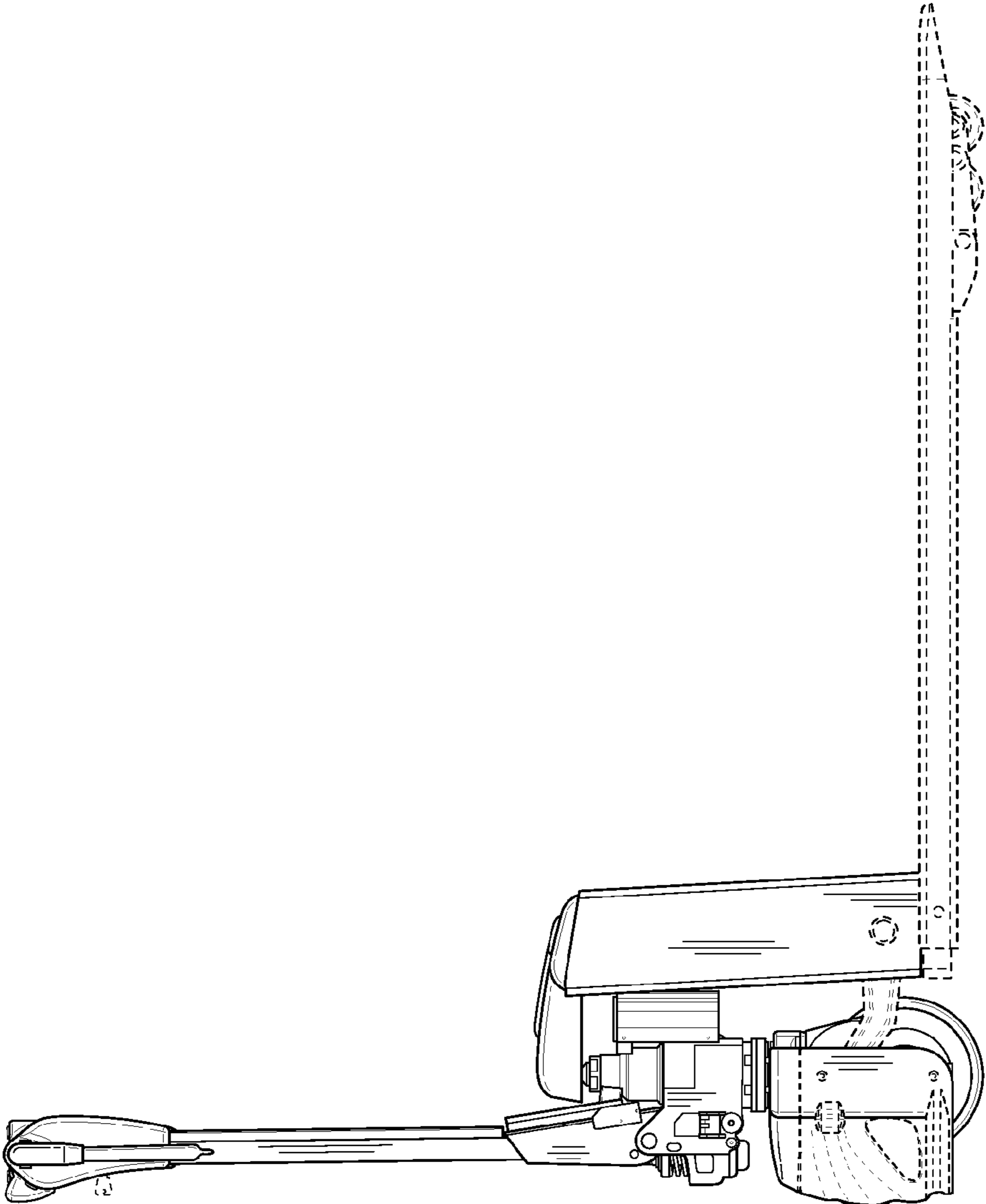


FIG. 4

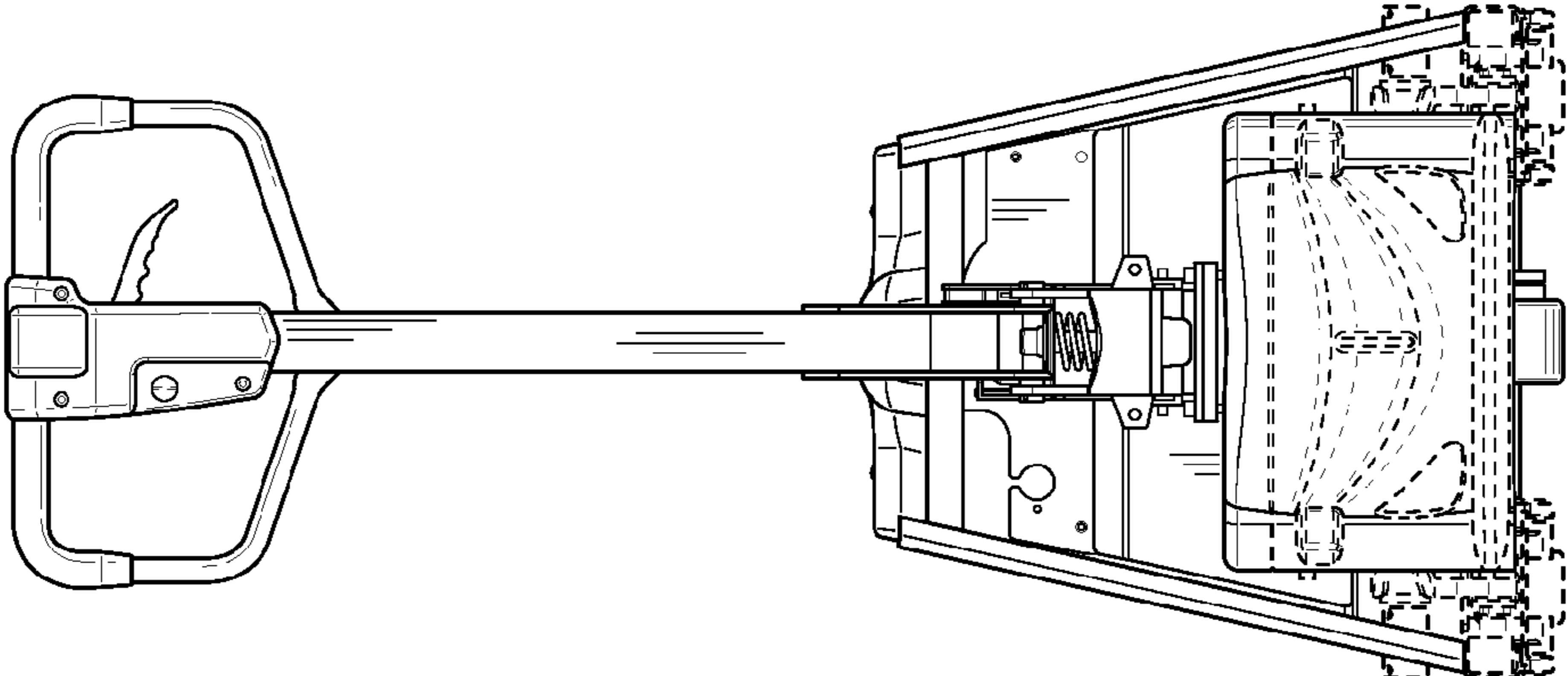


FIG. 3

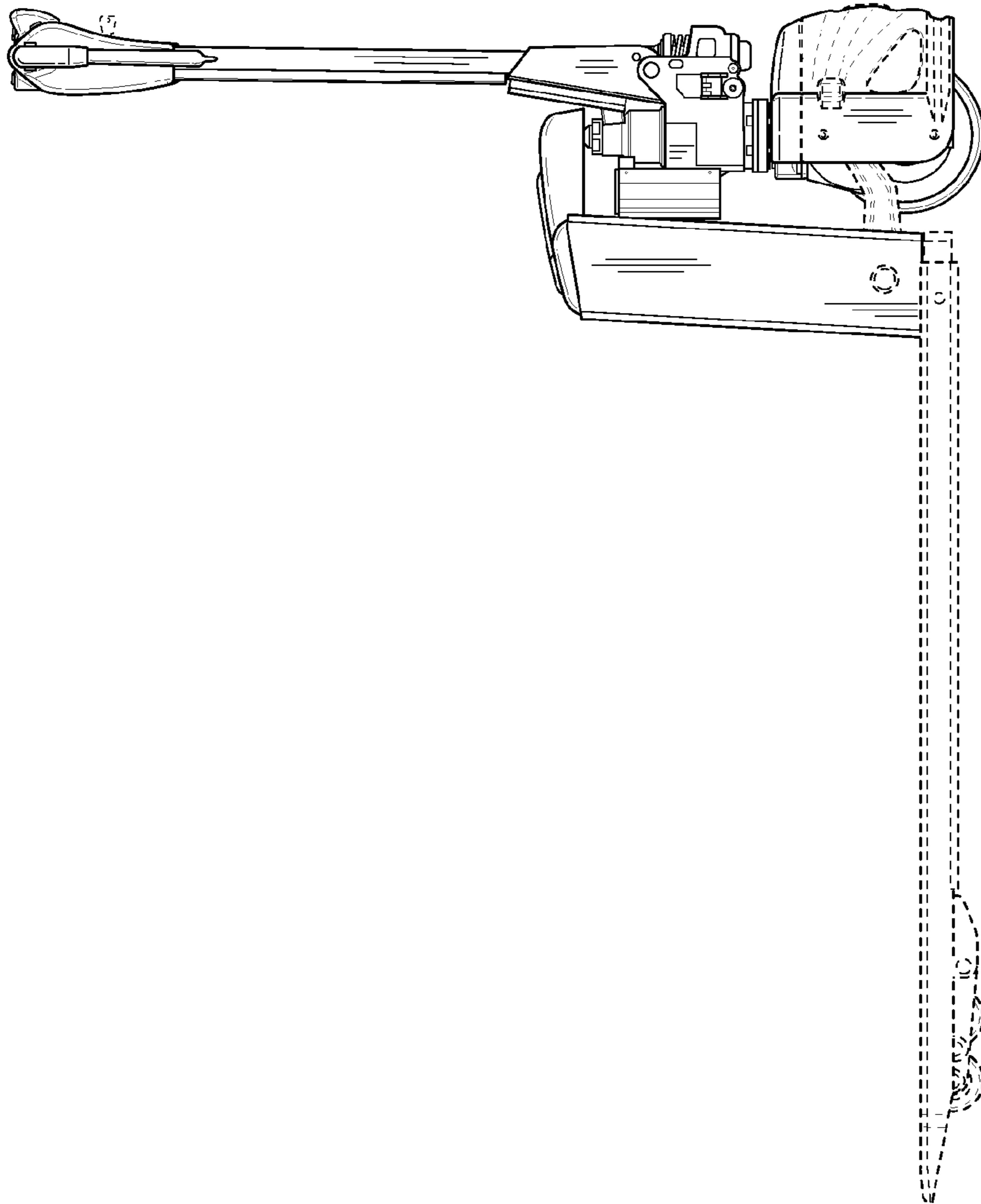


FIG. 6

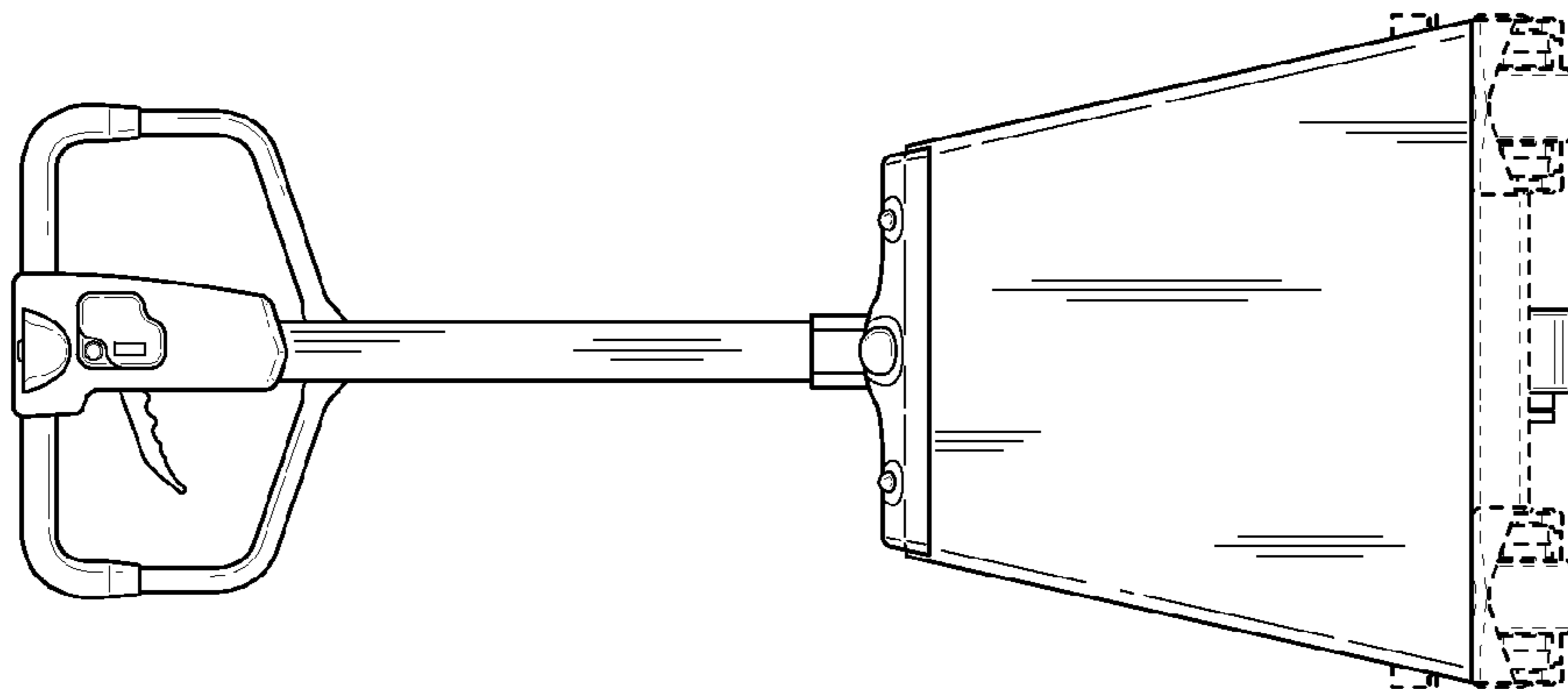


FIG. 5

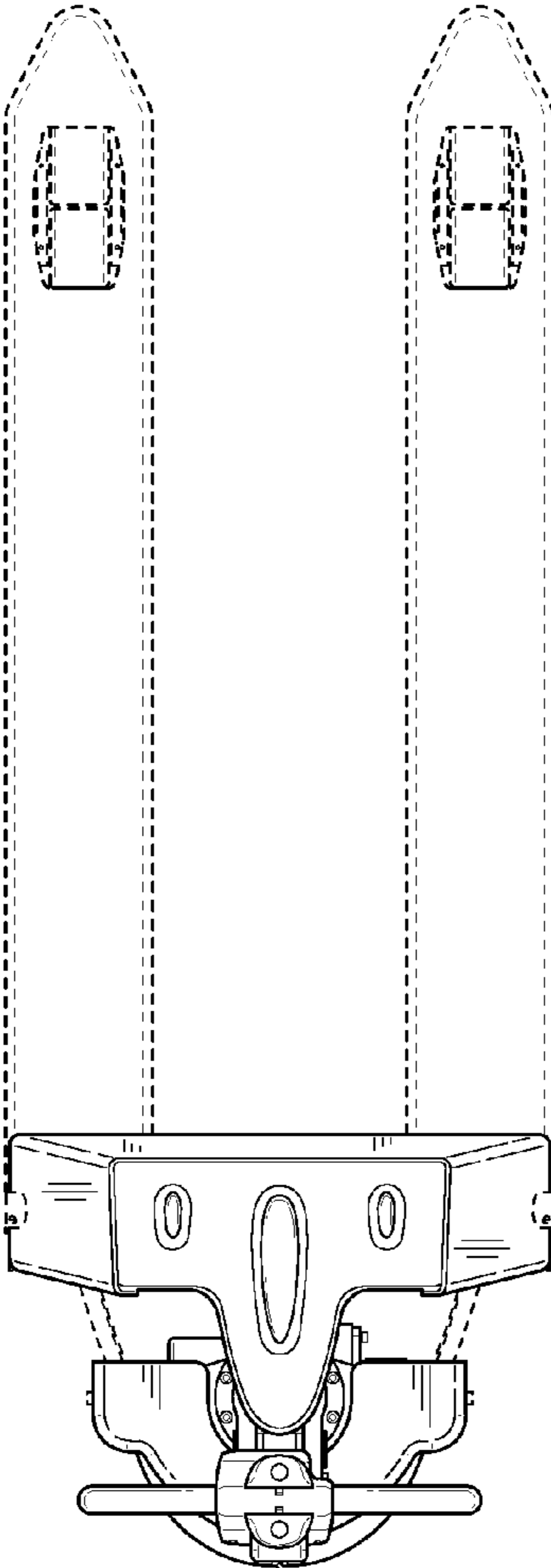


FIG. 7

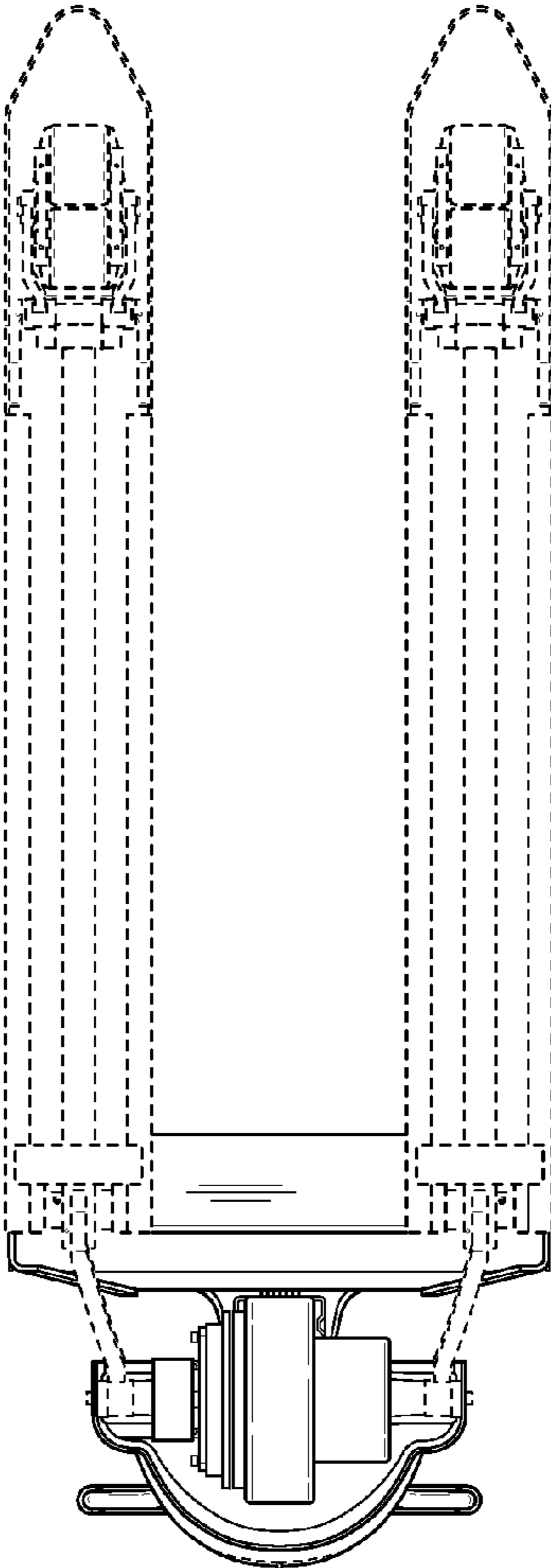


FIG. 8