



US00D754414S

(12) **United States Design Patent**
Lear

(10) **Patent No.:** **US D754,414 S**

(45) **Date of Patent:** **** Apr. 19, 2016**

- (54) **CART**
- (71) Applicant: **Harold Roy Lear**, Butte, MT (US)
- (72) Inventor: **Harold Roy Lear**, Butte, MT (US)
- (**) Term: **14 Years**
- (21) Appl. No.: **29/522,380**
- (22) Filed: **Mar. 30, 2015**
- (51) **LOC (10) Cl.** **12-02**
- (52) **U.S. Cl.**
USPC **D34/16**
- (58) **Field of Classification Search**
USPC D34/12-27; 280/653, 654, 655, 87.01,
280/47.34, 47.35; D15/28, 17
CPC B62B 1/208; B62B 1/206; B62B 1/18;
B62B 1/20; B62B 1/186; B62B 1/12; B62B
1/125
See application file for complete search history.

- 7,134,681 B1 * 11/2006 Jones B60D 1/00
280/33.992
- D606,565 S * 12/2009 Hickenbottom D15/17
- 7,988,181 B2 * 8/2011 Hand B25H 1/04
280/47.18
- D668,831 S * 10/2012 Cooper D34/16
- D672,110 S * 12/2012 Cooper D34/16
- D672,521 S * 12/2012 Cooper D34/16

* cited by examiner

Primary Examiner — Cynthia Ramirez

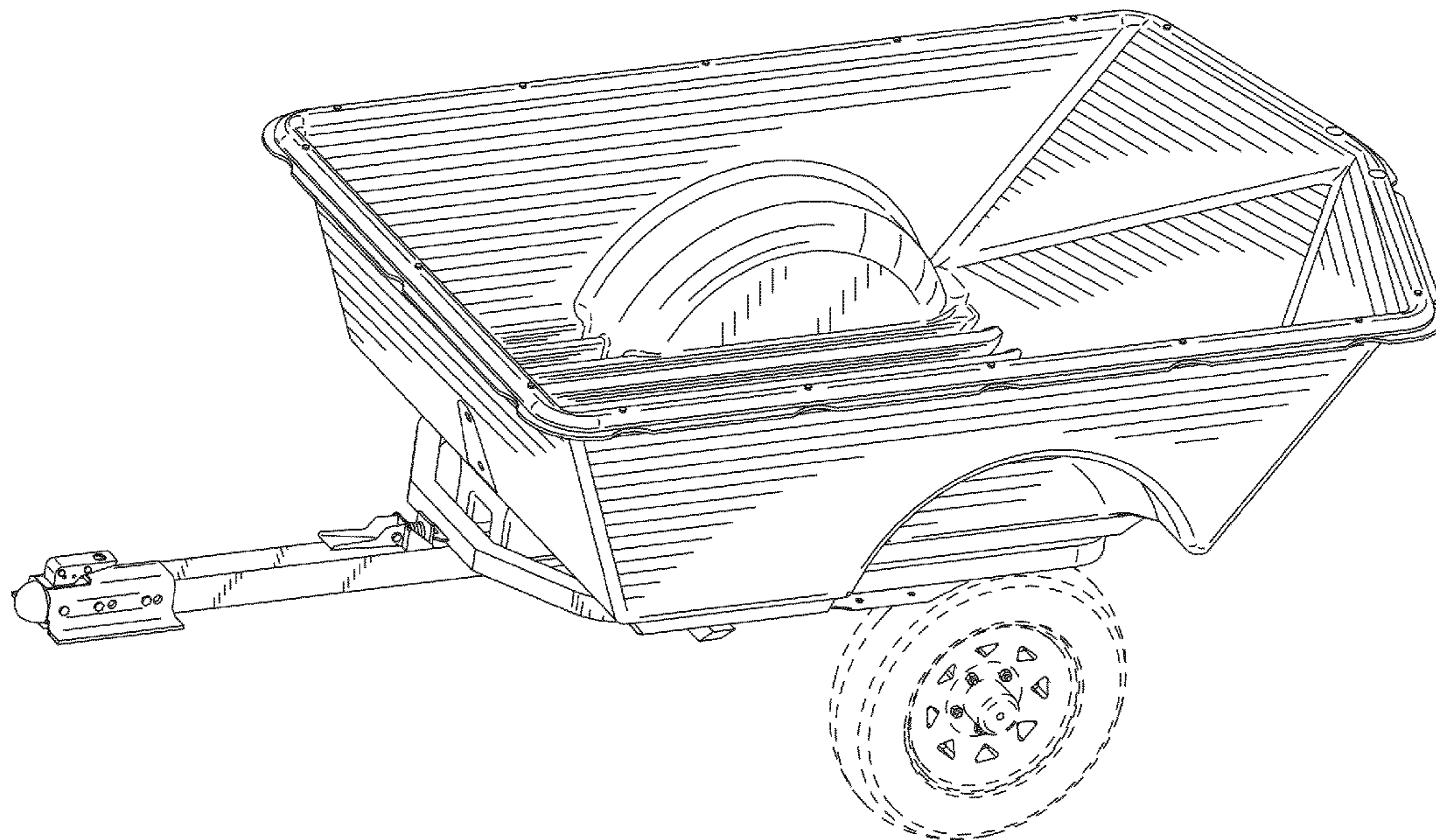
- (56) **References Cited**
U.S. PATENT DOCUMENTS
4,629,203 A * 12/1986 Ballard B62B 1/12
280/47.26
4,856,810 A * 8/1989 Smith B62B 3/02
280/37
D465,631 S * 11/2002 Brant D34/16

(57) **CLAIM**
The ornamental design for a cart, as shown and described.

DESCRIPTION

FIG. 1 is a perspective view of a cart;
FIG. 2 is a front elevation view thereof;
FIG. 3 is a rear elevation view thereof;
FIG. 4 is a top plan view thereof;
FIG. 5 is a bottom plan view thereof; and,
FIG. 6 is a right elevation view thereof; the left elevation view
is a mirror image thereof.
The broken lines shown in the drawings illustrate portions of
the cart that form no part of the claimed design.

1 Claim, 5 Drawing Sheets



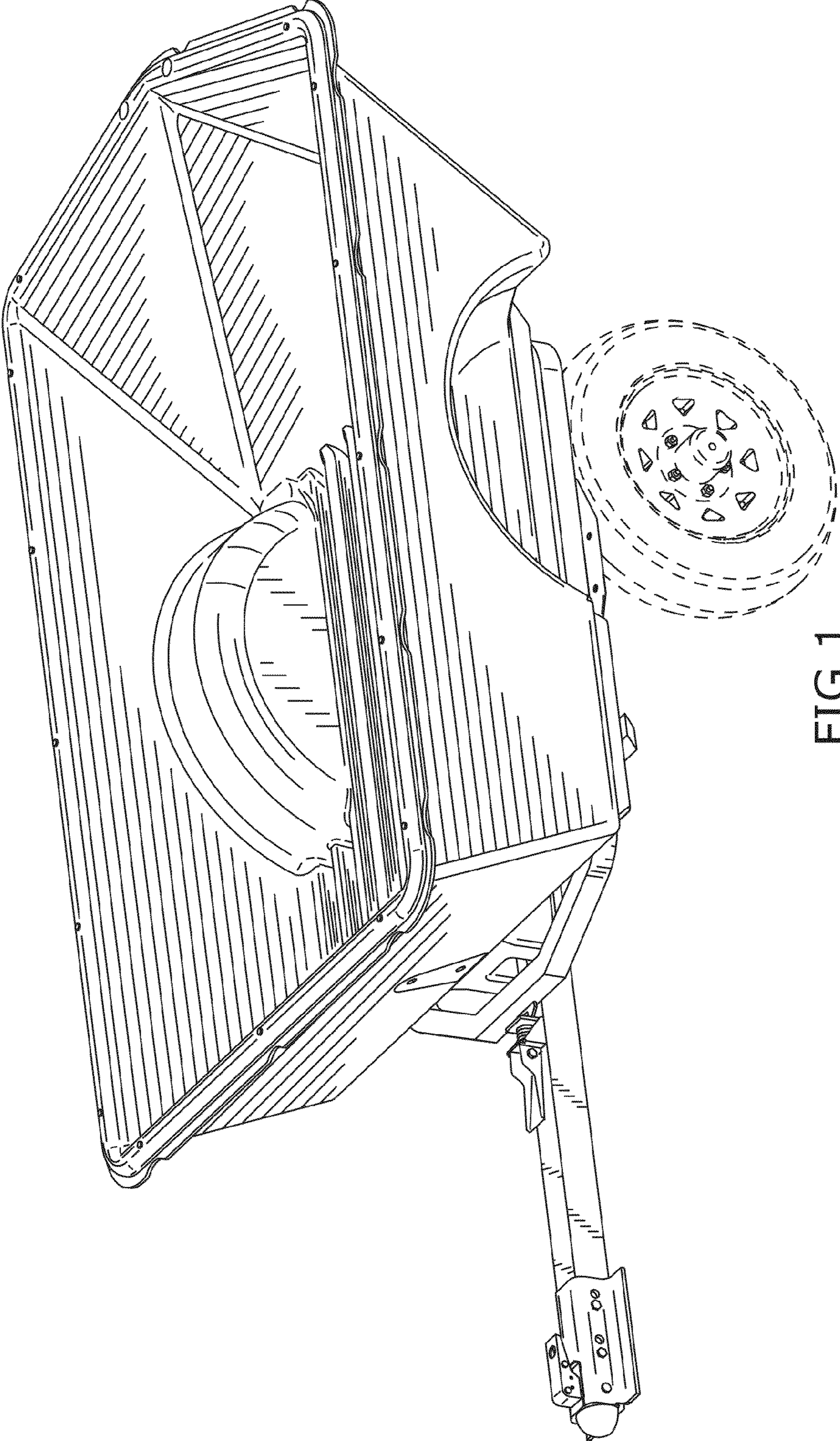


FIG.1

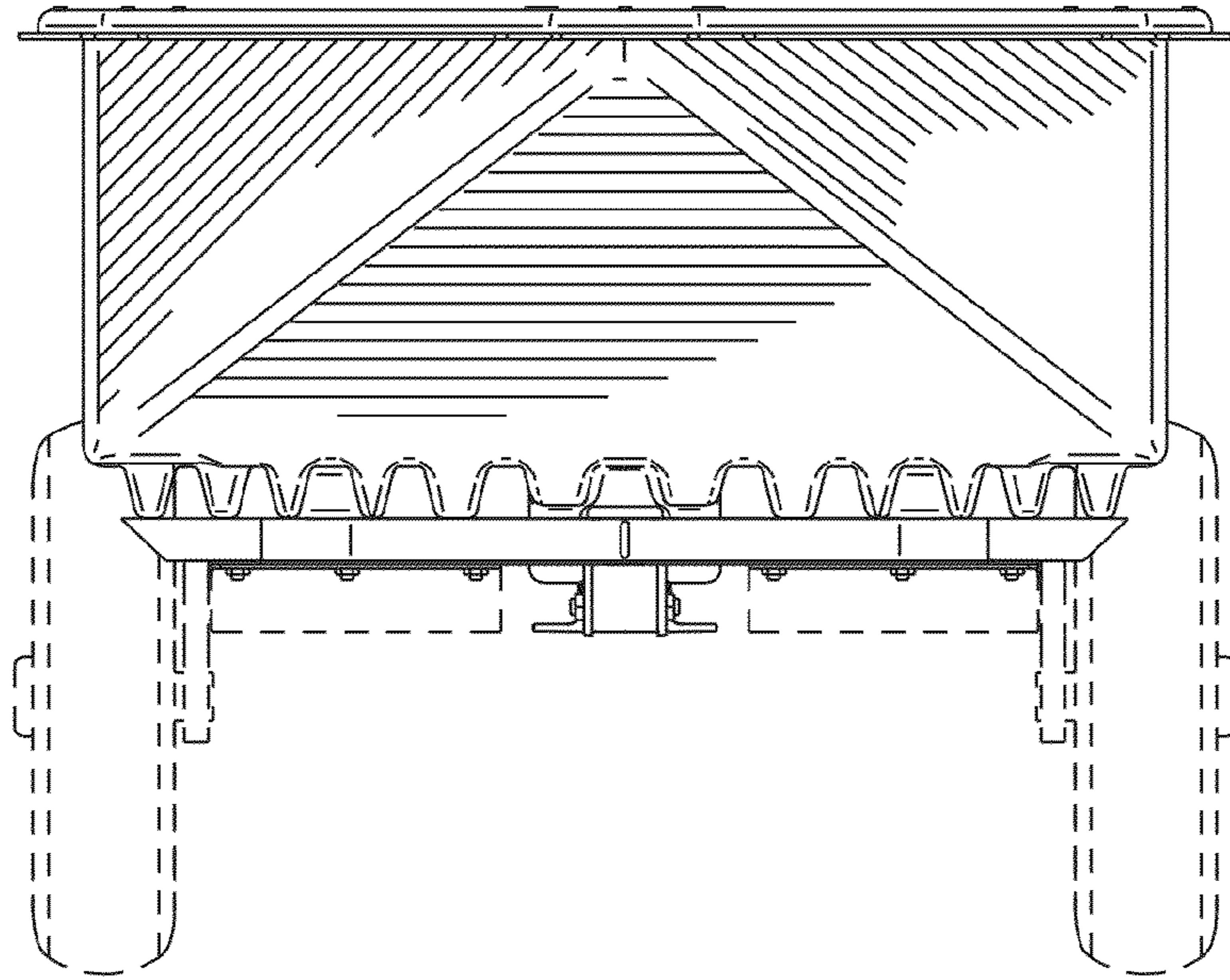


FIG. 2

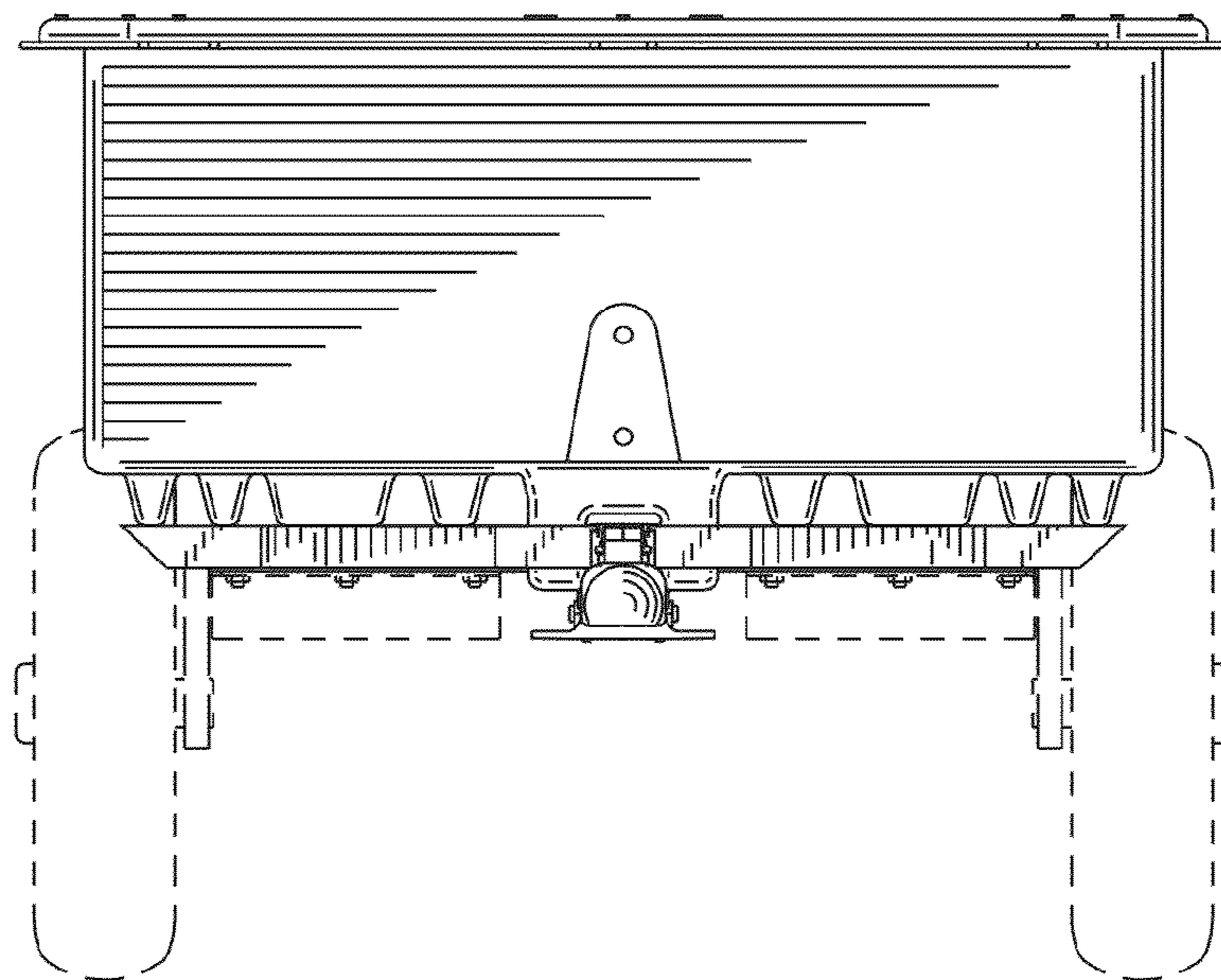


FIG. 3

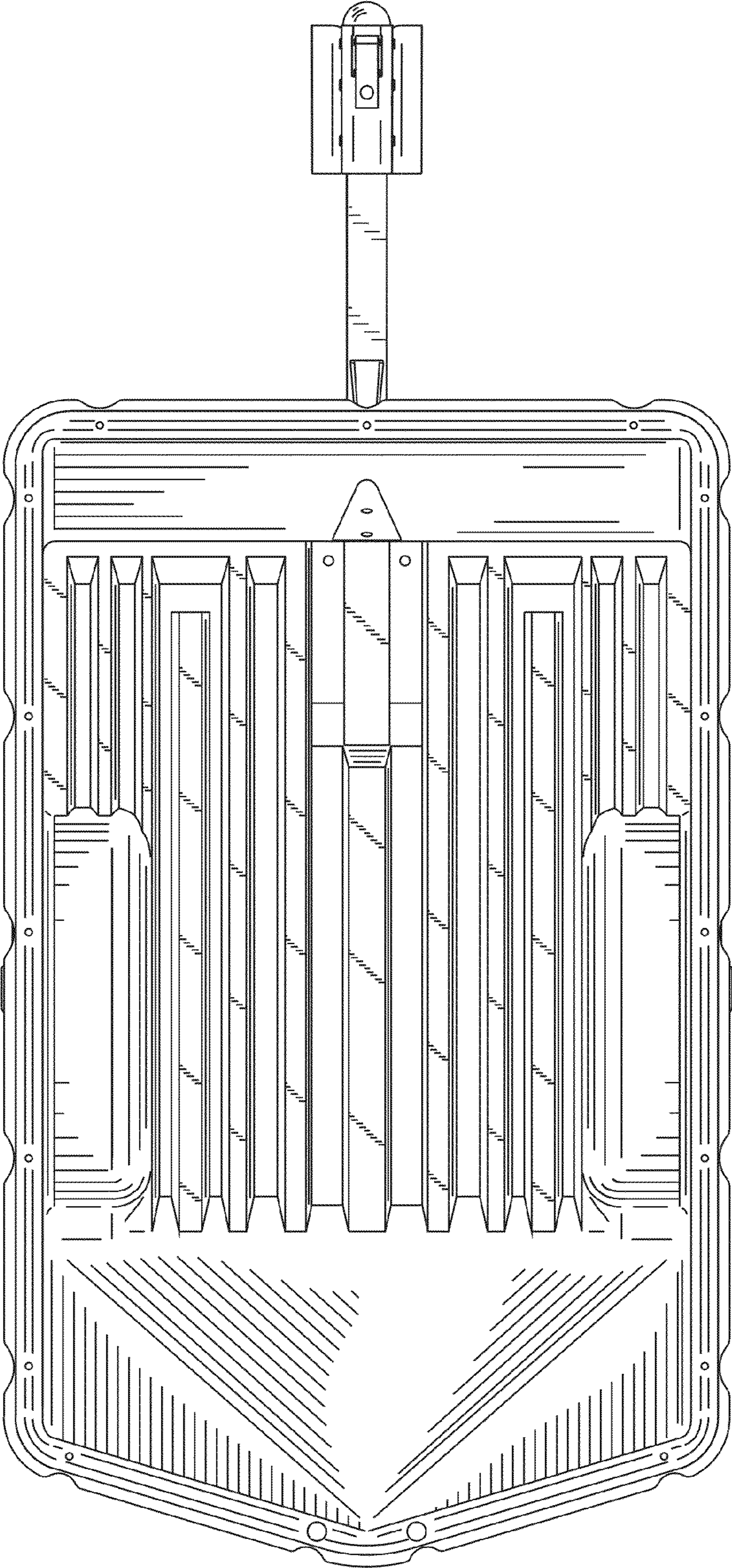


FIG.4

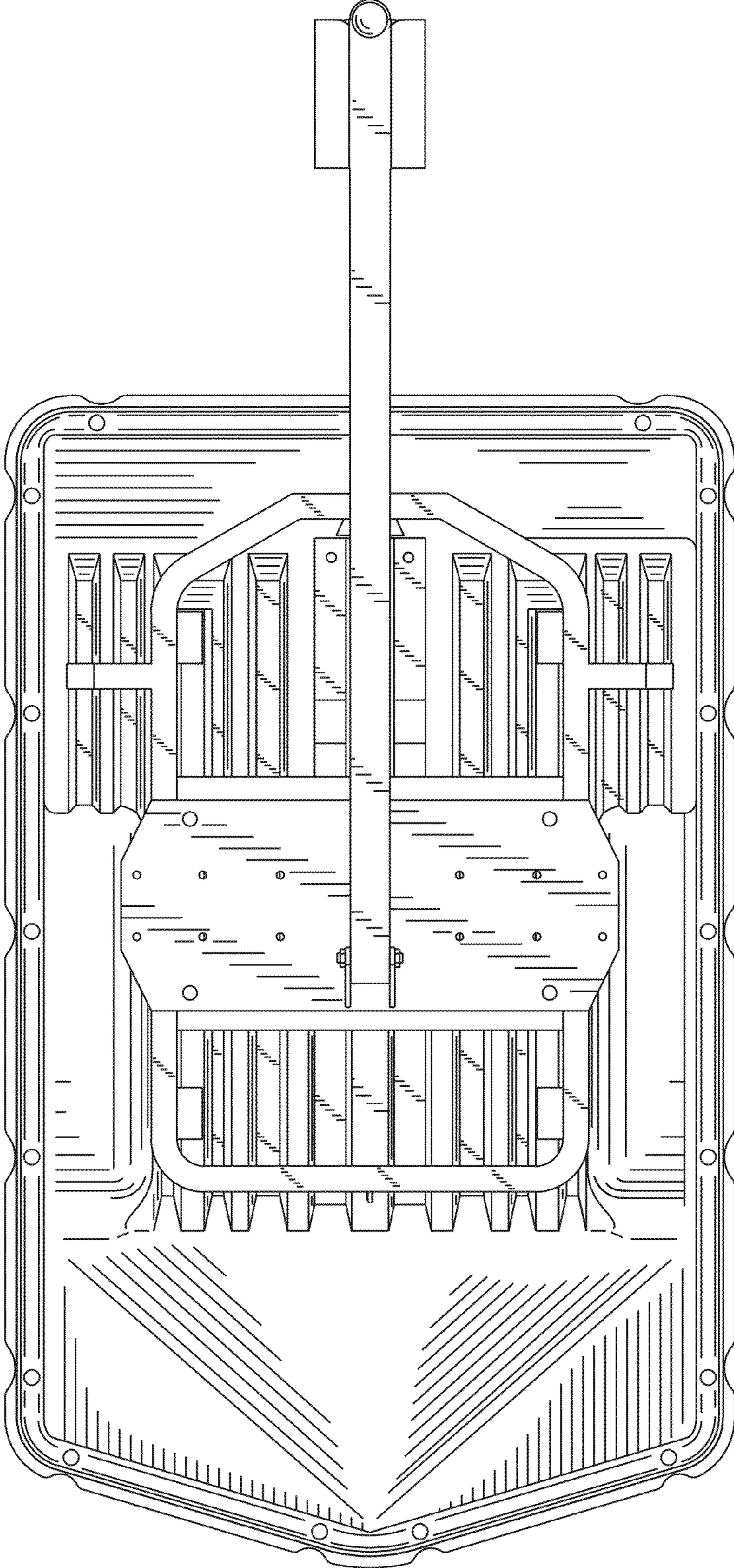


FIG.5

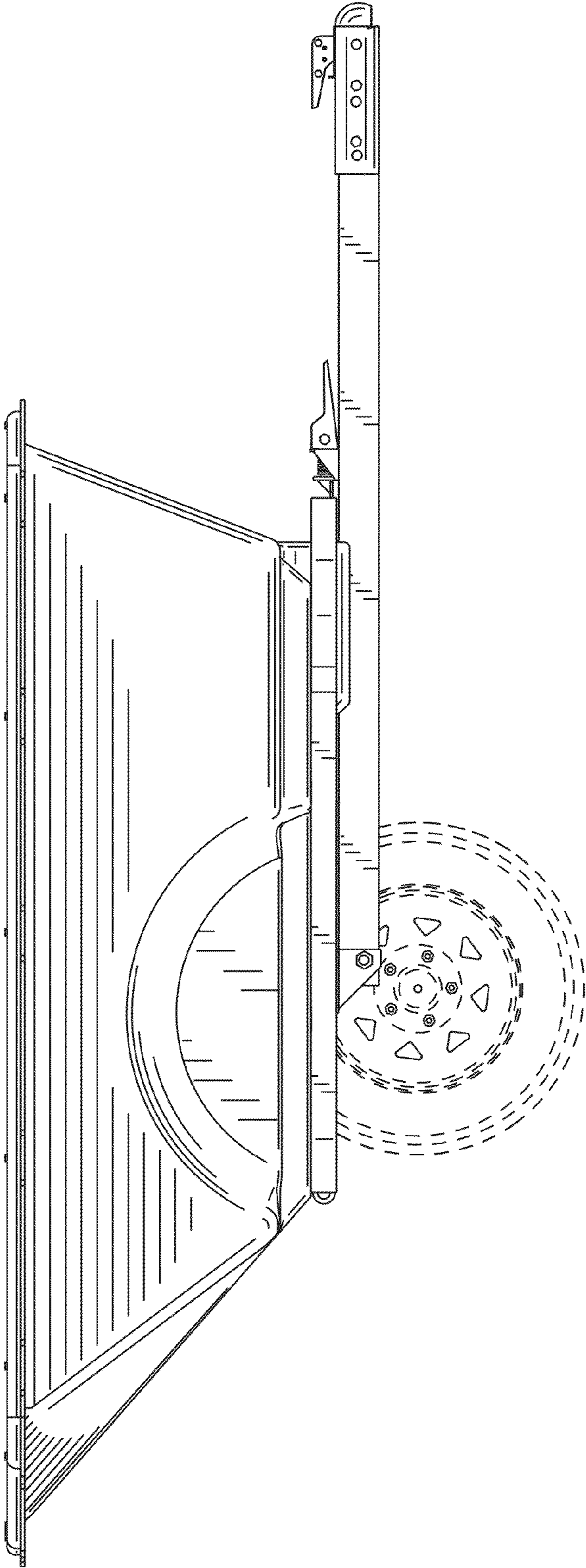


FIG.6