



US00D754411S

(12) **United States Design Patent**
Paz

(10) **Patent No.:** **US D754,411 S**

(45) **Date of Patent:** **** Apr. 19, 2016**

(54) **LITTER RECEPTACLE**

(71) Applicant: **LANDSCAPE FORMS, INC.**,
Kalamazoo, MI (US)

(72) Inventor: **Francisco Gomez Paz**, Milan (IT)

(73) Assignee: **LANDSCAPE FORMS, INC.**,
Kalamazoo, MI (US)

(**) Term: **14 Years**

(21) Appl. No.: **29/519,435**

(22) Filed: **Mar. 5, 2015**

(51) **LOC (10) Cl.** **09-09**

(52) **U.S. Cl.**
USPC **D34/1**

(58) **Field of Classification Search**
USPC D34/1-11; 220/908-913
CPC B65F 1/06; B65F 1/10; B65F 1/1607;
B65F 1/163; B65F 1/16
See application file for complete search history.

(56) **References Cited**

U.S. PATENT DOCUMENTS

D322,347 S * 12/1991 Skalka D34/5
D476,454 S * 6/2003 Skalka D34/1

D476,455 S * 6/2003 Skalka D34/1
D546,014 S * 7/2007 Pappas D34/1
D602,221 S * 10/2009 Skalka D34/1
D606,271 S * 12/2009 Skalka D34/1
D734,583 S * 7/2015 Gerard D34/1

* cited by examiner

Primary Examiner — Cynthia Ramirez

(74) *Attorney, Agent, or Firm* — Heslin Rothenberg Farley
& Mesiti P.C

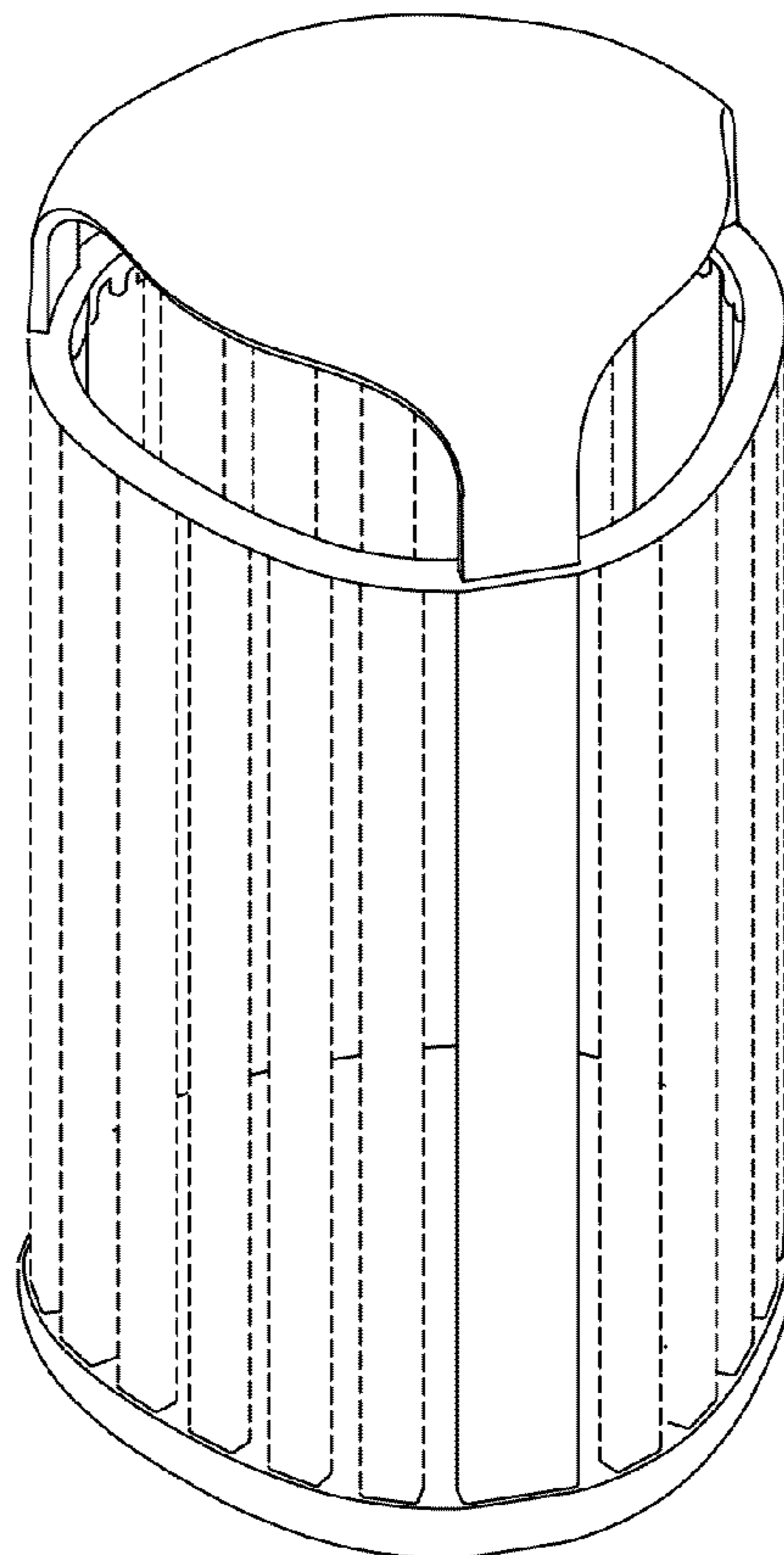
(57) **CLAIM**

The ornamental design for a litter receptacle, as shown and described.

DESCRIPTION

FIG. 1 is a perspective view of the litter receptacle of the present invention;
FIG. 2 is a front elevation view thereof;
FIG. 3 is a top plan view thereof;
FIG. 4 is a right side elevation view thereof, the left side elevation view being a mirror image thereof; and,
FIG. 5 is a rear elevation view thereof.
The broken lines in the figures are for purposes of illustrating environment only and form no part of the claimed design.

1 Claim, 5 Drawing Sheets



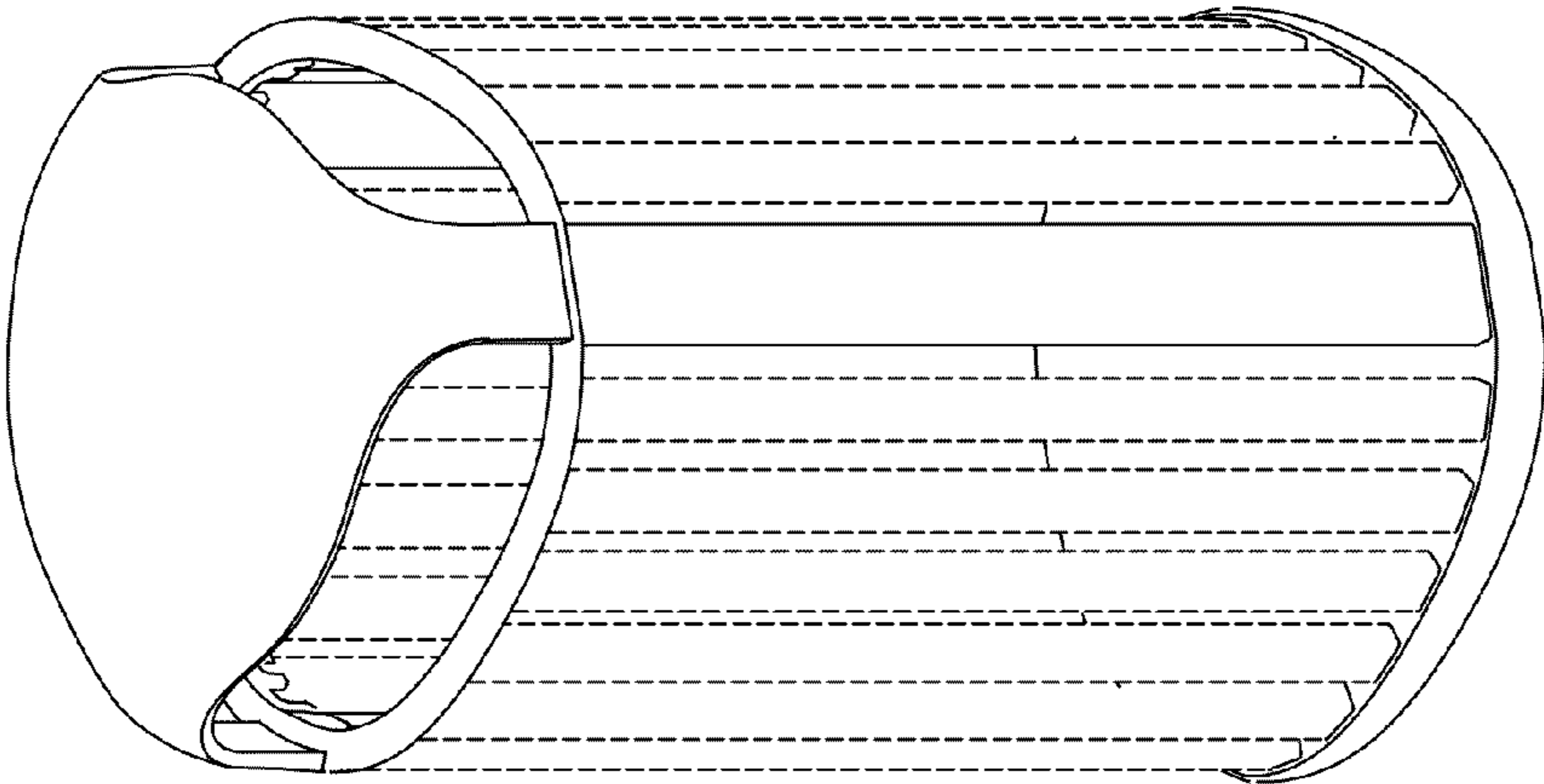


FIGURE 1

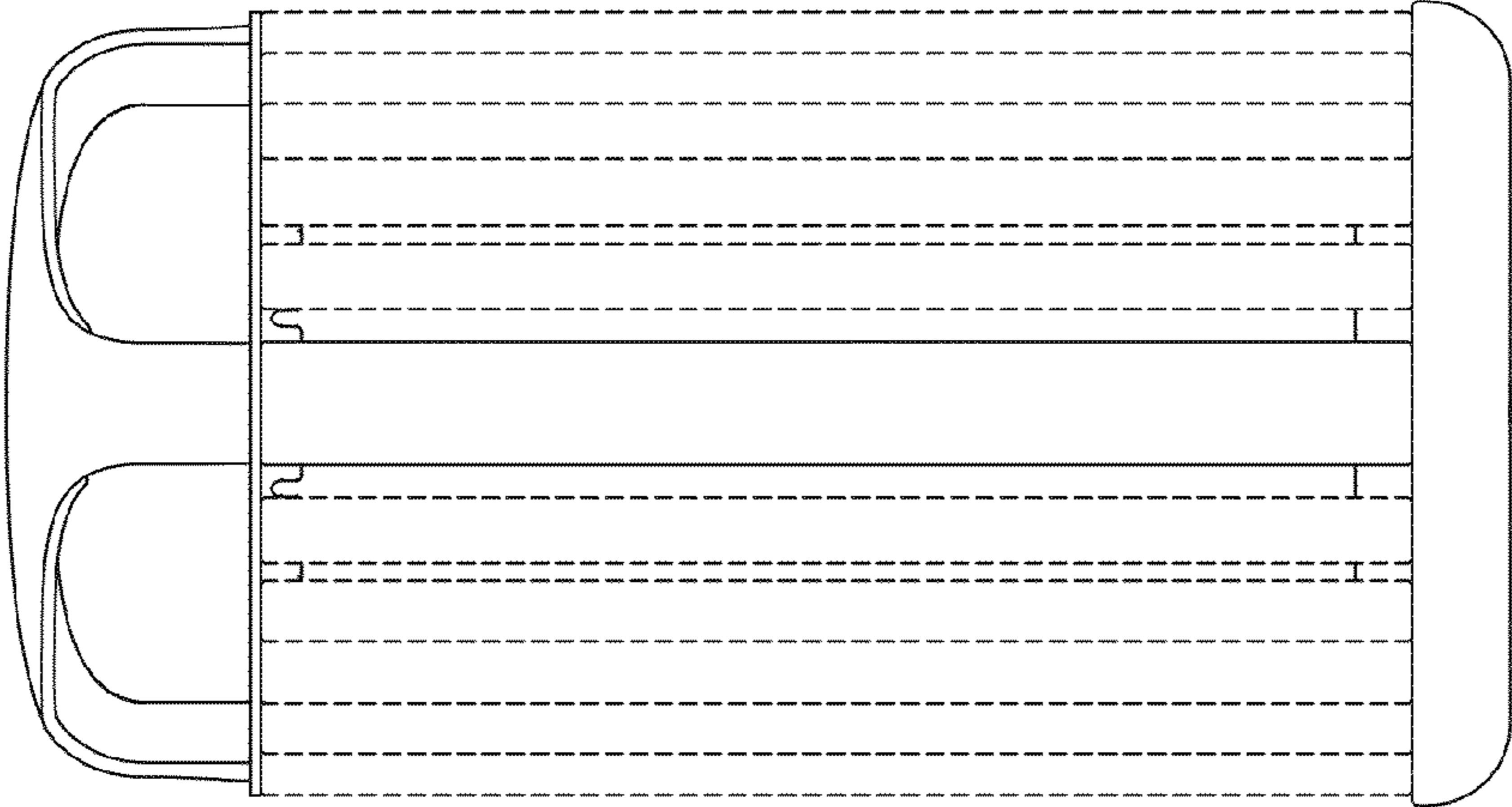


FIGURE 2

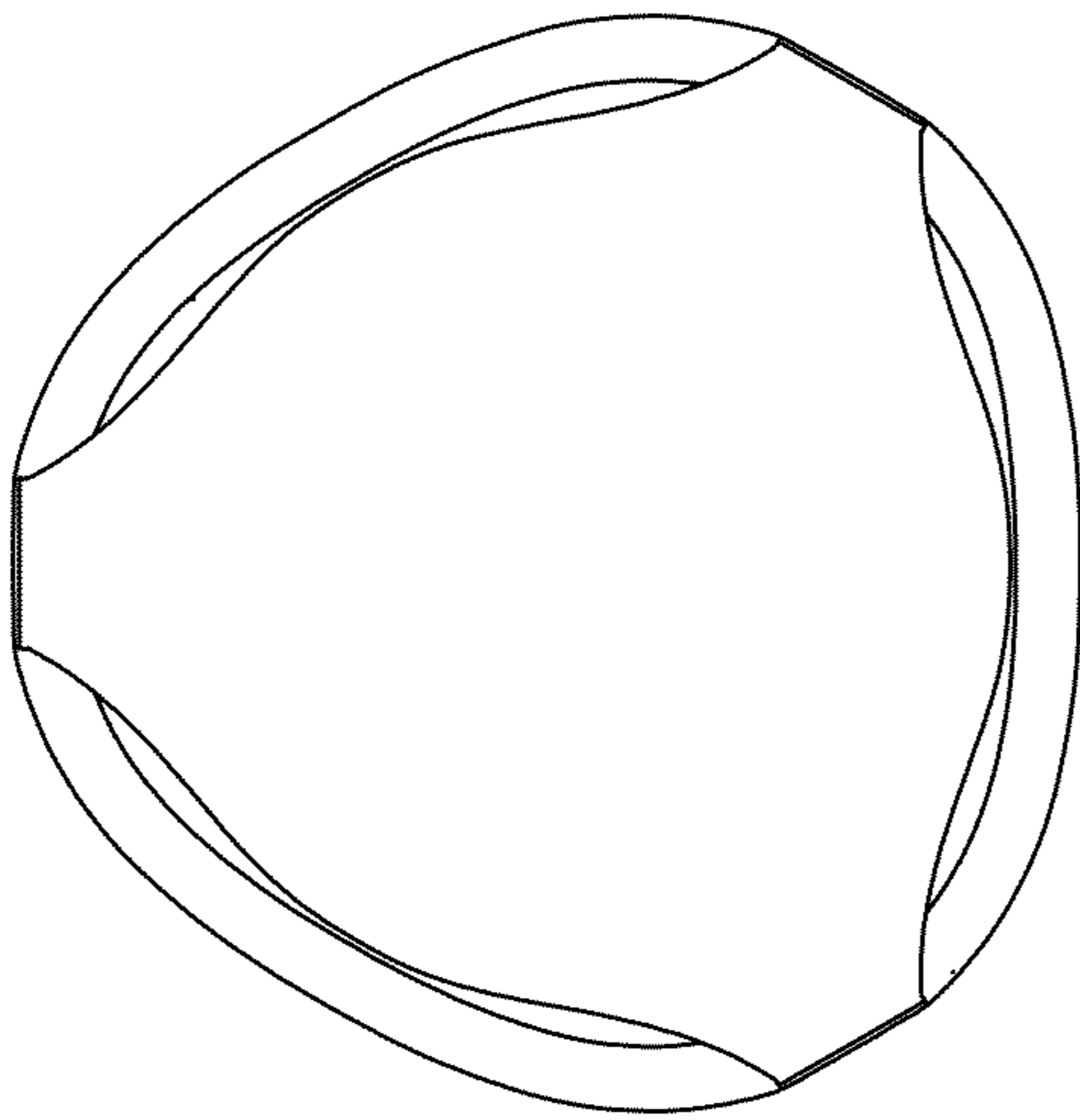


FIGURE 3

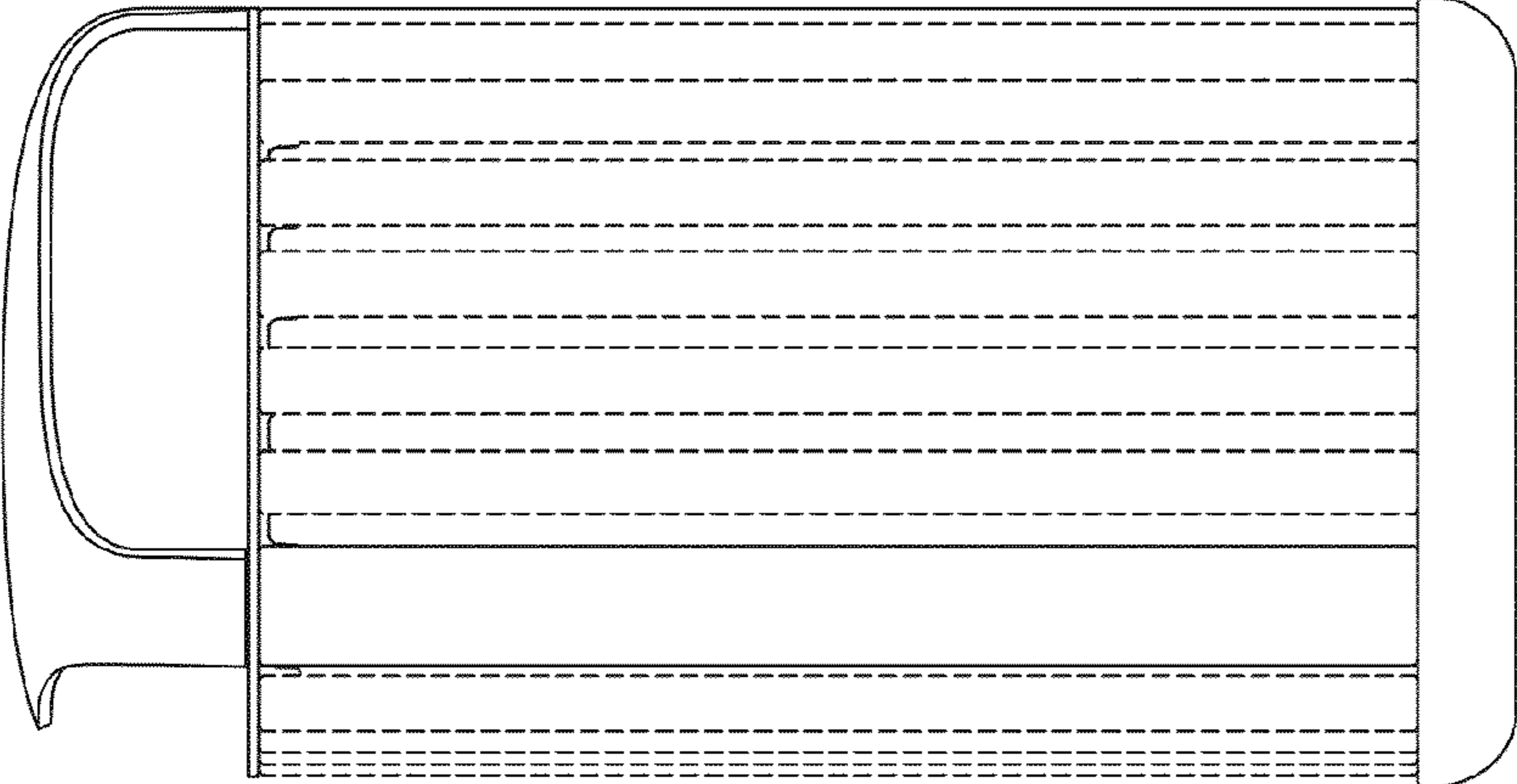


FIGURE 4

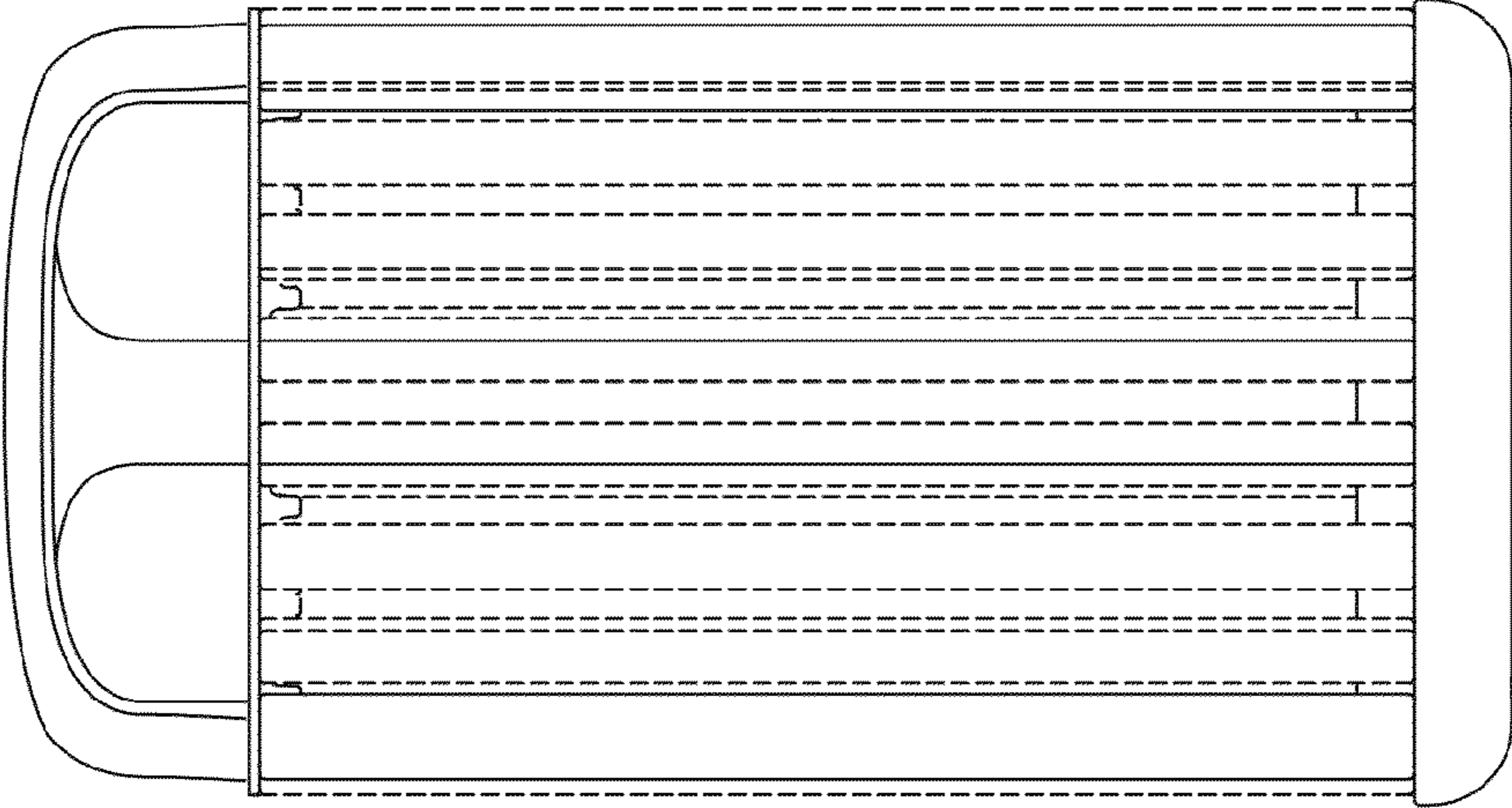


FIGURE 5