



US00D754408S

(12) **United States Design Patent**  
**Garrett et al.**

(10) **Patent No.:** **US D754,408 S**

(45) **Date of Patent:** **\*\* Apr. 19, 2016**

(54) **STAIN KIT**

(71) Applicant: **PureColor, Inc.**, Albuquerque, NM (US)

(72) Inventors: **Kano Jessica Garrett**, Santa Fe, NM (US); **Michelle A. Bilder**, Irvine, CA (US)

(73) Assignee: **PureColor, Inc.**, Albuquerque, NM (US)

(\*\*) Term: **14 Years**

(21) Appl. No.: **29/469,627**

(22) Filed: **Oct. 11, 2013**

(51) **LOC (10) Cl.** ..... **08-99**

(52) **U.S. Cl.**  
USPC ..... **D32/35**

(58) **Field of Classification Search**  
USPC ..... D3/273, 274, 303, 304; D9/414, 416, D9/420, 430, 432, 501, 503, 517, 700, 721, D9/761; D32/6, 14.1, 15, 35  
CPC ..... B65B 1/00; B65B 3/00; B65B 3/045; B65B 25/141; B65D 1/22; B65D 1/225; B65D 1/26; B65D 5/32  
See application file for complete search history.

(56) **References Cited**

**U.S. PATENT DOCUMENTS**

- 2,957,617 A \* 10/1960 Bolding ..... 229/117.04
- D268,098 S \* 3/1983 Brown ..... D9/432
- 5,759,146 A \* 6/1998 Wilkinson ..... 493/349
- D432,912 S \* 10/2000 Lubineau-Bigot et al. .... D9/416
- D438,101 S \* 2/2001 Koster ..... D9/432
- D536,245 S \* 2/2007 Bruun ..... D9/432

- D536,965 S \* 2/2007 Levy ..... D9/430
- D580,263 S \* 11/2008 Yi Man ..... D9/432
- D583,660 S \* 12/2008 Steiger et al. .... D9/432
- D606,855 S \* 12/2009 Jo et al. .... D9/423

(Continued)

*Primary Examiner* — George D Kirschbaum

*Assistant Examiner* — Natasha Vujcic

(74) *Attorney, Agent, or Firm* — Deborah A. Peacock; Jeffrey D. Myers; Peacock Myers, P.C.

(57) **CLAIM**

The ornamental design for a stain kit, as shown and described.

**DESCRIPTION**

FIG. 1 is a top perspective view of the open stain kit embodying our new design, a box containing liquid concentrate in a bottle and powdered activator in a bag;

FIG. 2 is a bottom view of the open stain kit;

FIG. 3 is a top view of the open stain kit;

FIG. 4 is a front view of the open stain kit;

FIG. 5 is a rear view of the open stain kit;

FIG. 6 is a right-side view of the open stain kit;

FIG. 7 is a left-side view of the open stain kit;

FIG. 8 is a top perspective view of the closed stain kit embodying our new design;

FIG. 9 is a bottom view of the closed stain kit;

FIG. 10 is a top view of the closed stain kit;

FIG. 11 is a front view of the closed stain kit;

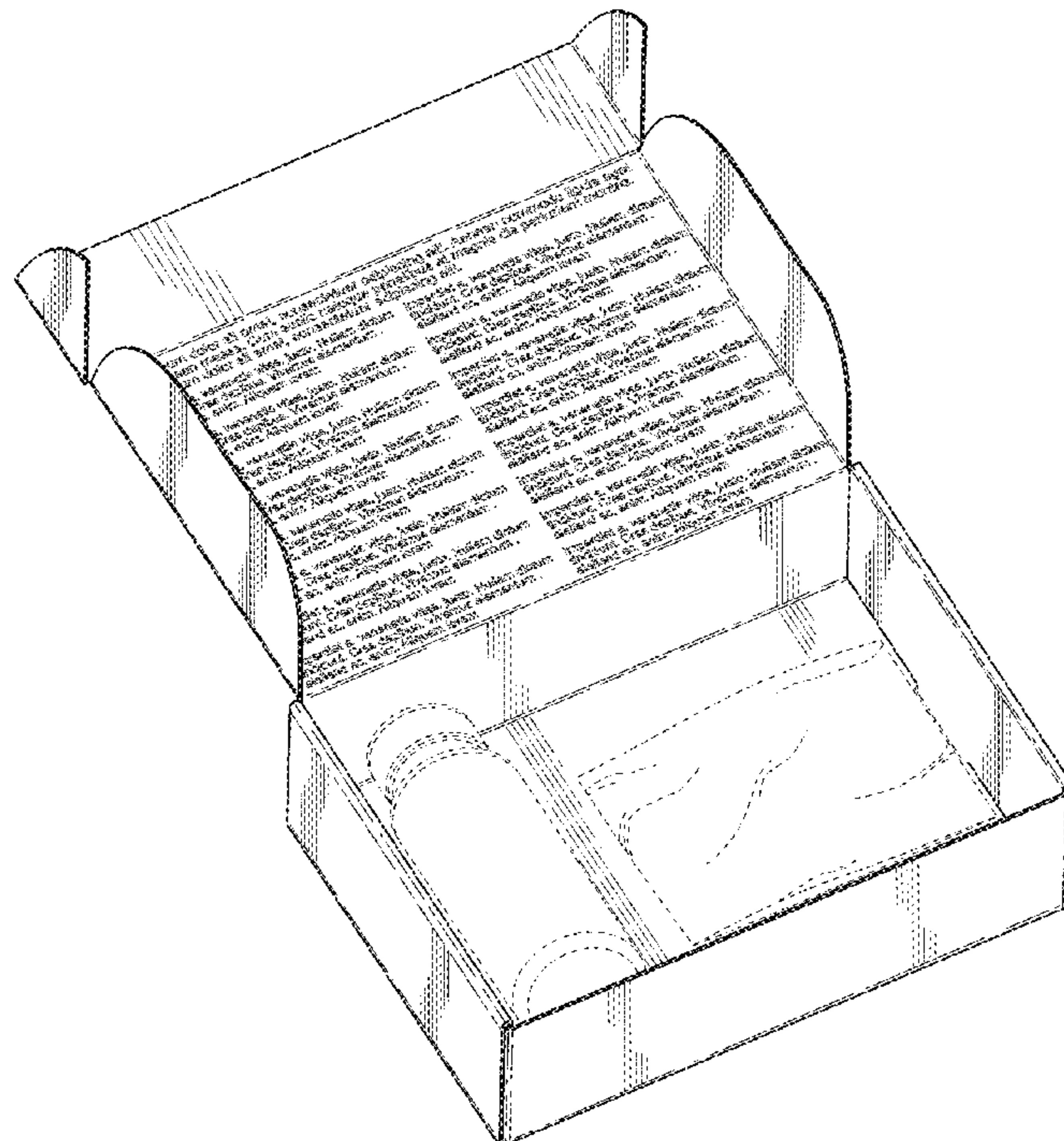
FIG. 12 is a rear view of the closed stain kit;

FIG. 13 is a right-side view of the closed stain kit; and,

FIG. 14 is a left-side view of the closed stain kit.

The broken lines in the drawings illustrate indicia which form no part of the claimed design.

**1 Claim, 7 Drawing Sheets**



# US D754,408 S

Page 2

---

(56)

## References Cited

### U.S. PATENT DOCUMENTS

D643,306 S \* 8/2011 Martinez et al. .... D9/721  
D669,352 S \* 10/2012 Paslawski ..... D9/423  
D681,452 S \* 5/2013 Dennen et al. .... D9/433

D682,119 S \* 5/2013 Buford ..... D9/721  
D690,554 S \* 10/2013 Presley ..... D7/368  
D693,678 S \* 11/2013 Kanchan ..... D9/432  
2013/0068830 A1\* 3/2013 Colon ..... 229/101.2  
2015/0093509 A1\* 4/2015 Kennedy et al. .... 427/280

\* cited by examiner

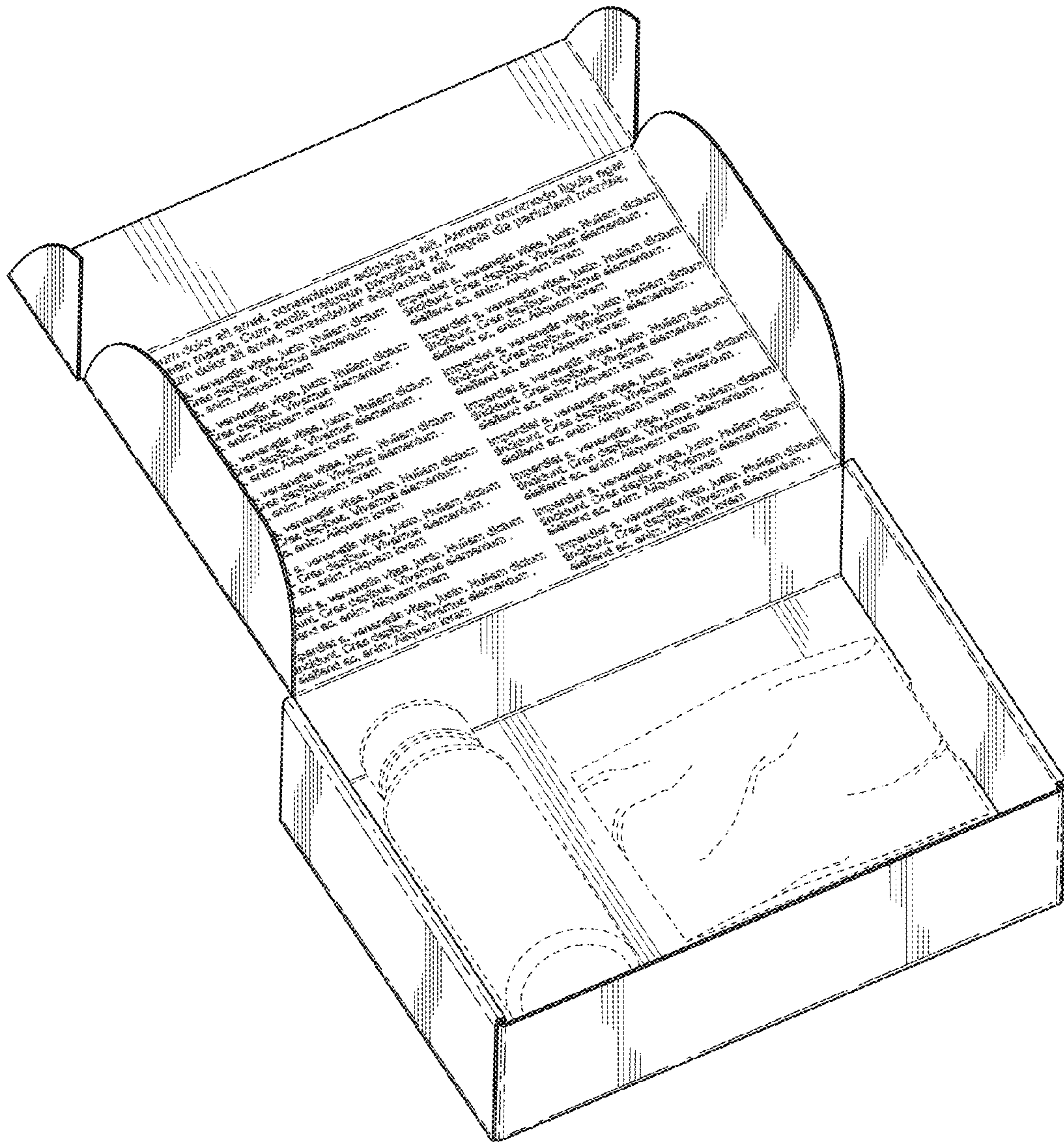


FIG. 1



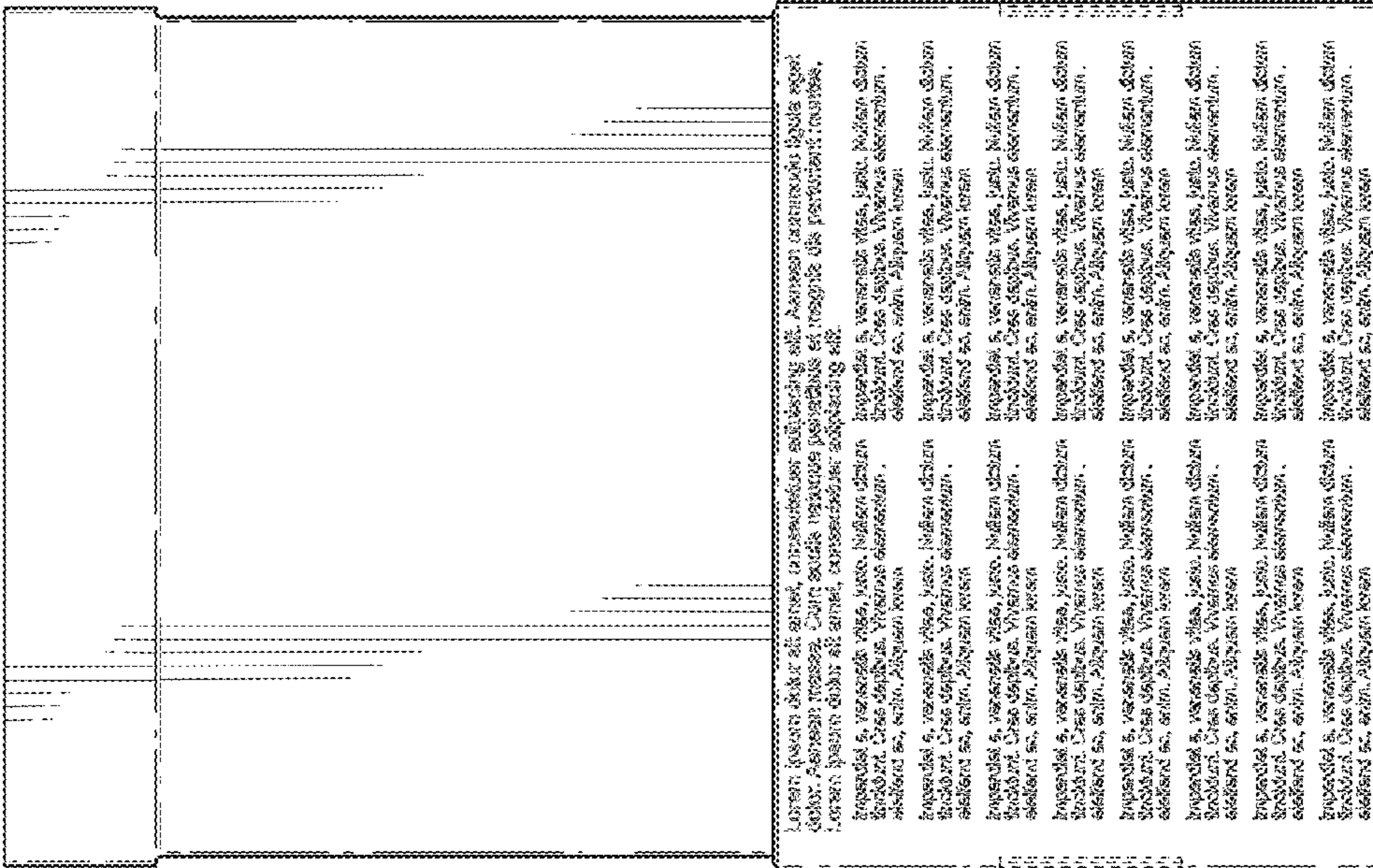


FIG. 2

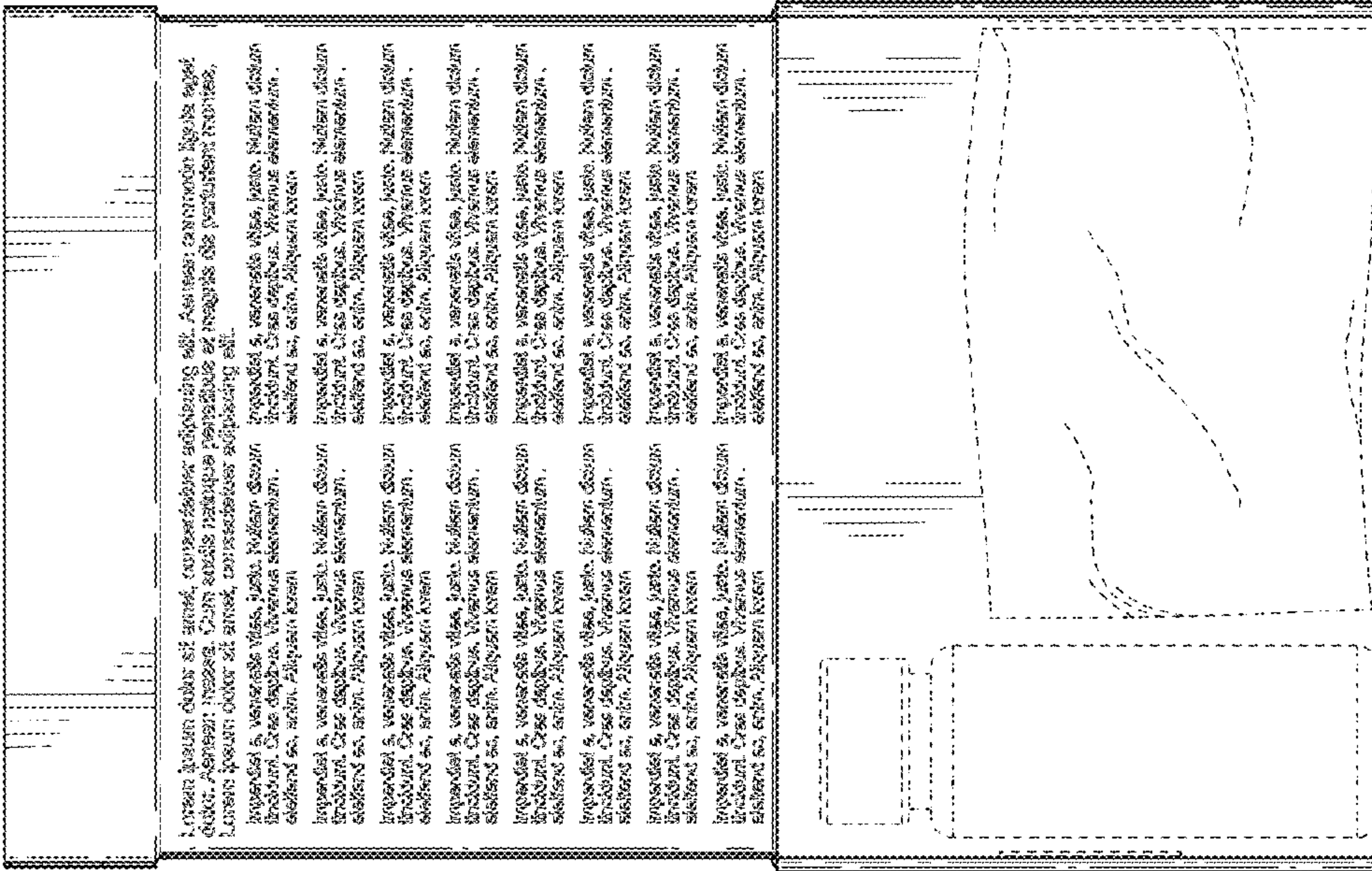


FIG. 3

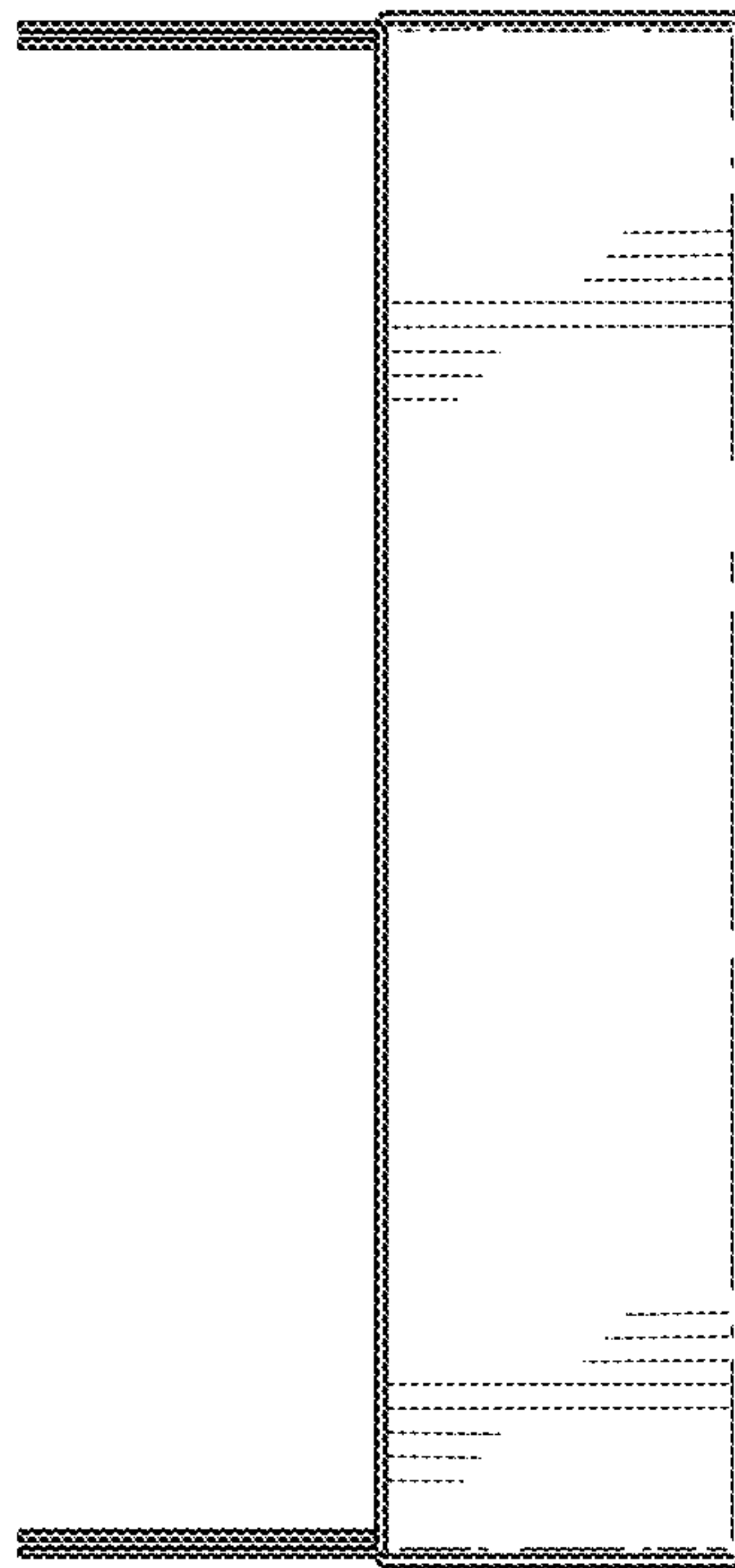


FIG. 5

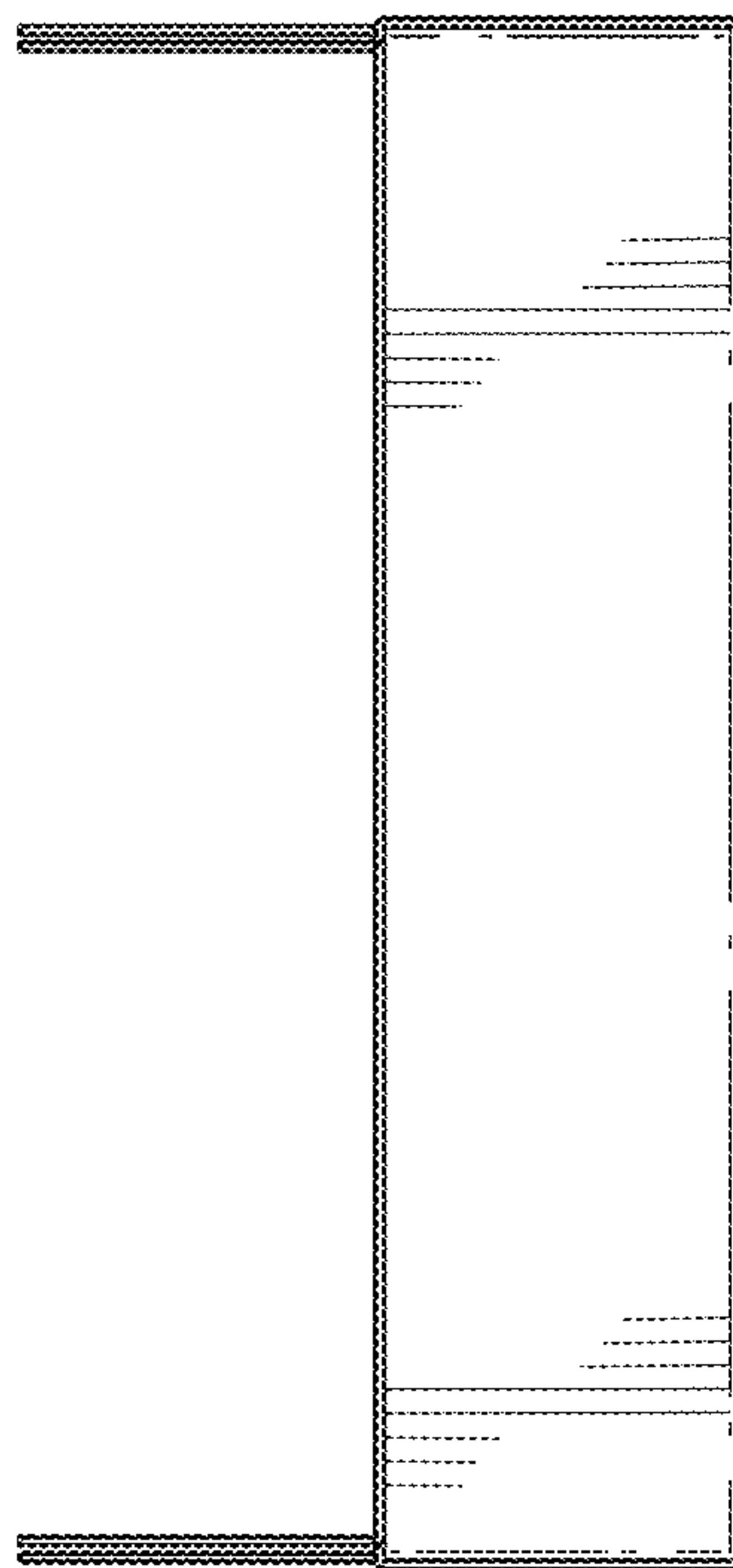


FIG. 4

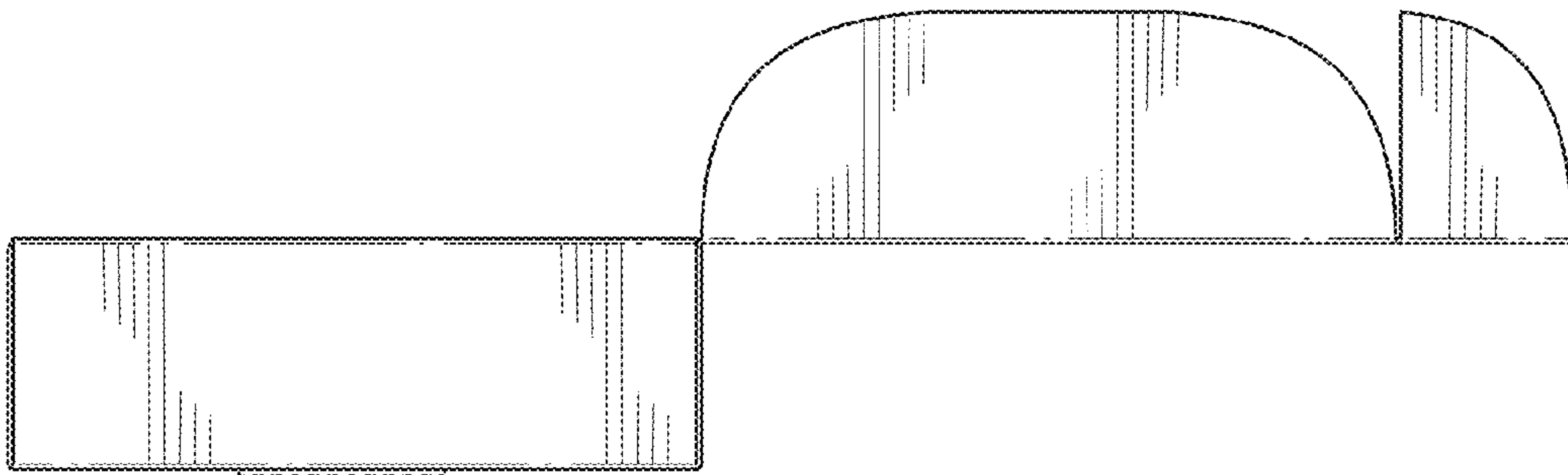


FIG. 6

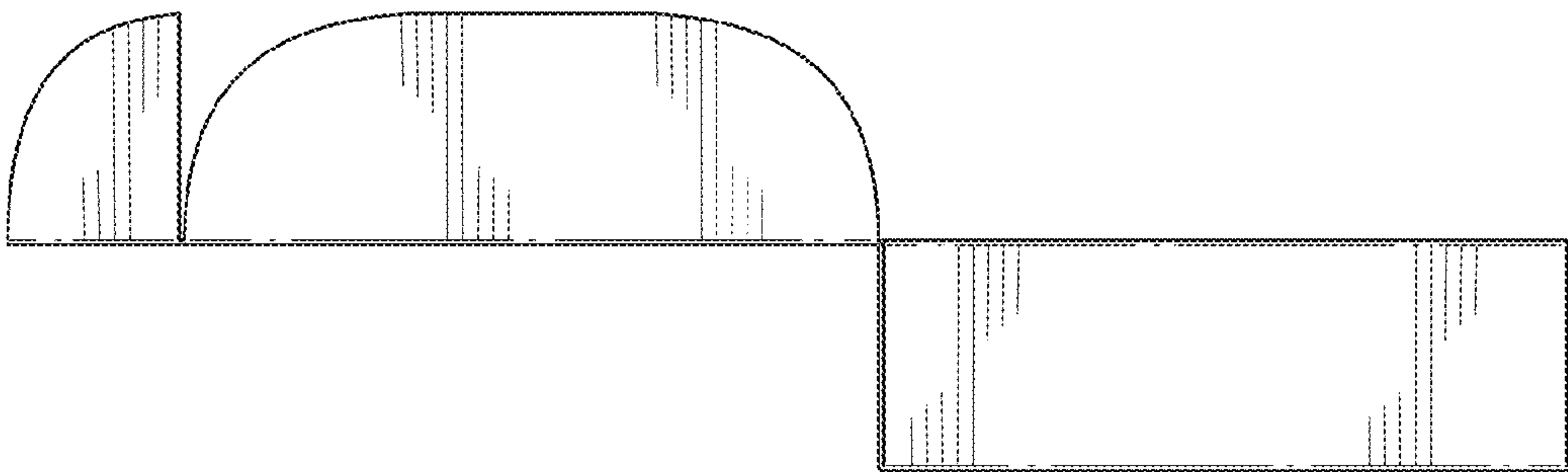


FIG. 7

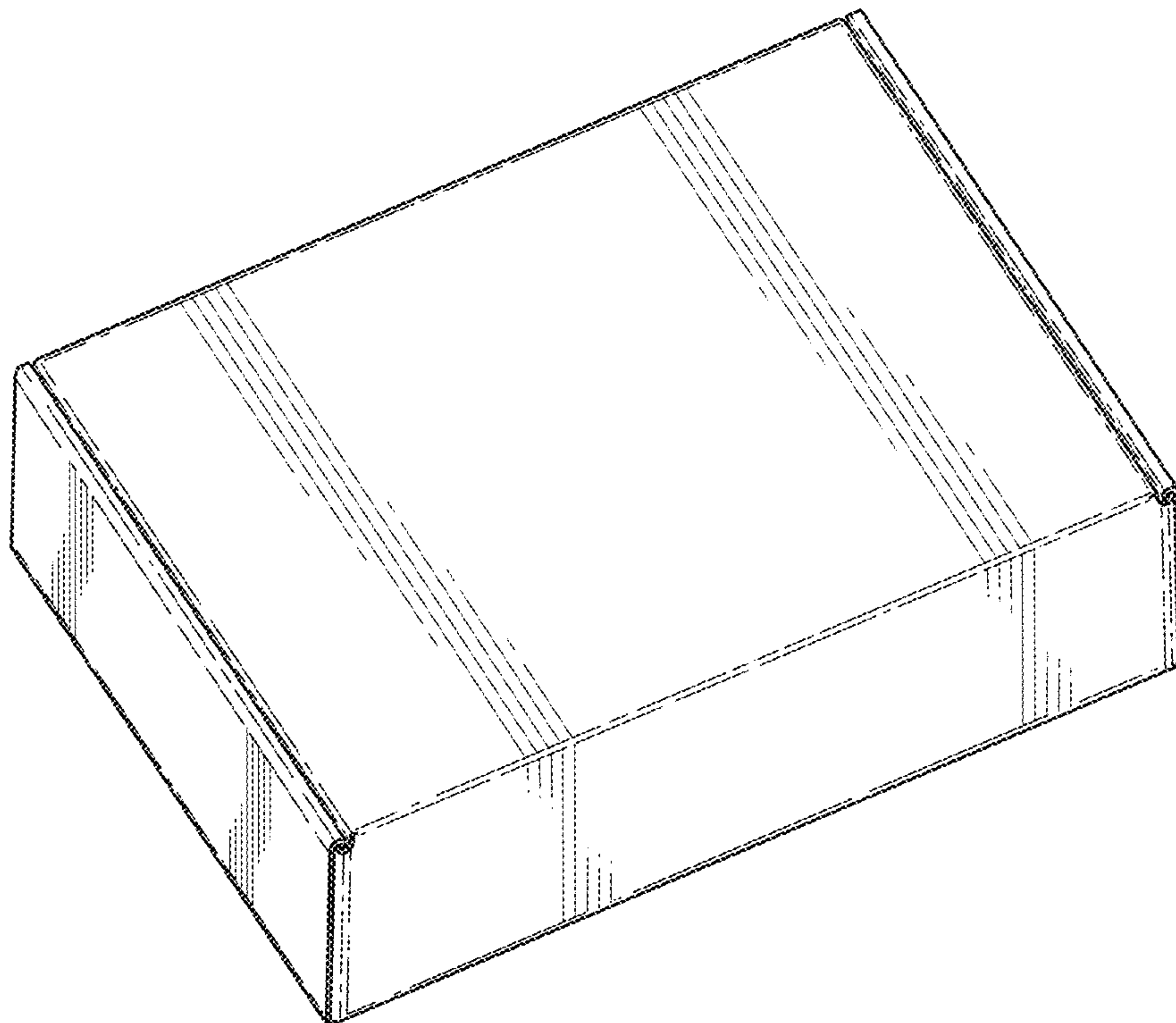


FIG. 8



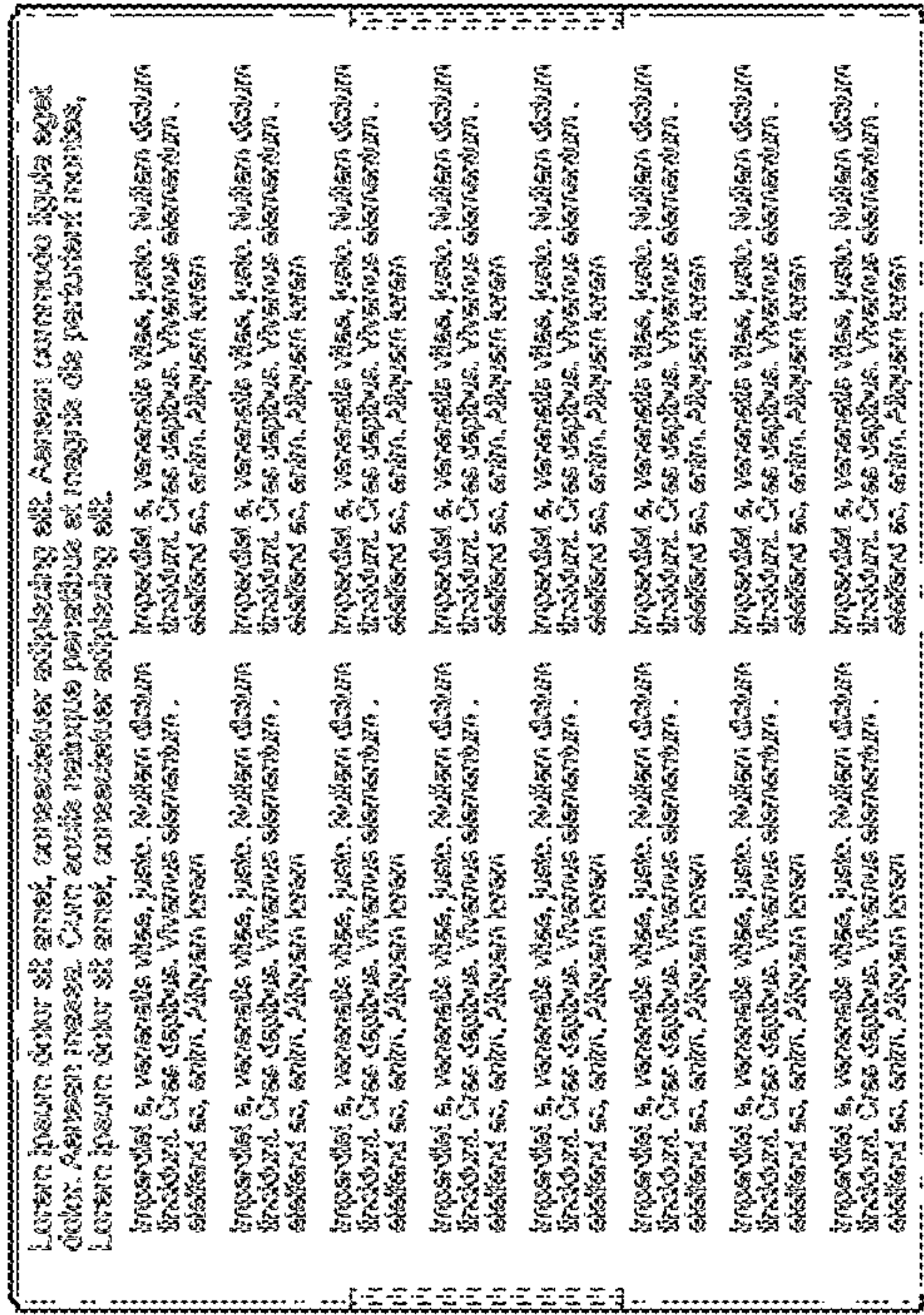


FIG. 9

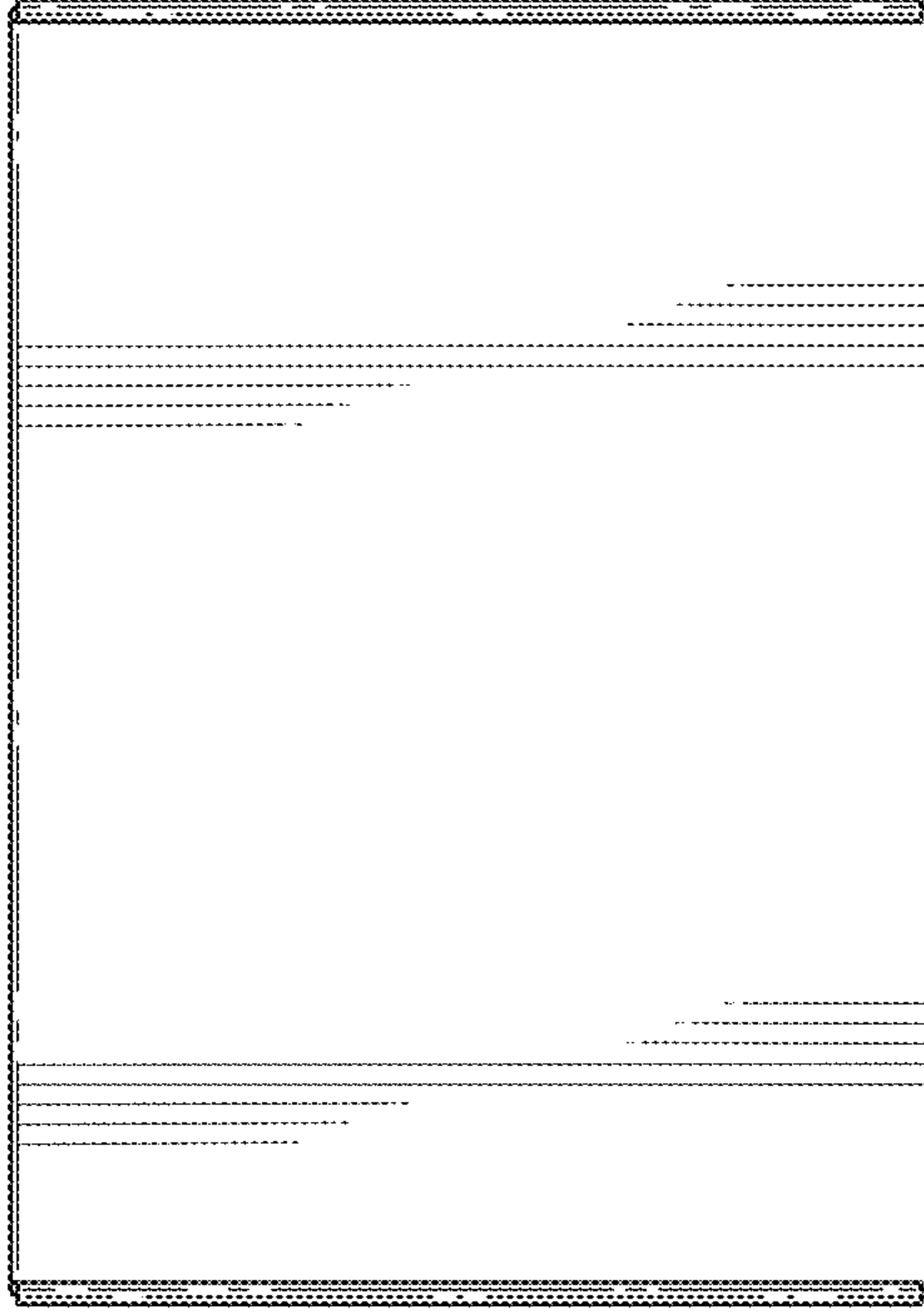


FIG. 10



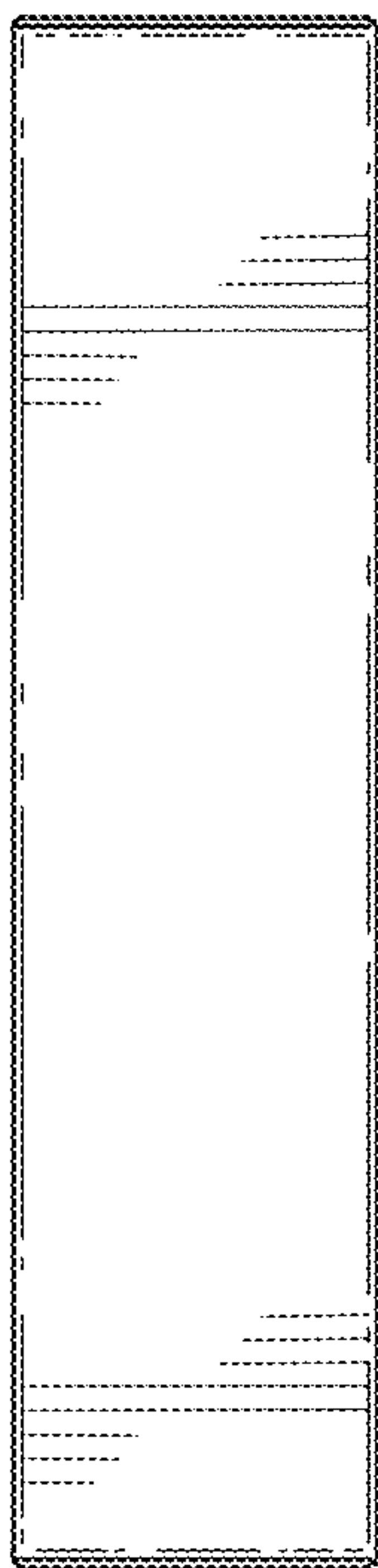


FIG. 11

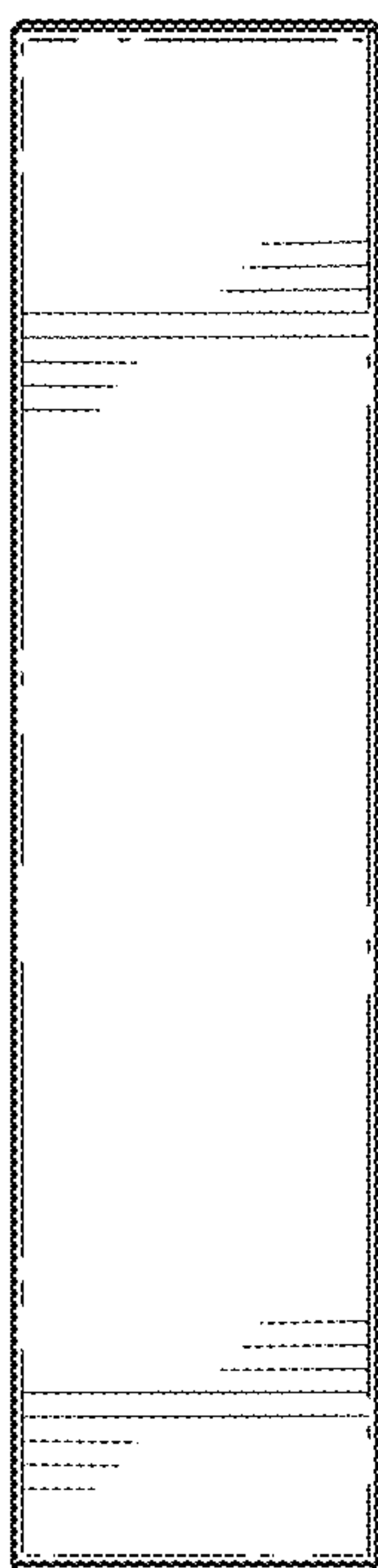


FIG. 12

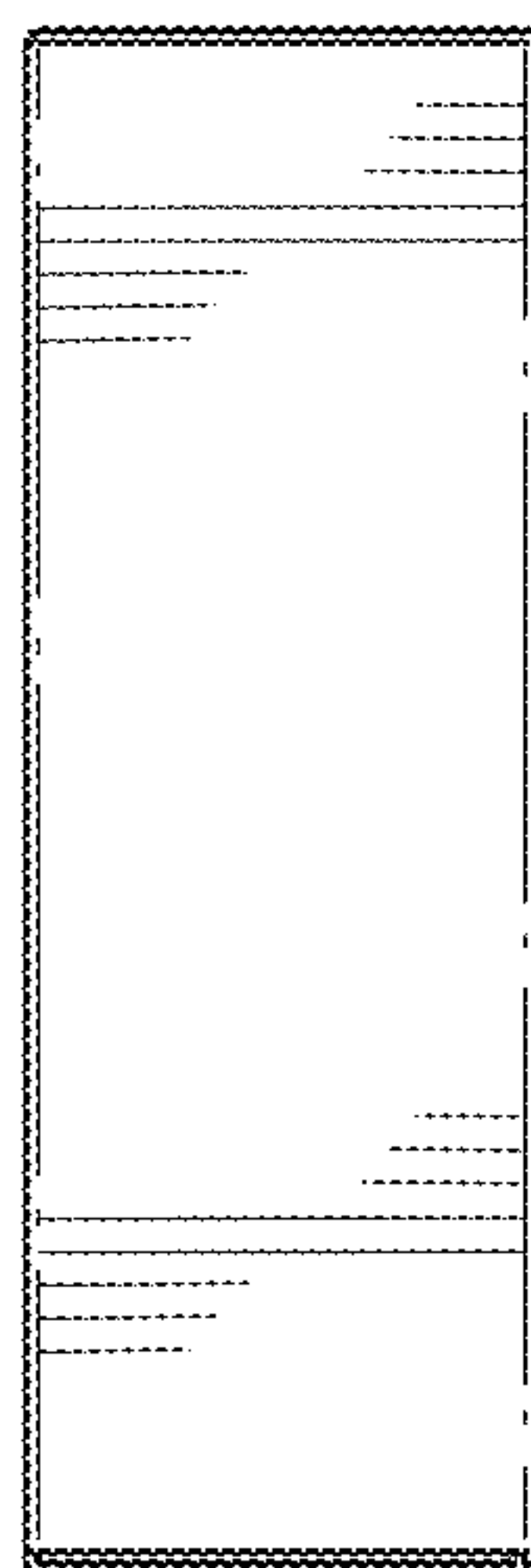


FIG. 13

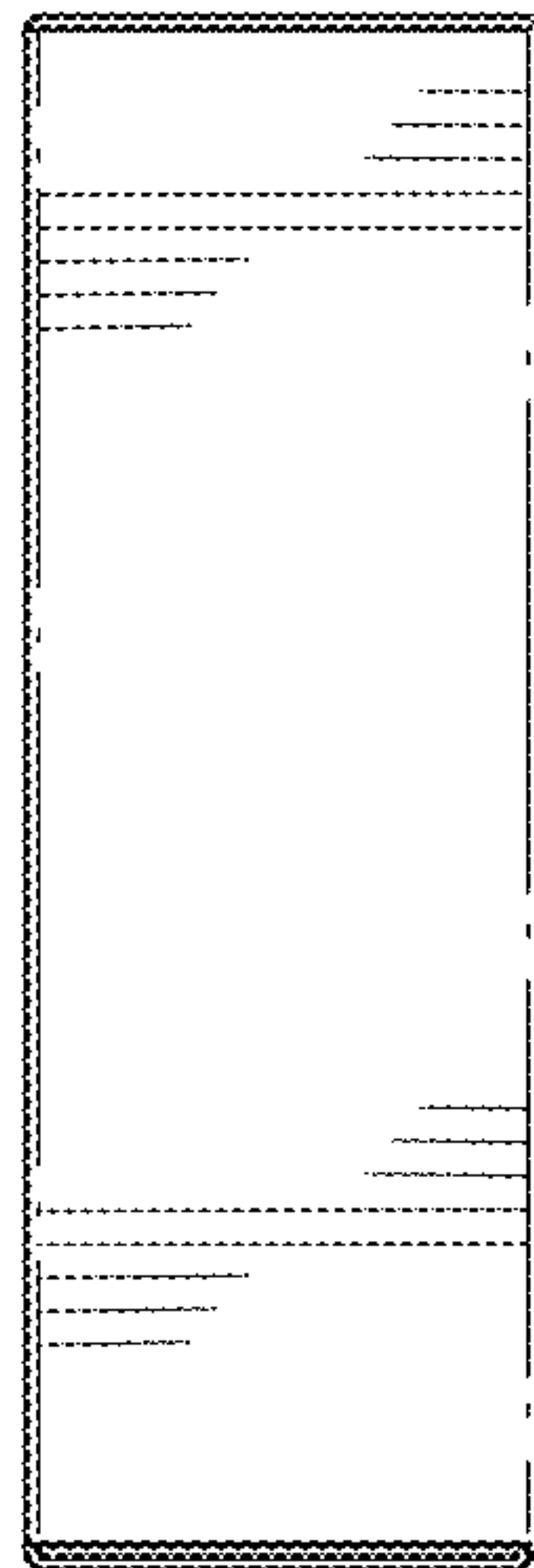


FIG. 14