



US00D754407S

(12) **United States Design Patent**
Chung et al.

(10) **Patent No.:** **US D754,407 S**
(45) **Date of Patent:** **** Apr. 19, 2016**

(54) **ELECTRIC WASHING MACHINE**

FOREIGN PATENT DOCUMENTS

(71) Applicant: **LG Electronics Inc.**, Seoul (KR)

WO WO D007100-001 * 8/1986

(72) Inventors: **Wookjun Chung**, Seoul (KR); **Hoil Jeon**, Gyeonggi-do (KR); **Youjin Chung**, Gyeonggi-do (KR); **Yeji Um**, Seoul (KR); **Taewoo Yoo**, Seoul (KR)

OTHER PUBLICATIONS

Detergent Dispenser Location in Samsung Top Load Washing Machines, update Dec. 26, 2012, online, http://support-us.samsung.com/...odelname=WA456DRHDSU/AA&from_osc=&idx=419549&modelcode=WA456DRHDSU/AA&, [site visited Mar. 21, 2015 5:30:34 PM].*

(73) Assignee: **LG Electronics Inc.**, Seoul (KR)

(Continued)

(**) Term: **14 Years**

Primary Examiner — John Windmuller

(21) Appl. No.: **29/468,232**

Assistant Examiner — John R Yeh

(22) Filed: **Sep. 27, 2013**

(74) *Attorney, Agent, or Firm* — Morgan, Lewis & Bockius LLP

(30) **Foreign Application Priority Data**

(57) **CLAIM**

Mar. 29, 2013 (KR) 30-2013-0016262

The ornamental design for an electric washing machine, as shown and described.

(51) **LOC (10) Cl.** **15-05**

DESCRIPTION

(52) **U.S. Cl.**

USPC **D32/25**

(58) **Field of Classification Search**

USPC D32/1, 5-6, 15, 25, 28, 29.1, 30; 68/3 R, 68/13 R, 17 R, 171, 27, 17 A; D6/705, 702; D15/89-90; D7/340-341, 348, 387; 134/56 D, 130, 190; 34/73, 108; 8/158

See application file for complete search history.

(56) **References Cited**

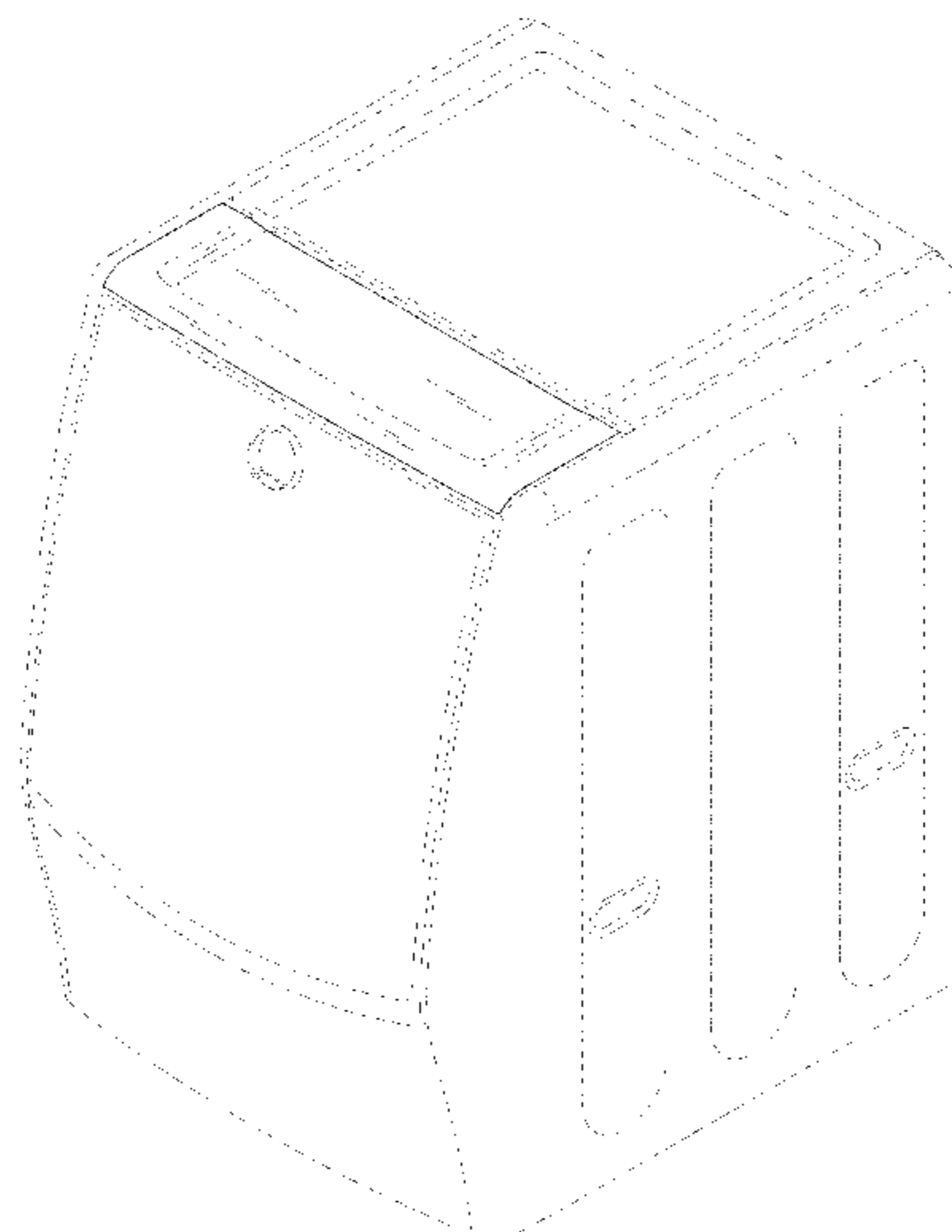
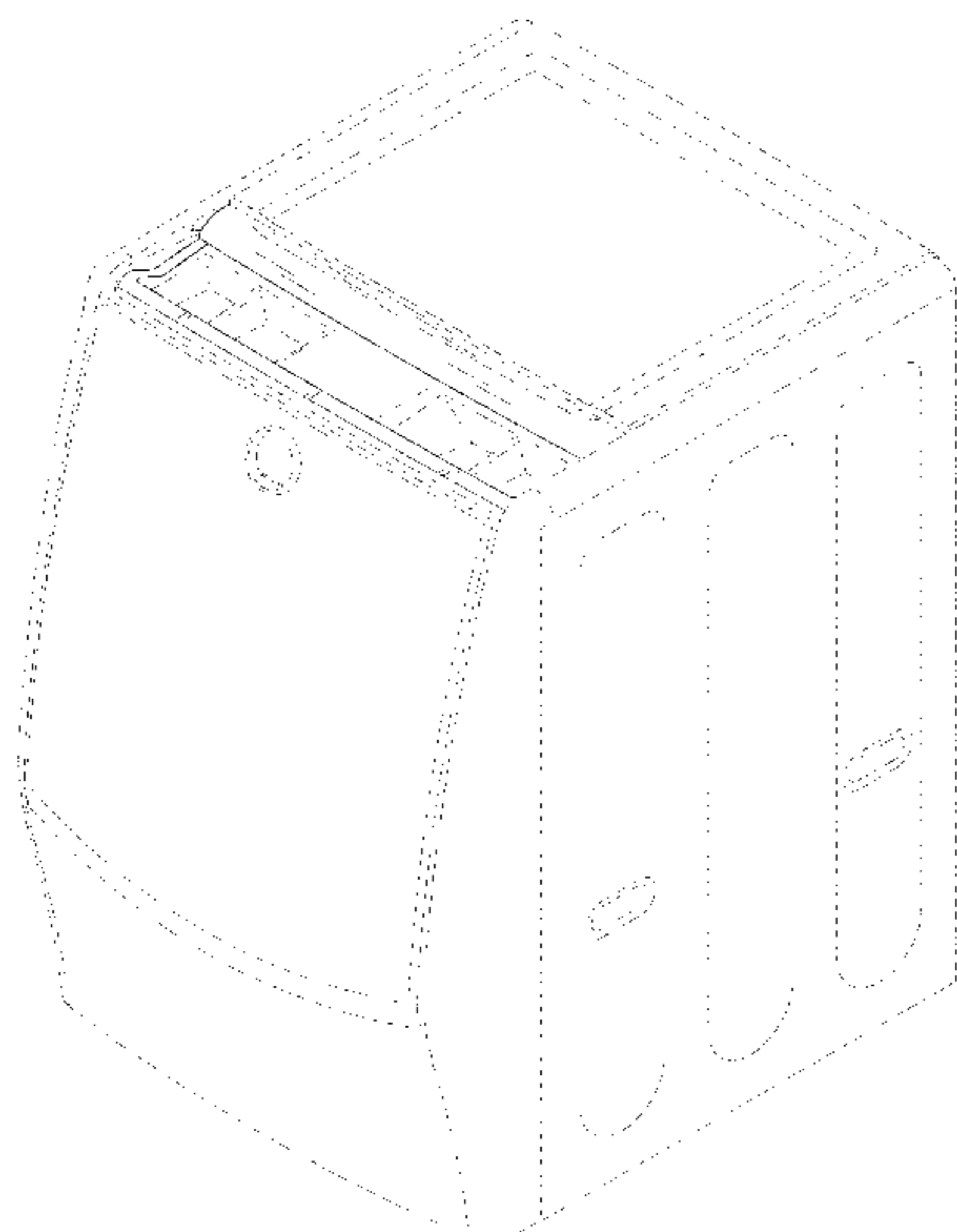
U.S. PATENT DOCUMENTS

D484,651	S	*	12/2003	Linahon et al.	D32/25
D485,400	S	*	1/2004	Kiefer et al.	D32/25
D489,500	S	*	5/2004	Sneddon	D32/25
D519,692	S	*	4/2006	Jun	D32/6
7,313,933	B2	*	1/2008	Carey et al.	68/3 R
D571,964	S	*	6/2008	Kim	D32/6
D575,012	S	*	8/2008	Rossetto et al.	D32/6
D613,916	S	*	4/2010	Montgomery	D32/6

(Continued)

FIG. 1 is a perspective view of the electric washing machine showing our new design;
FIG. 2 is a front view thereof;
FIG. 3 is a rear view thereof;
FIG. 4 is a left side view thereof where the right side view is a mirror image;
FIG. 5 is a top plan view thereof;
FIG. 6 is a bottom plan view thereof;
FIG. 7 is a perspective view showing the state in which the cover of detergent box of the electric washing machine has been half opened;
FIG. 8 is a top plan view of FIG. 7;
FIG. 9 is a perspective view showing the state in which the cover of detergent box of the electric washing machine has been completely closed; and,
FIG. 10 is a top plan view of FIG. 9.
The broken lines are for illustrative purposes only and form no part of the claimed design.

1 Claim, 10 Drawing Sheets



(56)

References Cited

U.S. PATENT DOCUMENTS

D629,168 S * 12/2010 Park et al. D32/25
 D635,380 S * 4/2011 Kim D6/509
 D648,084 S * 11/2011 Browne et al. D32/28
 D648,085 S * 11/2011 Miller et al. D32/28
 D658,343 S * 4/2012 Jeon et al. D32/29.1
 D663,497 S * 7/2012 Ha et al. D32/29.1
 D665,544 S * 8/2012 Jeon et al. D32/6
 8,317,236 B2 * 11/2012 Hill et al. 292/95
 8,348,361 B2 * 1/2013 Joerger et al. 312/334.18
 D683,505 S * 5/2013 Chung et al. D32/29.1
 D697,681 S * 1/2014 Chung et al. D32/29.1
 8,677,538 B2 * 3/2014 Hendrickson et al. 8/158
 D703,891 S * 4/2014 Chung et al. D32/25
 D705,508 S * 5/2014 Calmeise D32/28
 D709,657 S * 7/2014 Shin et al. D32/25
 D711,605 S * 8/2014 Jo et al. D32/25
 2006/0162392 A1 * 7/2006 Kwon et al. 68/17 R

2007/0151301 A1 * 7/2007 Kendall et al. 68/3 R
 2007/0271967 A1 * 11/2007 Lee 68/17 R
 2009/0145176 A1 * 6/2009 Kim et al. 68/27
 2009/0211463 A1 * 8/2009 Marrone 99/646
 2011/0047814 A1 * 3/2011 Watson et al. 34/507
 2012/0159997 A1 * 6/2012 Del Pos et al. 68/13 R

OTHER PUBLICATIONS

LG Ultra Large Graphite Steel Top Load Washer, oldest review May 3, 2012, online, <http://www.abt.com/product/60308/LG-WT5170HV.html#tab2>, [site visited Mar. 21, 2015 5:23:56 PM].*
 Panasonic Australia washing machine article, website copyright 2011, online, <http://au.panasonic.com.au/...+and+views/News/2014/September/Panasonic+Australia+saves+time+and+energy+in+the+laundry+with+new+washing+machines>, [site visited Mar. 19, 2015 9:17:58 PM].*

* cited by examiner

FIG. 1

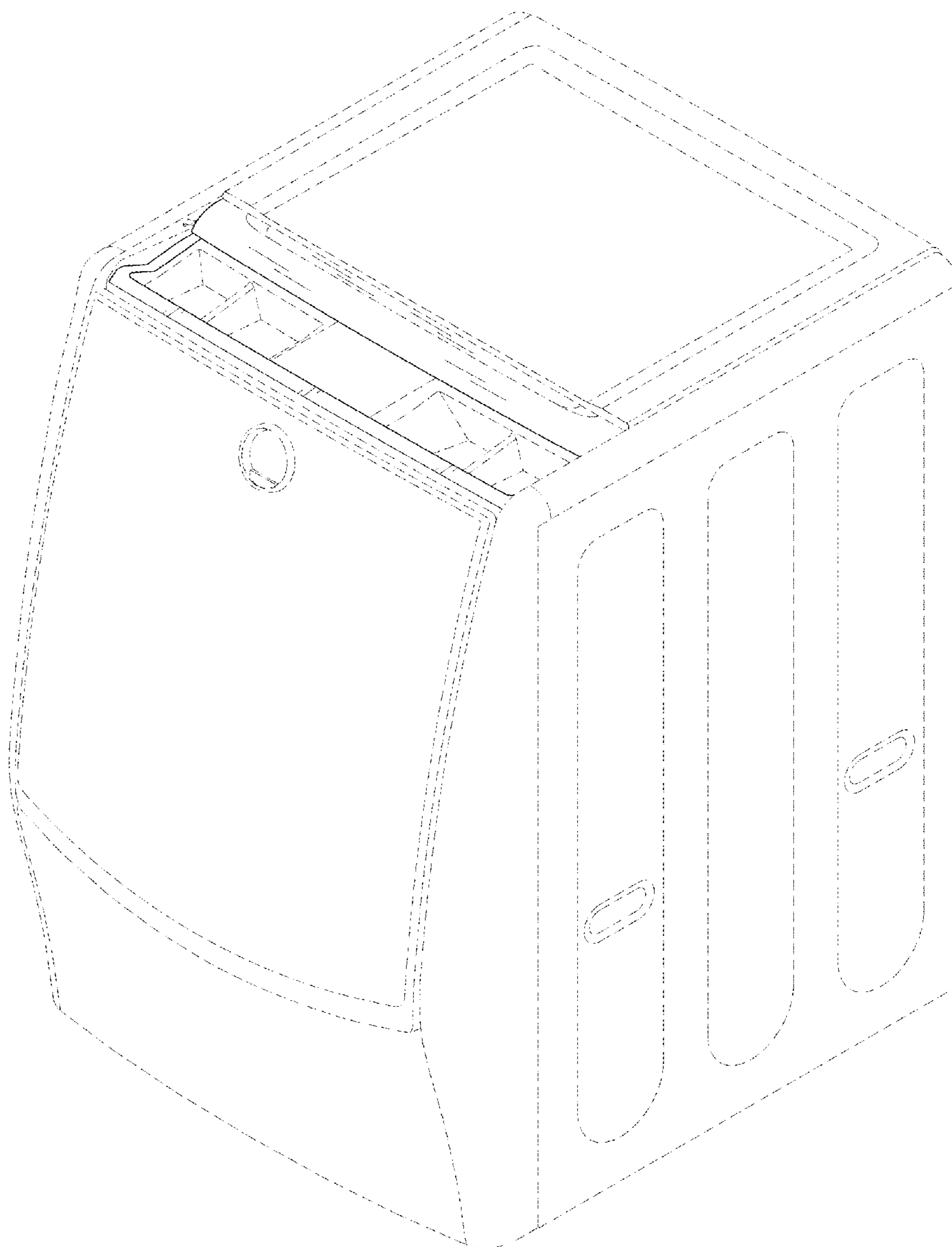


FIG. 2

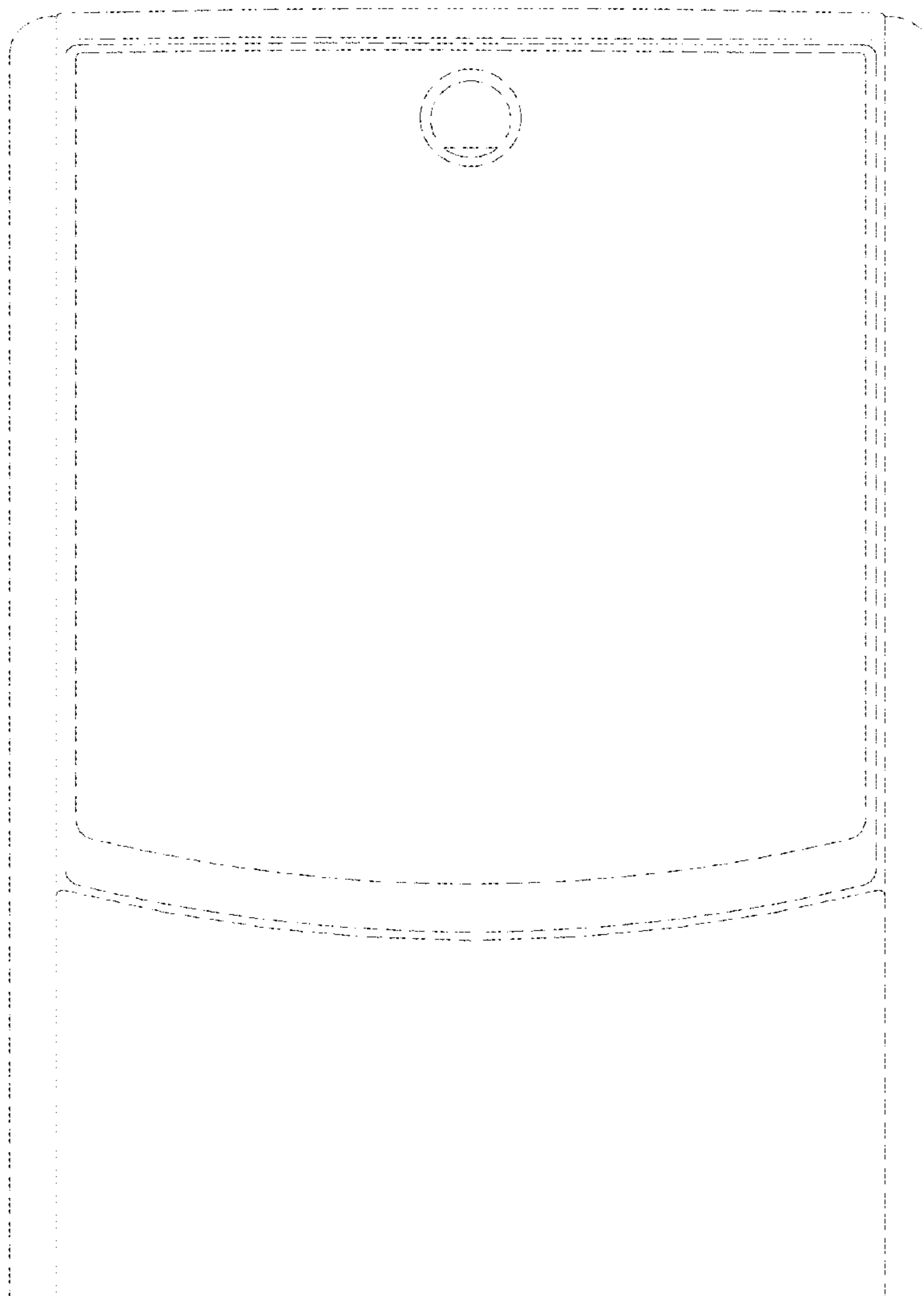


FIG. 3

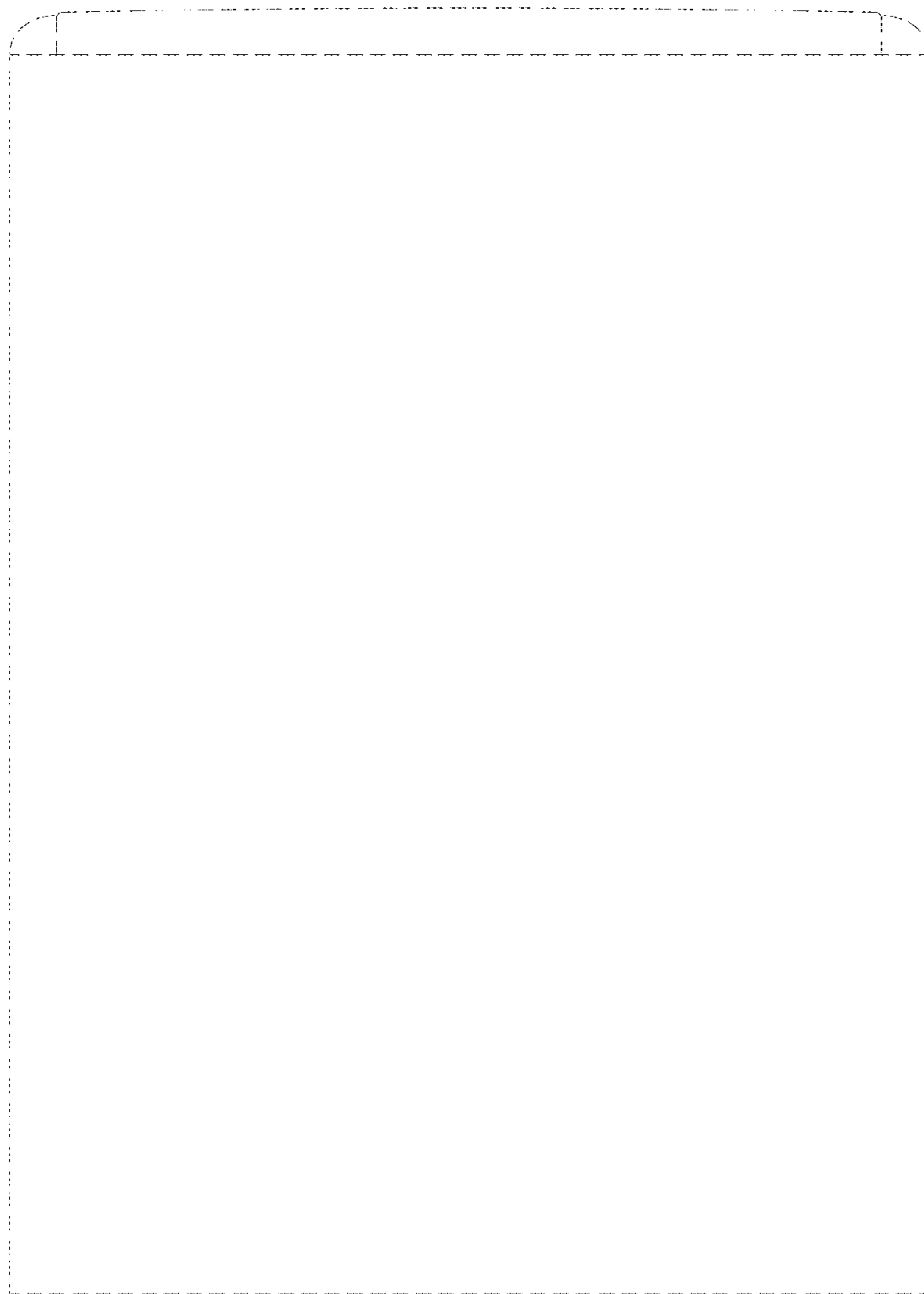


FIG. 4

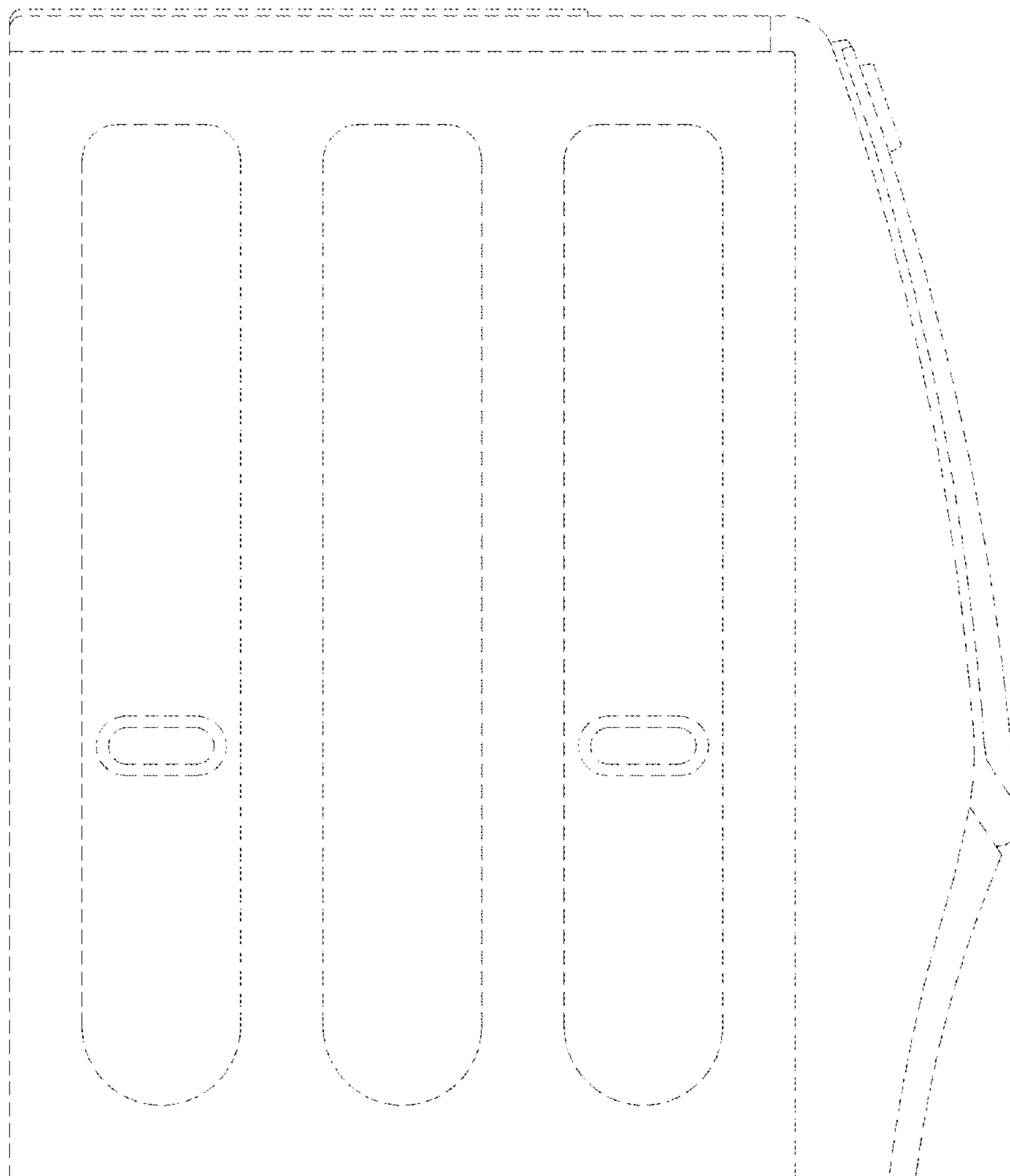


FIG. 5

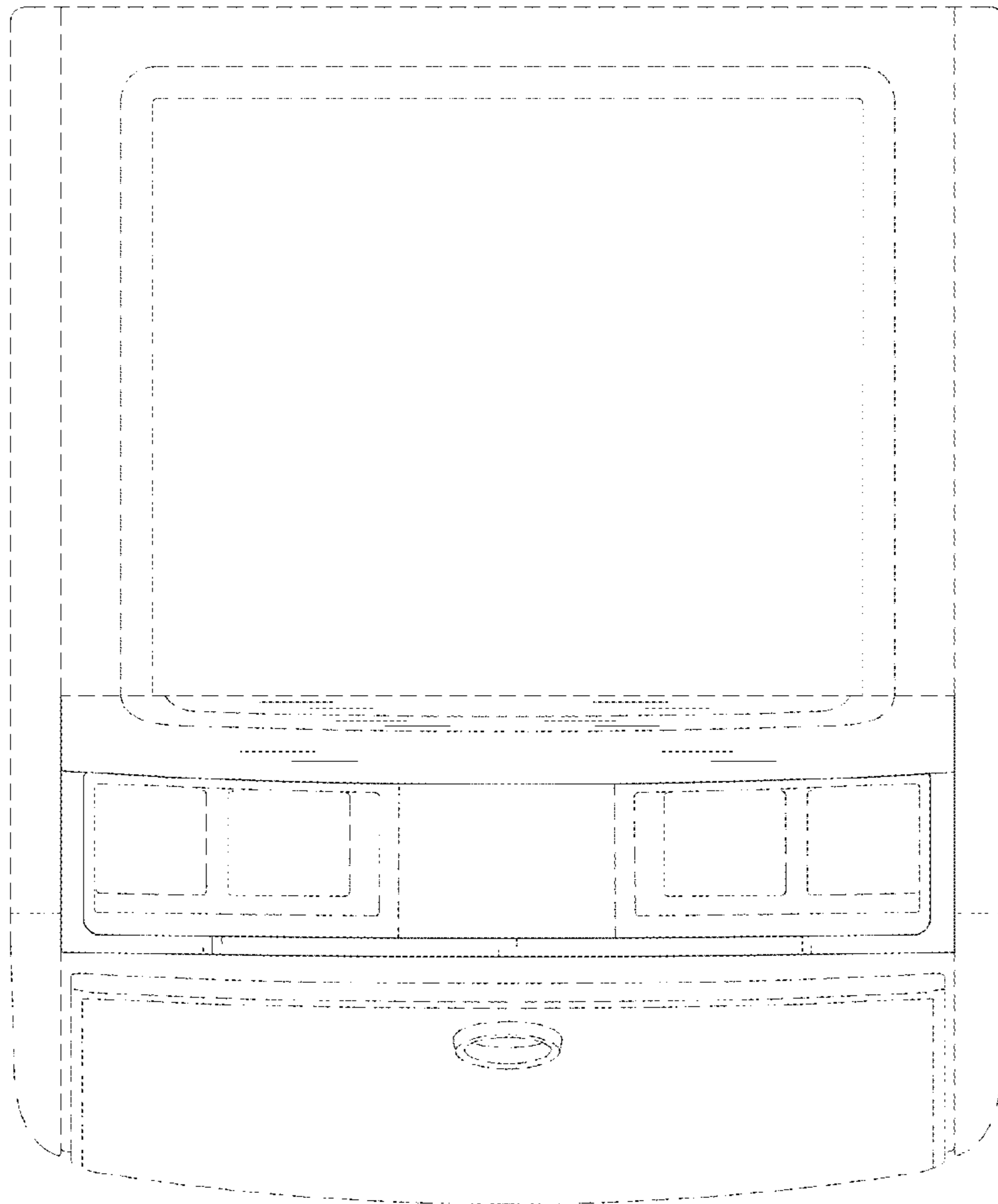


FIG. 6

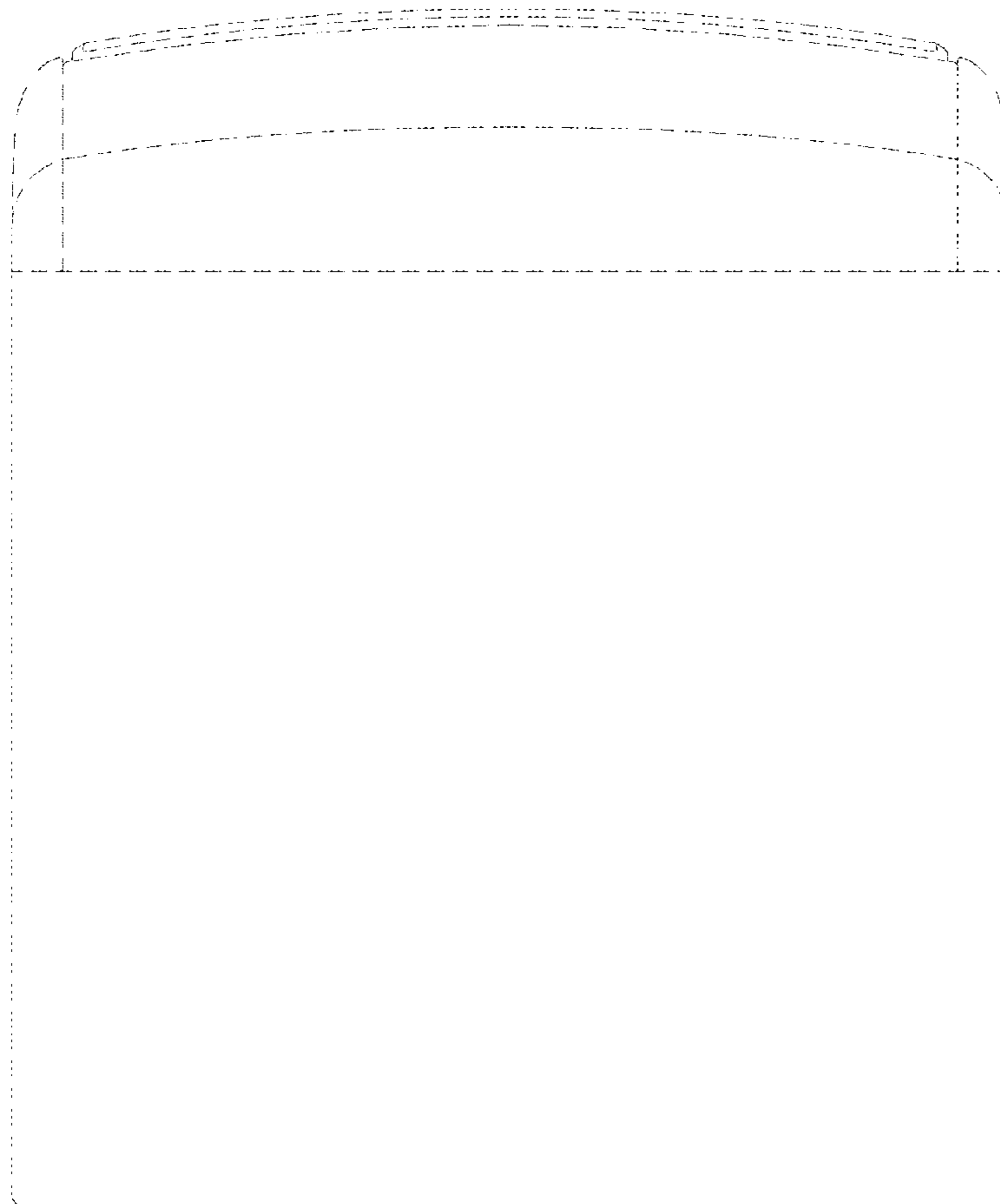


FIG. 7

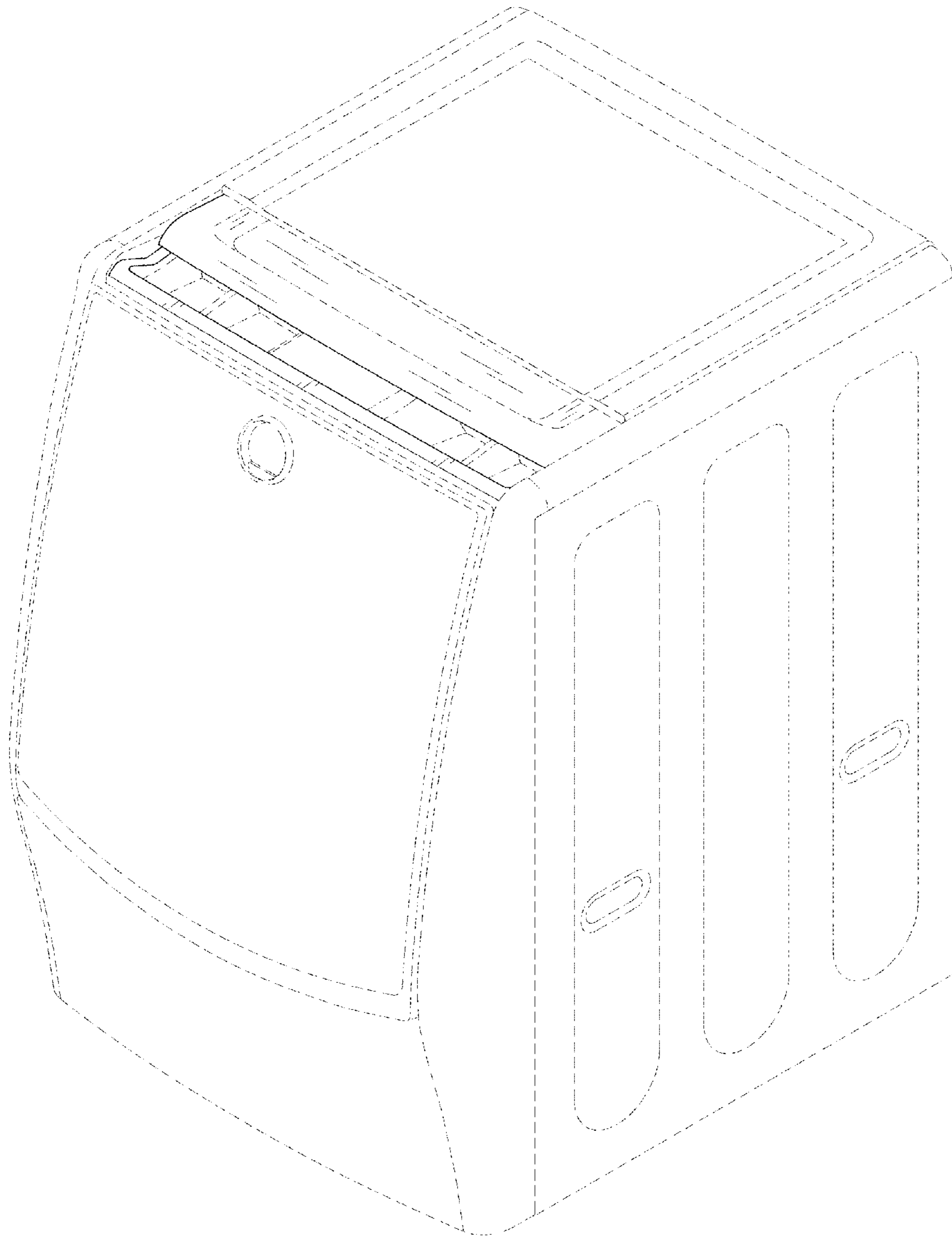


FIG. 8

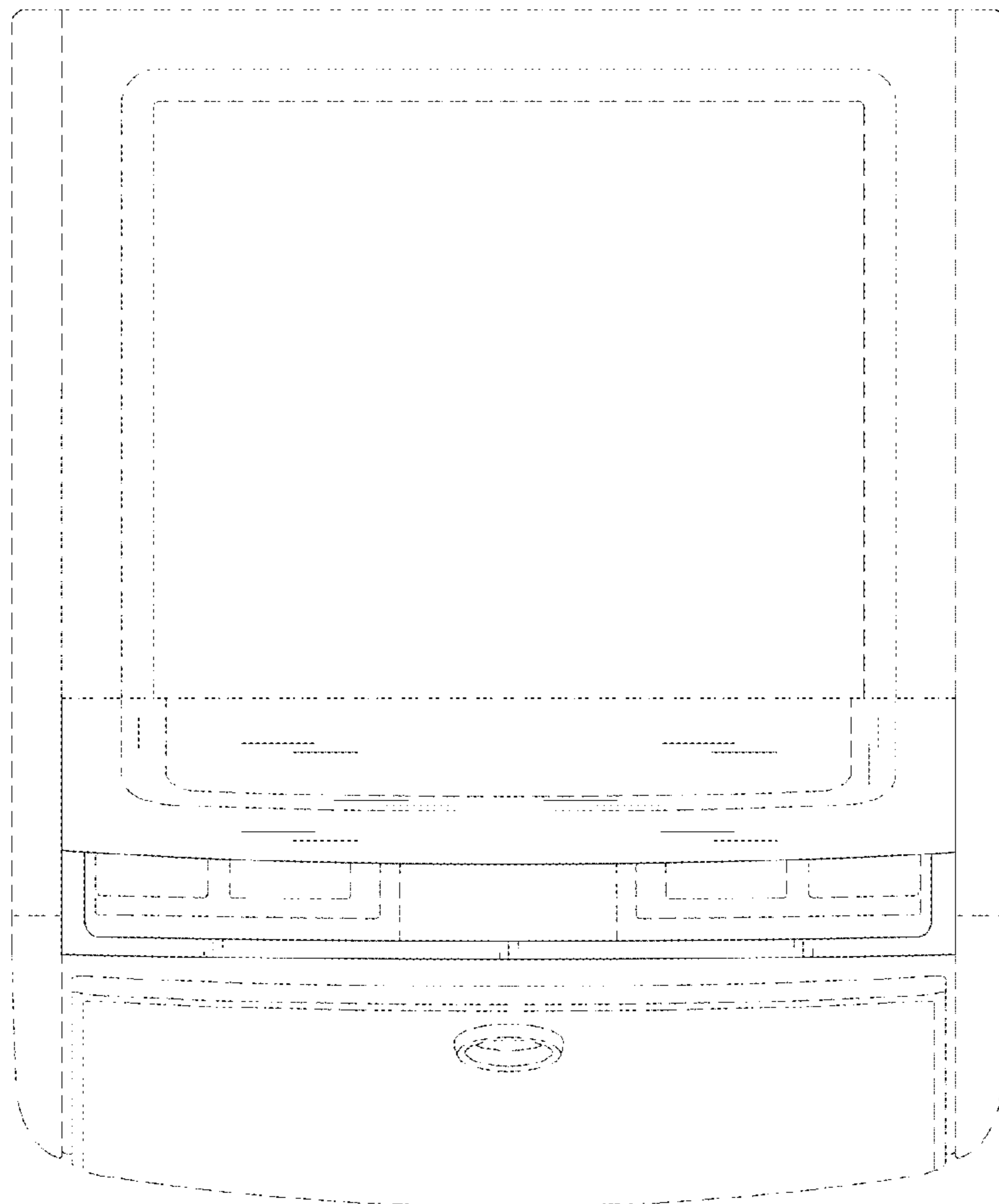


FIG. 9

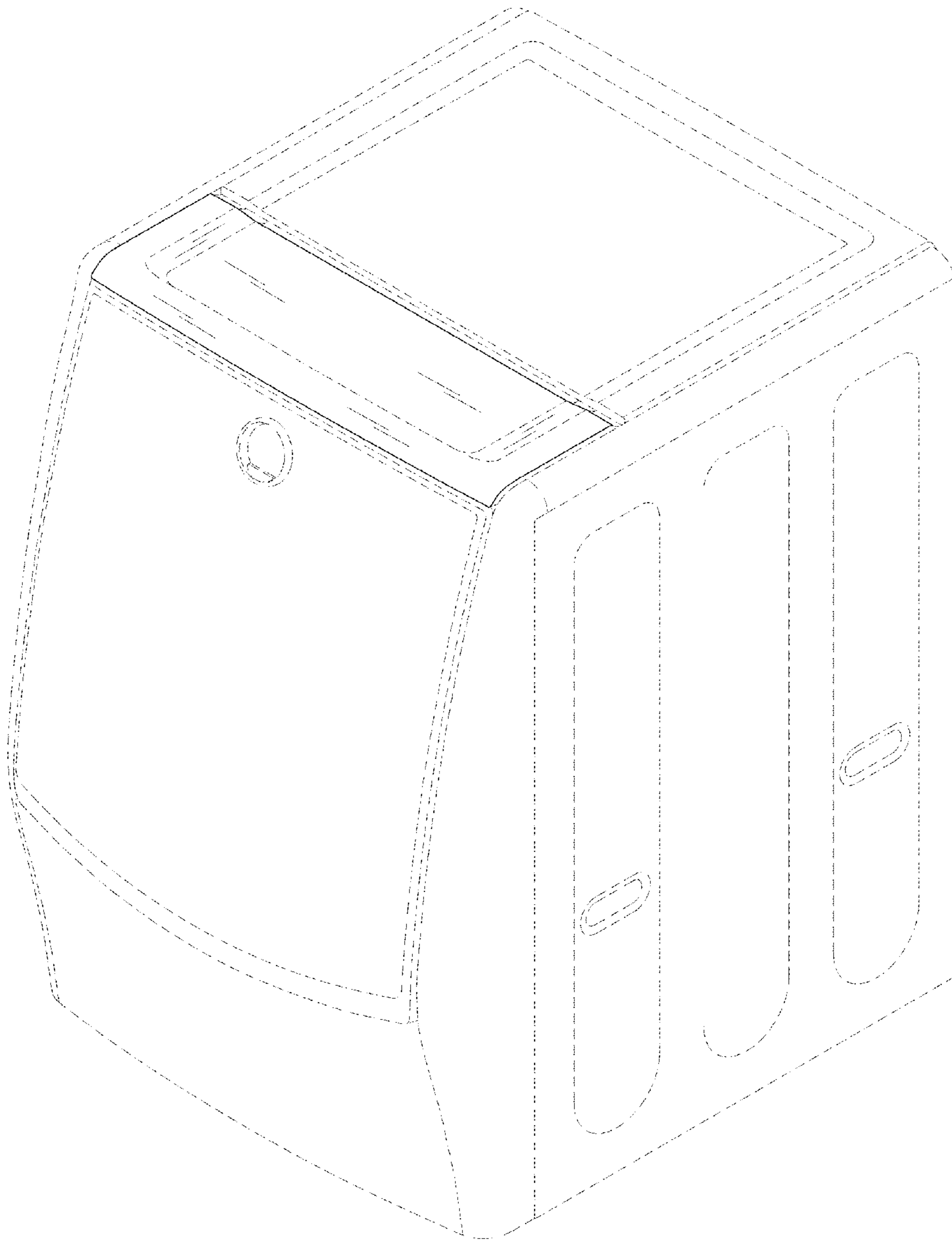


FIG. 10

