

US00D754402S

(12) **United States Design Patent**
Kalyanpur et al.

(10) **Patent No.:** **US D754,402 S**
(45) **Date of Patent:** **** Apr. 19, 2016**

- (54) **PAIR OF COMPARTMENTS OF A CONTAINER**
- (71) Applicant: **La Prairie, Inc.**, New York, NY (US)
- (72) Inventors: **Anil Kalyanpur**, Edison, NJ (US);
Richard Suhr, Seaside Heights, NJ (US)
- (73) Assignee: **La Prairie, Inc.**, New York, NY (US)
- (**) Term: **14 Years**
- (21) Appl. No.: **29/453,801**
- (22) Filed: **May 2, 2013**
- (51) **LOC (10) Cl.** **28-03**
- (52) **U.S. Cl.**
USPC **D28/84**
- (58) **Field of Classification Search**
USPC D28/64.1-64.7, 76-84; 206/581, 823;
132/286-318; D9/503-505, 421, 428,
D9/447; D3/901; 220/4.27
CPC A45D 33/006; A45D 33/003; A45D
33/04-33/16; A45D 33/025; A45D 33/02;
A45D 33/20; A45D 33/22; A45D 33/24;
A45D 33/26; A45D 33/28; A45D 33/18;
A45D 40/22; A45D 40/222; A45D 40/24;
A45D 42/02
See application file for complete search history.

(56) **References Cited**
U.S. PATENT DOCUMENTS

1,381,036	A	6/1921	Vericel	
1,455,432	A	5/1923	Dodson	
1,460,906	A	7/1923	Hyde	
1,497,905	A *	6/1924	Hathaway	132/295
1,518,594	A	12/1924	Marble	
1,525,665	A *	2/1925	Slover et al.	132/287
1,570,382	A	1/1926	Lyhne	
1,583,120	A	5/1926	Brenner	
1,636,183	A	7/1927	Goertz	
1,647,004	A	10/1927	Hyde	

2,196,017	A	4/1940	Kane	
2,438,841	A	3/1948	Casalino	
2,571,485	A	10/1951	Reiskin	
2,712,318	A	7/1955	Root	
3,256,892	A	6/1966	Esposito, Jr.	
4,696,317	A	9/1987	Shioi et al.	
5,025,817	A	6/1991	Wen	
5,107,871	A	4/1992	Butcher et al.	
6,283,129	B1	9/2001	Yuhara et al.	
6,526,989	B2	3/2003	Sheffler et al.	
D479,366	S	9/2003	Goswell	
D523,177	S	6/2006	Ashiwa et al.	
RE39,311	E *	10/2006	Davis et al.	132/295
D581,597	S *	11/2008	Martinez	D28/82
D583,100	S	12/2008	Jackel	
7,481,229	B2 *	1/2009	Habatjou	132/300
D631,608	S *	1/2011	Pires et al.	D28/82

(Continued)

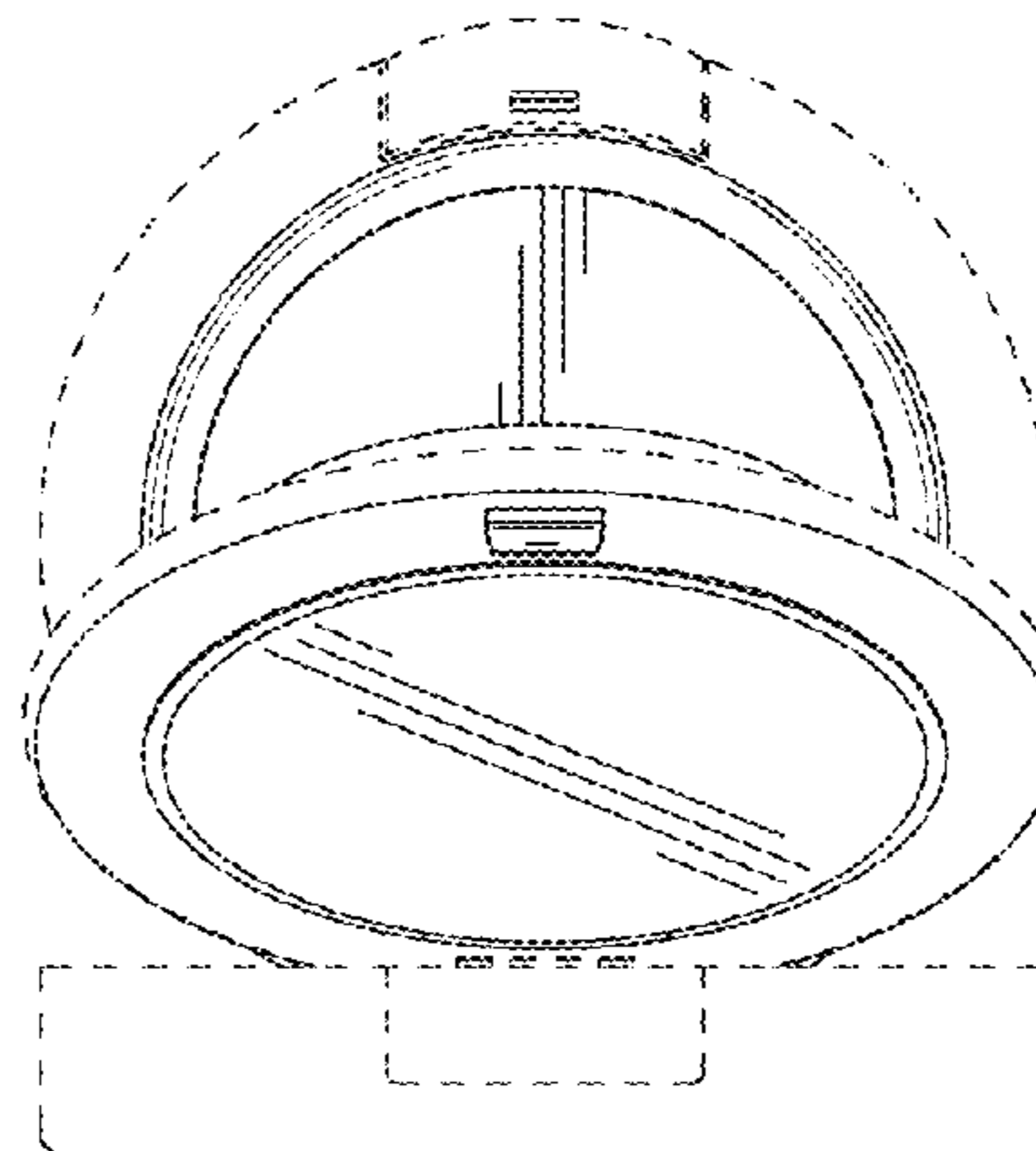
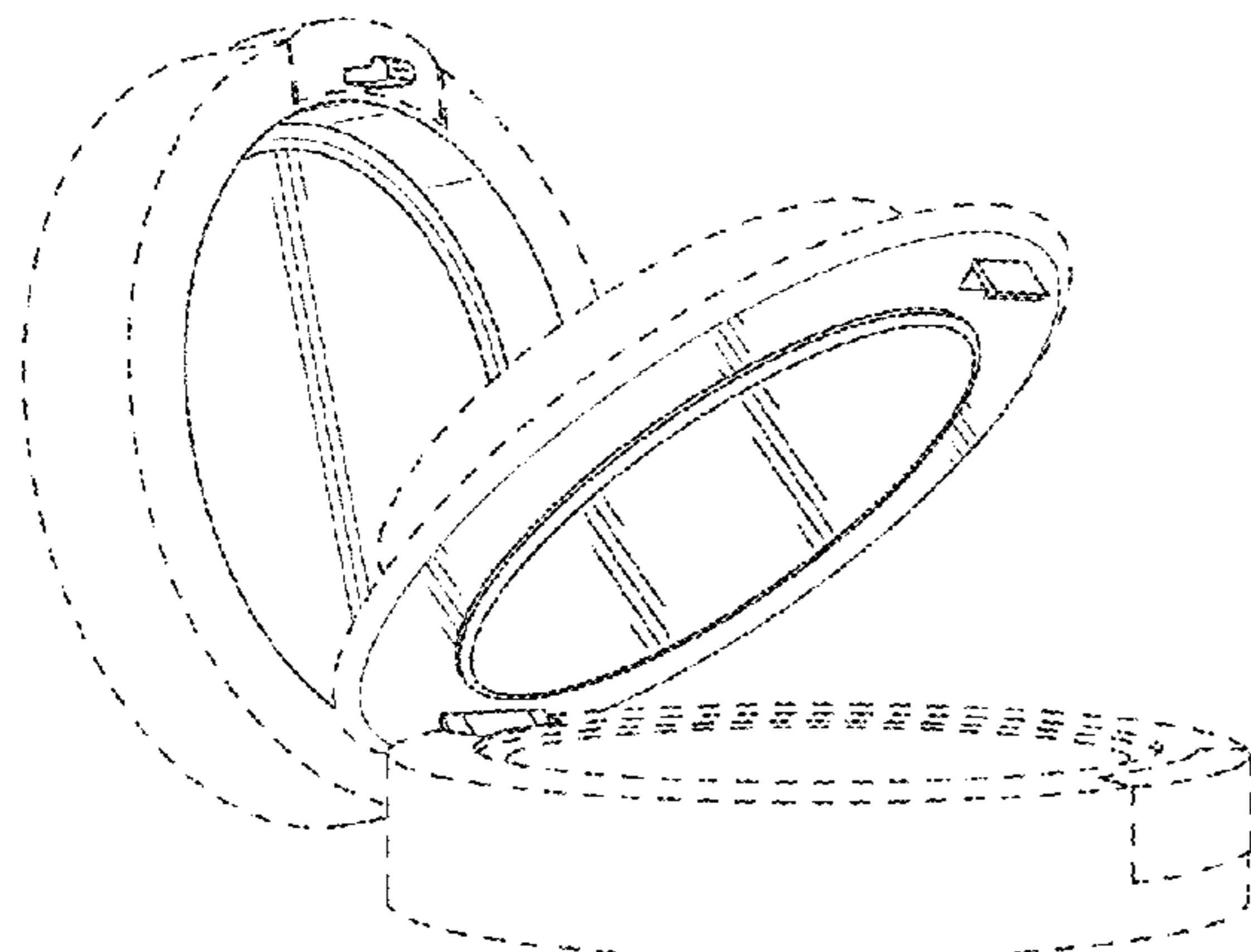
Primary Examiner — Jennifer Rivard
(74) *Attorney, Agent, or Firm* — Dentons US LLP

(57) **CLAIM**
The ornamental design for the pair of compartments of a container, as shown and described.

DESCRIPTION

FIG. 1 is a perspective view of a pair of compartments of a container showing the interior of the top compartment; FIG. 2 is a perspective view of the pair of compartments of a container showing the interiors of the compartments; FIG. 3 is a perspective view of the pair of compartments of a container showing the interior of the bottom compartment; FIG. 4 is a front view of the pair of compartments of a container showing the interior of the top compartment; FIG. 5 is a front view of the pair of compartments of a container showing the interiors of the top compartment and the bottom compartment; and, FIG. 6 is a front view of the pair of compartments of a container showing the interior of the bottom compartment. The broken lines illustrate the environment and form no part of the claimed design.

1 Claim, 3 Drawing Sheets



(56)

References Cited

U.S. PATENT DOCUMENTS

8,109,280 B2 2/2012 Winckels et al.
2002/0096448 A1* 7/2002 Lee 206/459.1
2006/0005853 A1 1/2006 Shen
2006/0226164 A1 10/2006 Graham

2009/0308408 A1* 12/2009 Winckels et al. 132/295
2011/0048443 A1* 3/2011 Pires et al. 132/200
2012/0241468 A1 9/2012 Deans
2012/0305442 A1* 12/2012 Apodaca et al. 206/581
2013/0014778 A1* 1/2013 Zhang 132/316
2014/0014131 A1* 1/2014 Zhang 132/316
2014/0026921 A1* 1/2014 Zhang 132/315

* cited by examiner

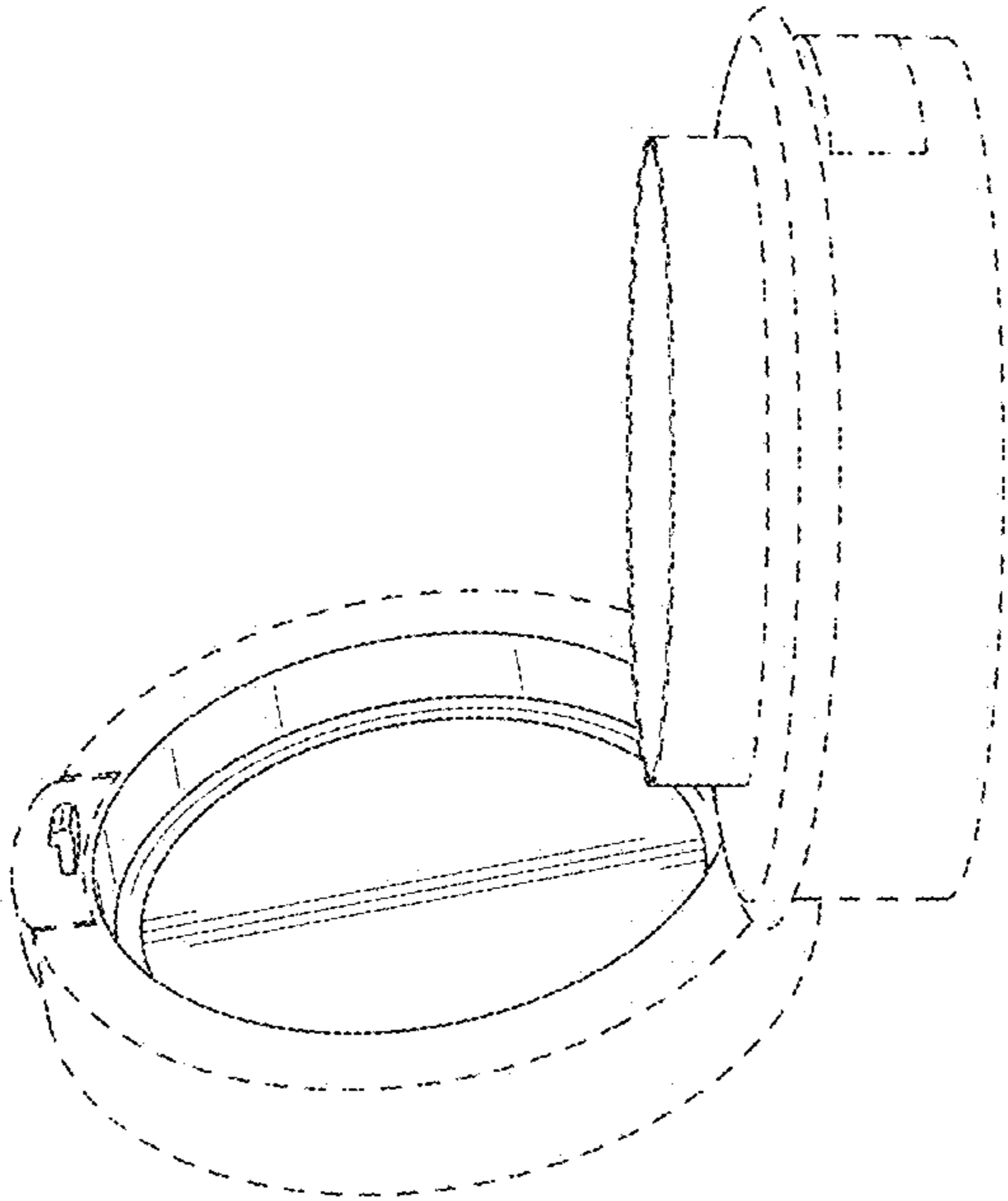


FIG. 1

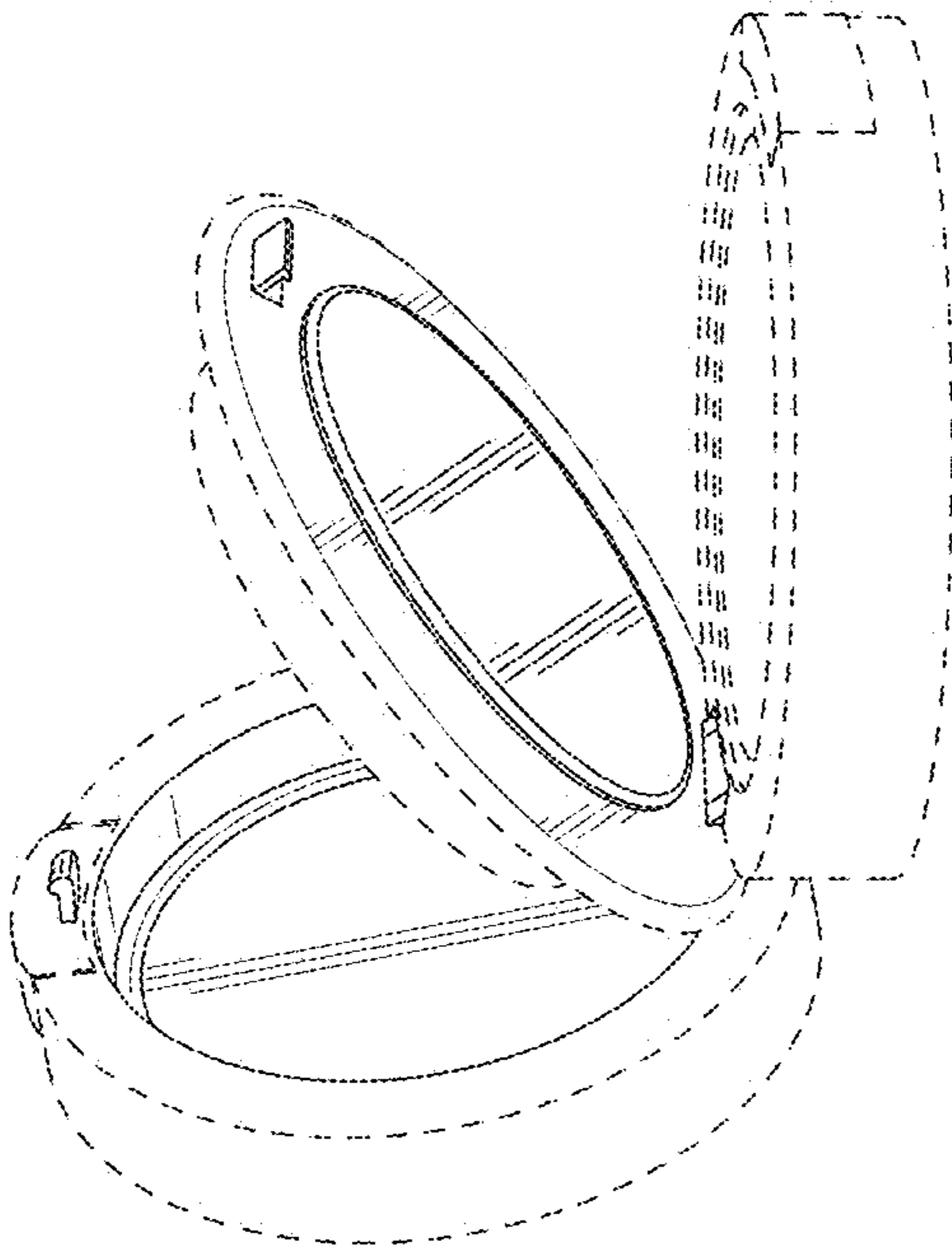


FIG. 2

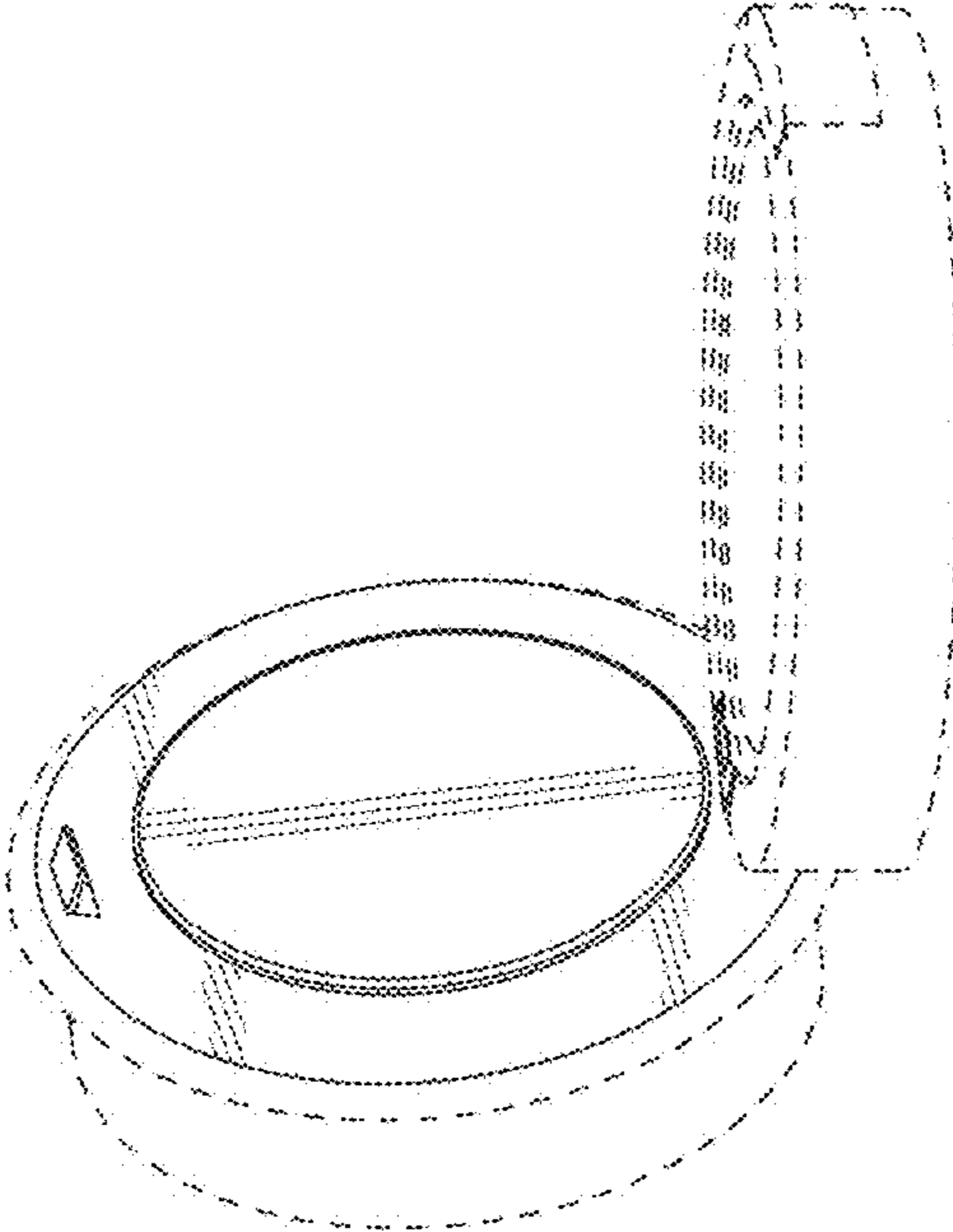


FIG. 3

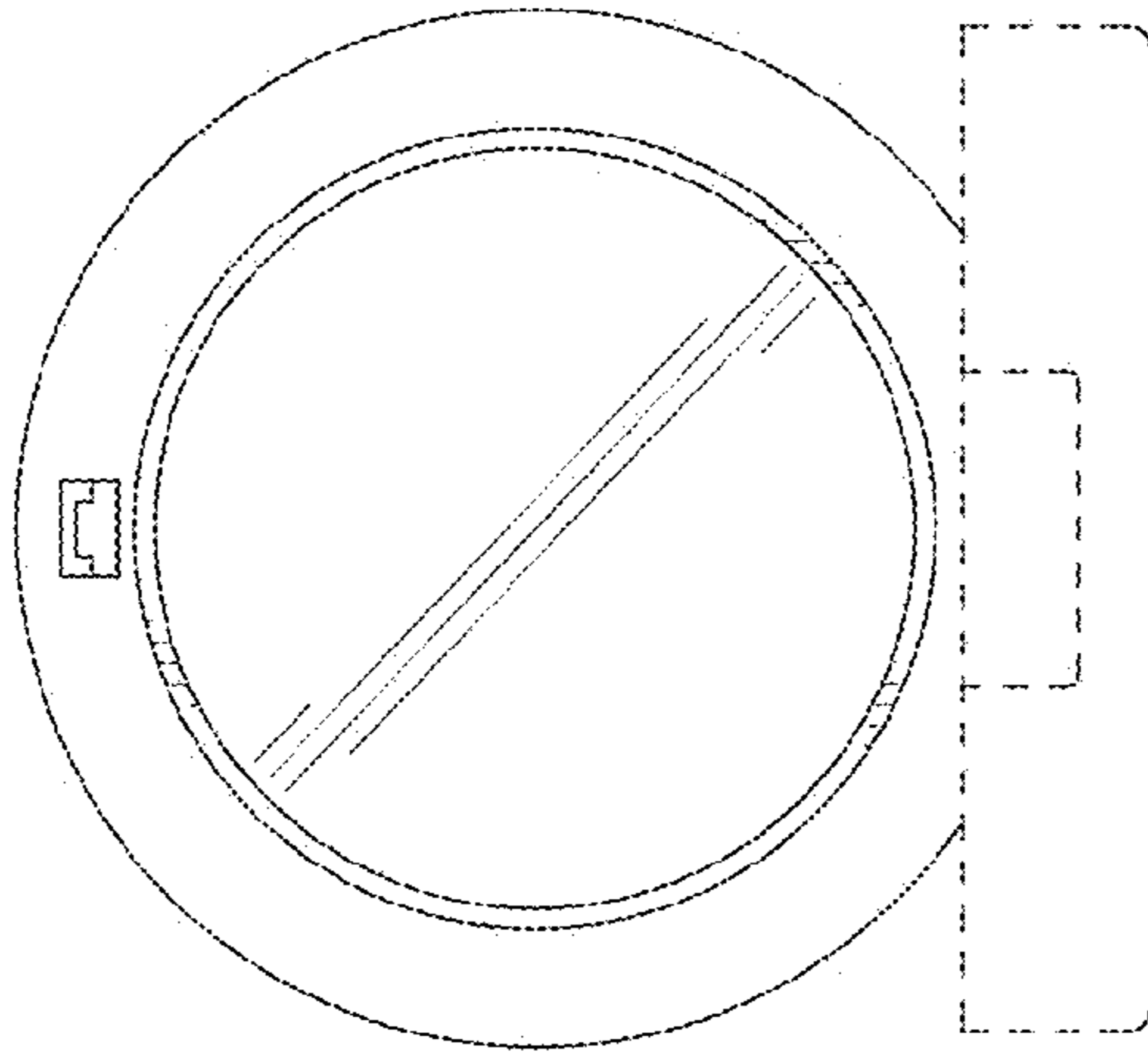


FIG. 4

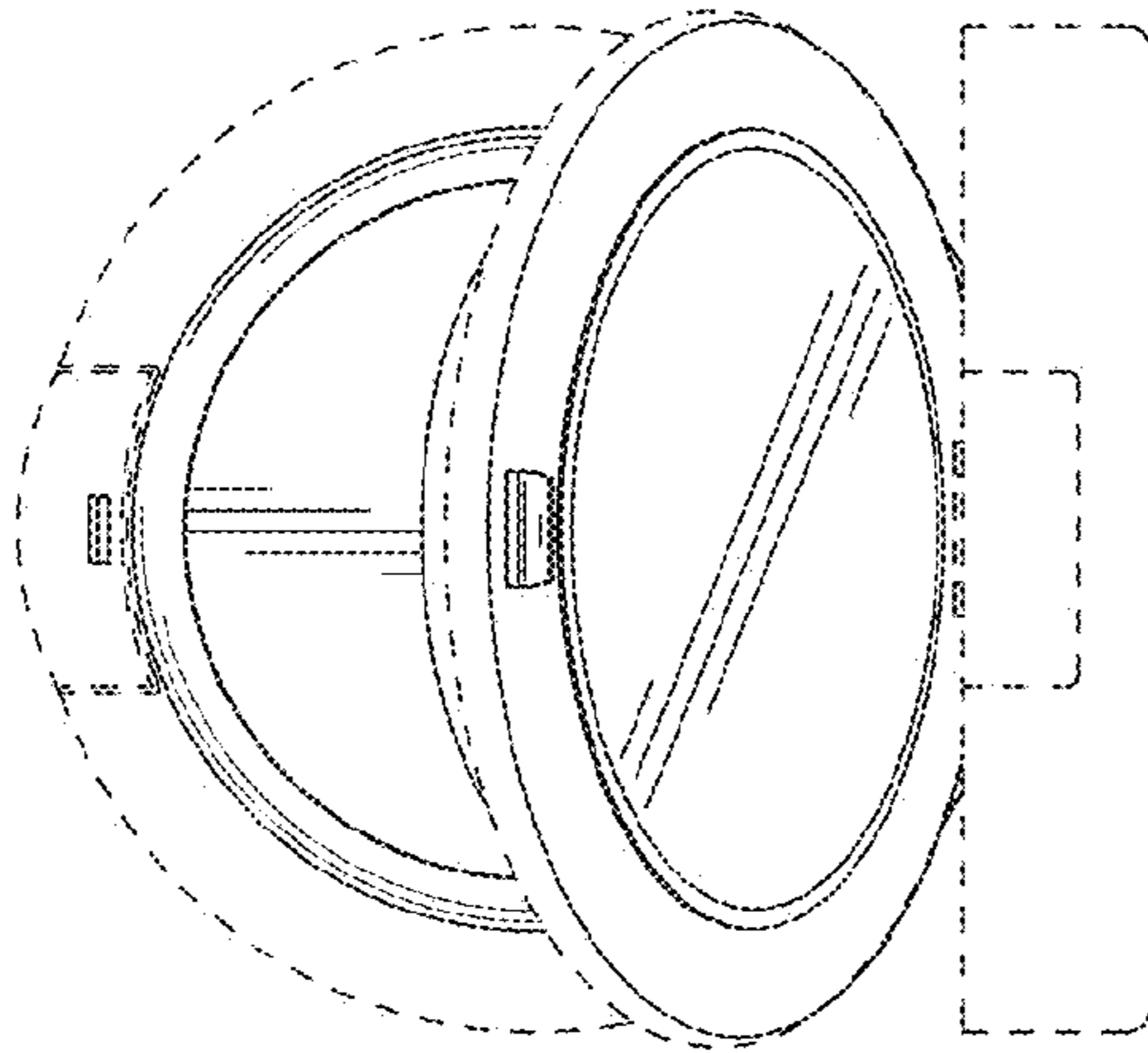


FIG. 5

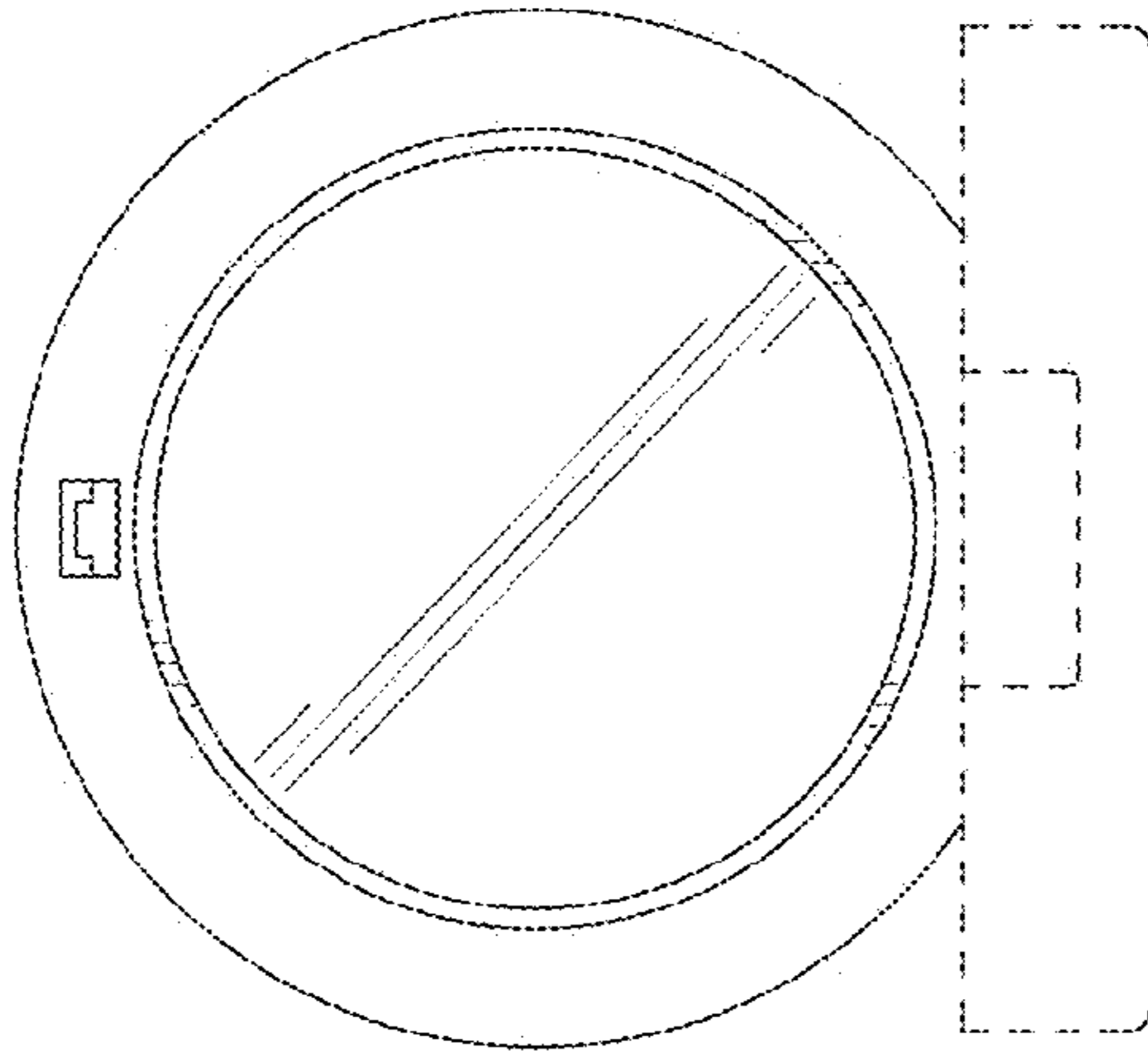


FIG. 6