



US00D754399S

(12) **United States Design Patent**  
**Andersson**

(10) **Patent No.:** **US D754,399 S**  
(45) **Date of Patent:** **\*\* Apr. 19, 2016**

(54) **COMB FOR GROOMING APPARATUS**  
(71) Applicant: **KONINKLIJKE PHILIPS N.V.**,  
Eindhoven (NL)  
(72) Inventor: **Jens Peter Kophmann Andersson**,  
Amsterdam (NL)  
(73) Assignee: **KONINKLIJKE PHILIPS N.V.**,  
Eindhoven (NL)  
(\*\*) Term: **14 Years**  
(21) Appl. No.: **29/513,577**  
(22) Filed: **Jan. 2, 2015**

D463,623 S *	9/2002	Kling	.....	D28/54
D524,487 S *	7/2006	Seki	.....	D28/54
D530,858 S *	10/2006	Kling	.....	D28/54
D558,400 S *	12/2007	Micinilio	.....	D28/54
D559,456 S *	1/2008	Melton	.....	D28/54
D565,793 S *	4/2008	Wallace	.....	D28/54
D574,557 S *	8/2008	Kling	.....	D28/54
D591,455 S *	4/2009	Micinilio	.....	D28/54
D591,907 S *	5/2009	Micinilio	.....	D28/54
D616,606 S *	5/2010	Adams	.....	D28/47
D617,497 S *	6/2010	Goodhead	.....	D28/47
D619,301 S *	7/2010	Wattam	.....	D28/47
D619,304 S *	7/2010	Shen	.....	D28/54
D620,196 S *	7/2010	Nicoll	.....	D28/47
D722,201 S *	2/2015	Boulangier	.....	D28/54
2008/0289192 A1 *	11/2008	Martelli	.....	B26B 19/20 30/233.5
2014/0215832 A1 *	8/2014	Julemont	.....	B26B 19/20 30/200

(30) **Foreign Application Priority Data**

Jul. 4, 2014 (EM) ..... 002496497-0001

(51) **LOC (10) Cl.** ..... **28-03**  
(52) **U.S. Cl.**  
USPC ..... **D28/54**  
(58) **Field of Classification Search**  
USPC ..... D28/54, 53, 52, 49, 51  
CPC .. B26B 19/20; B26B 19/205; B26B 19/3813;  
B26B 19/38; B26B 19/3806  
See application file for complete search history.

(56) **References Cited**

**U.S. PATENT DOCUMENTS**

D286,454 S *	10/1986	Stephens	.....	D28/54
5,054,199 A *	10/1991	Ogawa	.....	B26B 19/06 30/200
5,479,950 A *	1/1996	Andrews	.....	A45D 24/36 132/215

\* cited by examiner

*Primary Examiner* — Jennifer Rivard

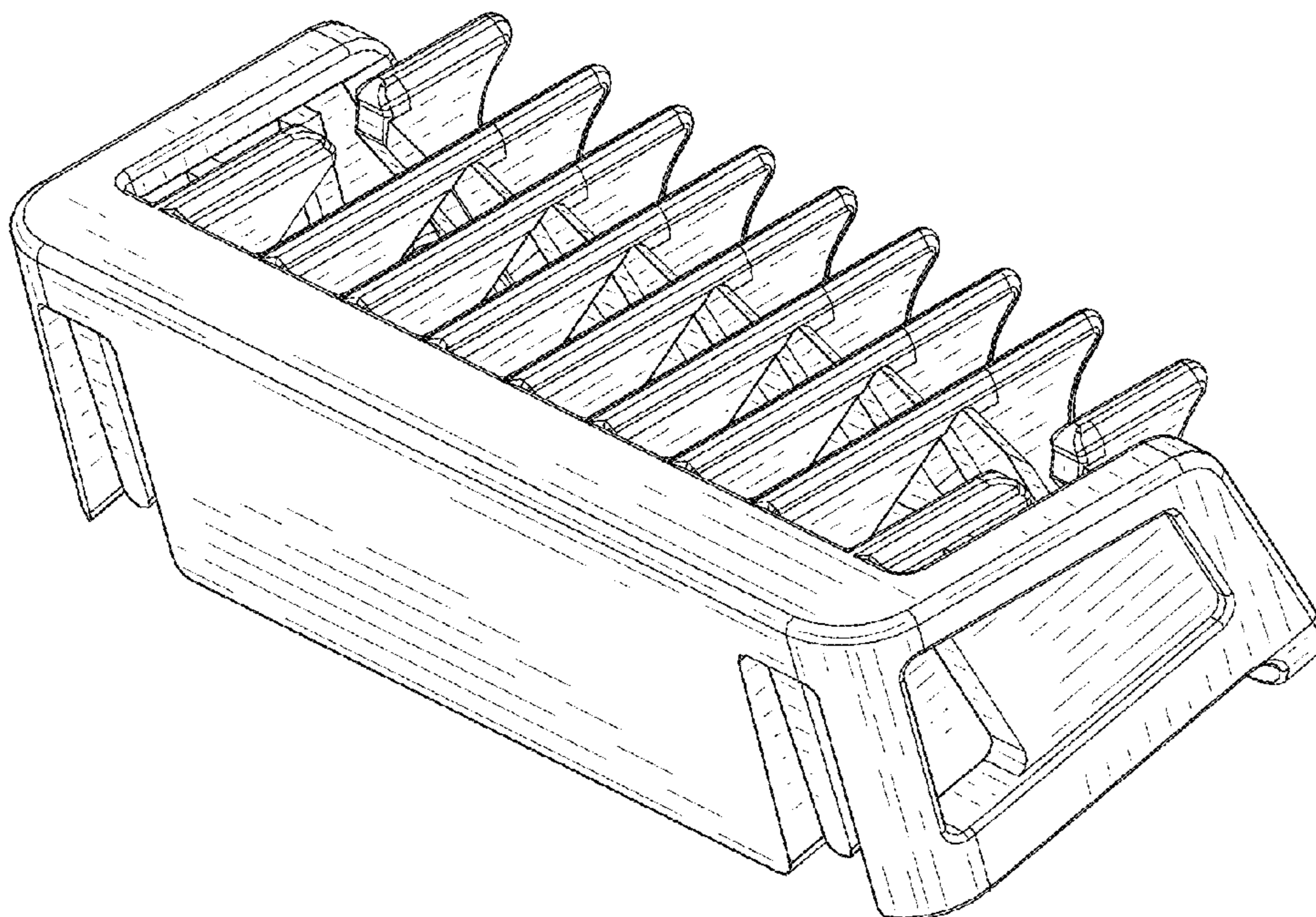
(57) **CLAIM**

The ornamental design for a comb for grooming apparatus, as shown.

**DESCRIPTION**

FIG. 1 is a perspective view showing my design;  
FIG. 2 is a front elevational view thereof;  
FIG. 3 is a rear elevational view thereof;  
FIG. 4 is a right side elevational view thereof;  
FIG. 5 is a left side elevational view thereof;  
FIG. 6 is a top plan view thereof; and,  
FIG. 7 is a bottom plan view thereof.

**1 Claim, 4 Drawing Sheets**



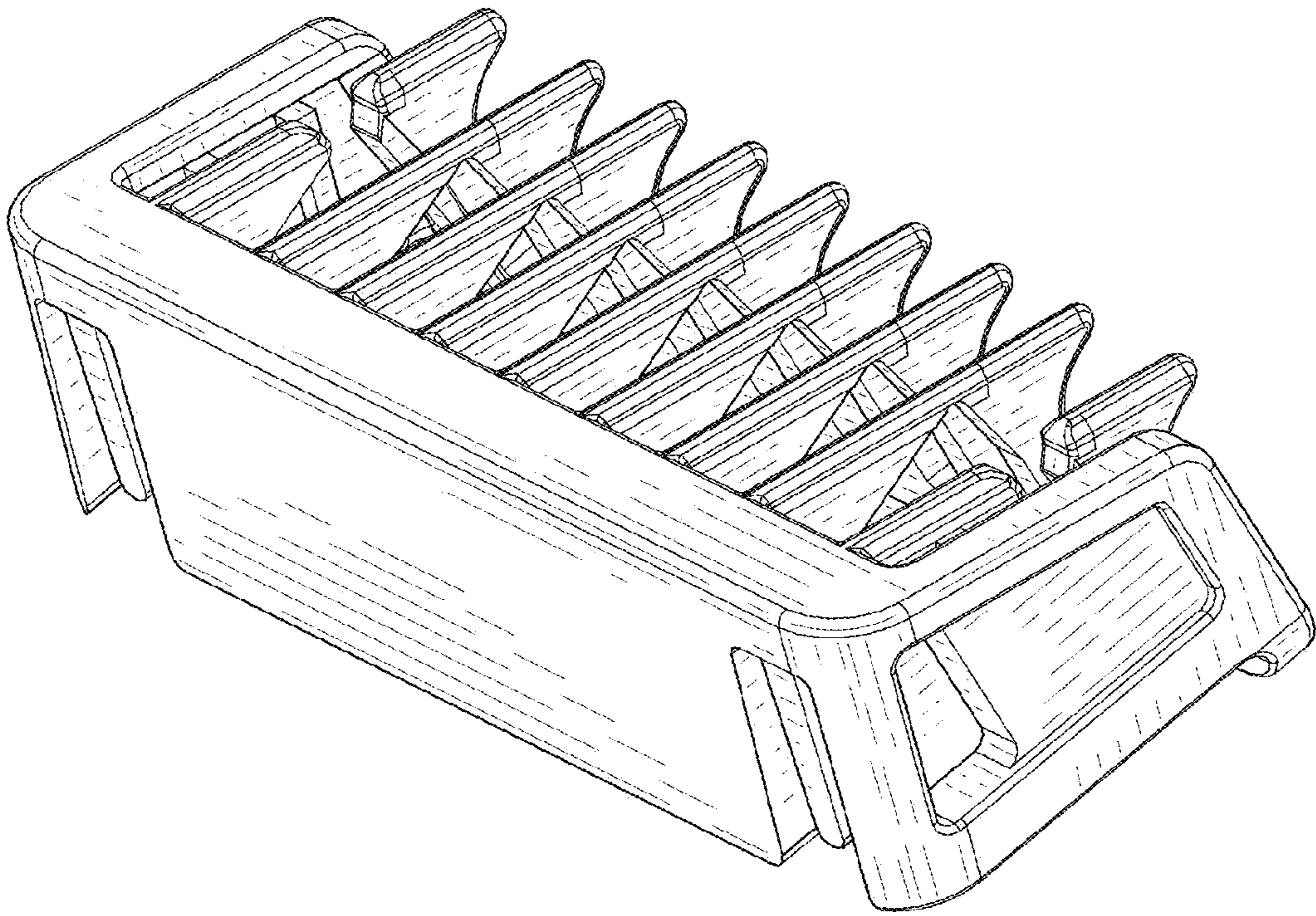


FIG. 1

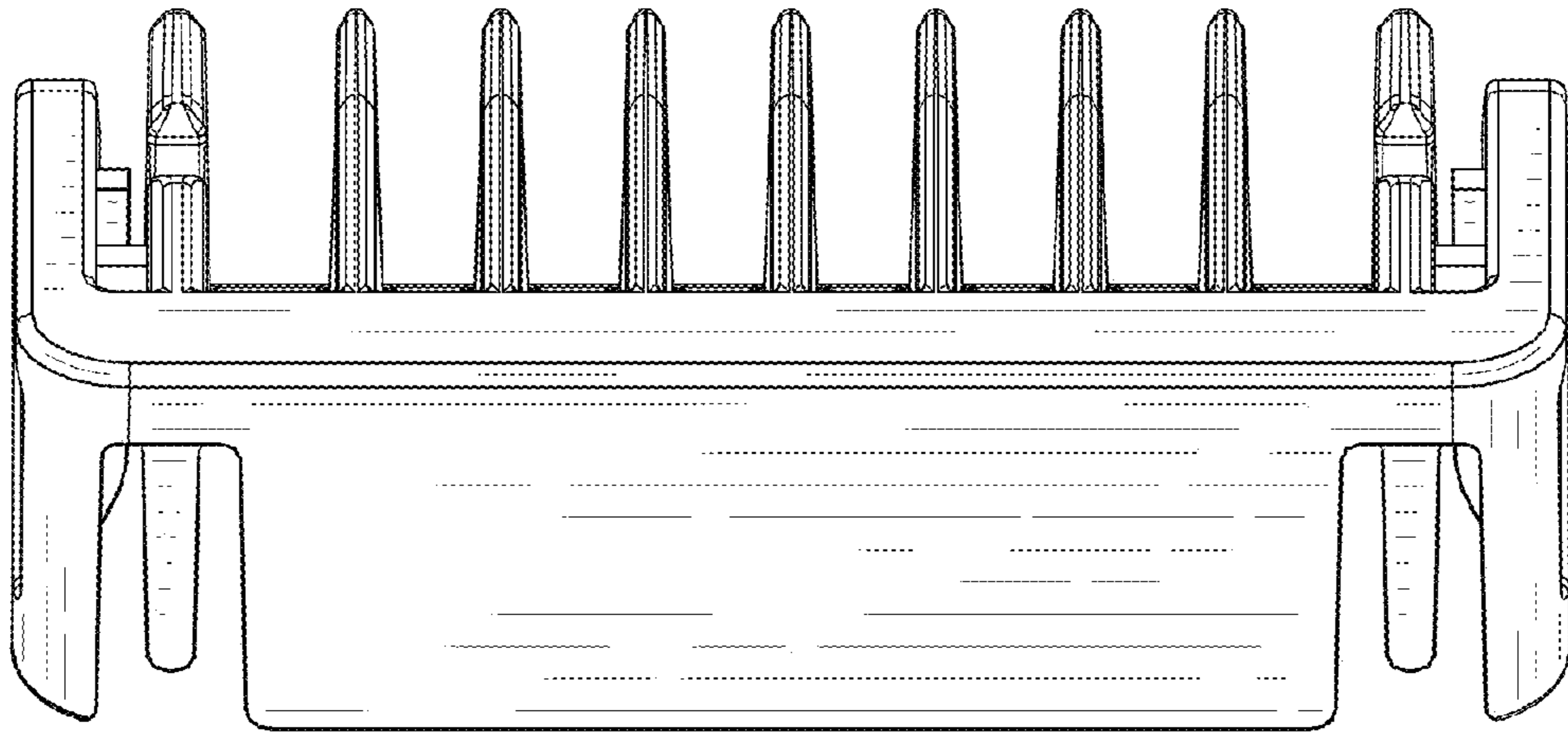


FIG. 2

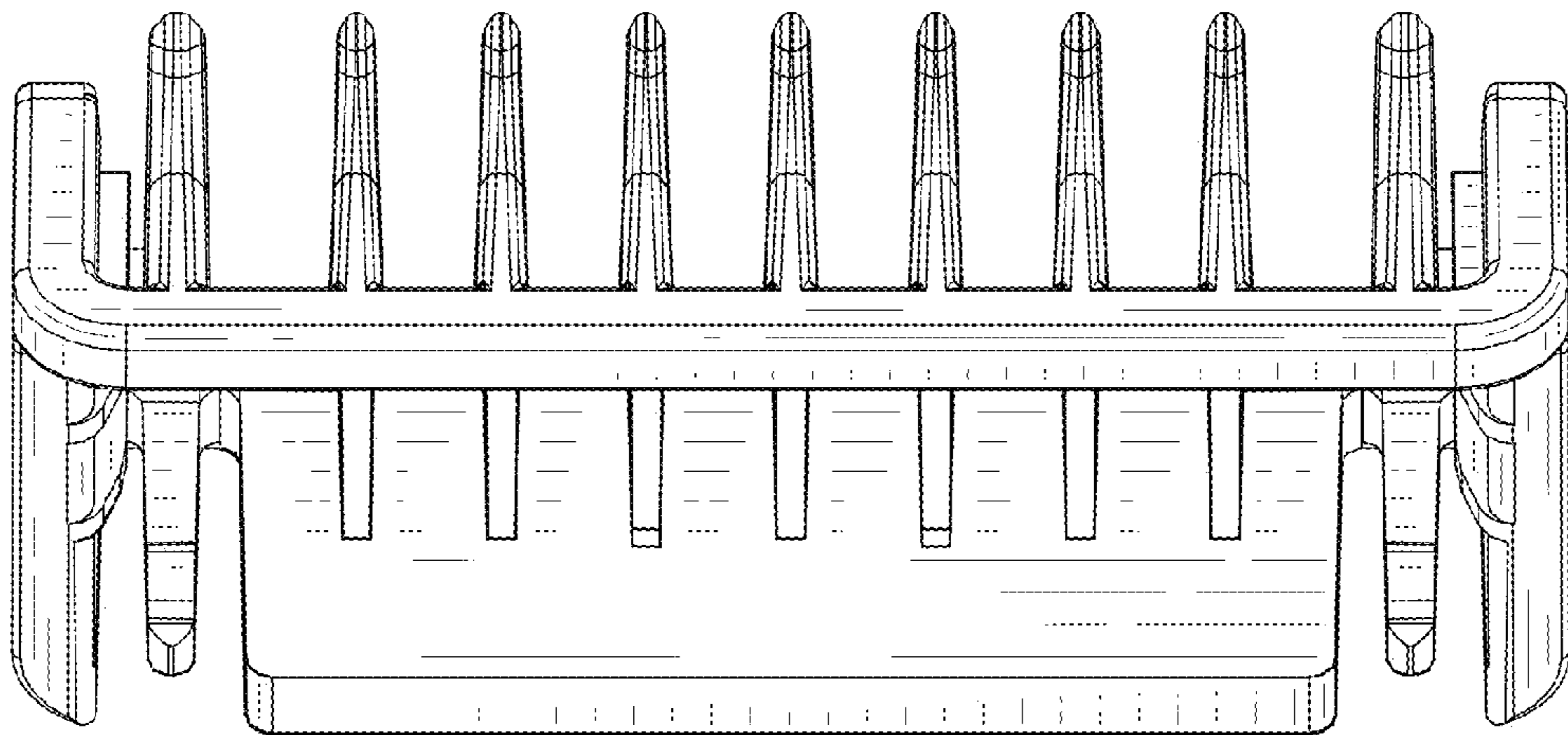


FIG. 3

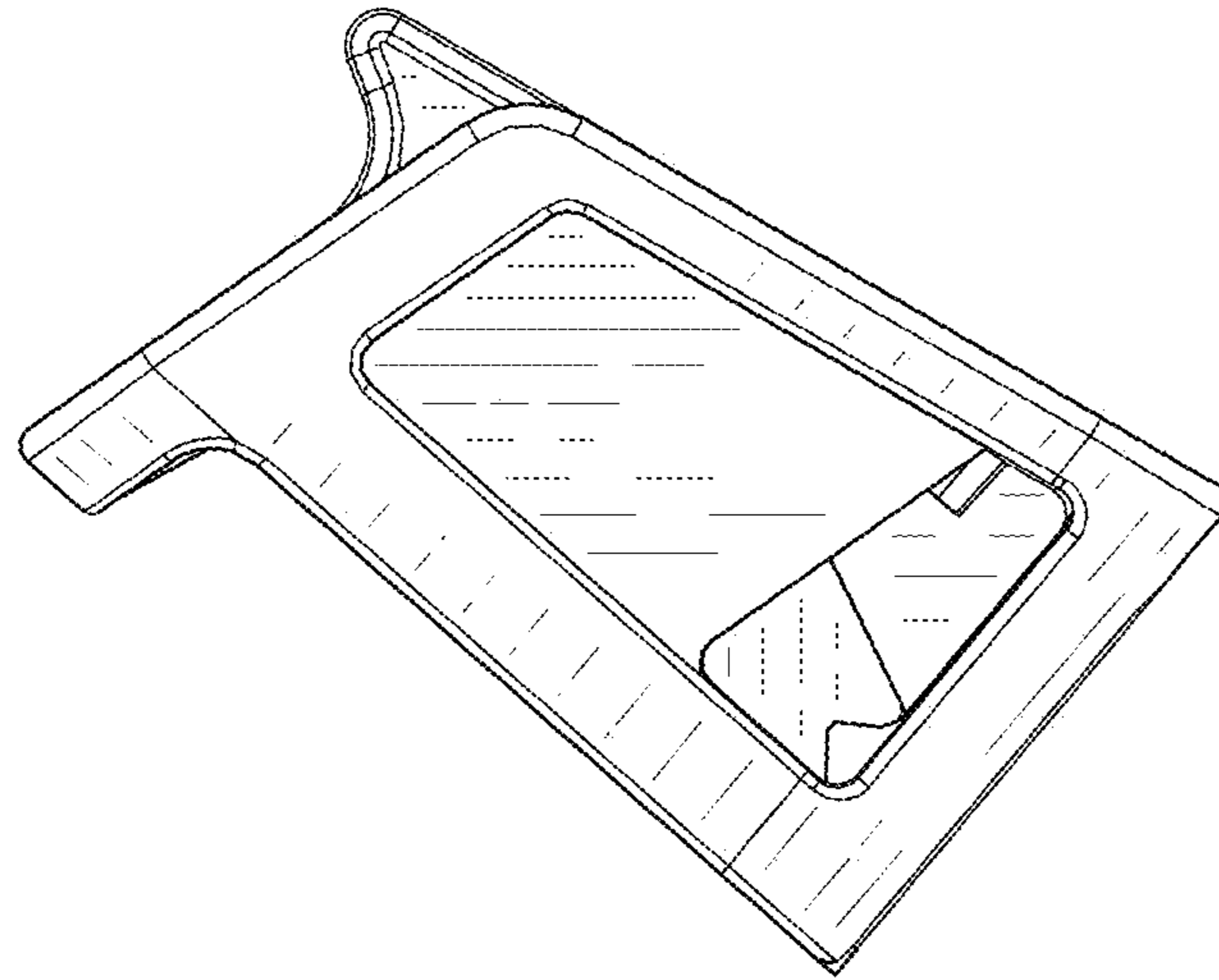


FIG. 4

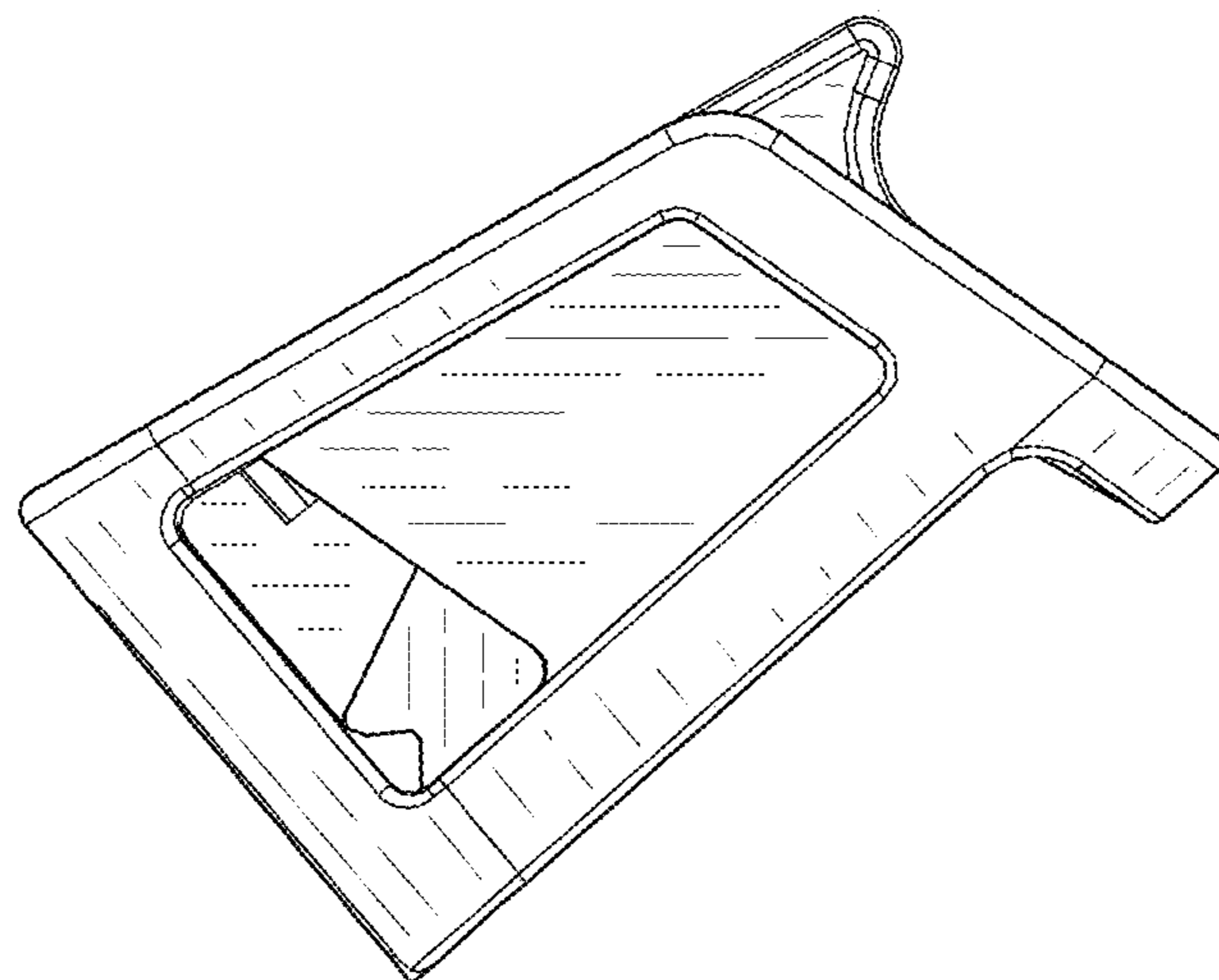


FIG. 5

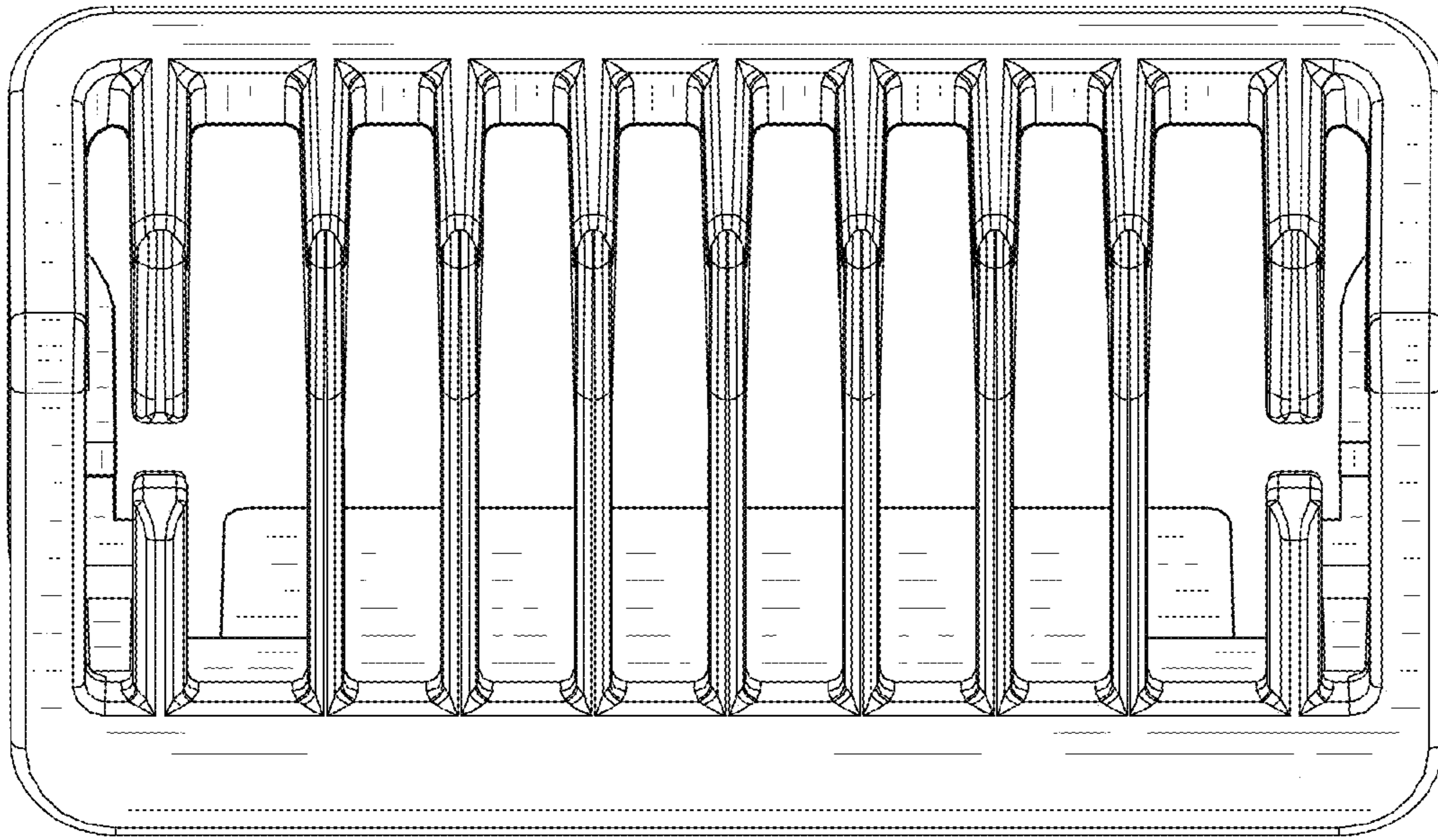


FIG. 6

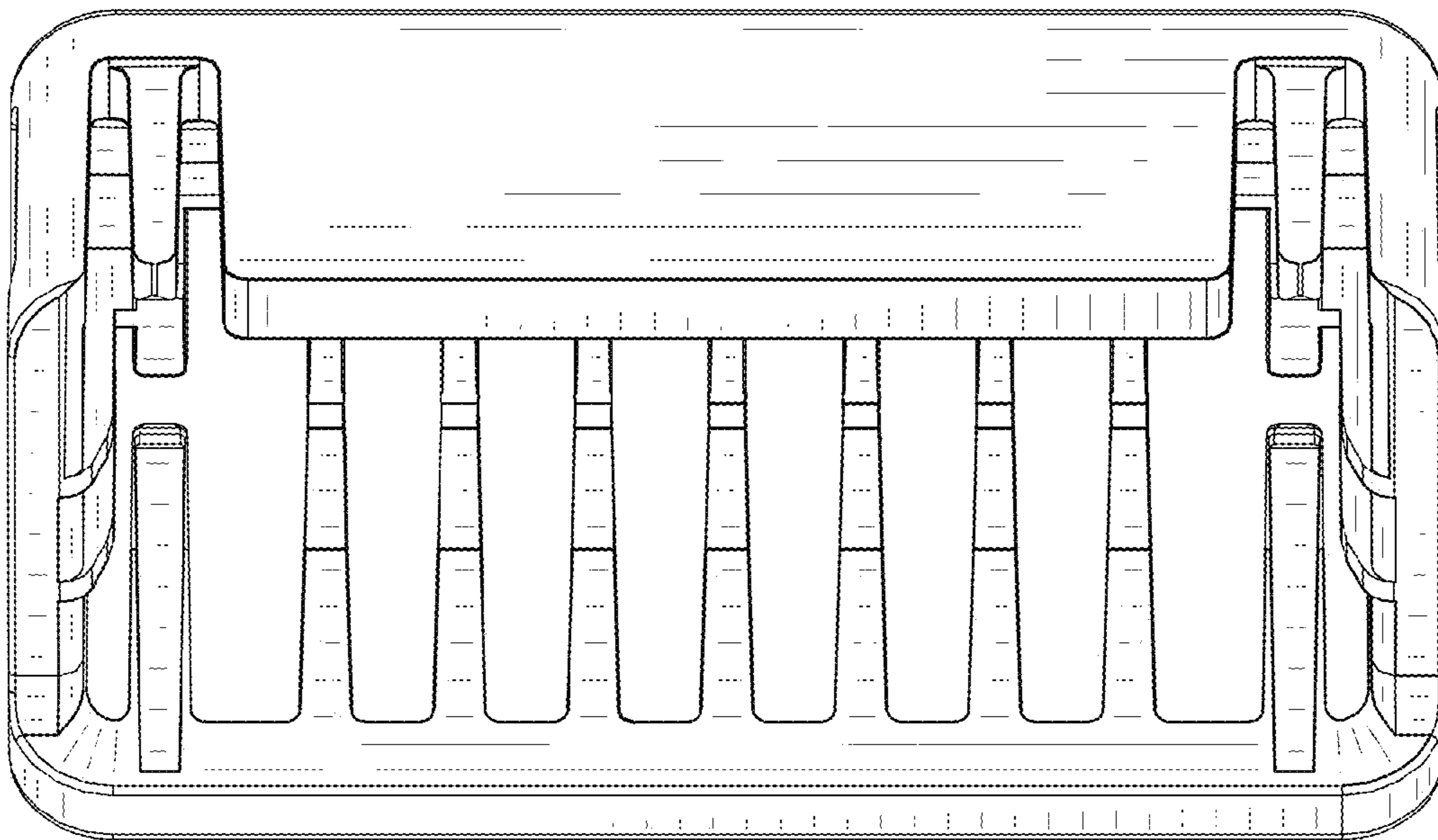


FIG. 7