



US00D754398S

(12) **United States Design Patent**
Shimizu et al.

(10) **Patent No.:** **US D754,398 S**

(45) **Date of Patent:** **** Apr. 19, 2016**

(54) **ROTARY ELECTRIC SHAVER**

Primary Examiner — Jennifer Rivard

(71) Applicant: **Izumi Products Company,**
Matsumoto-shi, Nagano (JP)

(74) *Attorney, Agent, or Firm* — Birch, Stewart, Kolasch & Birch, LLP

(72) Inventors: **Tetsuhiko Shimizu,** Matsumoto (JP);
Yoshiaki Yoshiike, Matsumoto (JP)

(73) Assignee: **IZUMI PRODUCTS COMPANY,**
Nagano (JP)

(57) **CLAIM**

We claim the ornamental design for a rotary electric shaver, as shown and described.

(**) Term: **14 Years**

(21) Appl. No.: **29/484,971**

DESCRIPTION

(22) Filed: **Mar. 14, 2014**

(30) **Foreign Application Priority Data**

Sep. 18, 2013 (JP) 2013-21574
Feb. 25, 2014 (JP) 2014-3745

(51) **LOC (10) Cl.** **28-03**

(52) **U.S. Cl.**
USPC **D28/54**

(58) **Field of Classification Search**
USPC D28/49-54; 30/43.4-43.6
CPC B26B 19/145; B26B 19/146; B26B 19/14;
B26B 19/28; B26B 19/386; B26B 19/04;
B26B 19/141-19/143

See application file for complete search history.

(56) **References Cited**

U.S. PATENT DOCUMENTS

D326,736 S * 6/1992 Oord D28/50
2004/0255466 A1 * 12/2004 Bao 30/43.6

FOREIGN PATENT DOCUMENTS

EP 2116341 A1 * 11/2009 B26B 19/14

* cited by examiner

FIG. 1 is a front elevational view of an rotary electric shaver with a head section formed into an inverted heart shape showing our new design;

FIG. 2 is a top plan view thereof;

FIG. 3 is a rear elevational view thereof;

FIG. 4 is a bottom view thereof;

FIG. 5 is a left side elevational view thereof the right side being a mirror image thereof;

FIG. 6 is a right side perspective view thereof;

FIG. 7 is a right perspective view illustrating a trimmer in an extended position;

FIG. 8 is a front elevational view showing a second embodiment of the present invention;

FIG. 9 is a top plan view thereof;

FIG. 10 is a rear elevational view thereof;

FIG. 11 is a bottom view thereof;

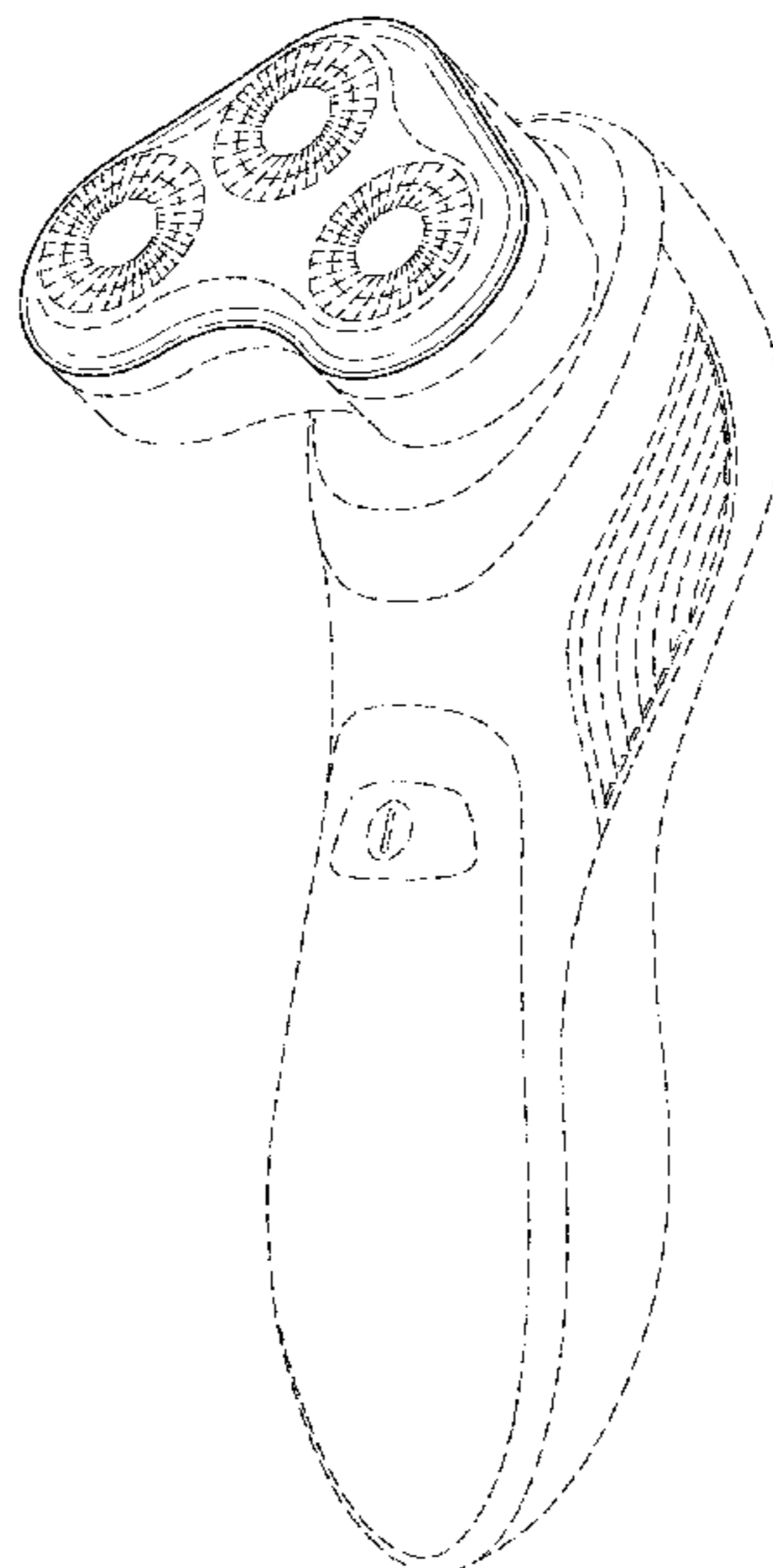
FIG. 12 is a left side elevational view thereof the right side being a mirror image thereof;

FIG. 13 is a right side perspective view thereof; and,

FIG. 14 is a right side perspective view thereof.

The broken lines surrounding the broken line rotary cutter elements illustrate the bounds of the claim. The remaining broken lines illustrate portions of the rotary electric shaver. None of the broken lines forms part of the claimed design.

1 Claim, 14 Drawing Sheets



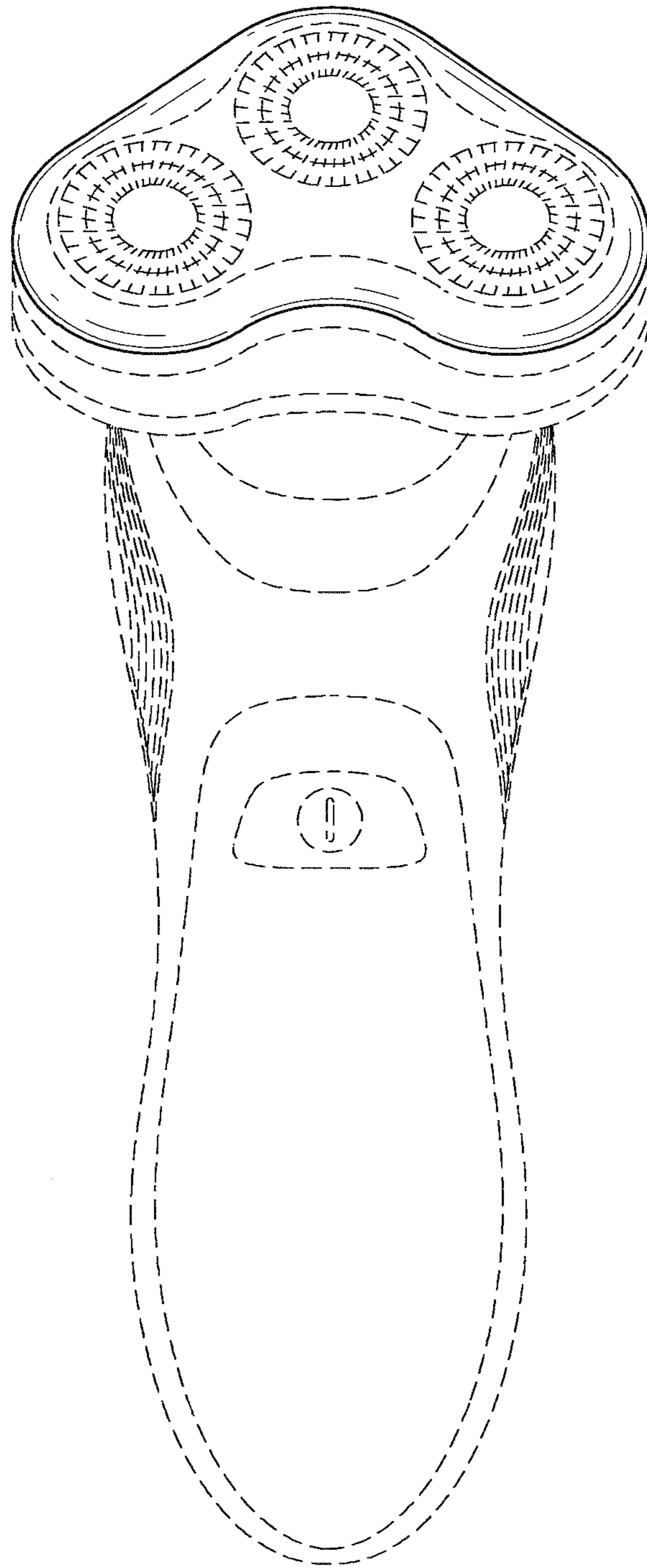


FIG. 1

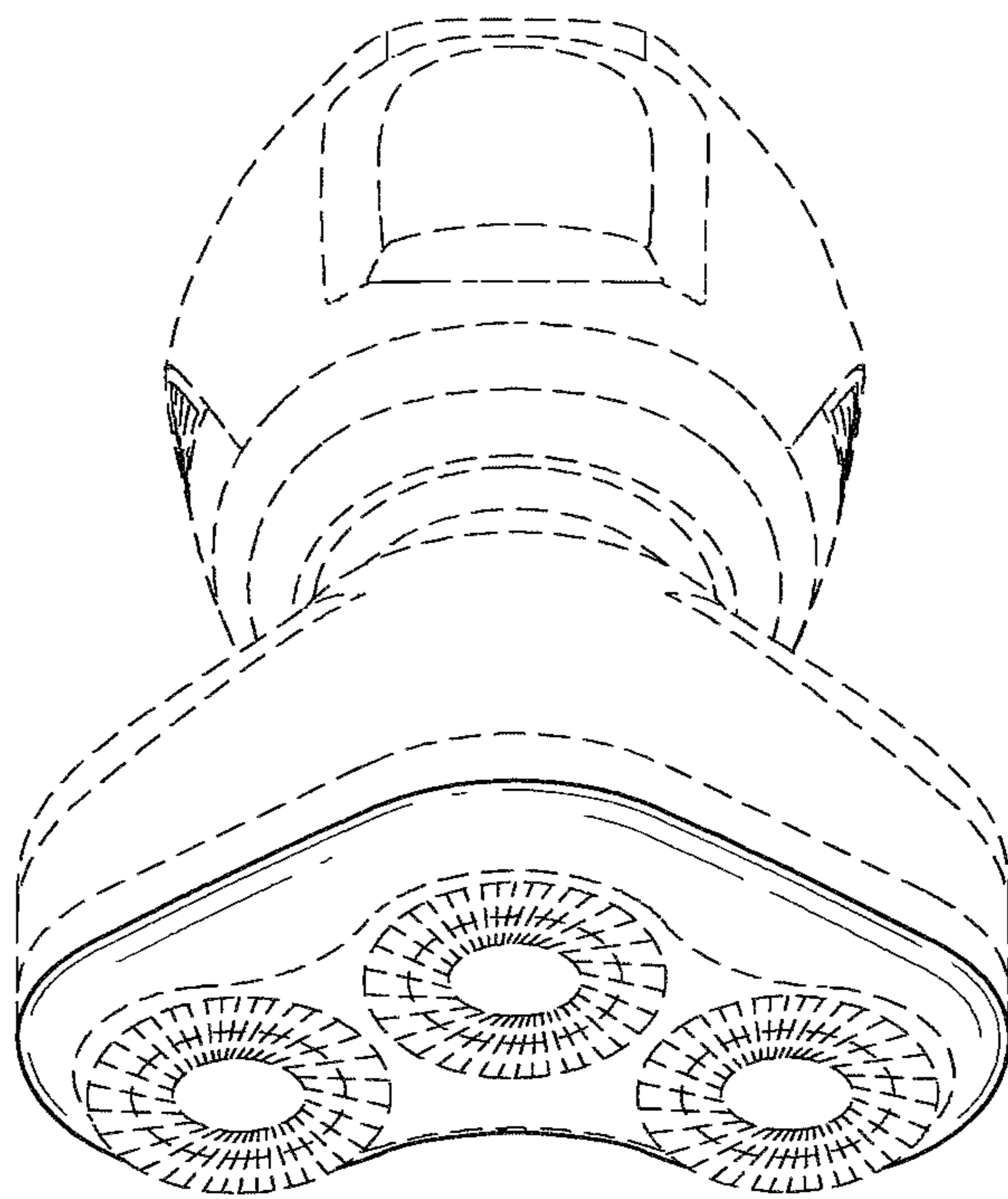


FIG.2

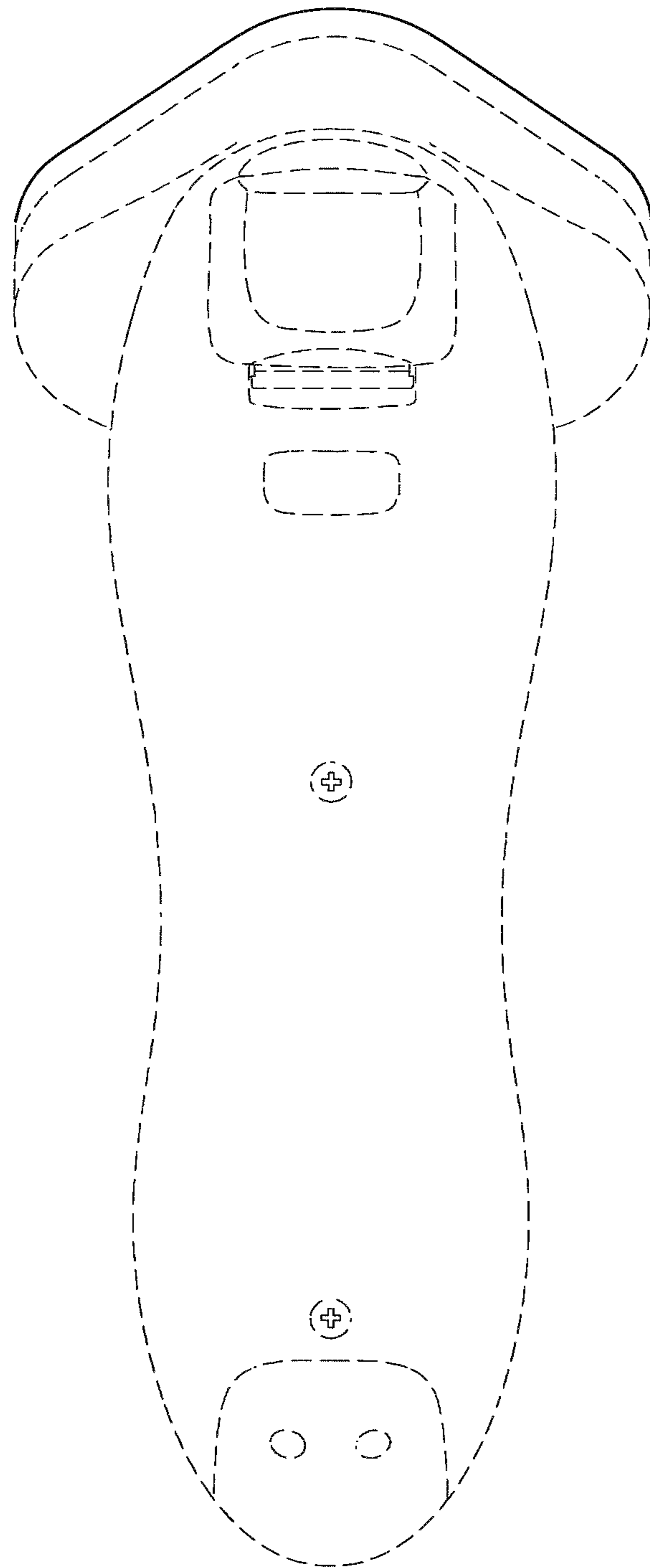


FIG.3

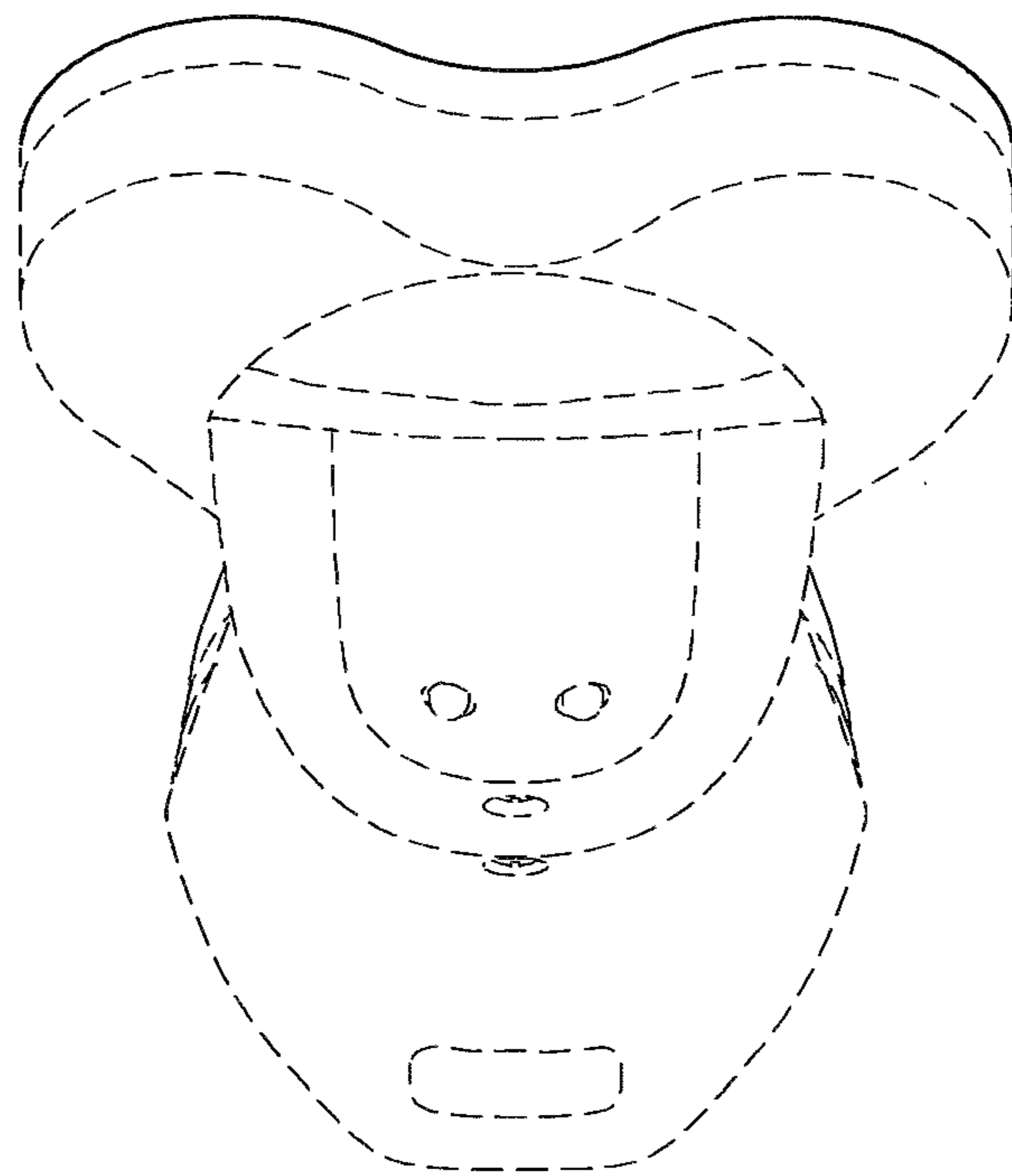


FIG.4

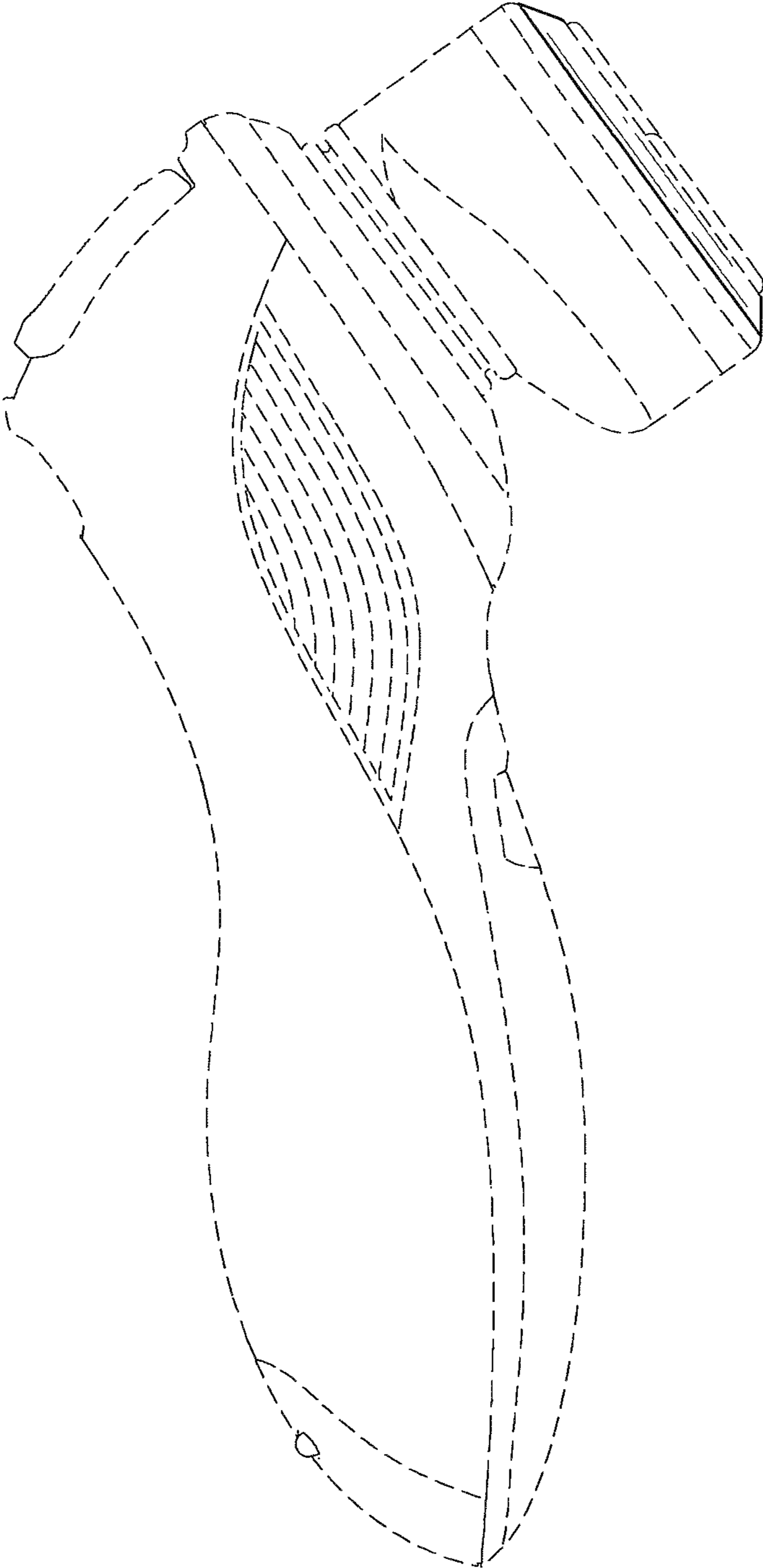


FIG.5

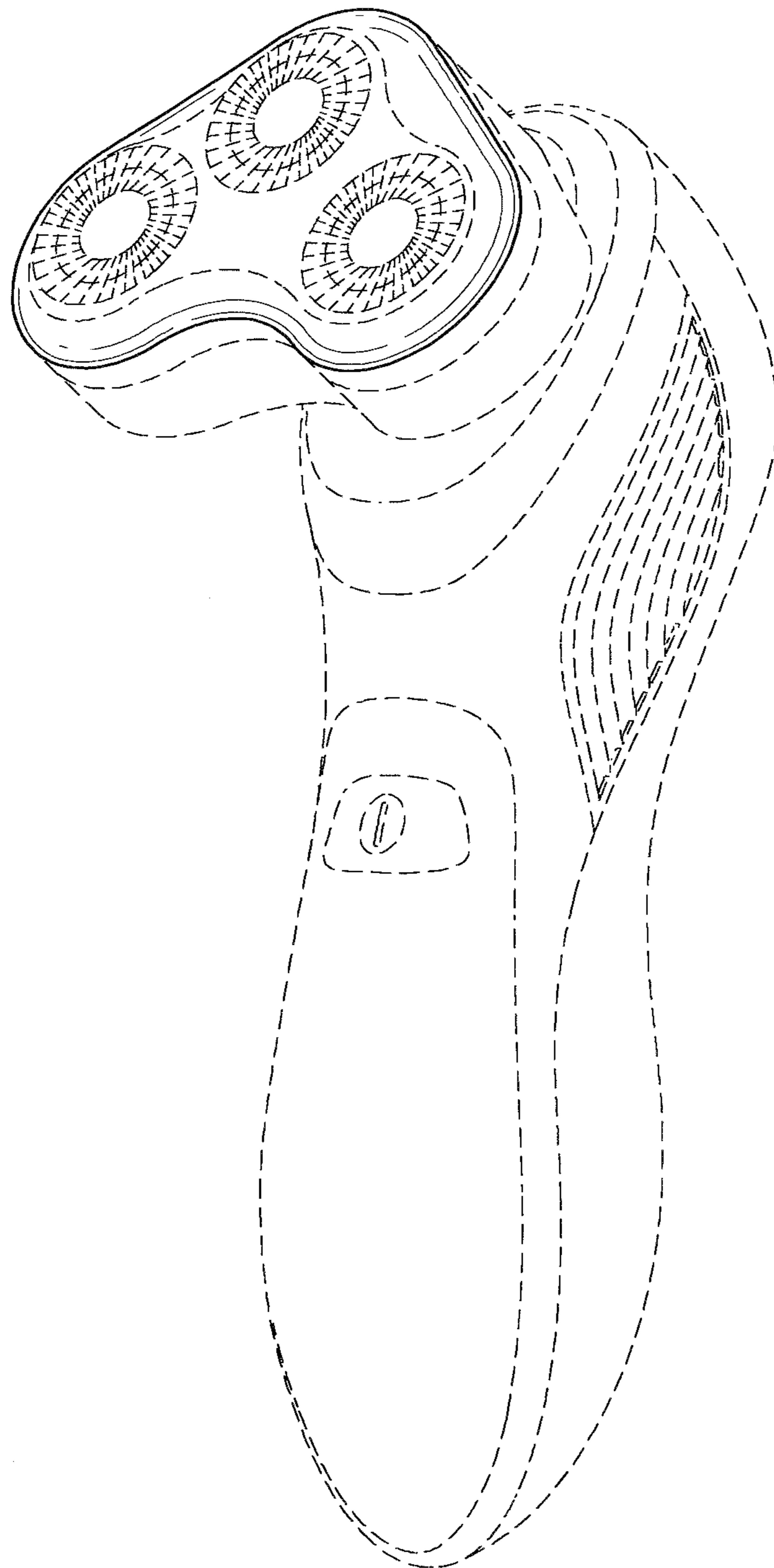


FIG.6

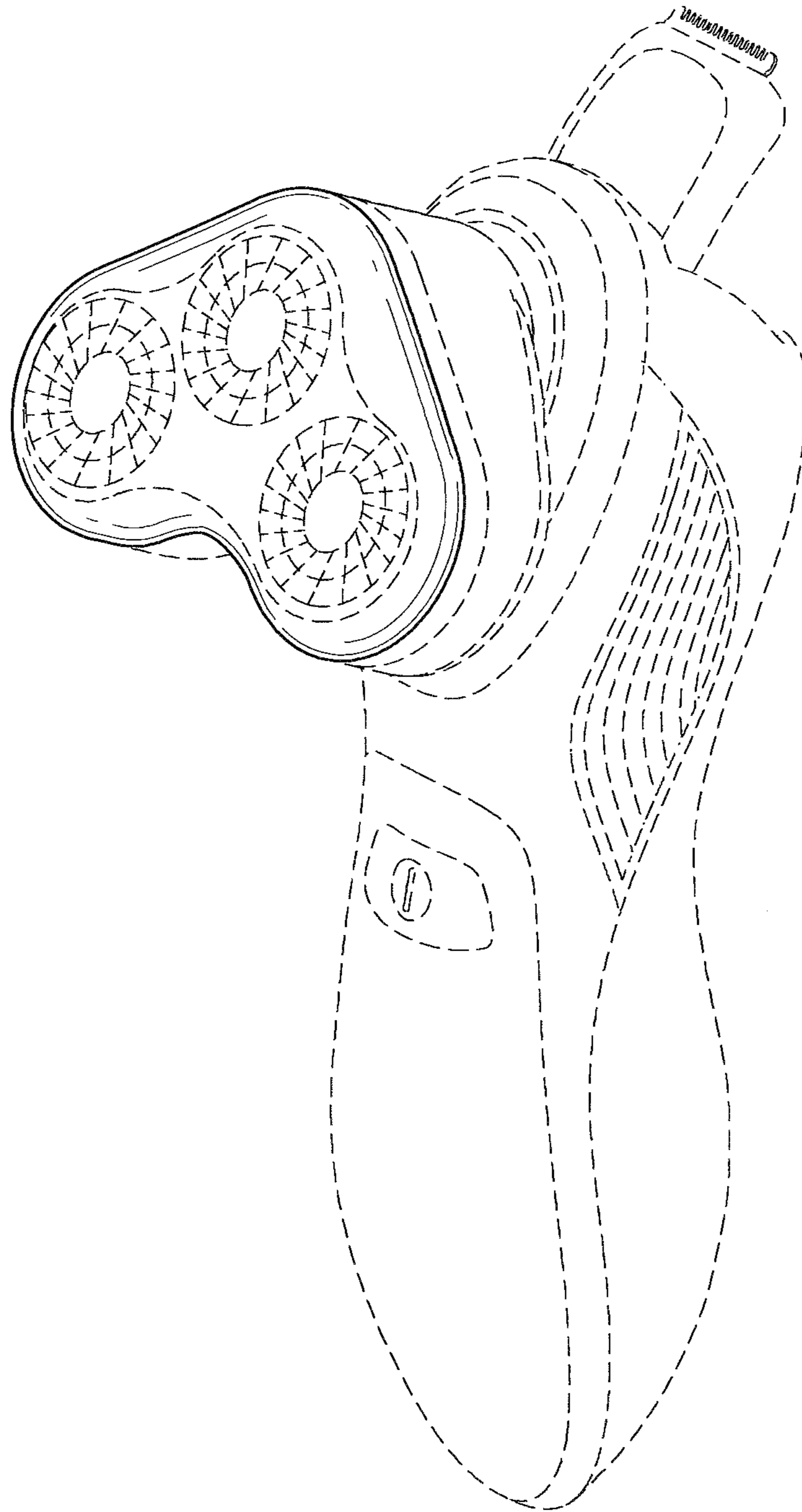


FIG.7

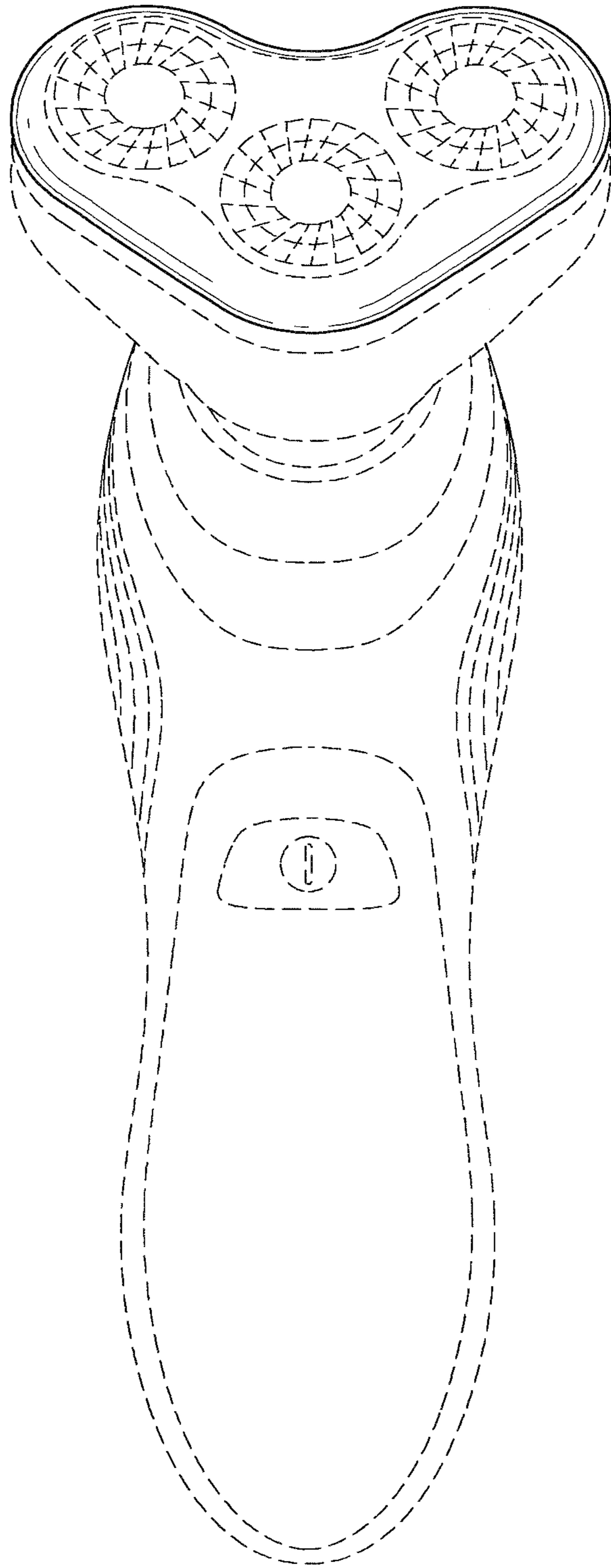


FIG.8

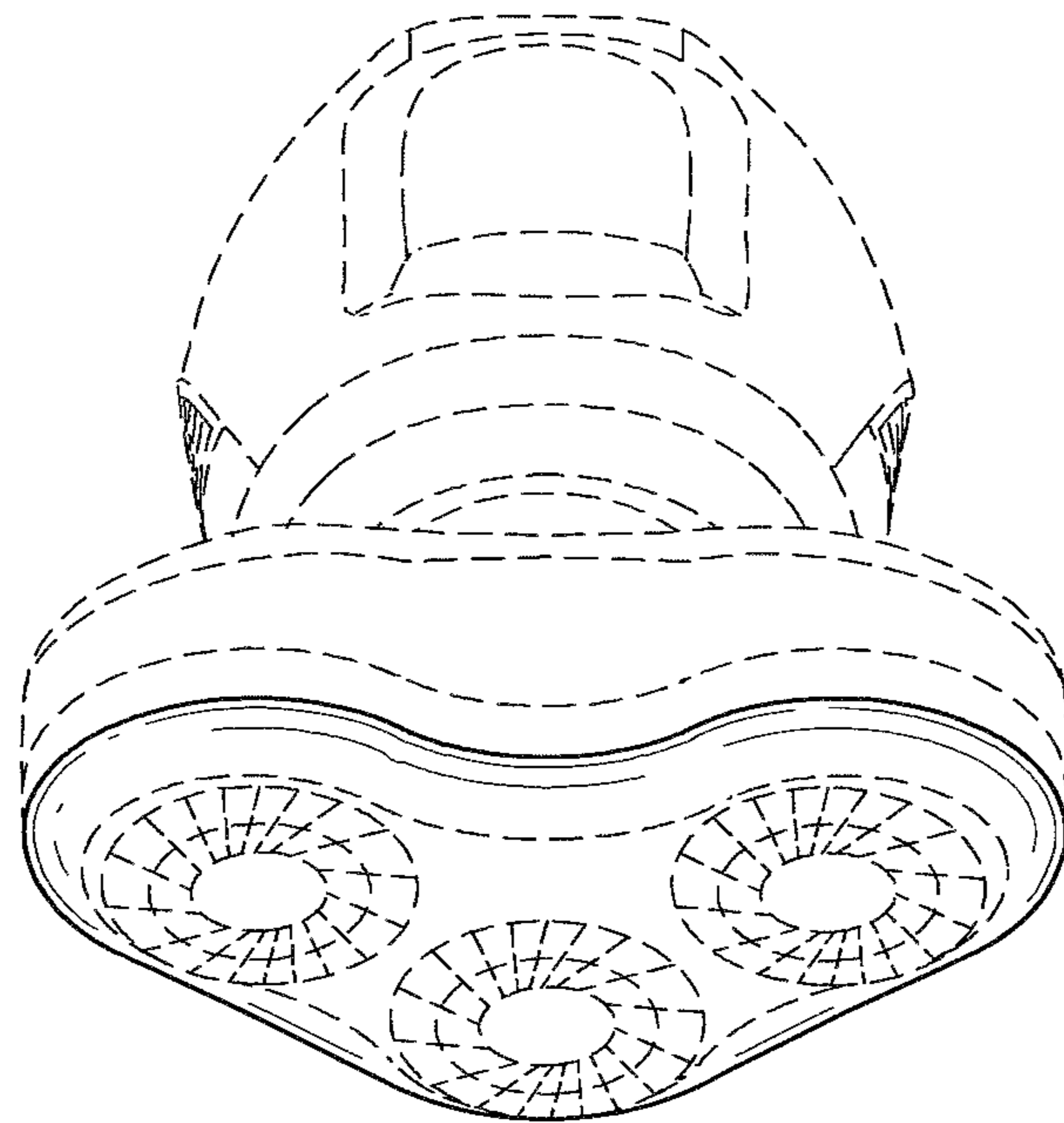


FIG.9

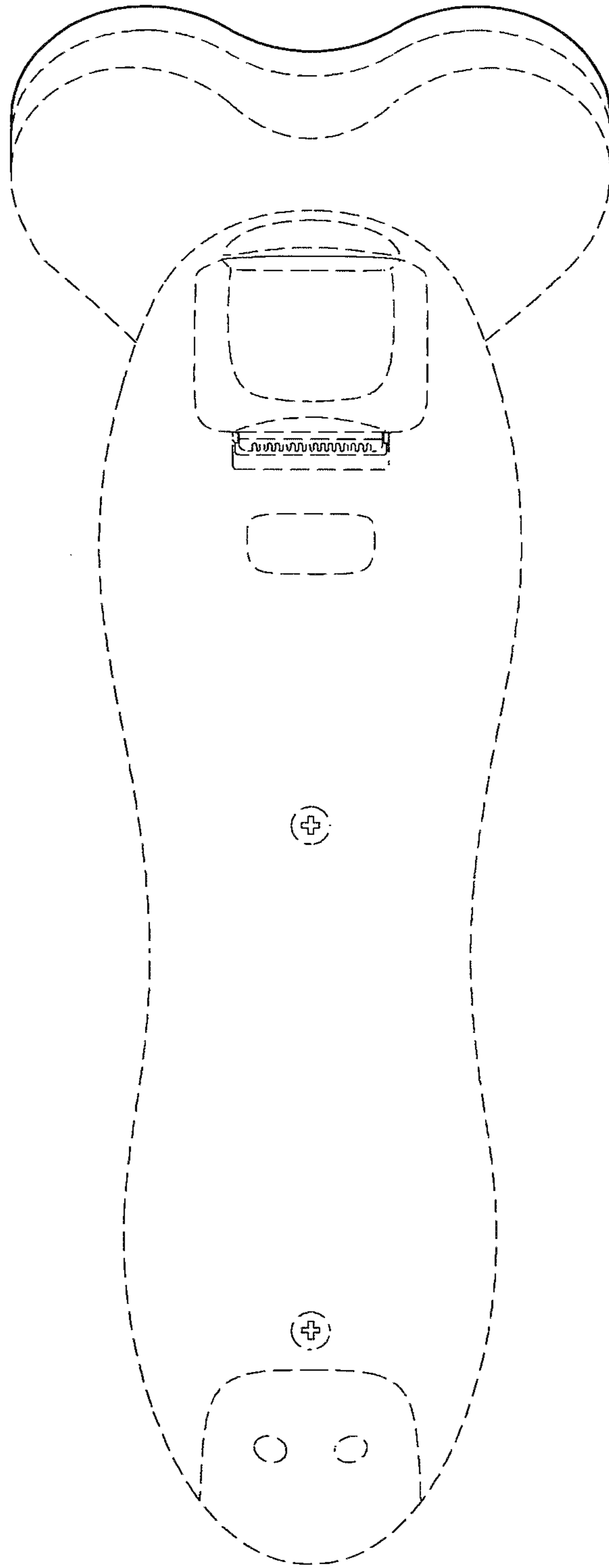


FIG.10

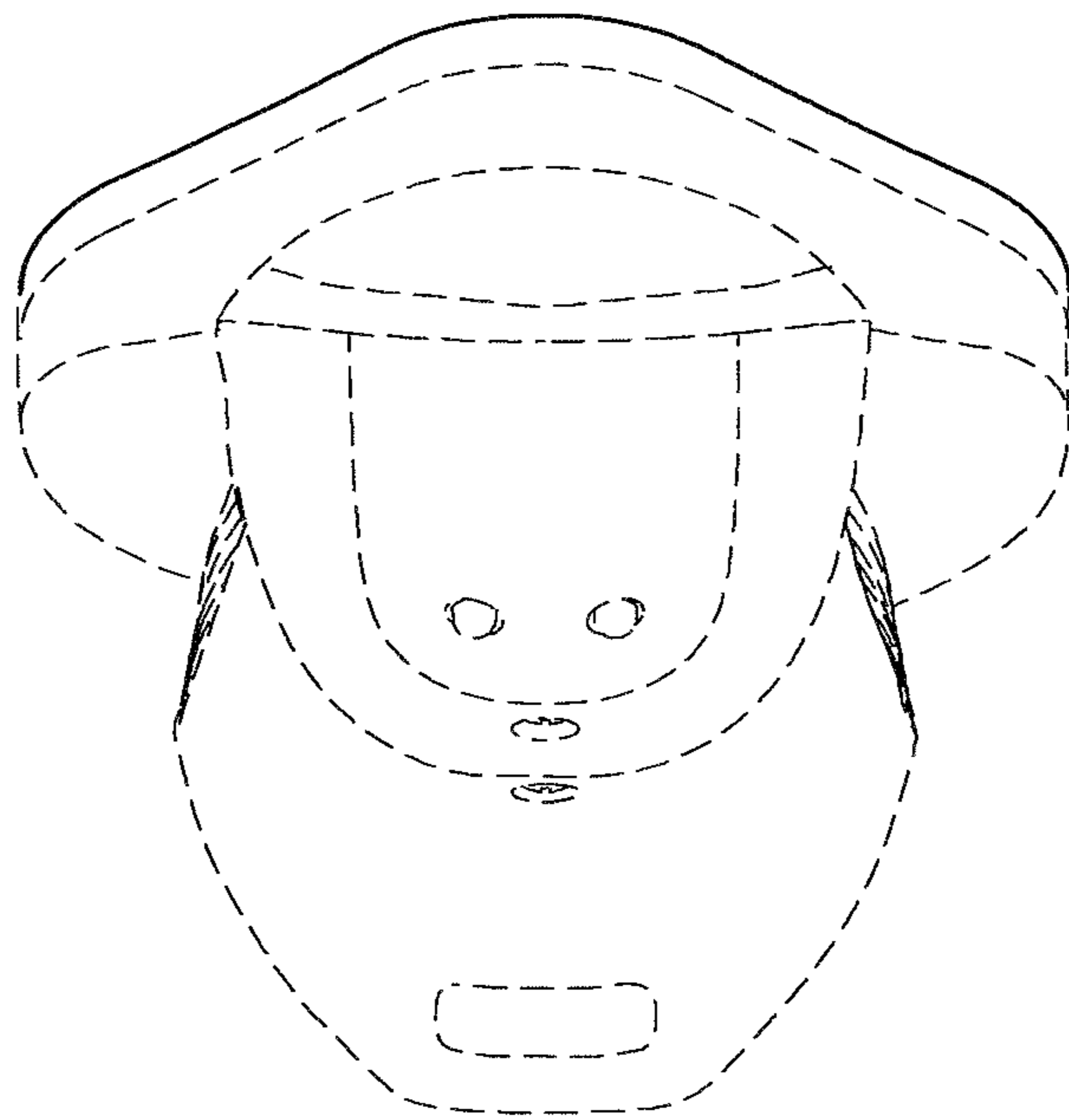


FIG.11

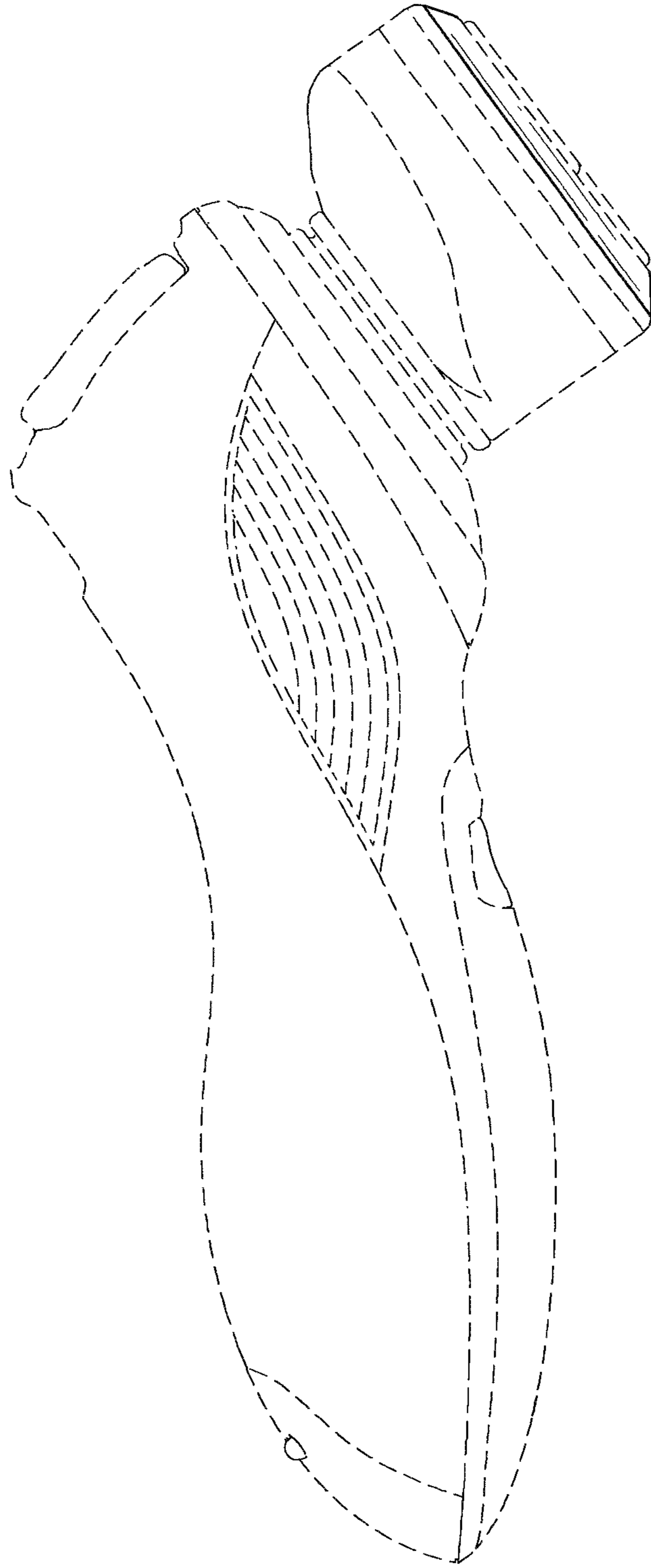


FIG.12

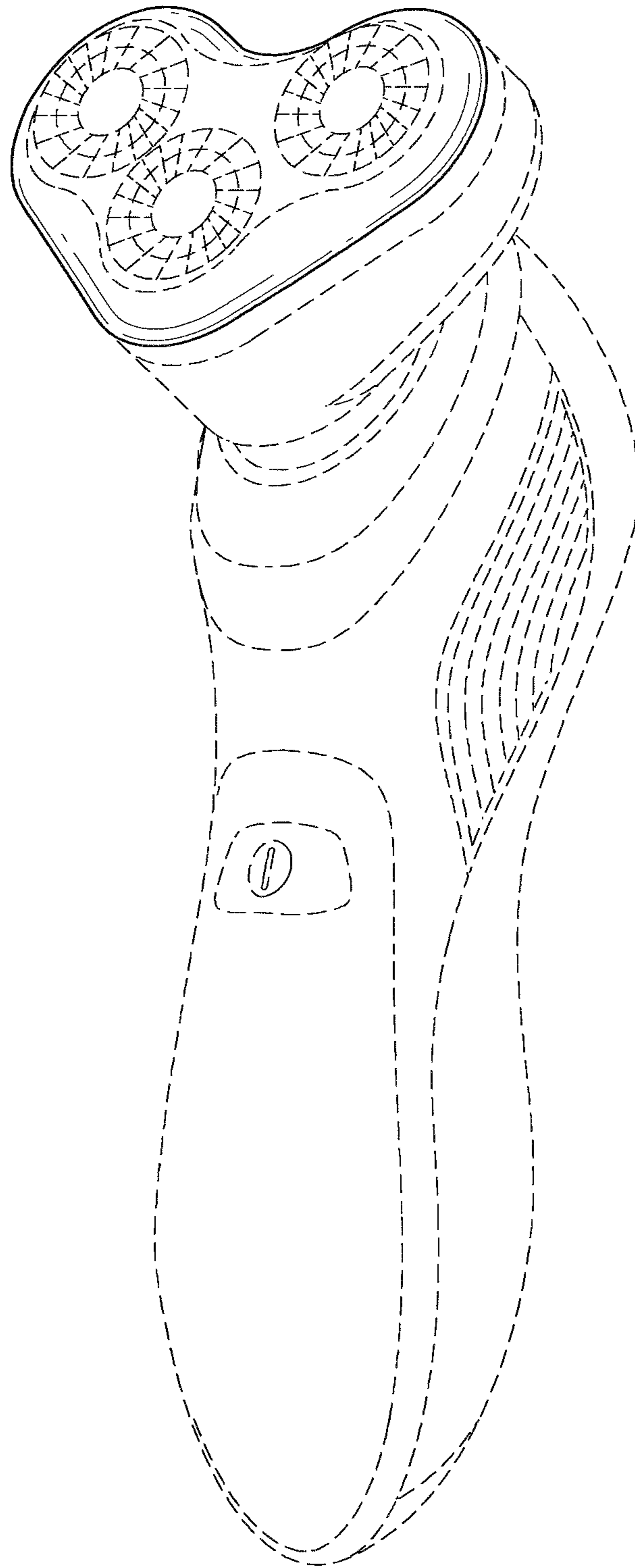


FIG.13

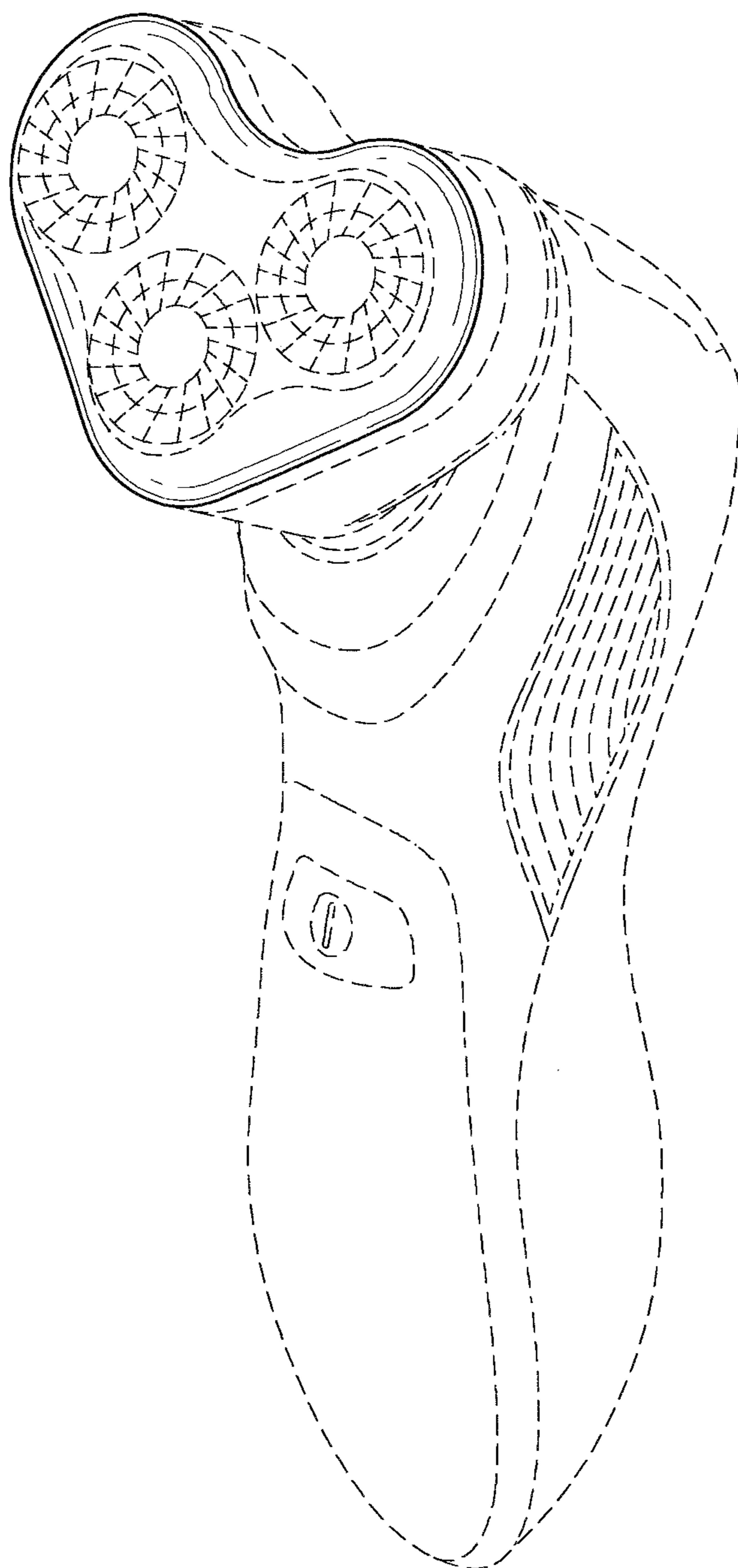


FIG.14