



US00D754397S

(12) **United States Design Patent**
Wisse

(10) **Patent No.:** **US D754,397 S**
(45) **Date of Patent:** **** Apr. 19, 2016**

(54) **DEPILATORY DEVICE**
(71) Applicant: **RECKITT BENCKISER (BRANDS) LIMITED**, Berkshire (GB)
(72) Inventor: **Denis Wisse**, Chartres (FR)
(73) Assignee: **Reckitt Benckiser (Brands) Limited**, Slough, Berkshire (GB)
(**) Term: **14 Years**
(21) Appl. No.: **29/521,313**
(22) Filed: **Mar. 23, 2015**

(30) **Foreign Application Priority Data**
Oct. 1, 2014 (EM) 002549097-001
Oct. 1, 2014 (EM) 002549097-003
(51) **LOC (10) Cl.** **28-03**
(52) **U.S. Cl.**
USPC **D28/44.1**
(58) **Field of Classification Search**
USPC D28/44-44.1; 606/133; 40/638;
D20/22, 27, 40; D5/4, 7, 1-3, 56
CPC A45D 26/0014; A45D 26/0004; A45D
26/0019; A45D 26/00; A45D 2200/1027;
B31D 1/022; B31D 1/026; G09F
2003/0264-2003/0269; A09F 3/10
See application file for complete search history.

(56) **References Cited**
U.S. PATENT DOCUMENTS
2,377,774 A * 6/1945 Gotham A45D 26/00
8/160
2,425,696 A * 8/1947 Herrmann A45D 26/00
606/134
2,954,324 A * 9/1960 Brummer A61K 8/0208
606/134
3,808,637 A * 5/1974 Lapidus A45D 26/0019
452/71

D303,175 S * 9/1989 Wilson D2/862
D382,911 S * 8/1997 Magner D20/22
D543,592 S * 5/2007 Singh D21/377
D672,919 S * 12/2012 Campbell D28/44.1
2011/0202072 A1 * 8/2011 Smith A61K 8/02
606/133
2012/0029530 A1 * 2/2012 Gunstream A45D 26/0019
606/134
2013/0340260 A1 * 12/2013 Sueyoshi A45D 26/0057
30/123
2014/0350575 A1 * 11/2014 DiSotto A45D 26/0014
606/134

FOREIGN PATENT DOCUMENTS

WO WO 2012020245 A1 * 2/2012 A45D 26/0014
* cited by examiner

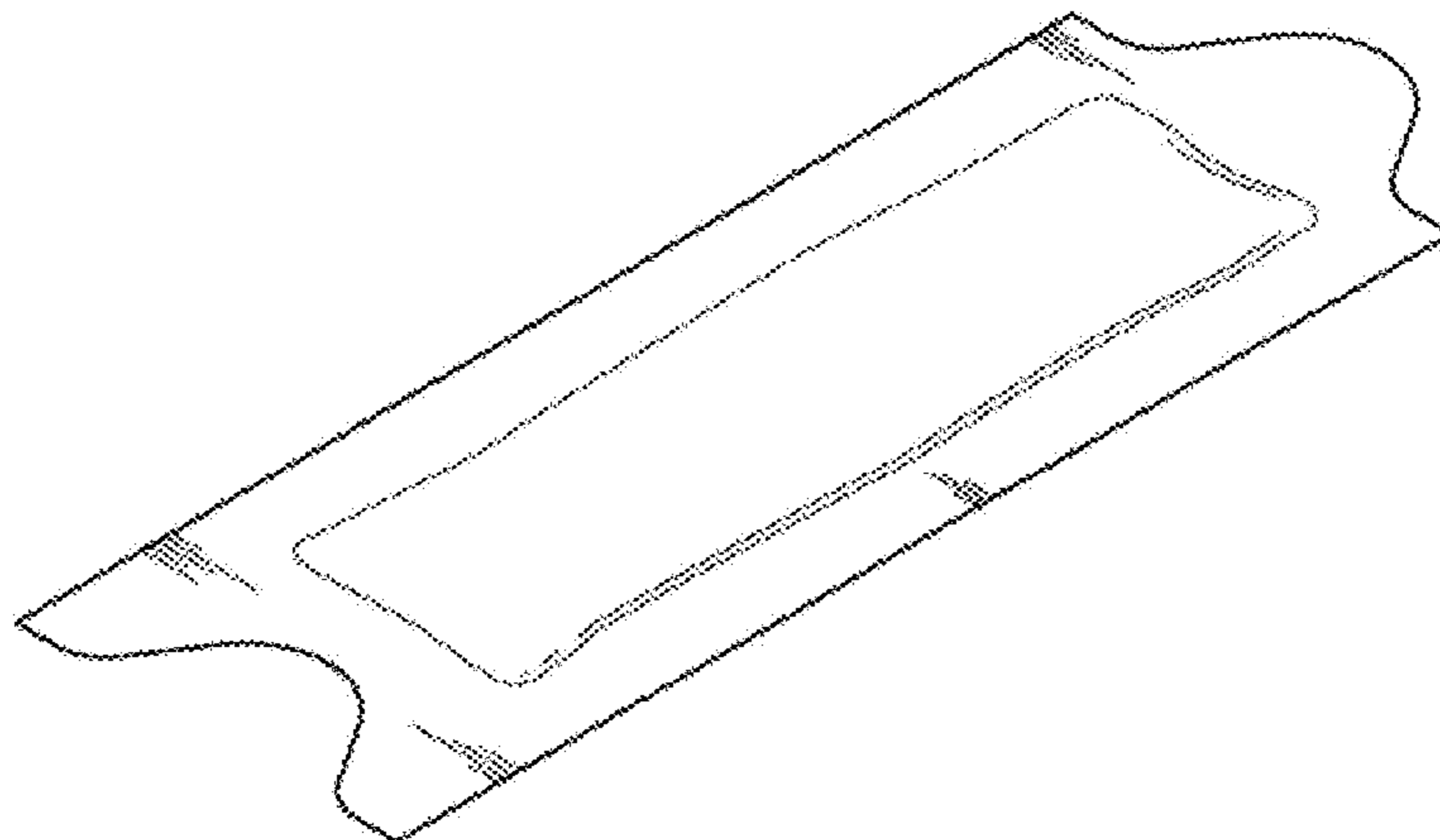
Primary Examiner — Jennifer Rivard
(74) *Attorney, Agent, or Firm* — Norris McLaughlin & Marcus PA

(57) **CLAIM**
The ornamental design for depilatory device, as shown and described.

DESCRIPTION

FIG. 1 is a front and right perspective view of a first embodiment of my depilatory device;
FIG. 2 is a front elevation view thereof;
FIG. 3 is a rear elevation view thereof;
FIG. 4 is a left side view thereof;
FIG. 5 is a top plan view thereof;
FIG. 6 is a front and right perspective view of a second embodiment of my depilatory device;
FIG. 7 is a front elevation view thereof;
FIG. 8 is a rear elevation view thereof;
FIG. 9 is a left side view thereof; and,
FIG. 10 is a top plan view.
The broken lines shown in FIGS. 6-8 illustrate perforations and form part of the claimed design.

1 Claim, 10 Drawing Sheets



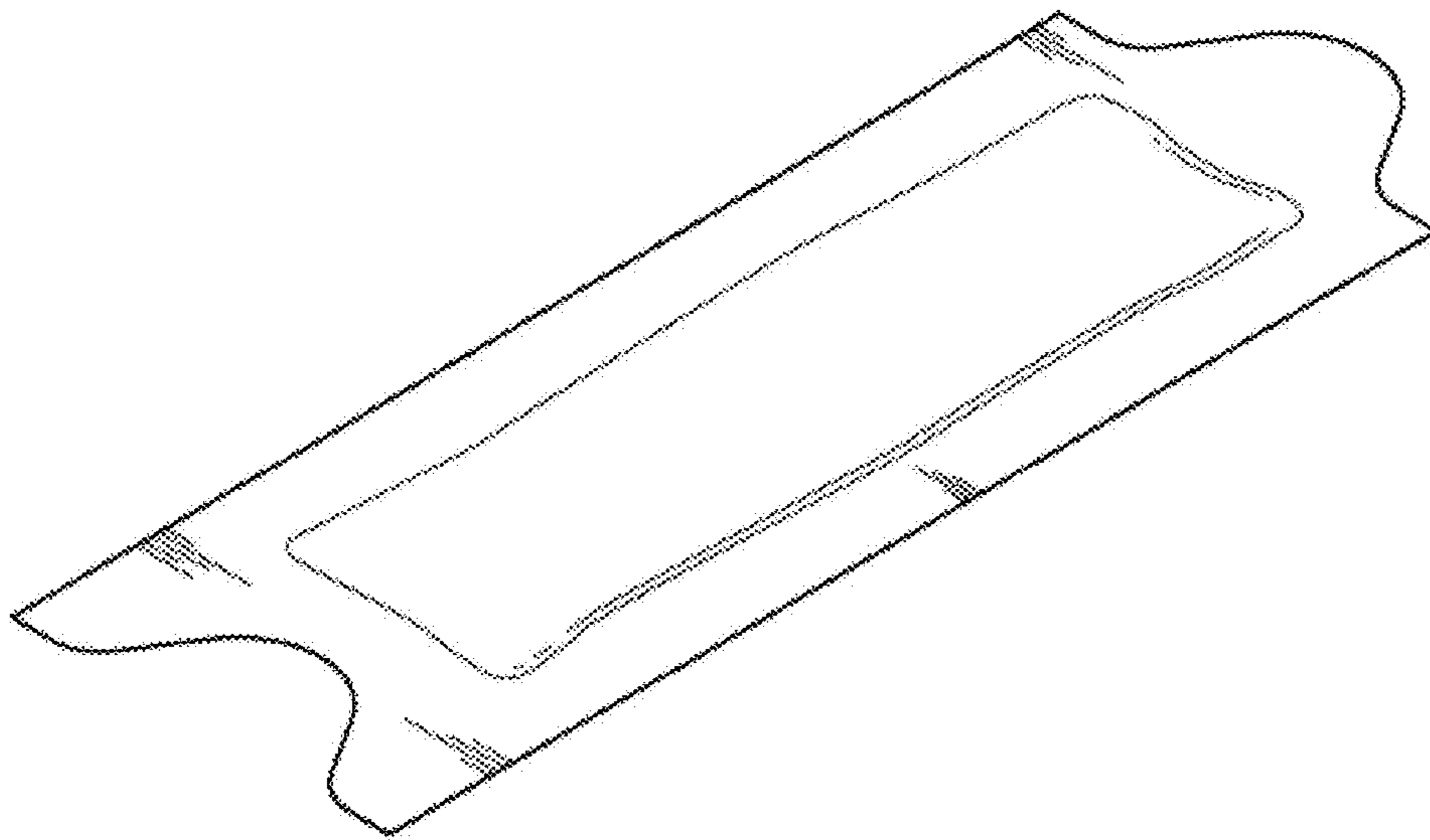


Fig. 1

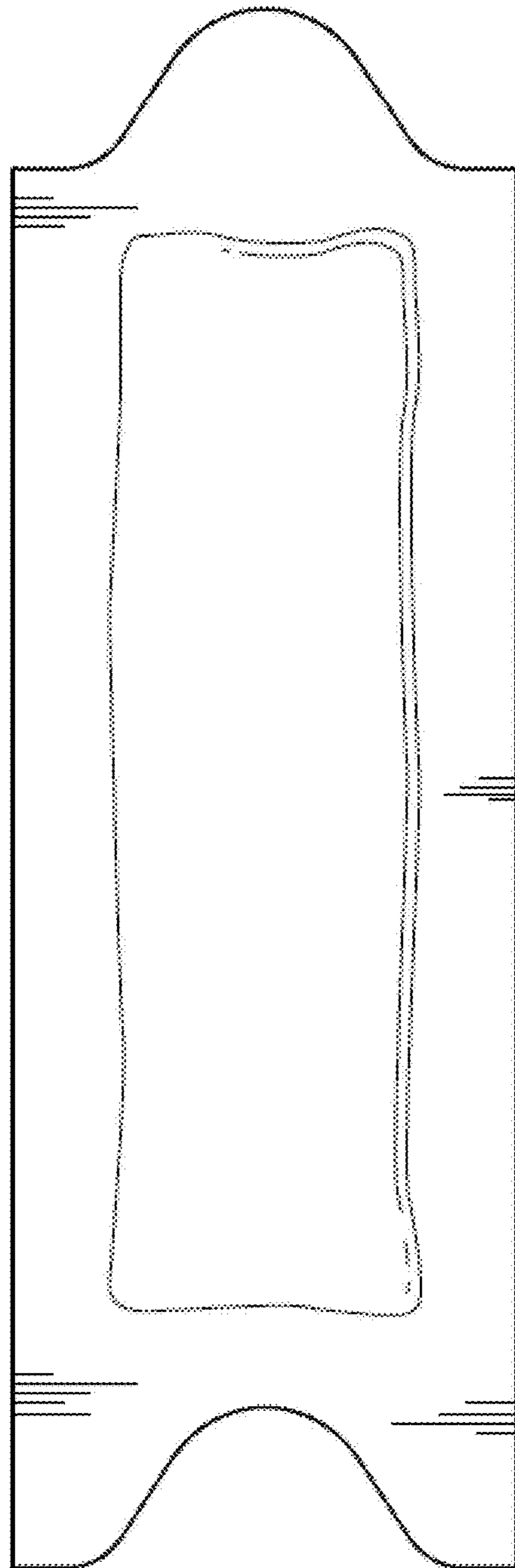


Fig. 2

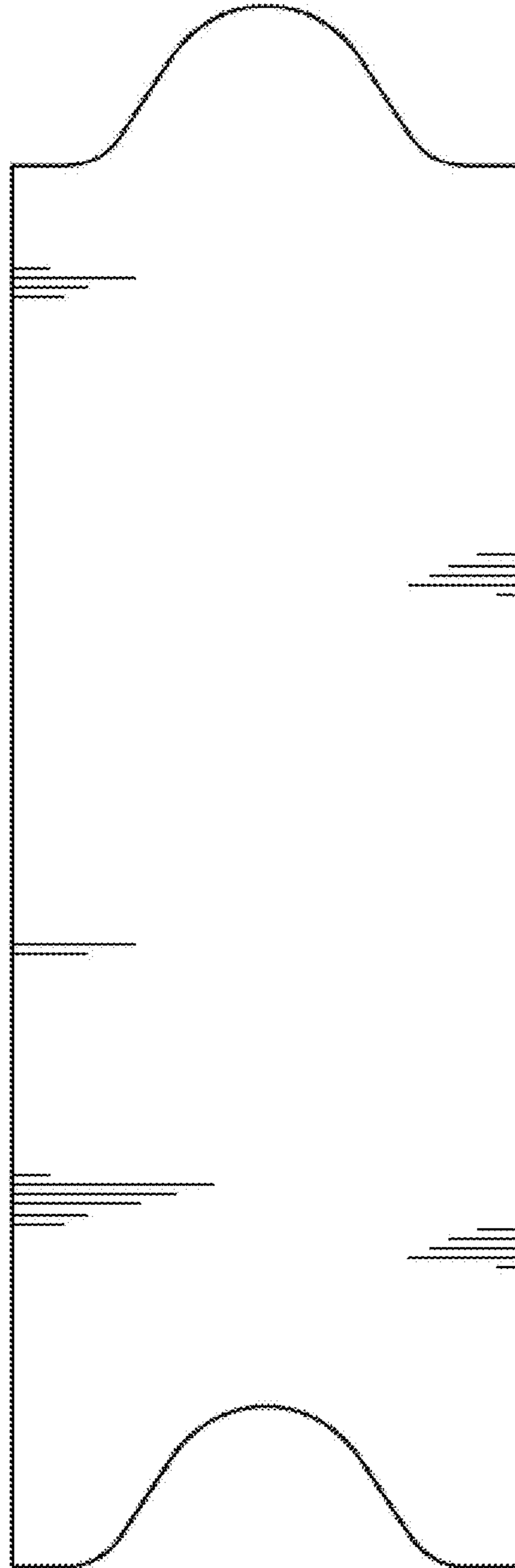


Fig. 3



Fig. 4

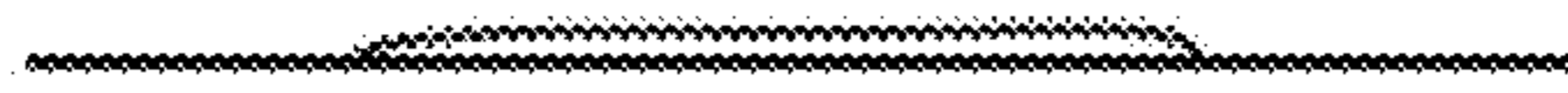


Fig. 5

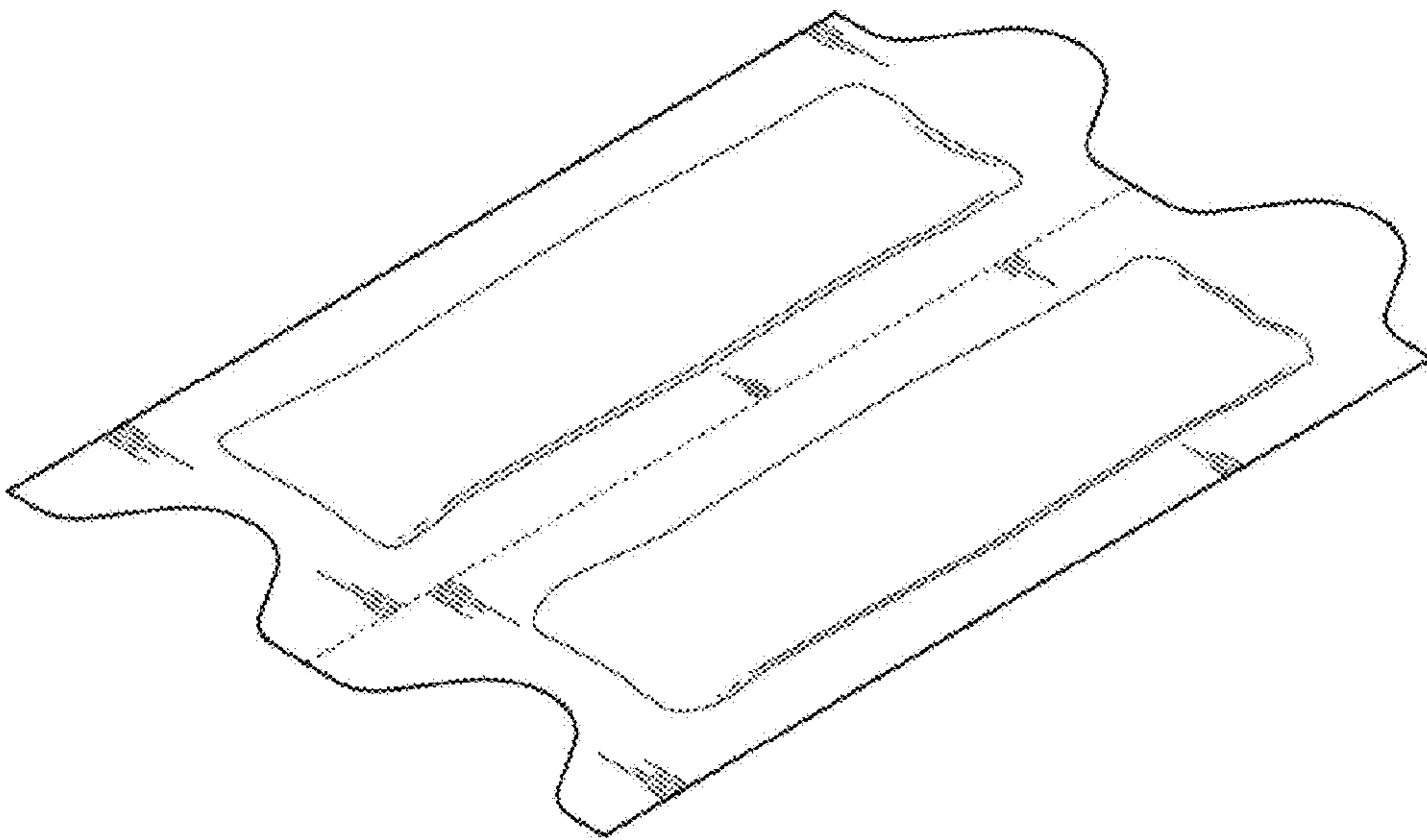


Fig. 6

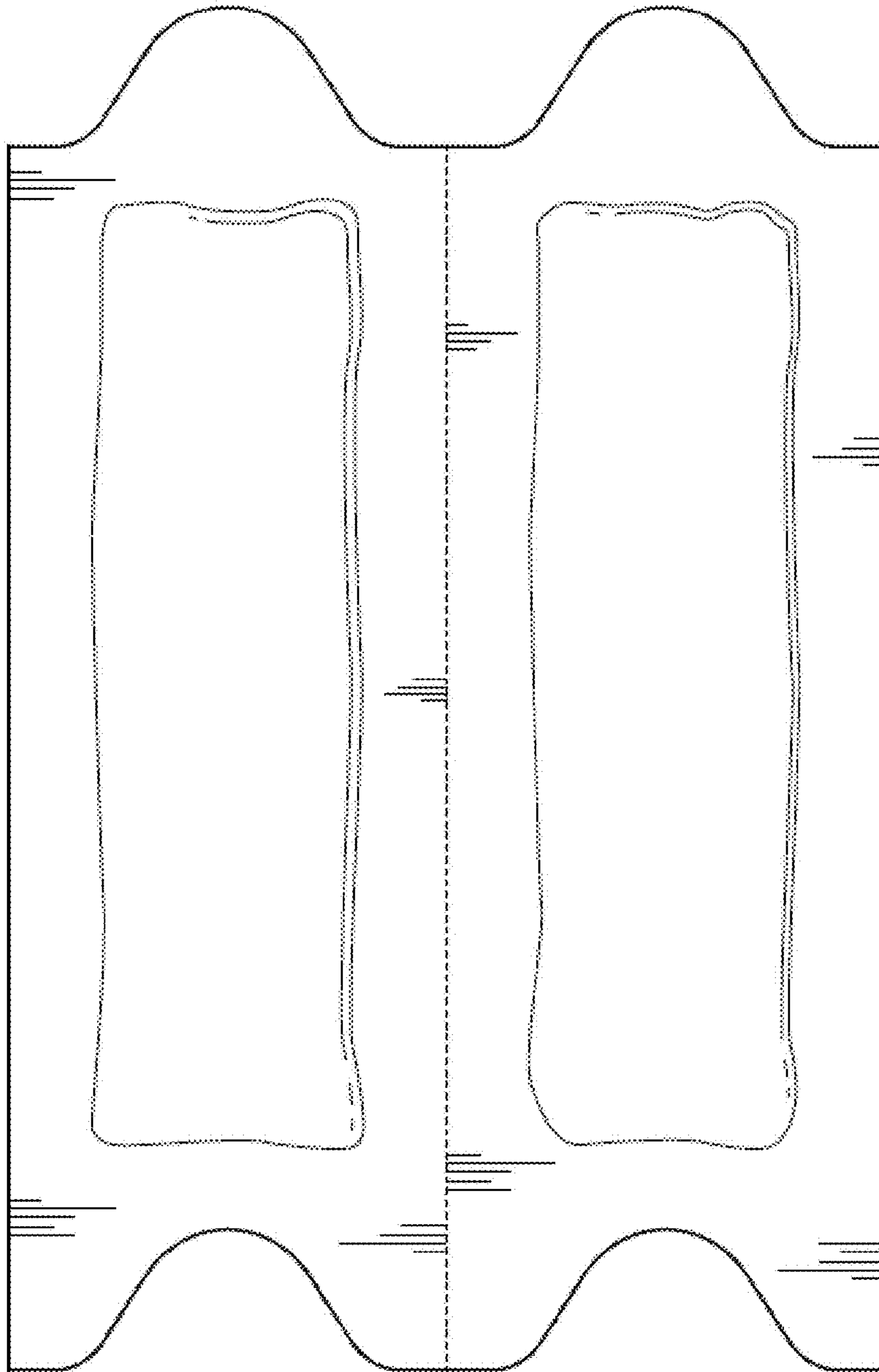


Fig. 7

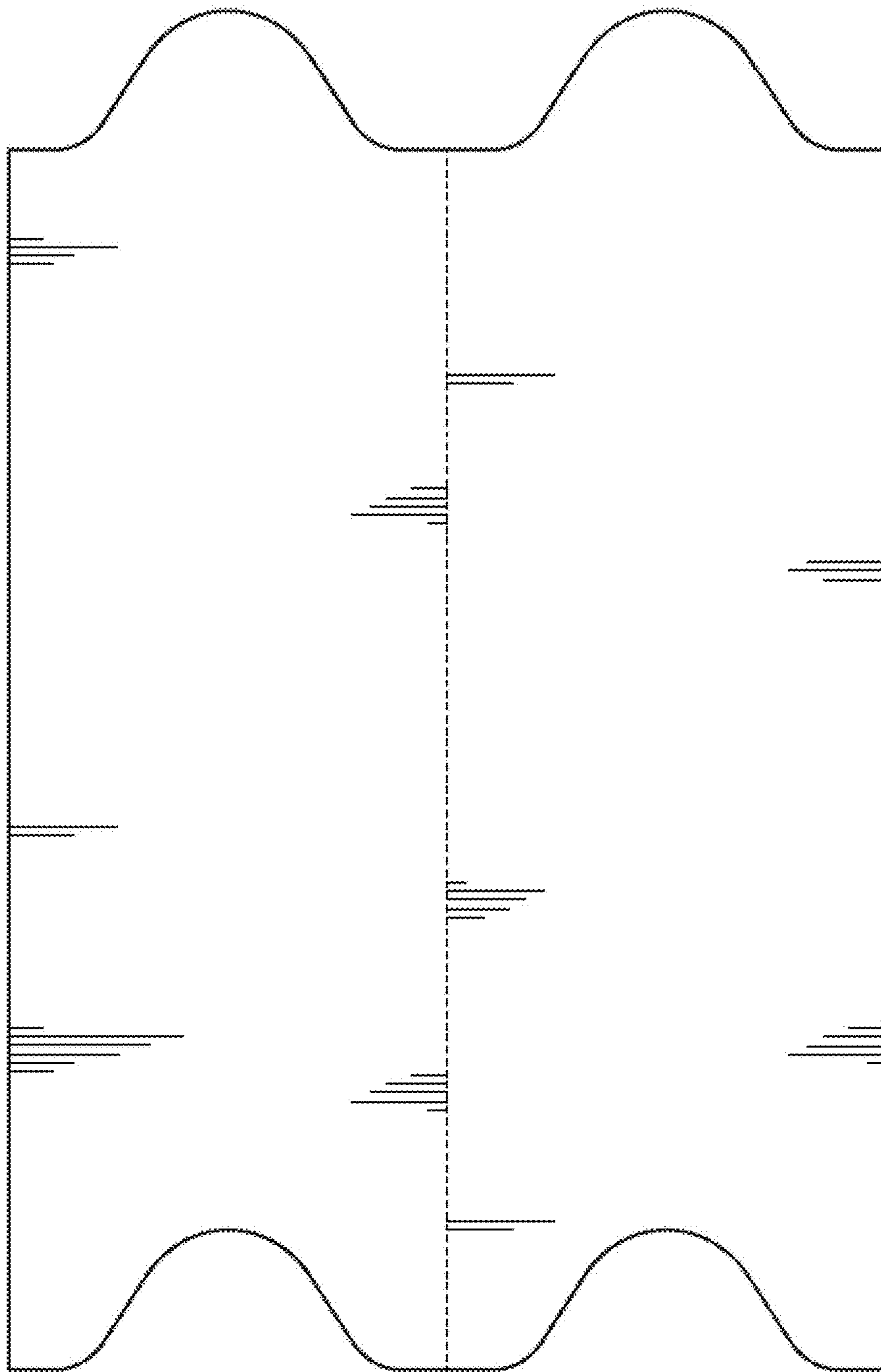


Fig. 8



Fig. 9



Fig. 10