

US00D754396S

(12) **United States Design Patent**
Keong

(10) **Patent No.:** **US D754,396 S**
(45) **Date of Patent:** **** Apr. 19, 2016**

(54) **HAIR STYLING APPARATUS**

(71) Applicant: **Kenford Industrial Company Ltd.**,
New Territories (HK)

(72) Inventor: **Wai Ho Michael Keong**, New
Territories (HK)

(73) Assignee: **KENFORD INDUSTRIAL
COMPANY LTD.**, New Territories
(HK)

(**) Term: **14 Years**

(21) Appl. No.: **29/512,632**

(22) Filed: **Dec. 22, 2014**

(30) **Foreign Application Priority Data**

Jun. 24, 2014 (HK) 1401186

(51) **LOC (10) Cl.** **28-03**

(52) **U.S. Cl.**
USPC **D28/35**

(58) **Field of Classification Search**
USPC D28/35, 37, 38
CPC A45D 1/00; A45D 2001/002-2001/008;
A45D 2001/045; A45D 1/02-1/04; A45D
1/06-1/28; A45D 2/40; A45D 6/02; A45D
6/04

See application file for complete search history.

(56) **References Cited**

U.S. PATENT DOCUMENTS

D491,310 S * 6/2004 Glucksman D28/35
D717,000 S * 11/2014 Julemont D28/35
D724,784 S * 3/2015 Richmond D28/35
2013/0125919 A1* 5/2013 De Benedictis A45D 2/02
132/238
2015/0196105 A1* 7/2015 Leung A45D 1/04
132/228
2015/0216281 A1* 8/2015 De Benedictis A45D 2/02
132/230

FOREIGN PATENT DOCUMENTS

WO WO 2015064860 A1 * 5/2015 A45D 1/04

* cited by examiner

Primary Examiner — Jennifer Rivard
(74) *Attorney, Agent, or Firm* — Rabin & Berdo, P.C.

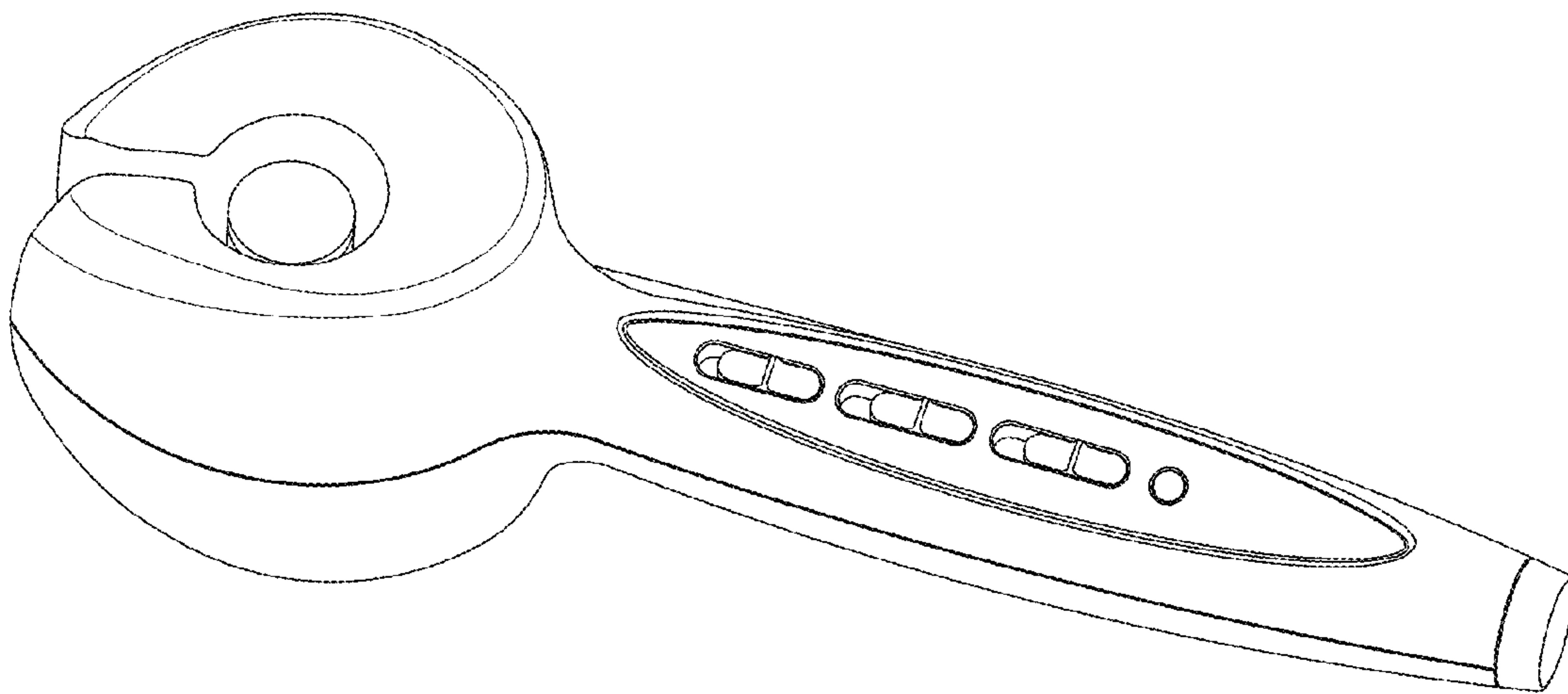
(57) **CLAIM**

The ornamental design for a hair styling apparatus, as shown and described.

DESCRIPTION

FIG. 1 is a front view of a hair styling apparatus showing my new design;
FIG. 2 is a rear view thereof;
FIG. 3 is a left side view thereof;
FIG. 4 is a right side view thereof;
FIG. 5 is a top plan view thereof;
FIG. 6 is a bottom plan view thereof; and,
FIG. 7 is a perspective view thereof.

1 Claim, 6 Drawing Sheets



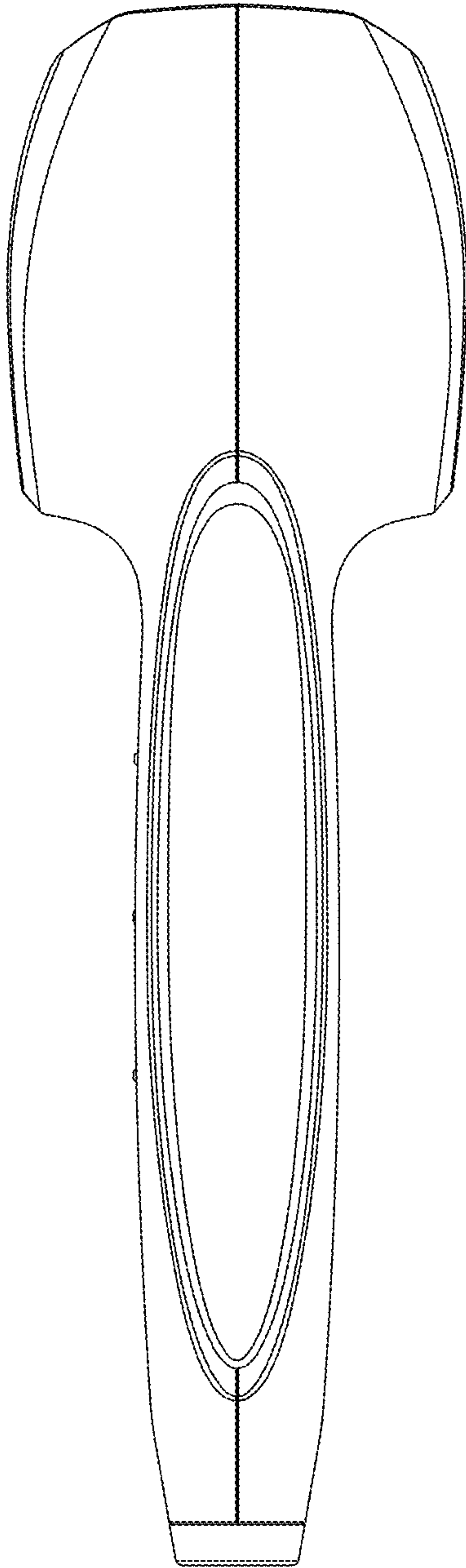


FIG. 1

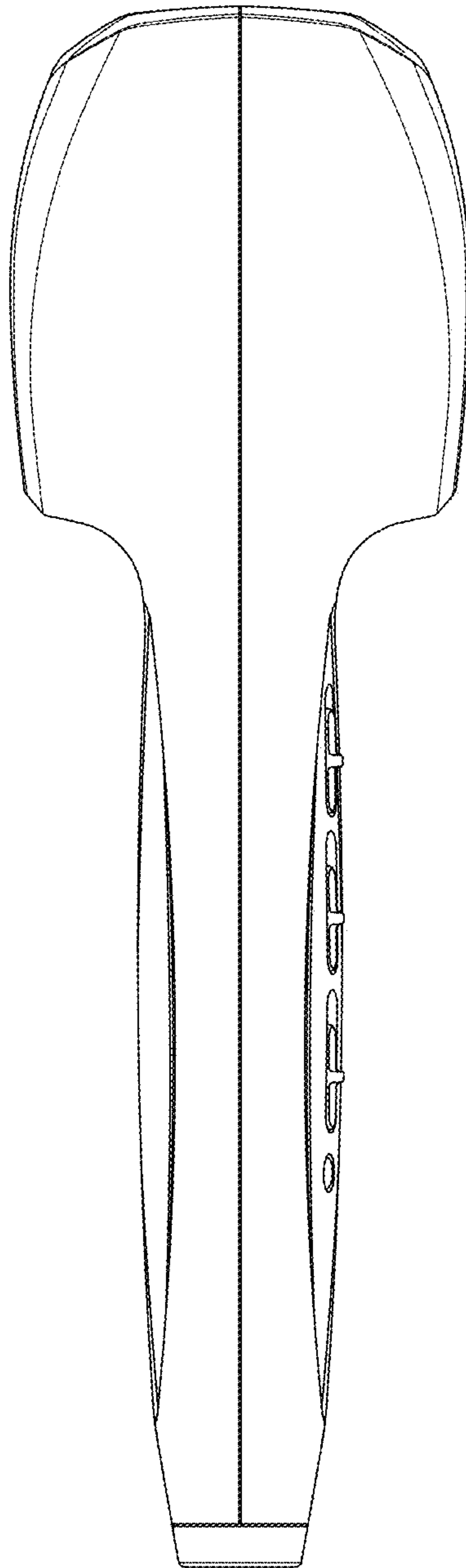


FIG. 2

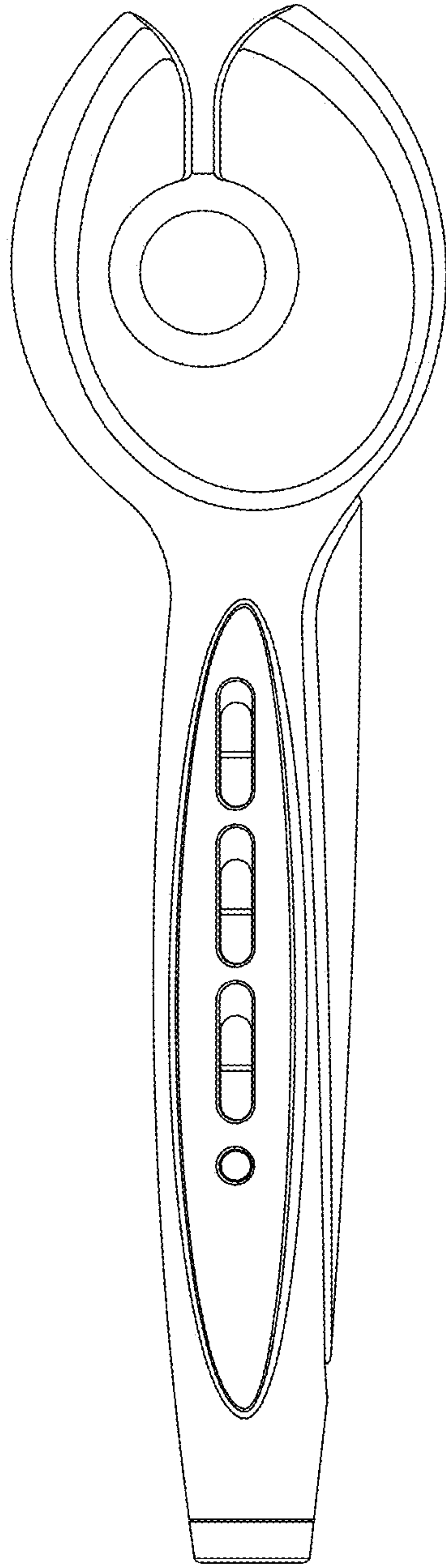


FIG. 3

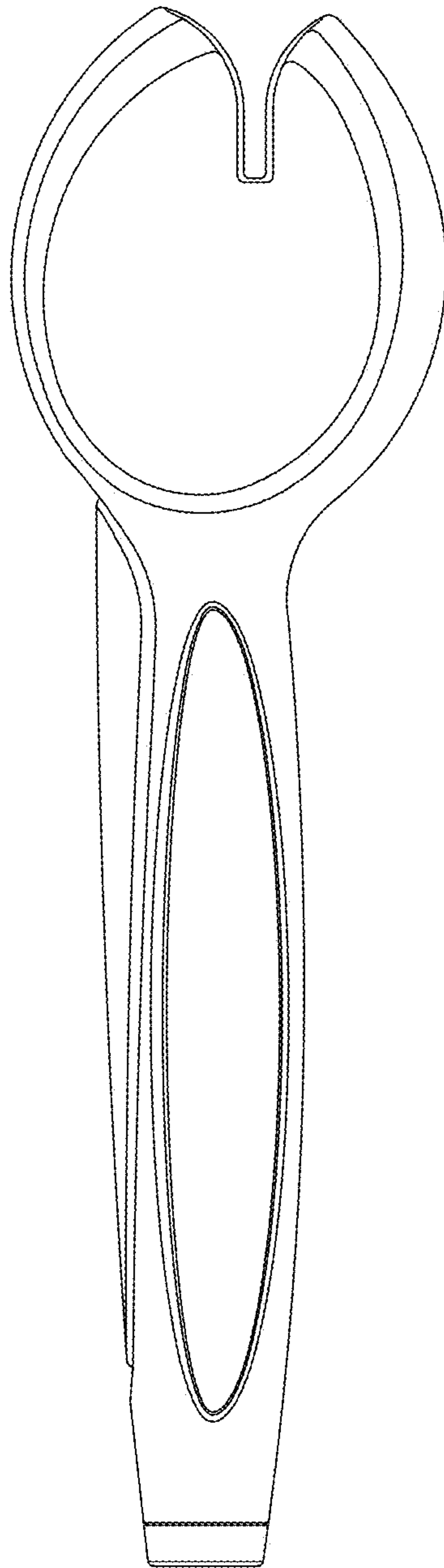


FIG. 4

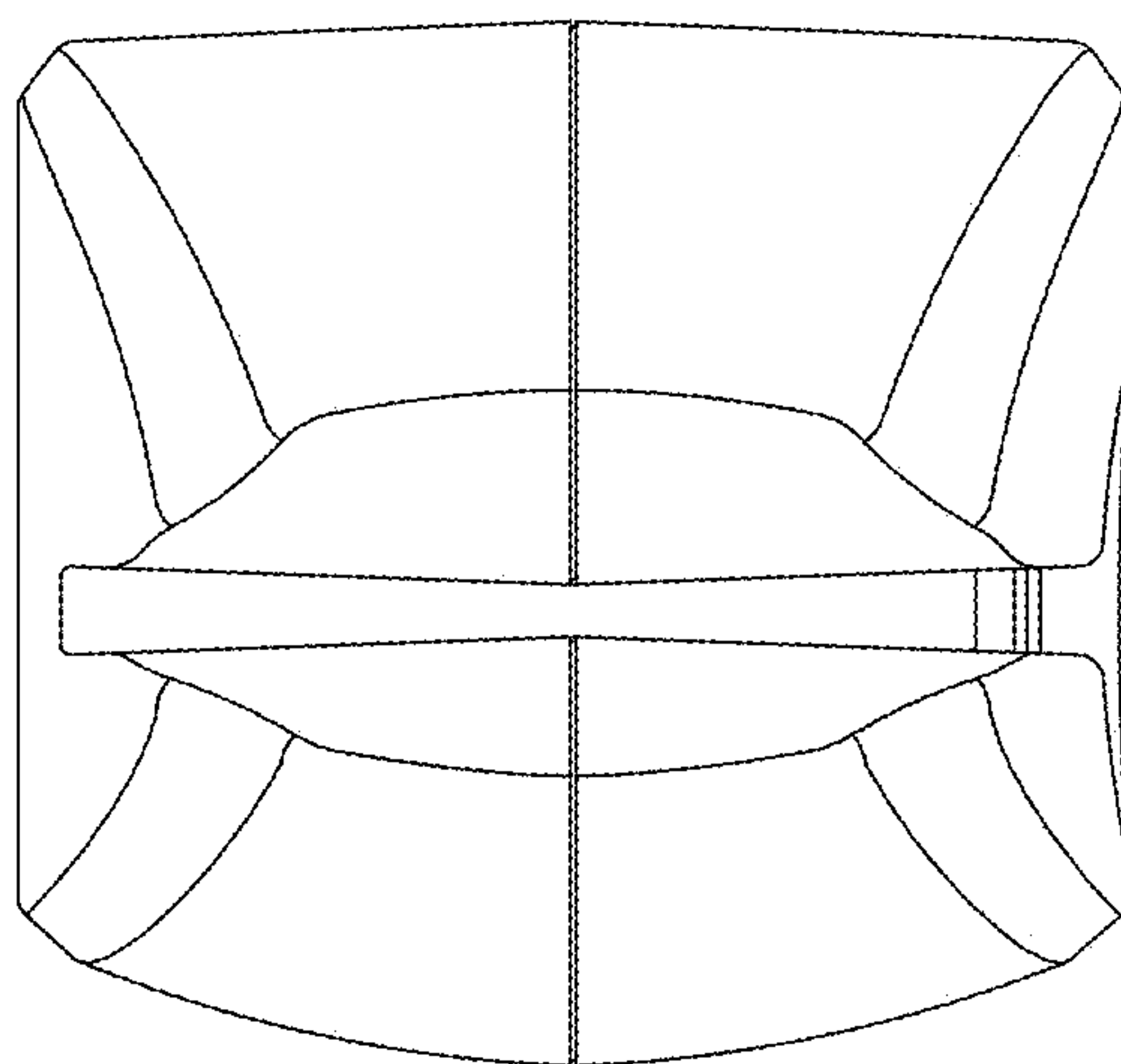


FIG. 5

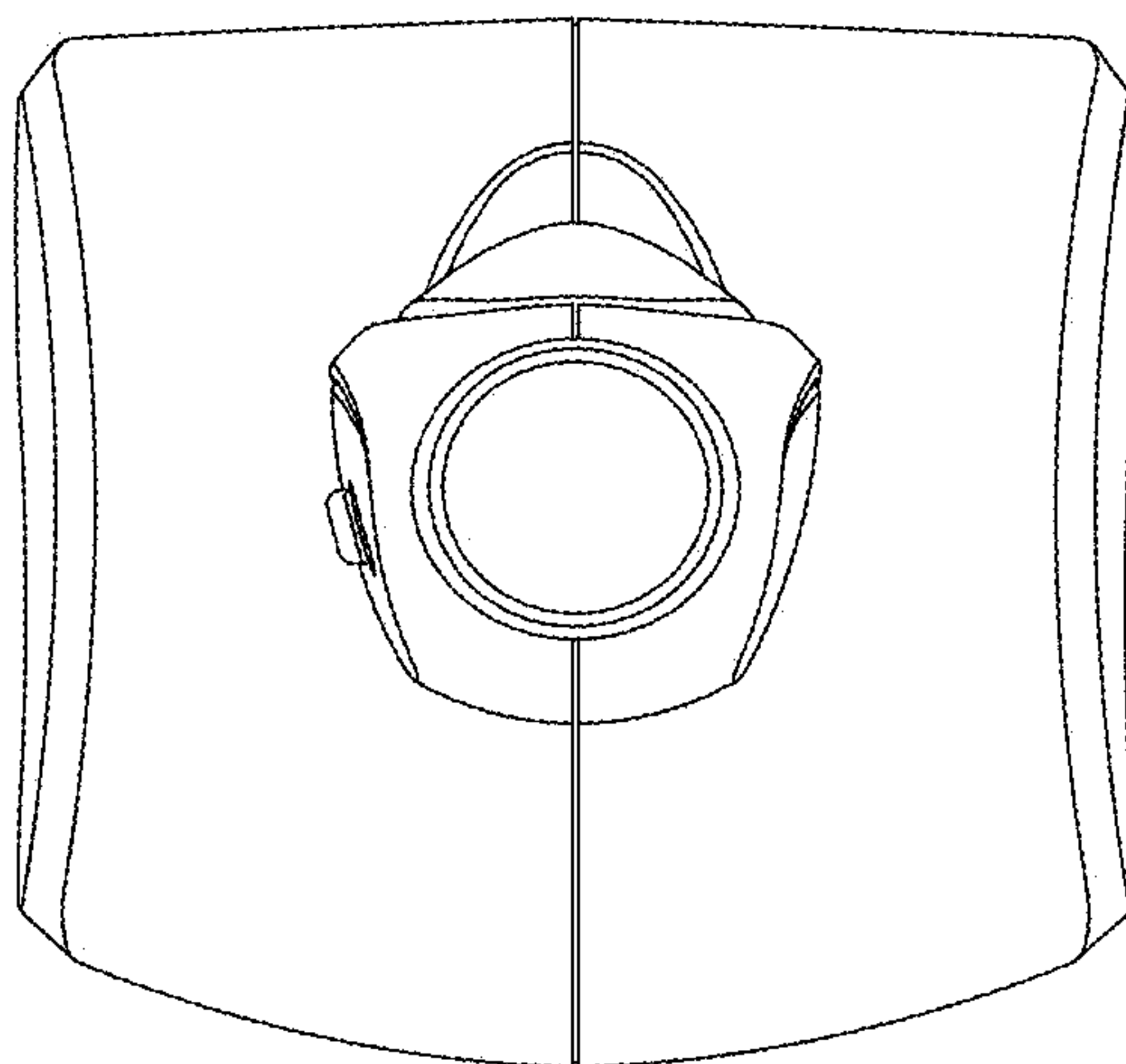


FIG. 6

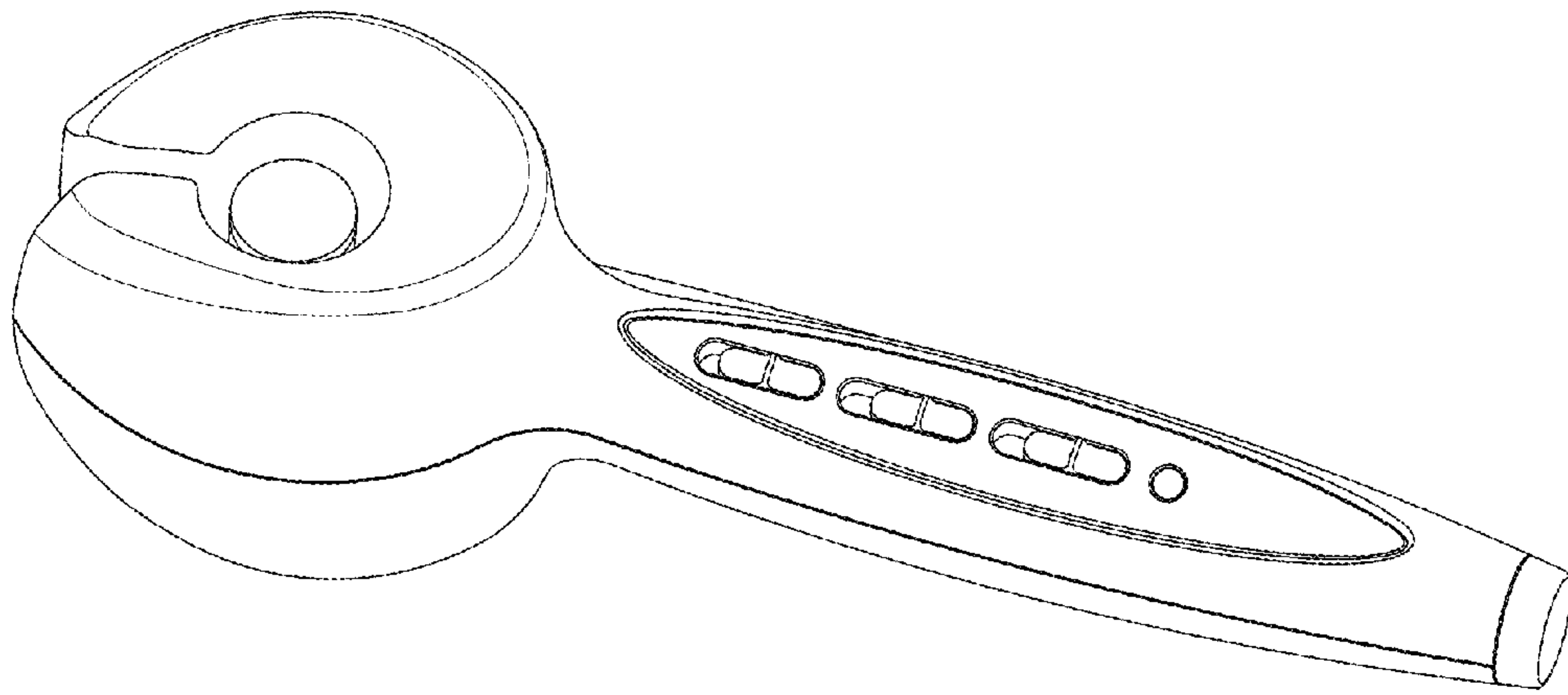


FIG. 7