



US00D754394S

(12) **United States Design Patent**
Byron

(10) **Patent No.:** **US D754,394 S**
(45) **Date of Patent:** **** Apr. 19, 2016**

(54) **SMOKE PIPE HOLDER**
(71) Applicant: **RXS Enterprises, LLC**, Denver, CO (US)
(72) Inventor: **Rex William Byron**, Denver, CO (US)
(73) Assignee: **RXS ENTERPRISES, LLC**, Denver, CO (US)

(**) Term: **14 Years**

(74) *Attorney, Agent, or Firm* — **Trenner Law Firm, LLC**; Mark D. Trenner

(21) Appl. No.: **29/490,907**
(22) Filed: **May 15, 2014**
(51) **LOC (10) Cl.** **27-06**
(52) **U.S. Cl.**
USPC **D27/181**
(58) **Field of Classification Search**
USPC D27/180–183, 185, 18, 139, 112, 125,
D27/128, 130, 102, 103, 108, 138, 142, 143,
D27/148, 172–174, 194, 196, 165;
D8/354–380, 349, 350; 131/185–187,
131/180, 231, 175, 178, 243
CPC A24F 9/14
See application file for complete search history.

(57) **CLAIM**
The ornamental design for a smoke pipe holder, substantially as shown in the attached drawings.

DESCRIPTION

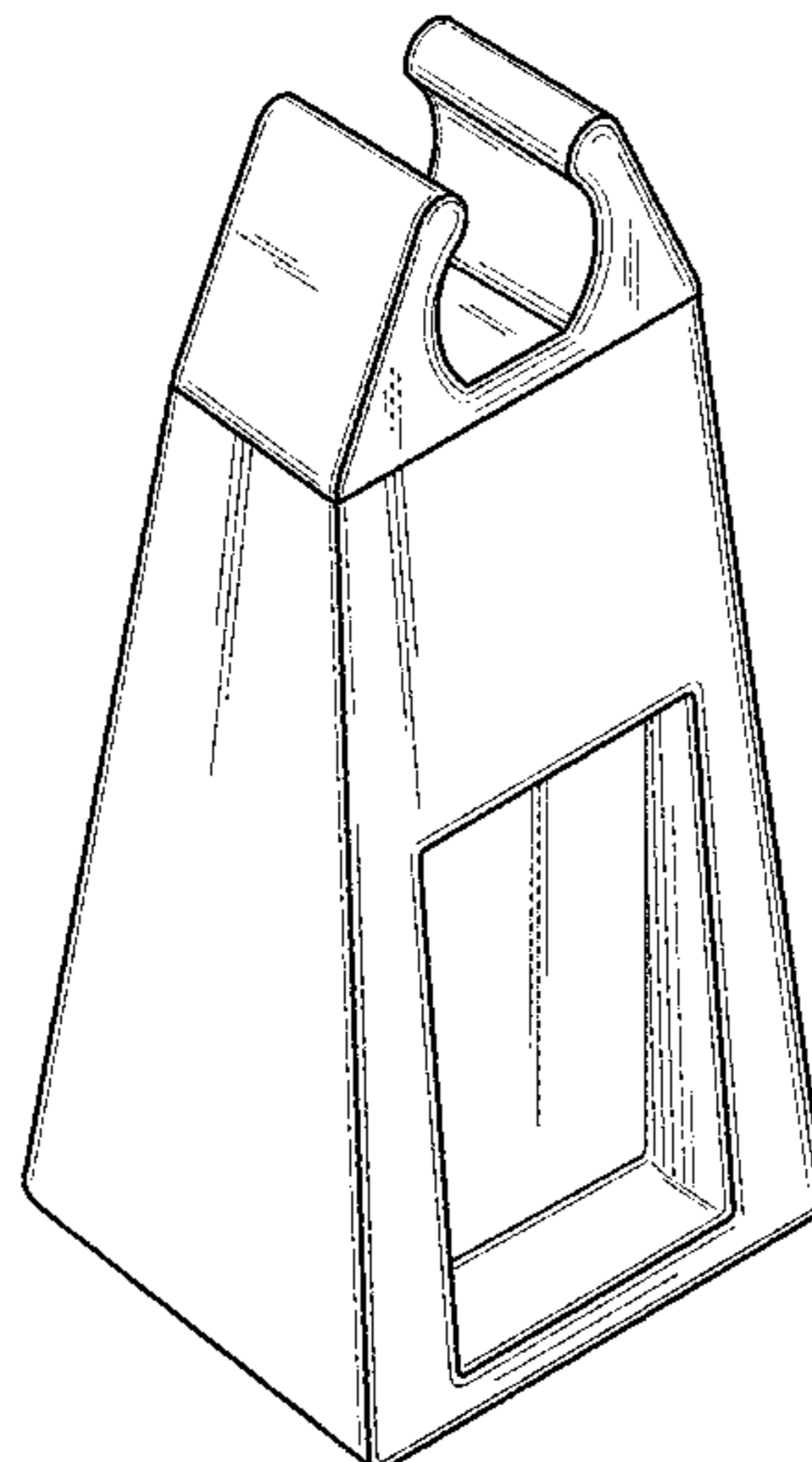
FIG. 1 is a front perspective view of the smoke pipe holder design having a pipe holder on top and a first side chamber formed as an ash tray;
FIG. 2 is a rear perspective view of the smoke pipe holder design showing the pipe holder on top and a second side chamber formed to hold a lighter;
FIG. 3 is a front view of the design corresponding to FIG. 1;
FIG. 4 is a right side view of the design corresponding to FIG. 1;
FIG. 5 is a back view of the design corresponding to FIG. 2;
FIG. 6 is a left side view of the design corresponding to FIG. 2;
FIG. 7 is a top view of the design corresponding to FIG. 1 and FIG. 2;
FIG. 8 is a bottom view of the design corresponding to FIG. 1 and FIG. 2;
FIG. 9 is a rear perspective view of the smoke pipe holder design corresponding to FIG. 2, as the smoke pipe holder design may be used to hold a smoke pipe on top and a lighter in the second side chamber; and,
FIG. 10 is a perspective view of the smoke pipe holder design corresponding to FIG. 1, as the smoke pipe holder design may be laid on its back and used as an ash tray to collect ash in the first side chamber; and Wherein the smoke pipe, lighter, and ash is shown in broken lines and do not form a part of the design.

(56) **References Cited**
U.S. PATENT DOCUMENTS
D248,541 S * 7/1978 Oberg D8/372
6,014,974 A * 1/2000 Possamai 131/185
D549,390 S * 8/2007 Tadych et al. D27/183
D586,953 S * 2/2009 Riggio D27/172
D658,329 S * 4/2012 Katz D27/125
D733,534 S * 7/2015 Altrichter D8/356

* cited by examiner

Primary Examiner — Susan Hattan
Assistant Examiner — Rebecca Tsehaye

1 Claim, 6 Drawing Sheets



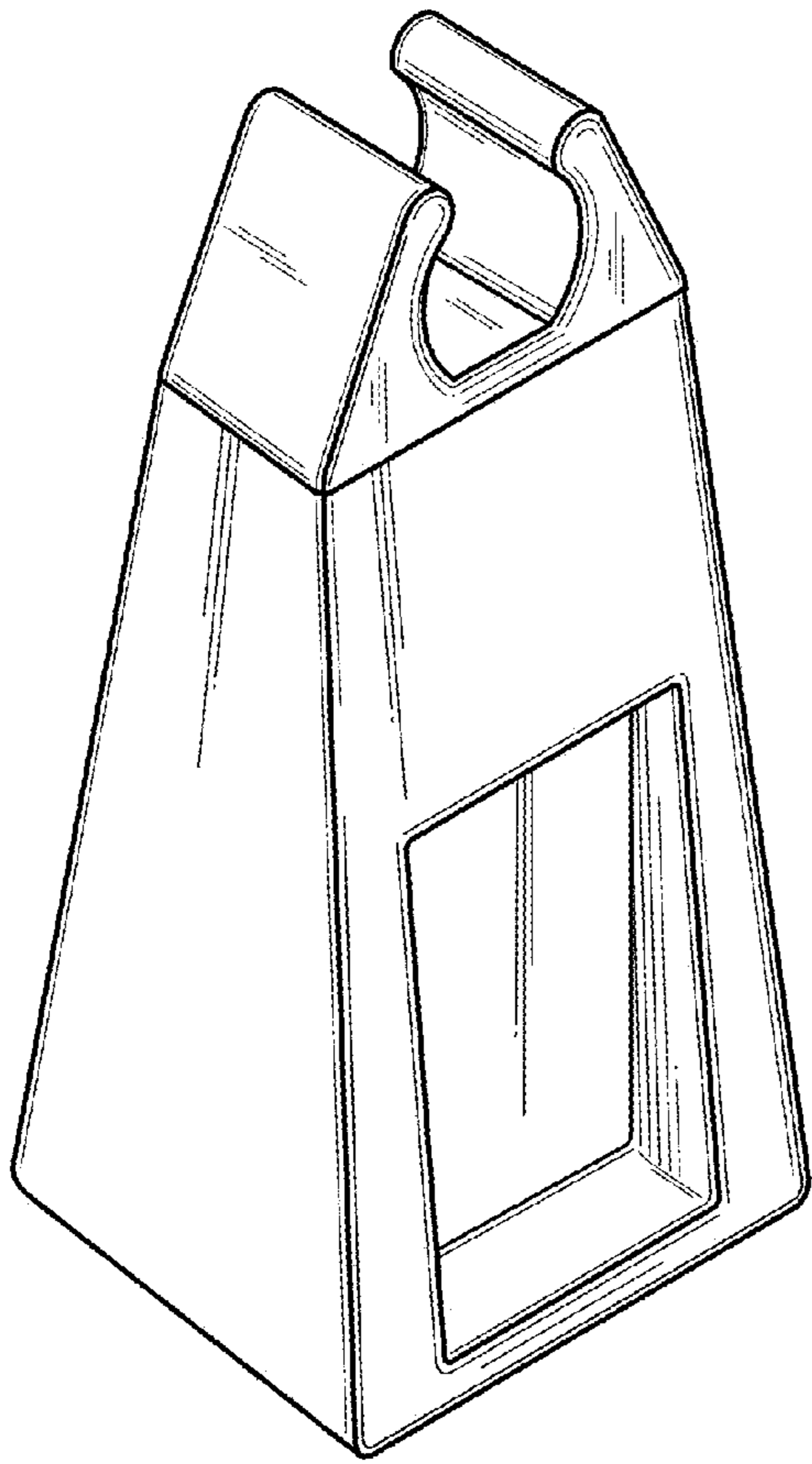


FIG. 1

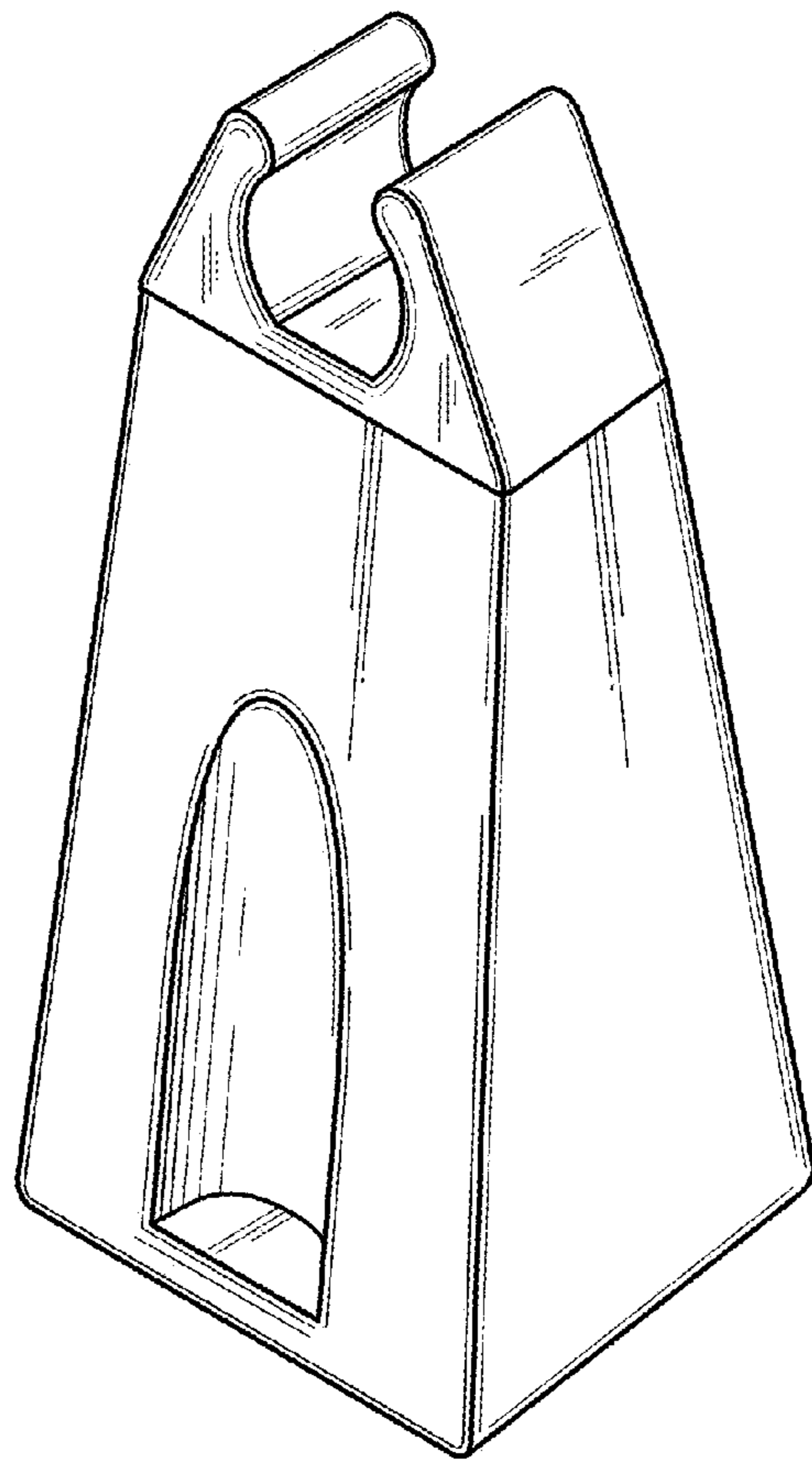


FIG. 2

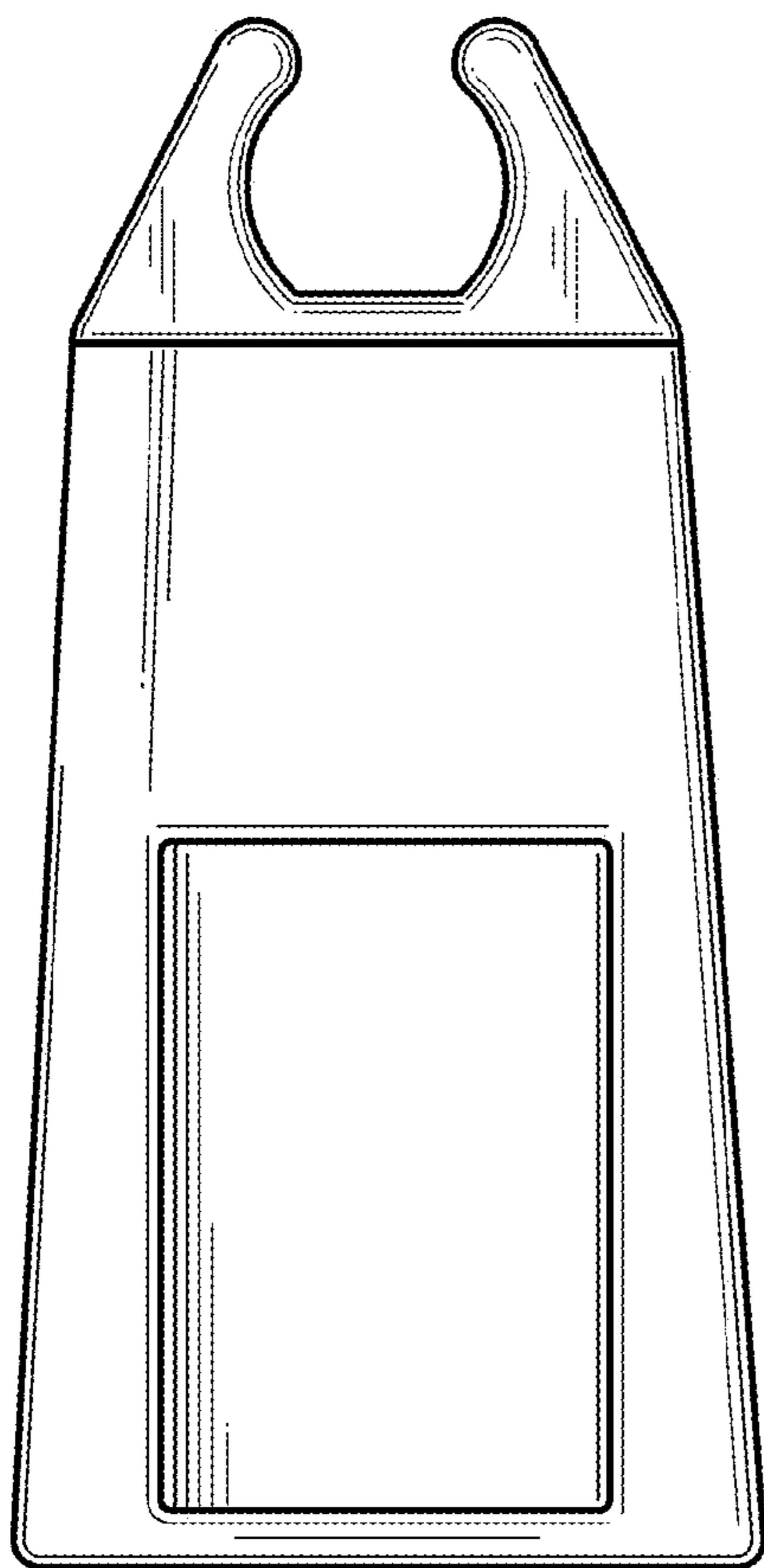


FIG. 3

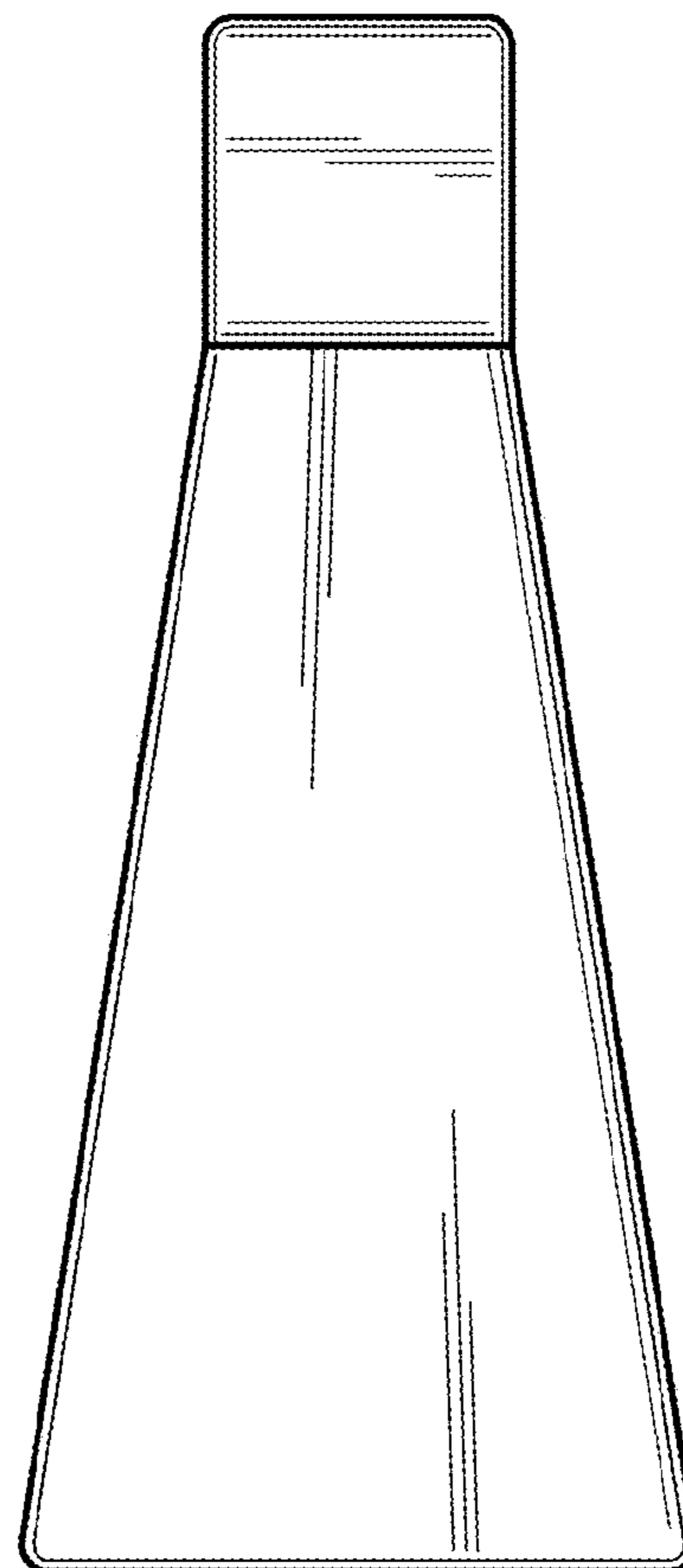


FIG. 4

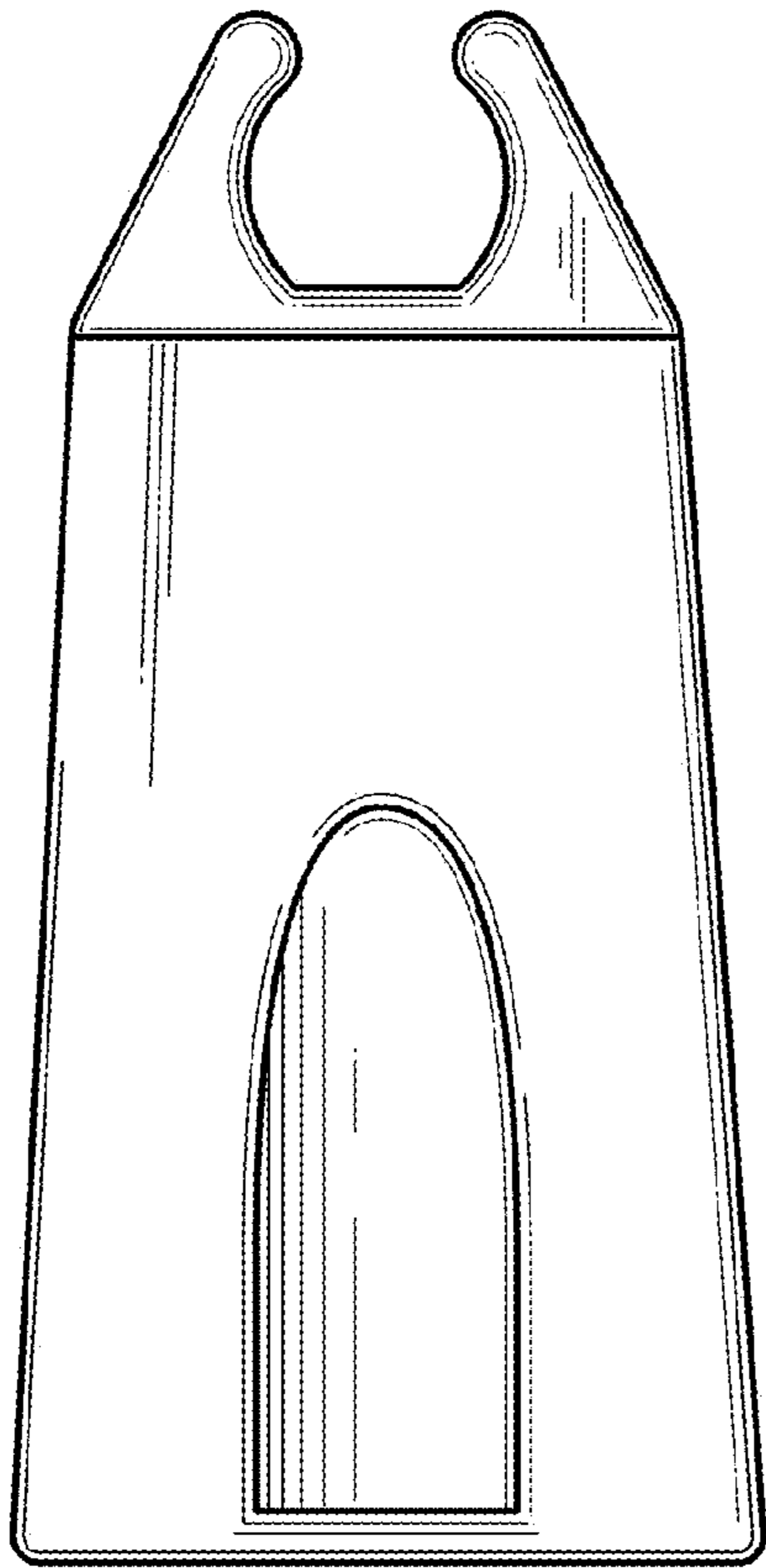


FIG. 5

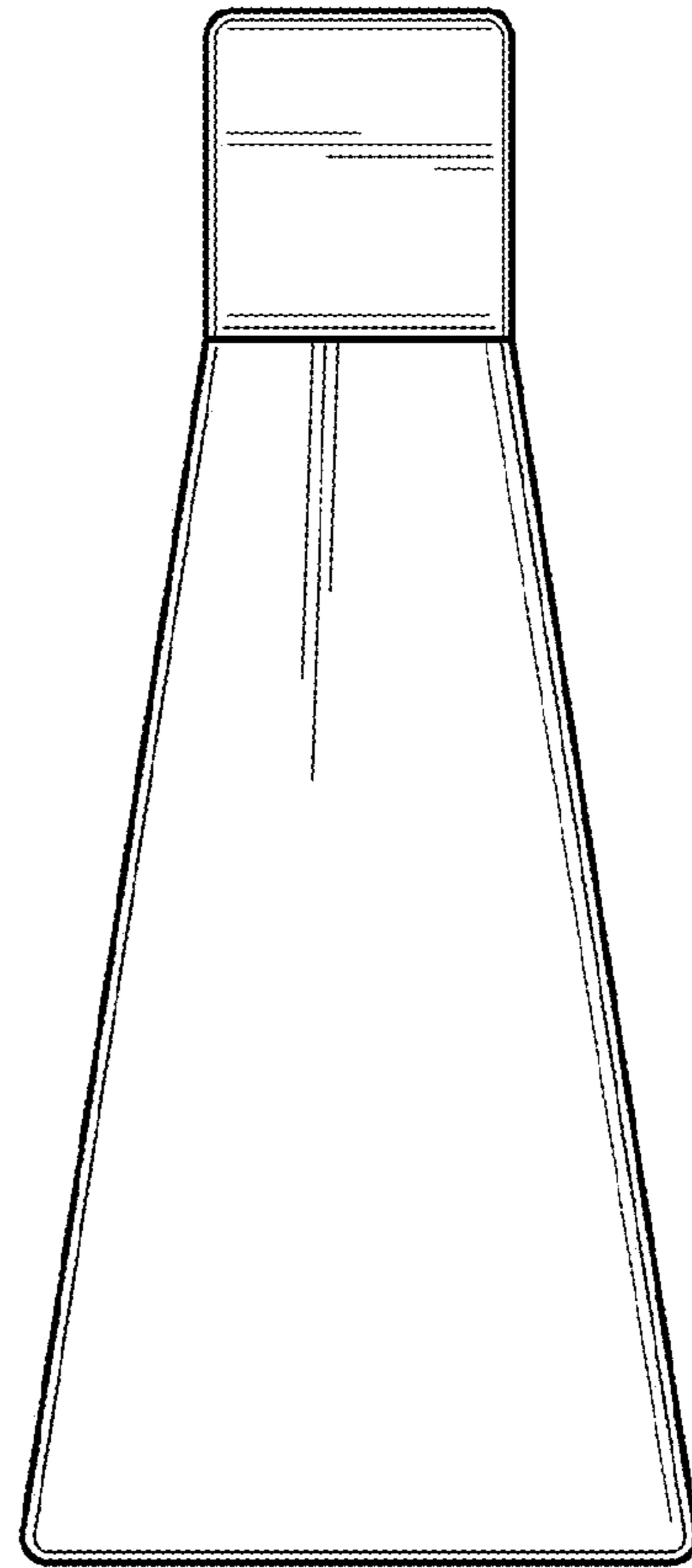


FIG. 6

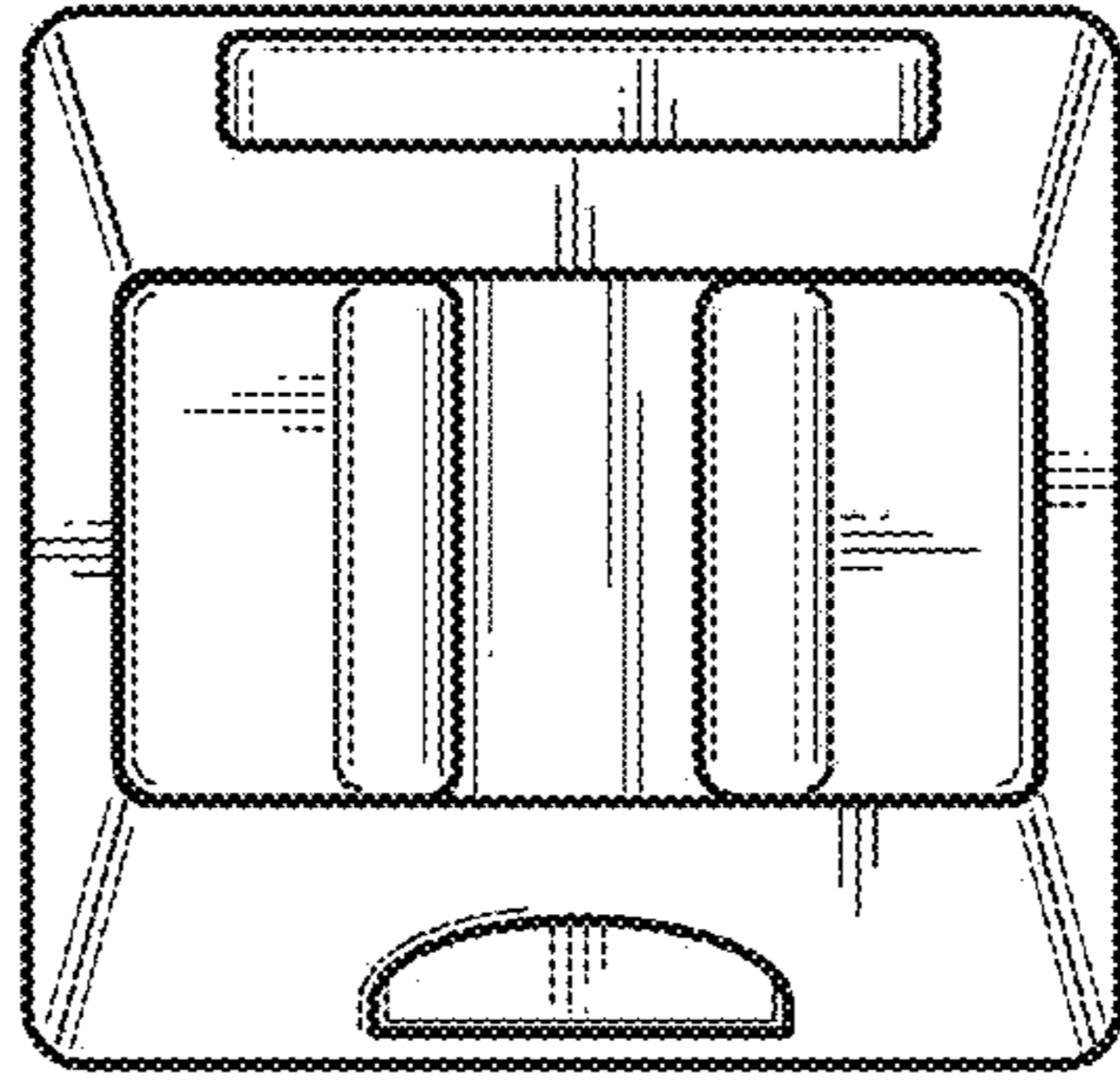


FIG. 7

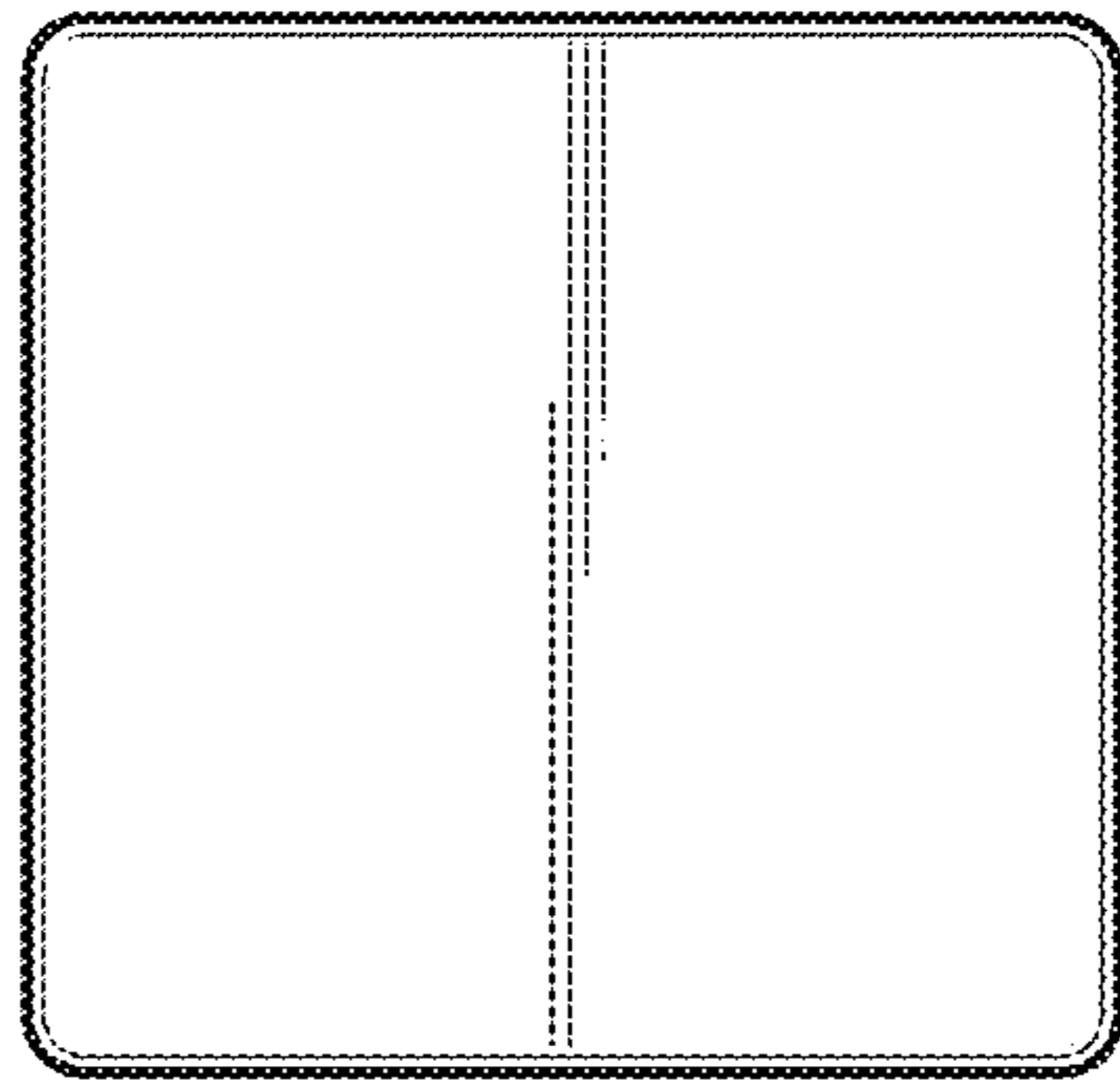


FIG. 8

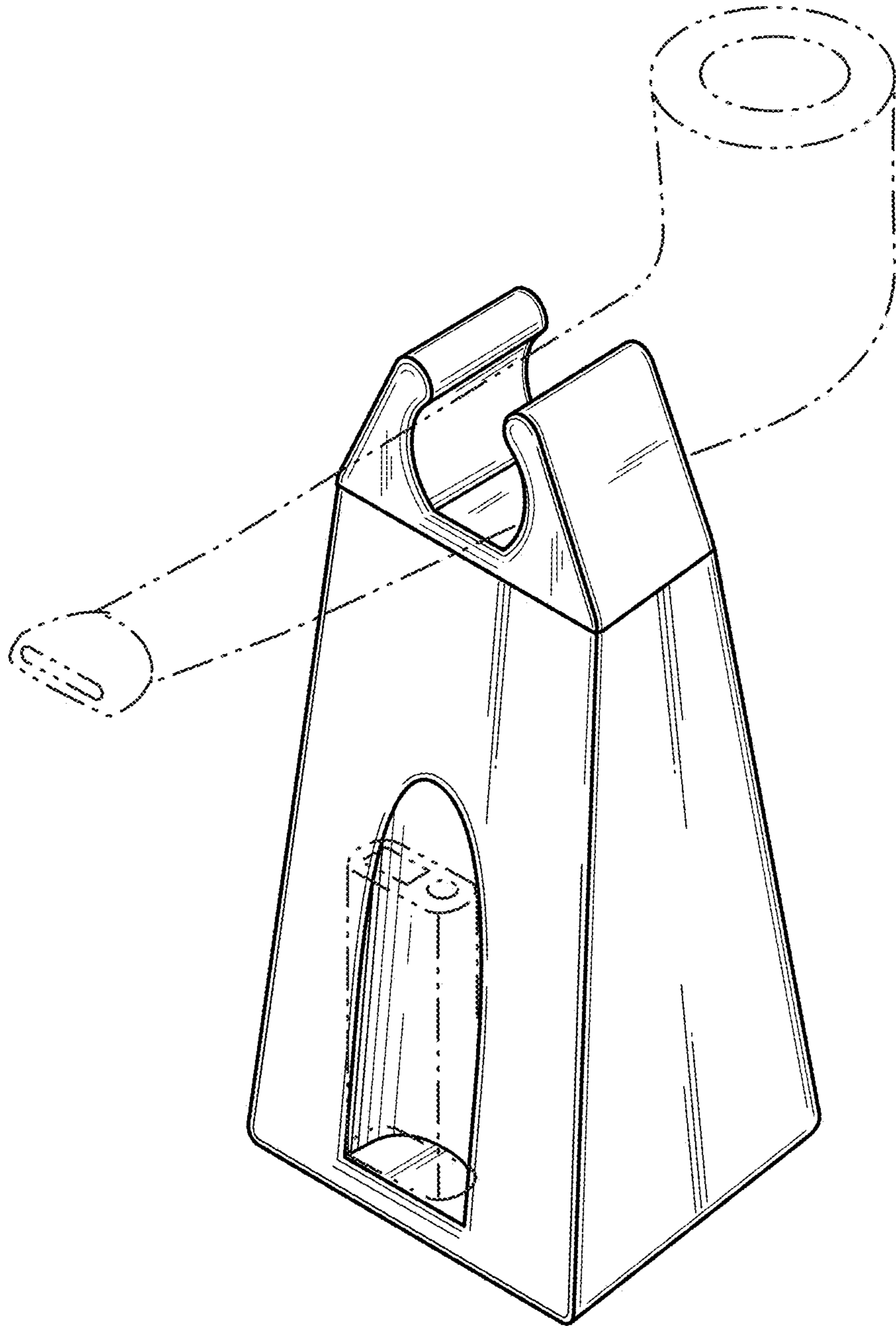


FIG. 9

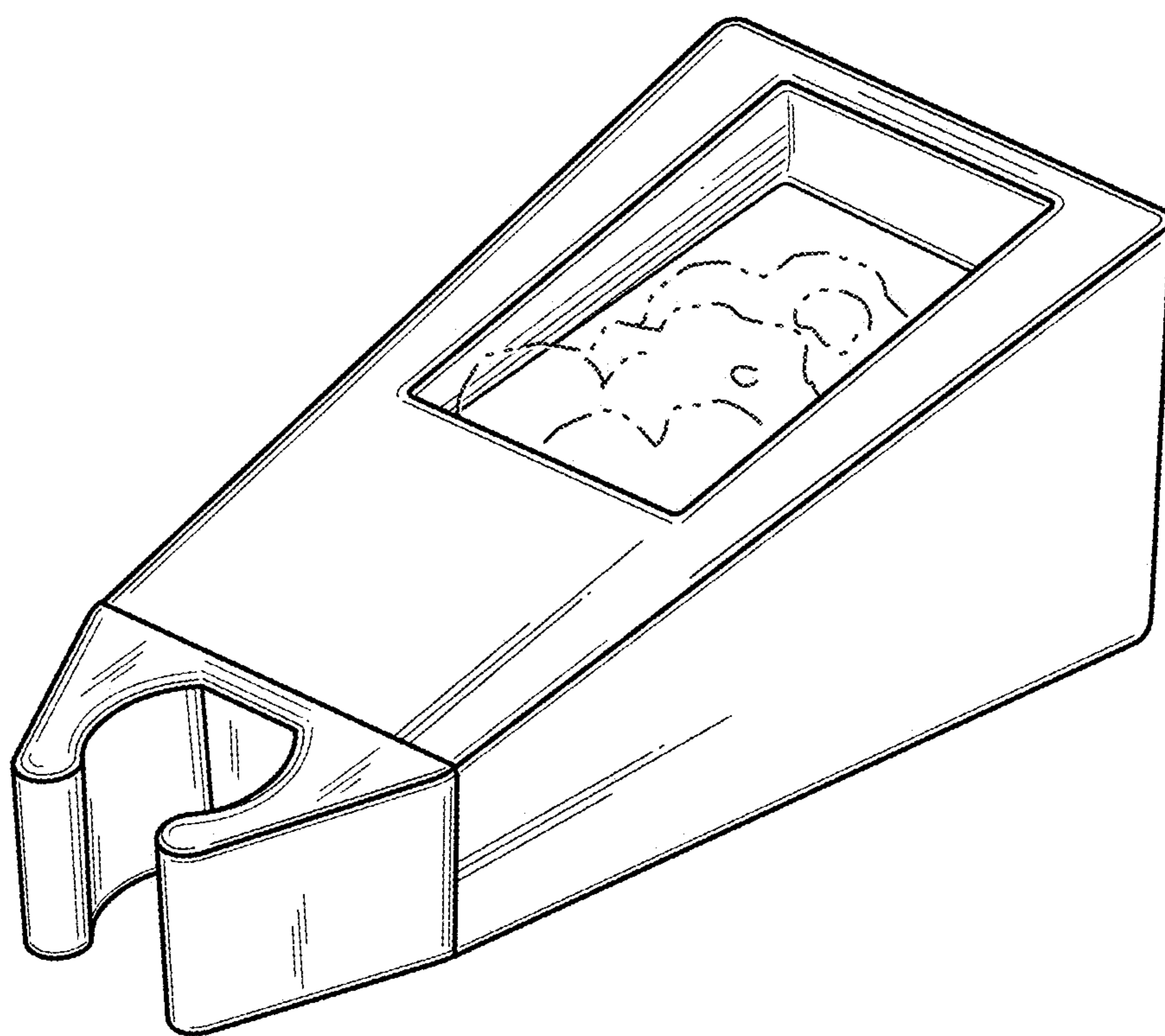


FIG. 10