

US00D754386S

(12) **United States Design Patent**  
**Motta**

(10) **Patent No.:** **US D754,386 S**  
(45) **Date of Patent:** **\*\* Apr. 19, 2016**

- (54) **LAMP**
- (71) Applicant: **Maurizio Motta**, Verona (IT)
- (72) Inventor: **Maurizio Motta**, Verona (IT)
- (\*\*) Term: **14 Years**
- (21) Appl. No.: **29/474,671**
- (22) Filed: **Dec. 22, 2014**
- (51) **LOC (10) Cl.** ..... **26-03**
- (52) **U.S. Cl.**  
USPC ..... **D26/94**
- (58) **Field of Classification Search**  
USPC ..... D26/1, 24, 4, 32, 37, 47, 57, 93, 94,  
D26/106, 110; D9/679, 772  
CPC ..... F21S 6/00; F21S 6/002; F21V 1/00;  
F21V 3/00; F21V 21/02; F21W 2121/00;  
F21W 2131/30; B65D 17/165  
See application file for complete search history.

5,647,499 A *	7/1997	Piazza .....	B65D 17/165 220/269
D393,730 S *	4/1998	Petruzzi .....	D9/772
D431,469 S *	10/2000	Solland .....	D9/772
D570,228 S *	6/2008	van Dam .....	D9/772
D623,963 S *	9/2010	Fairchild, Jr. ....	D9/772
D632,589 S *	2/2011	George .....	D9/772
D641,644 S *	7/2011	George .....	D9/772
D706,032 S *	6/2014	Roth .....	D9/772
D713,268 S *	9/2014	Jones .....	D9/772

\* cited by examiner

*Primary Examiner* — Brian N Vinson  
(74) *Attorney, Agent, or Firm* — Modiano & Associati;  
Daniel J. O’Byrne

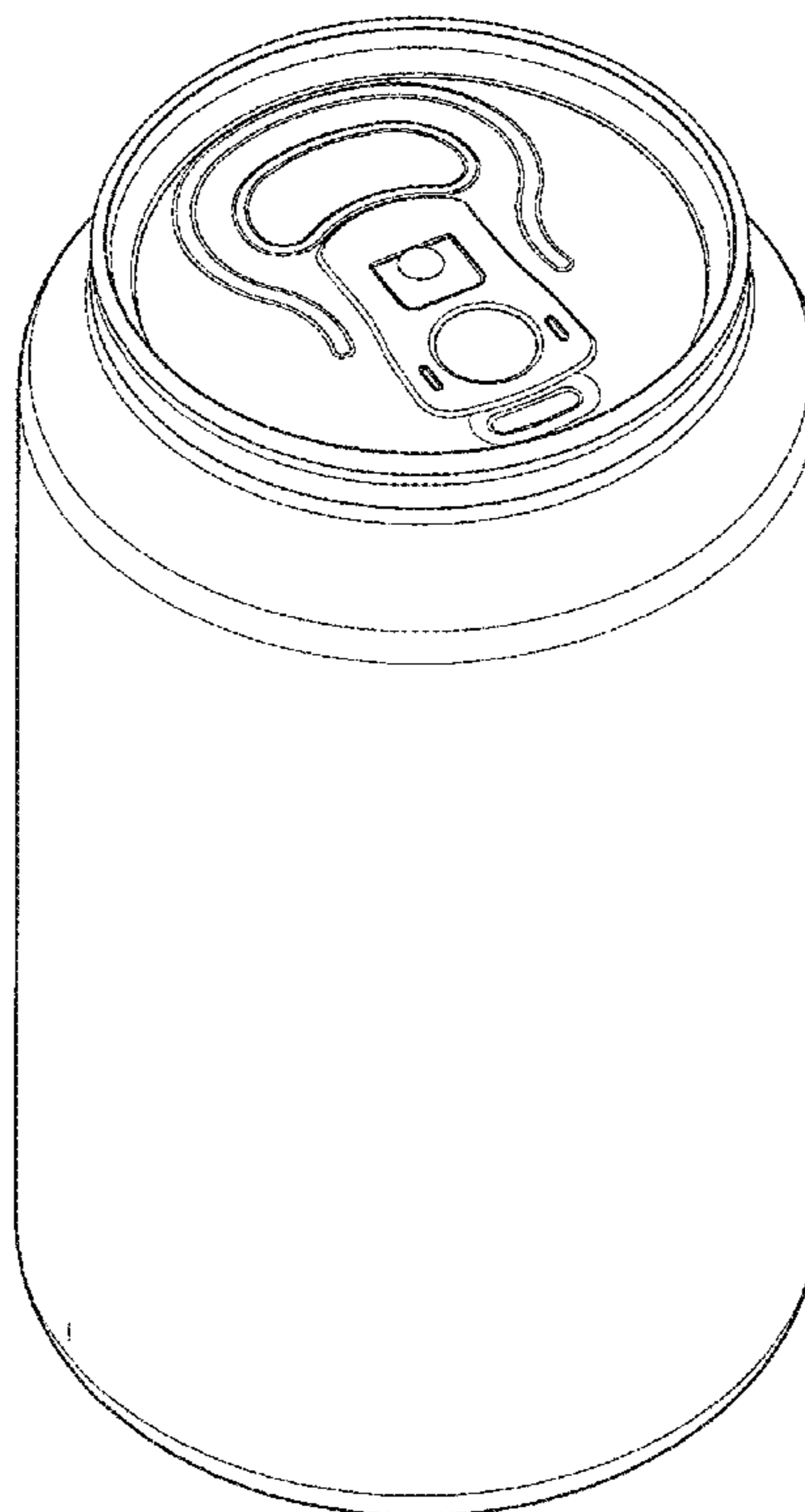
(57) **CLAIM**  
The ornamental design for a lamp, as shown.

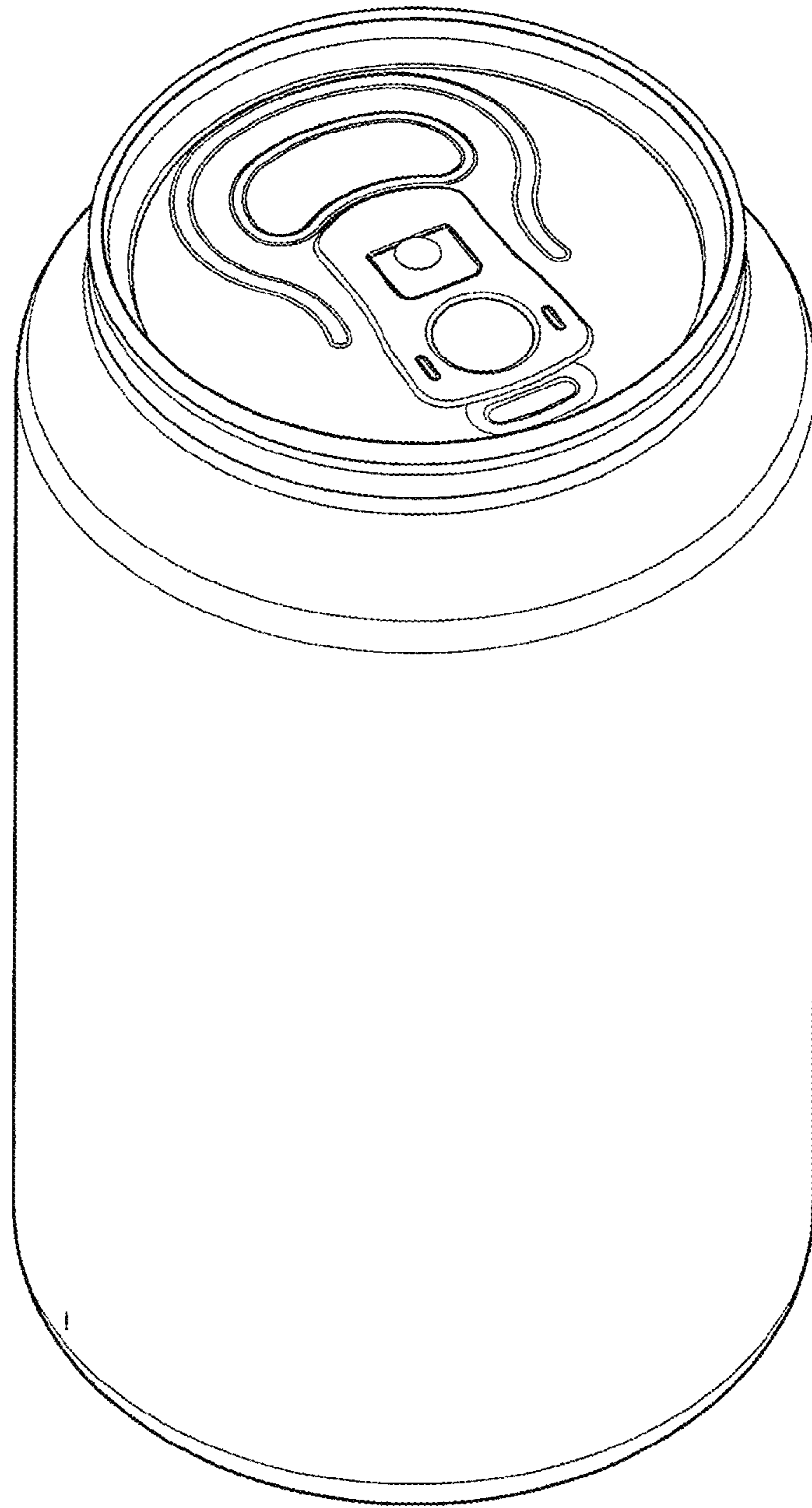
**DESCRIPTION**

FIG. 1 is a perspective view of the lamp showing my new design;  
FIG. 2 is a front view thereof;  
FIG. 3 is a rear view thereof;  
FIG. 4 is a left side view thereof;  
FIG. 5 is a right side view thereof;  
FIG. 6 is a top view thereof; and,  
FIG. 7 is a bottom view thereof.

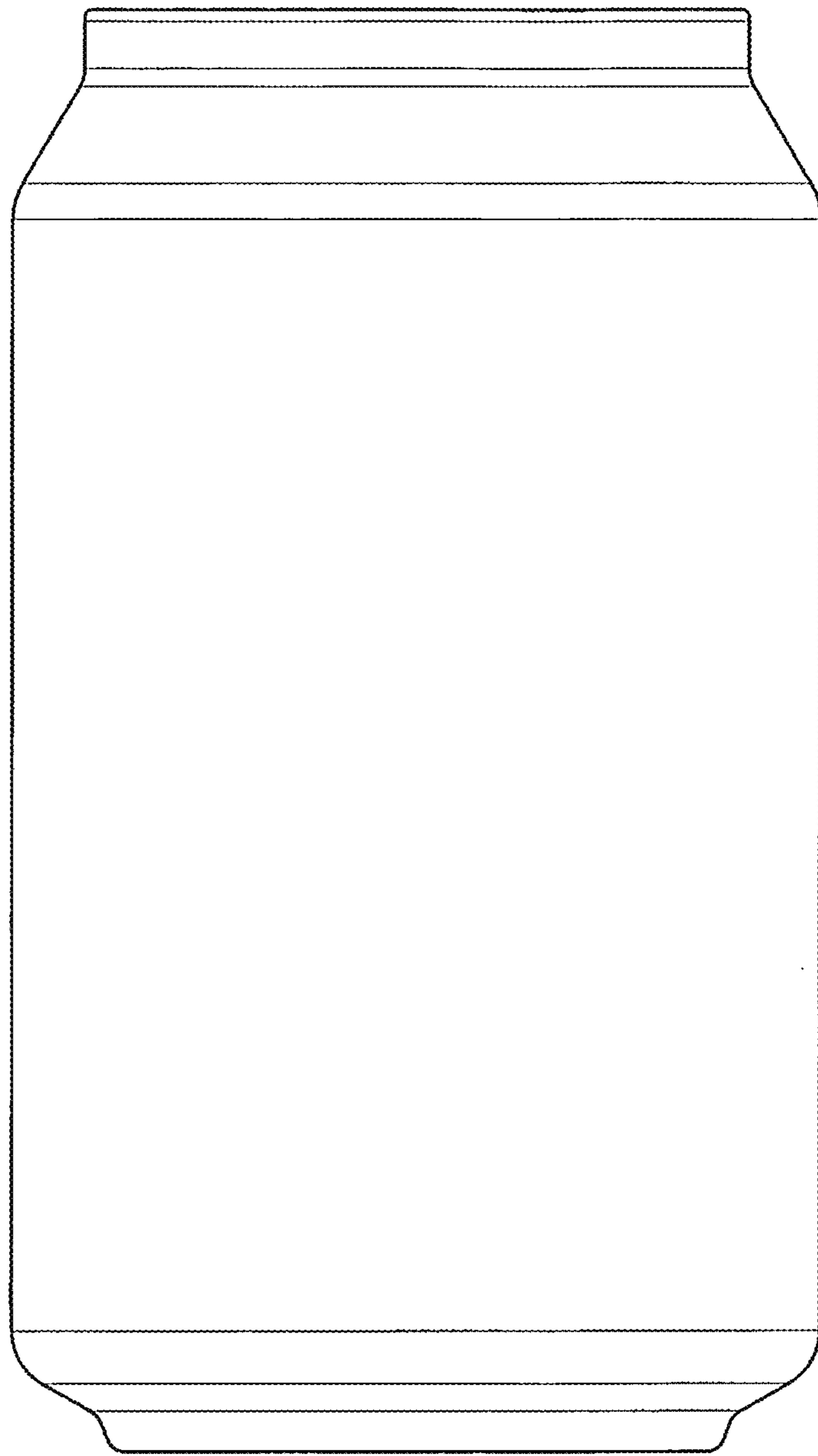
**1 Claim, 6 Drawing Sheets**

- (56) **References Cited**  
U.S. PATENT DOCUMENTS  
D261,686 S \* 11/1981 Kvasnicka ..... D26/93  
D329,593 S \* 9/1992 Otsuka ..... D9/772  
D349,432 S \* 8/1994 Kibbe ..... D7/679  
D371,075 S \* 6/1996 Stonehouse ..... D9/772

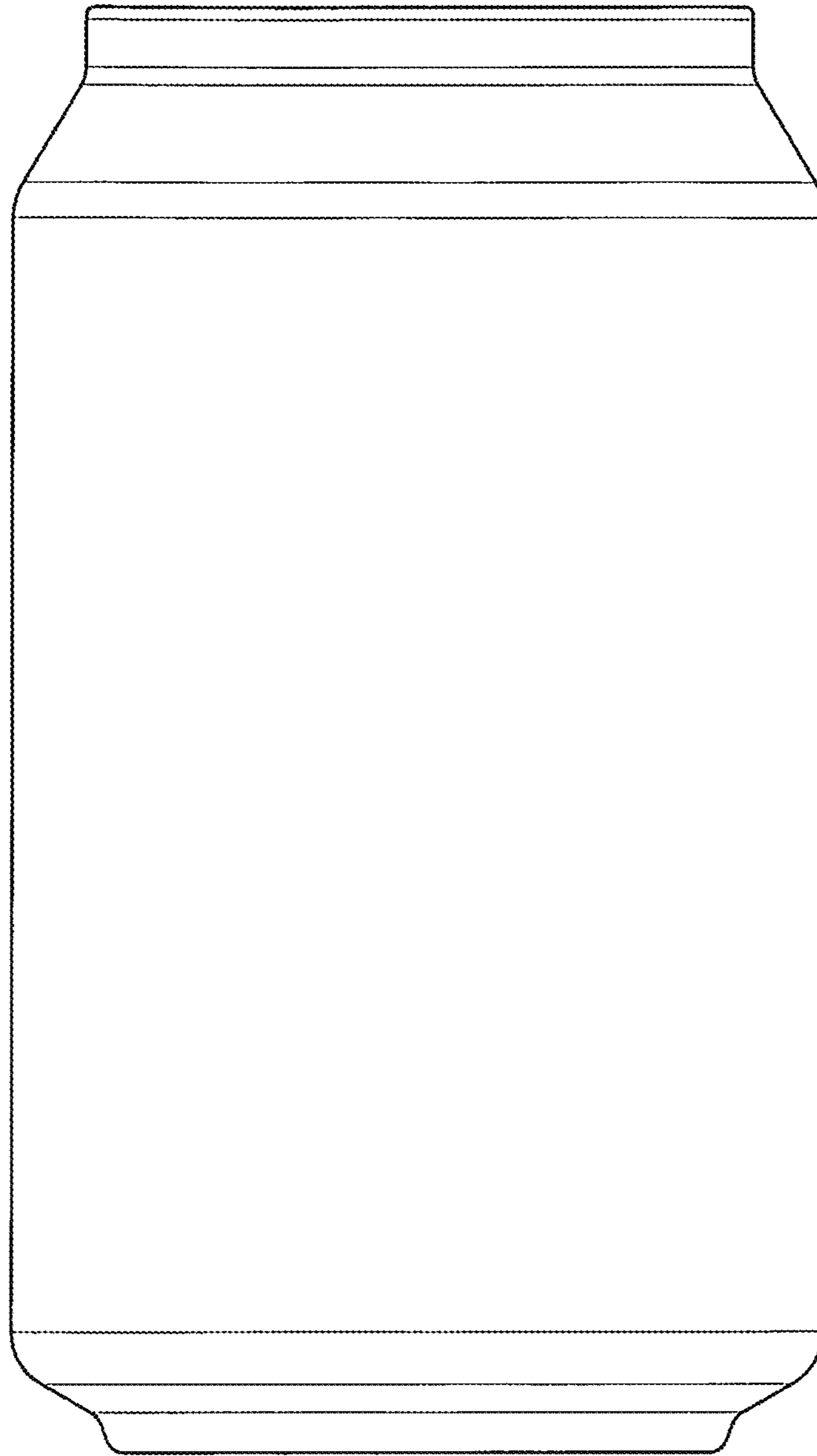




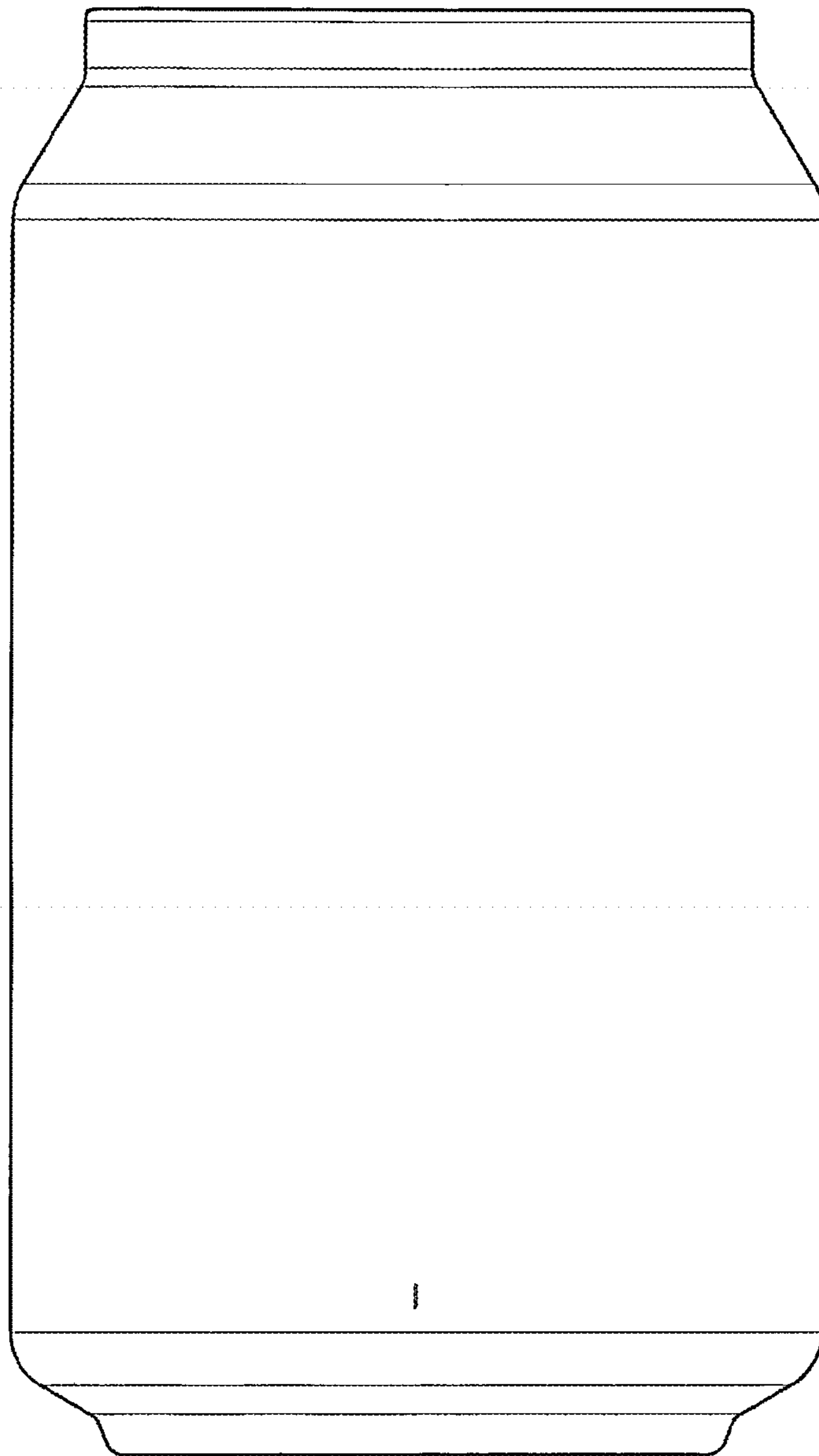
*Fig. 1*



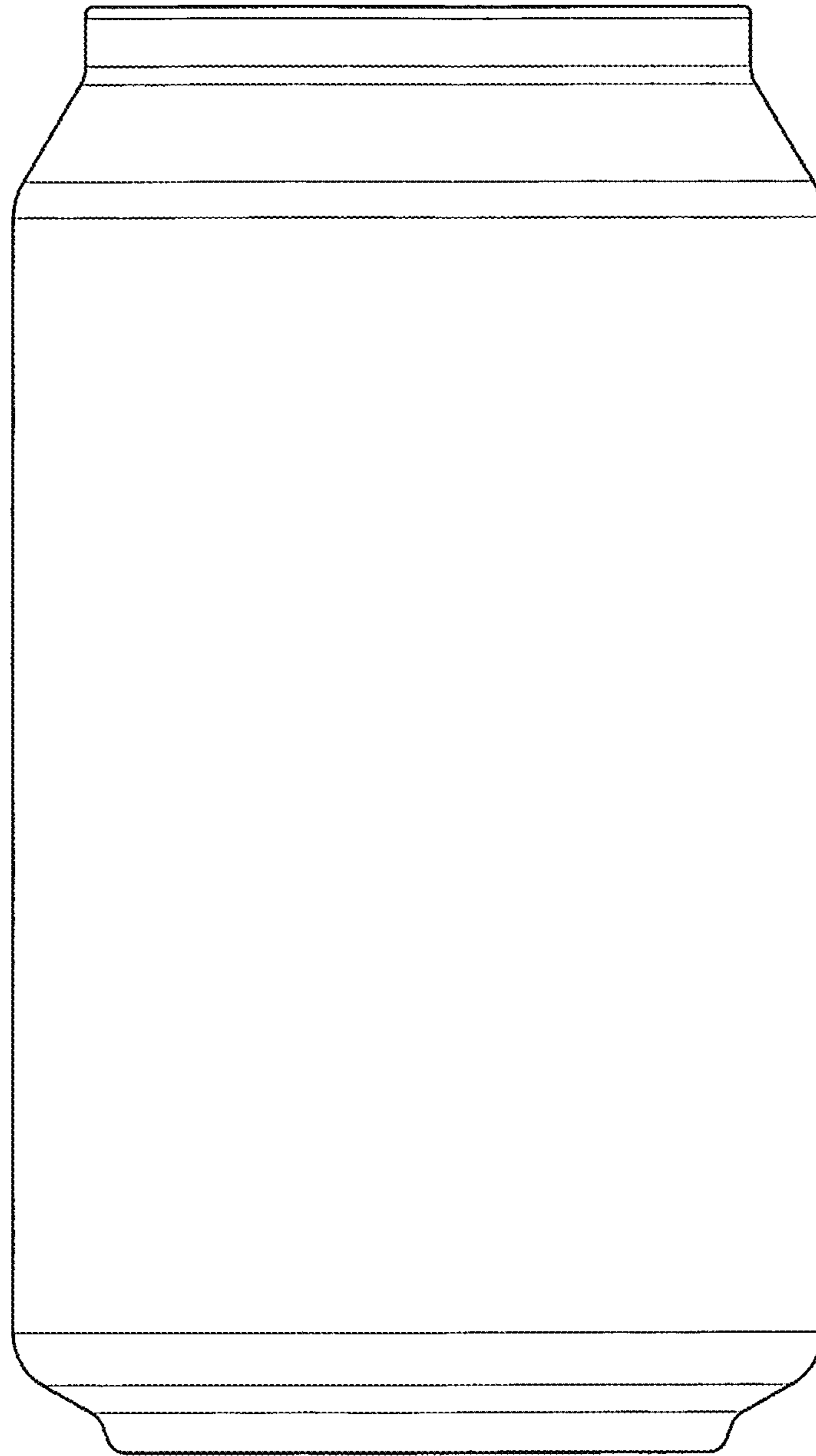
*Fig. 2*



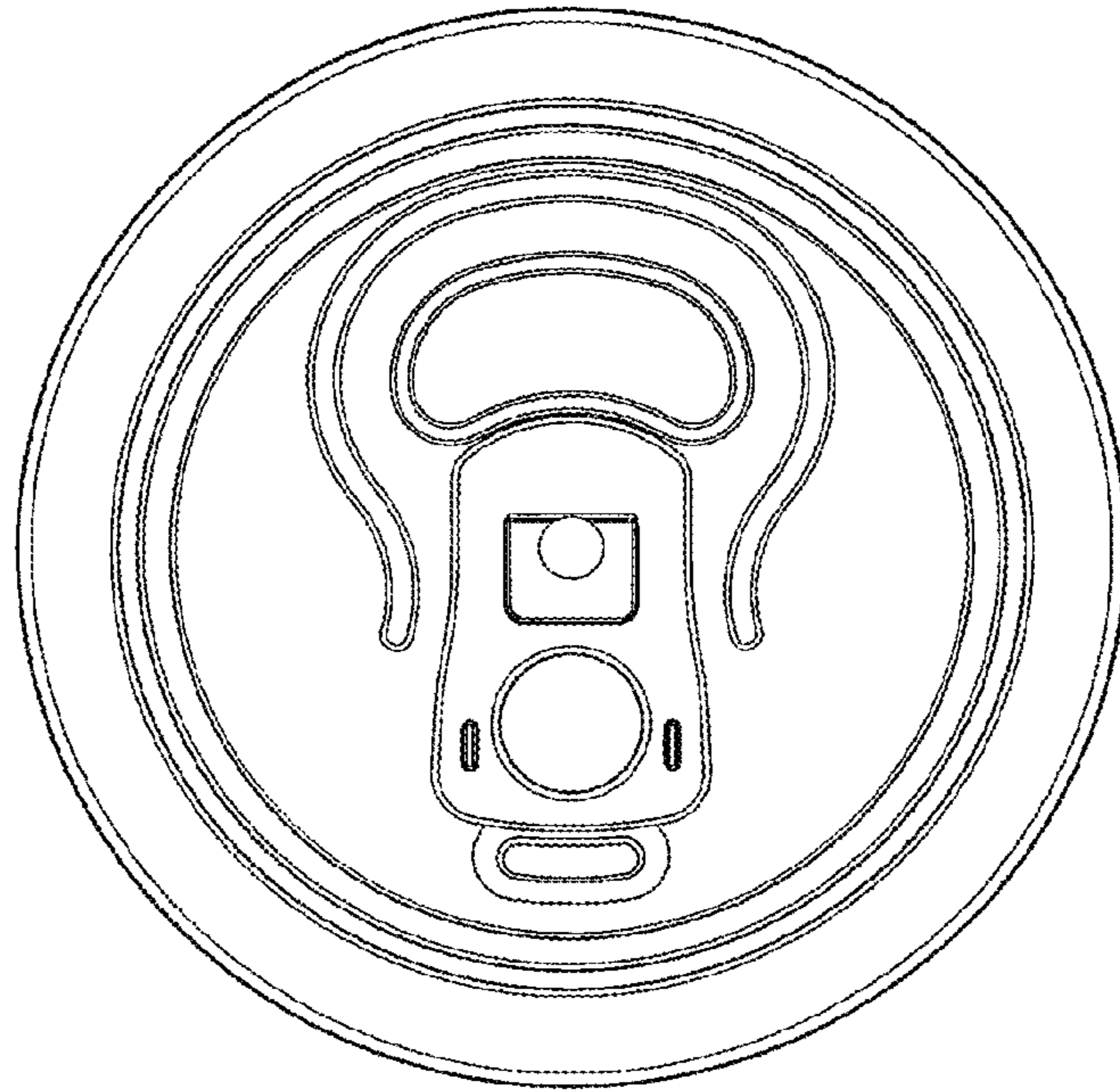
*Fig. 3*



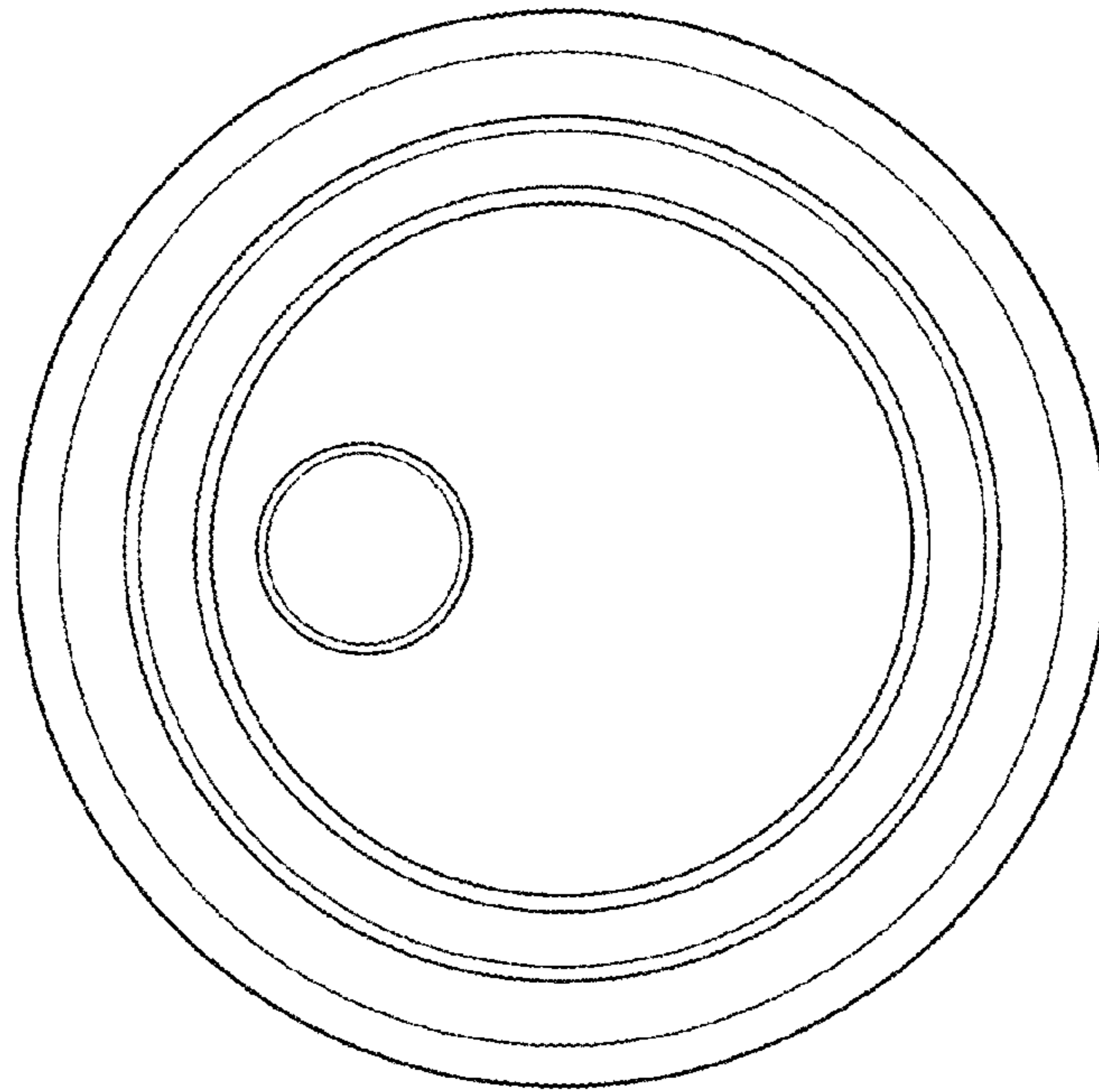
*Fig. 4*



*Fig. 5*



*Fig. 6*



*Fig. 7*