



US00D754385S

(12) **United States Design Patent**  
**Hunt, III et al.**

(10) **Patent No.:** **US D754,385 S**  
(45) **Date of Patent:** **\*\* Apr. 19, 2016**

- (54) **LED AREA LIGHT FIXTURE**
- (71) Applicant: **Atlas Lighting Products, Inc.**,  
Burlington, NC (US)
- (72) Inventors: **R. Samuel Hunt, III**, Burlington, NC  
(US); **James H. Bennett**, Greensboro,  
NC (US); **Scott T. Ellingson**, Graham,  
NC (US); **Cheng S. Chang**, Elon, NC  
(US)
- (73) Assignee: **Atlas Lighting Products, Inc.**,  
Burlington, NC (US)
- (\*\*) Term: **14 Years**
- (21) Appl. No.: **29/521,442**
- (22) Filed: **Mar. 24, 2015**
- (51) **LOC (10) Cl.** ..... **26-03**
- (52) **U.S. Cl.**  
USPC ..... **D26/92**
- (58) **Field of Classification Search**  
USPC ..... D26/67-72, 92  
CPC ..... F21S 8/033; F21S 8/036; F21S 8/085;  
F21S 8/086; F21S 8/088; F21S 9/03; F21S  
9/032; F21S 9/035; F21S 9/037; F21W  
2131/103; F21W 2131/107  
See application file for complete search history.

- D634,875 S 3/2011 Jiang et al.
- D641,908 S \* 7/2011 McKee ..... D26/71
- D643,958 S 8/2011 Lin et al.
- 8,070,306 B2 12/2011 Ruud et al.
- D652,557 S \* 1/2012 Boissevain ..... D26/71
- D652,978 S \* 1/2012 Boissevain ..... D26/71

(Continued)

**OTHER PUBLICATIONS**

Cooper Lighting, Area/Site Lighting, [http://www.cooperindustries.com/content/public/en/lighting/products/area\\_site\\_lighting.html](http://www.cooperindustries.com/content/public/en/lighting/products/area_site_lighting.html), Jan. 29, 2015, 15 pgs.

(Continued)

*Primary Examiner* — Clare E Heflin

(74) *Attorney, Agent, or Firm* — Womble Carlyle Sandridge & Rice, LLP

(57) **CLAIM**

The ornamental design for an LED area light fixture, as shown and described.

**DESCRIPTION**

FIG. 1 is a bottom front perspective view of our new design; FIG. 2 is a top rear perspective view thereof; FIG. 3 is a bottom view thereof; FIG. 4 is a front view thereof; FIG. 5 is a right side profile view thereof, the left side profile being a mirror image thereof; FIG. 6 is a top view thereof; FIG. 7 is a rear view thereof; and, FIG. 8 is a second bottom front perspective showing additional environmental elements.

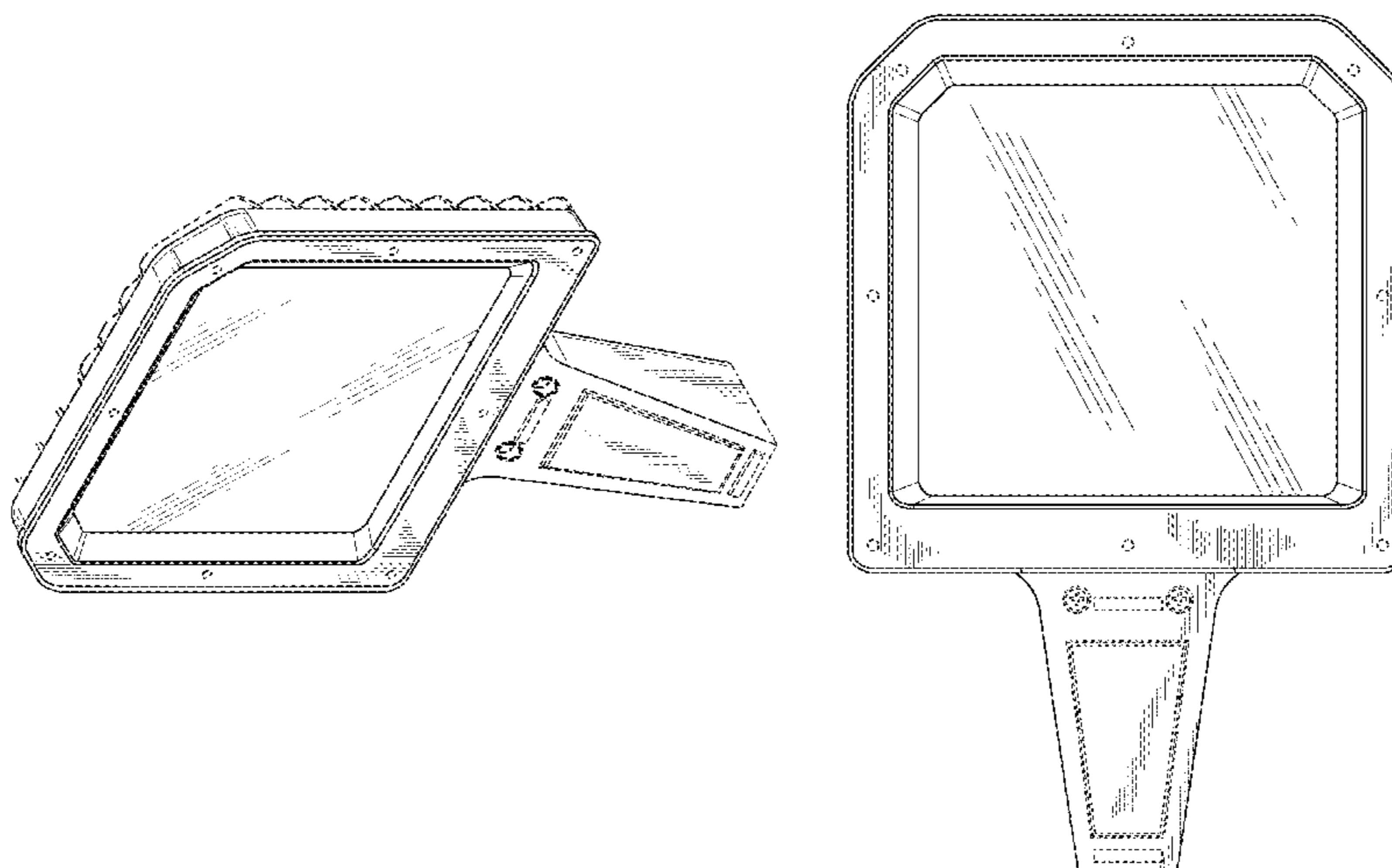
The views of the LED area light fixture not shown form no part of the claimed design. The dash-dot lines in FIGS. 1-8 immediately adjacent to the shaded area represent unclaimed boundaries of the design. The dash-dash lines elsewhere in FIGS. 1-8 refer to environmental elements only and form no part of the claimed design.

**1 Claim, 8 Drawing Sheets**

(56) **References Cited**

**U.S. PATENT DOCUMENTS**

- 3,986,019 A 10/1976 deVos et al.
- D531,342 S \* 10/2006 Kauffman ..... D26/68
- D556,935 S \* 12/2007 Quioque ..... D26/71
- D609,384 S \* 2/2010 Gray ..... D26/71
- D614,336 S 4/2010 Zheng et al.
- D615,690 S 5/2010 Zheng et al.
- 7,758,211 B2 7/2010 Zheng et al.
- 7,794,116 B2 9/2010 Shuai et al.
- 7,841,755 B1 11/2010 Walker
- D632,007 S 2/2011 Kim et al.



(56)

**References Cited**

U.S. PATENT DOCUMENTS

D662,244	S	6/2012	Chen et al.	
D668,370	S	10/2012	Guercio et al.	
8,342,709	B2	1/2013	Lueken et al.	
D676,177	S *	2/2013	Akinrele .....	D26/71
D695,437	S *	12/2013	Johnson .....	D26/71
8,708,526	B2	4/2014	Wu	
8,783,917	B2	7/2014	Mrakovich	
D713,583	S	9/2014	Yu	
8,851,711	B2 *	10/2014	Ladewig .....	F21S 2/00 362/249.02
D717,989	S *	11/2014	Heim .....	D26/71
D721,844	S *	1/2015	Lay .....	D26/71
D726,947	S *	4/2015	Boyer .....	D26/71
D736,983	S *	8/2015	Dal Ponte .....	D26/71
2011/0187270	A1	8/2011	Summerford et al.	
2014/0153242	A1	6/2014	Ruud et al.	
2014/0218941	A1	8/2014	Wilcox et al.	

OTHER PUBLICATIONS

Cree Lighting Outdoor Products, <http://www.cree.com/Lighting/Products/Outdoor>, Jan. 29, 2015, 3 pgs.

Cree OSQ Series LED Flood Luminaire, <http://www.cree.com/Lighting/Products/Outdoor/Flood/OSQ-Series>, known at least early as Mar. 24, 2015, 1 pg.

GE Evolve LED Scalable Area Light Fixtures, <http://www.gelighting.com/LightingWeb/na/solutions/outdoor-lighting/area-and-site/> . . . , Jan. 29, 2015, 2 pgs.

GE Lighting, Area Lighting, Outdoor Lighting, <http://www.gelighting.com/LightingWeb/na/solutions/outdoor-lighting/area-and-site/>, Jan. 29, 2015, 3 pgs.

GE Lighting, Evolve LED Area Light N Series (EANA) brochure, Feb. 6, 2015, 8 pgs.

Lithonia Lighting, Outdoor Area Lighting, <http://www.lithonia.com/pt/outdoor/c/area+lighting/>, known at least as early as Mar. 24, 2015, 3 pgs.

Lithonia Lighting, The Best Value in Lighting, <http://www.lithonia.com/>, known at least as early as Mar. 24, 2015, 4 pgs.

LSI Industries, LED Area Lights—LSI Slice (XLCS, XLCM), [http://www.lsi-industries.com/products/led\\_arealights\\_slice-xlcs.xlcm.aspx](http://www.lsi-industries.com/products/led_arealights_slice-xlcs.xlcm.aspx), known at least as early as Mar. 24, 2015, 1 pg.

Philips Gardco PureForm, LED Solution, Pure in Form and Function Defining Performance, Specification Grade Luminaires brochure, 2014, 24 pgs.

Philips Gardco, Classic Gullwing Shape, LED Performance, 18" Gullwing LED Area and Roadway Luminaire brochure, 2013, 12 pgs.

RAB Lighting, ALED2T150, <http://www.rabweb.com/product.php?product=ALED2T150>, Jan. 29, 2015, 2 pgs.

Visionaire Lighting, LED Luminaire Product Overview, <http://visionairelighting.com/productDetails.asp?productID=457>, known at least as early as Mar. 24, 2015, 2 pgs.

VLX LED Luminaire, Visionaire Lighting brochure, known at least as early as Mar. 24, 2015, 16 pgs.

\* cited by examiner

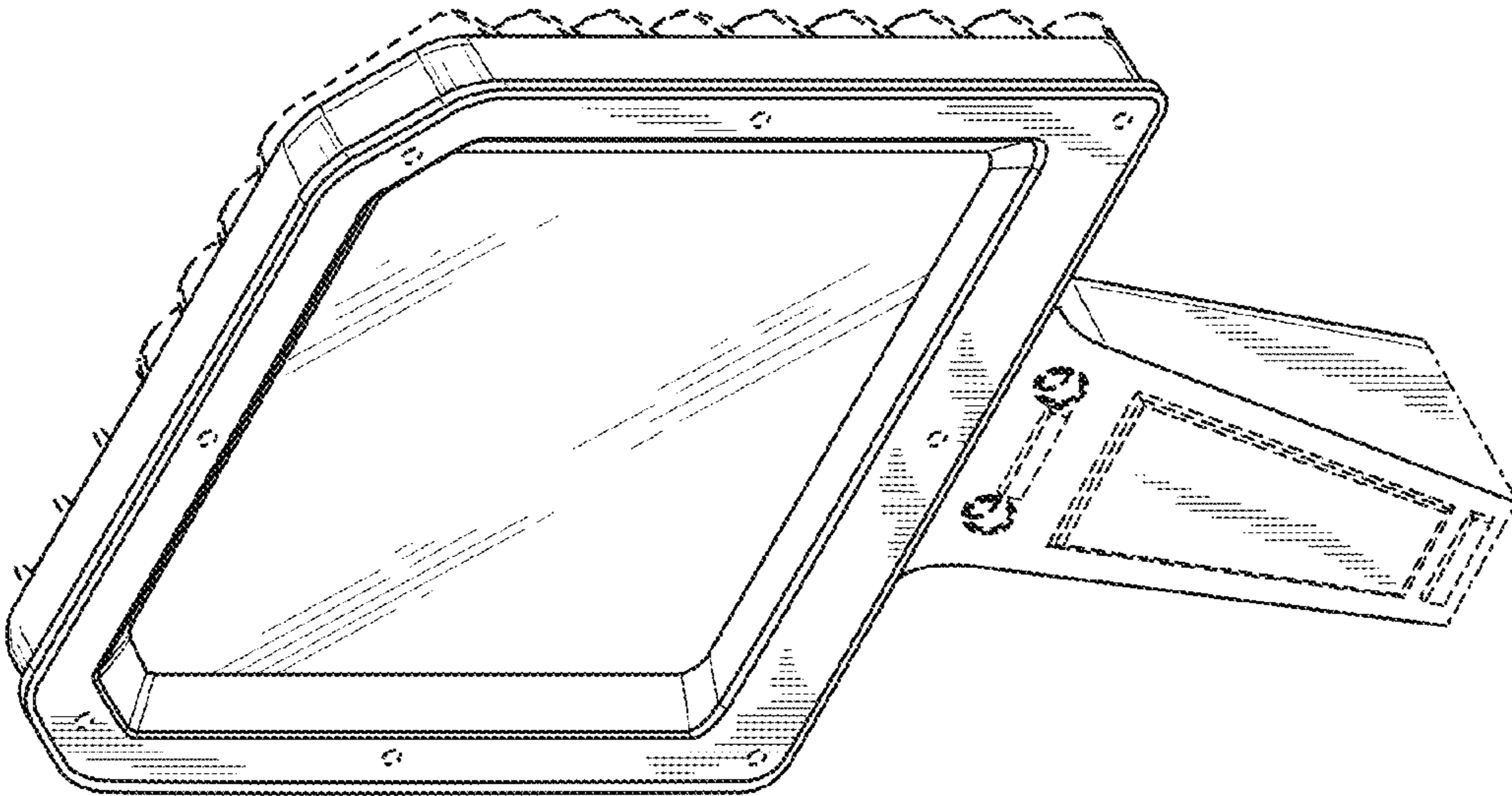


FIG. 1

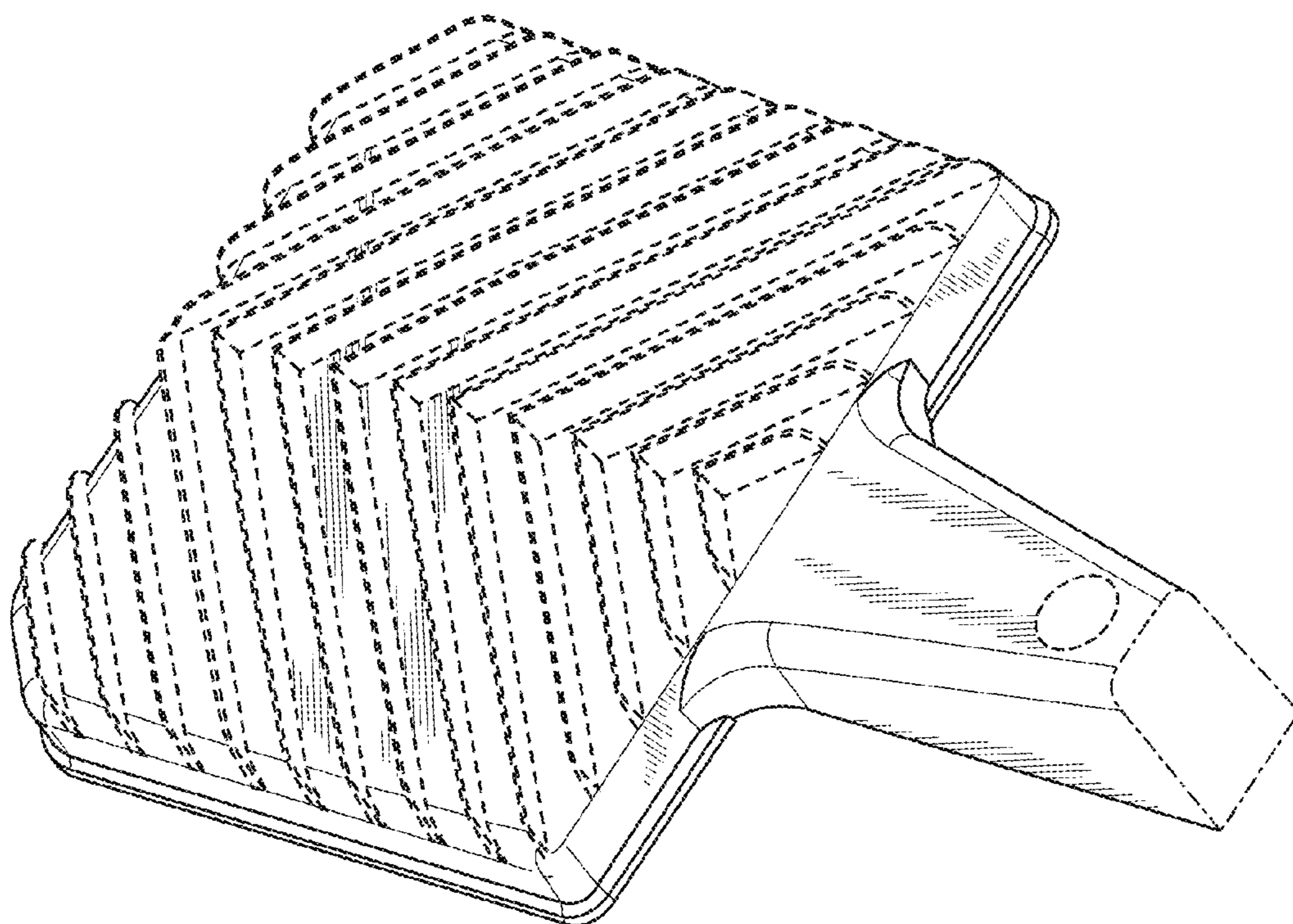


FIG. 2

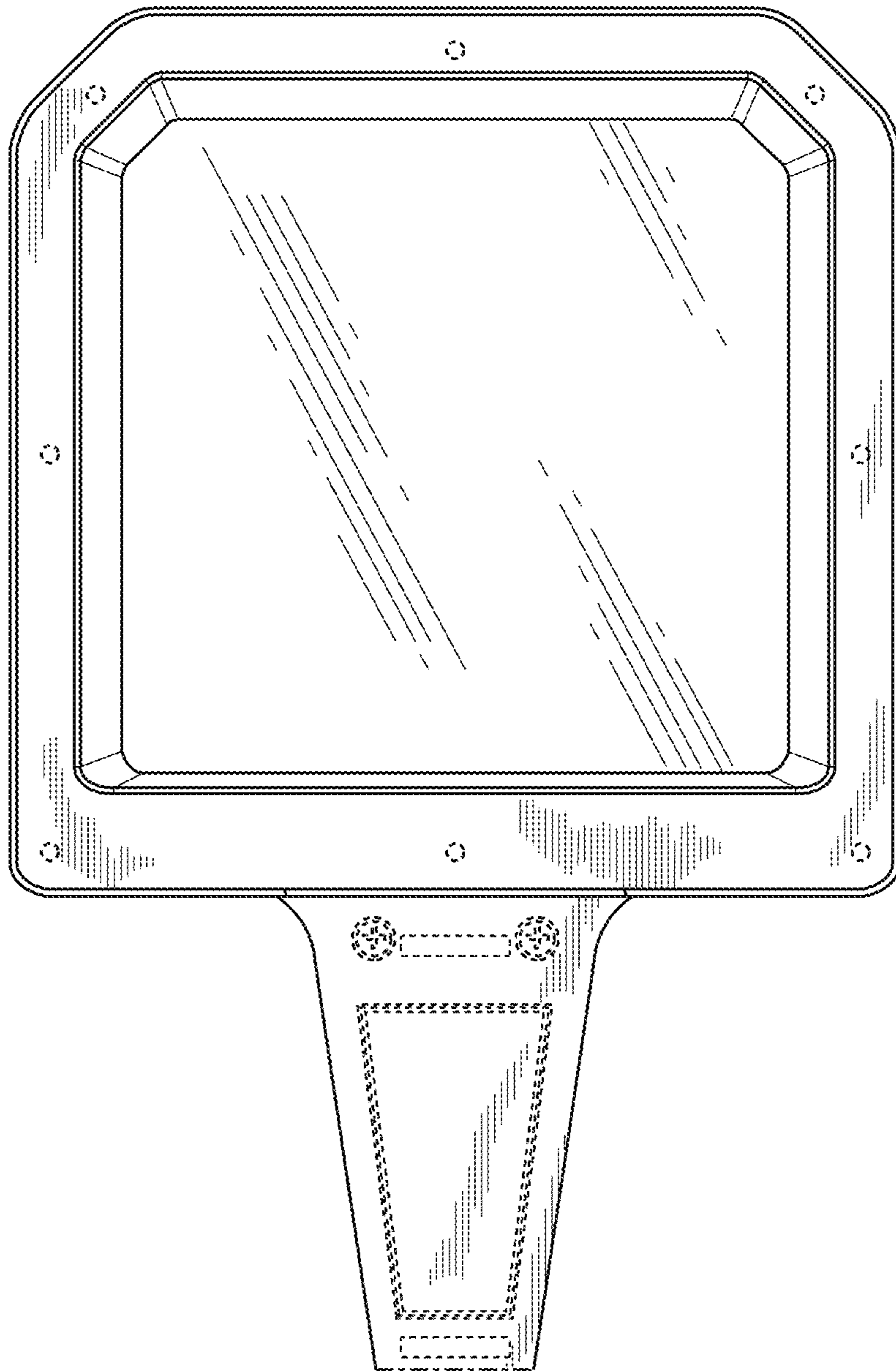


FIG. 3

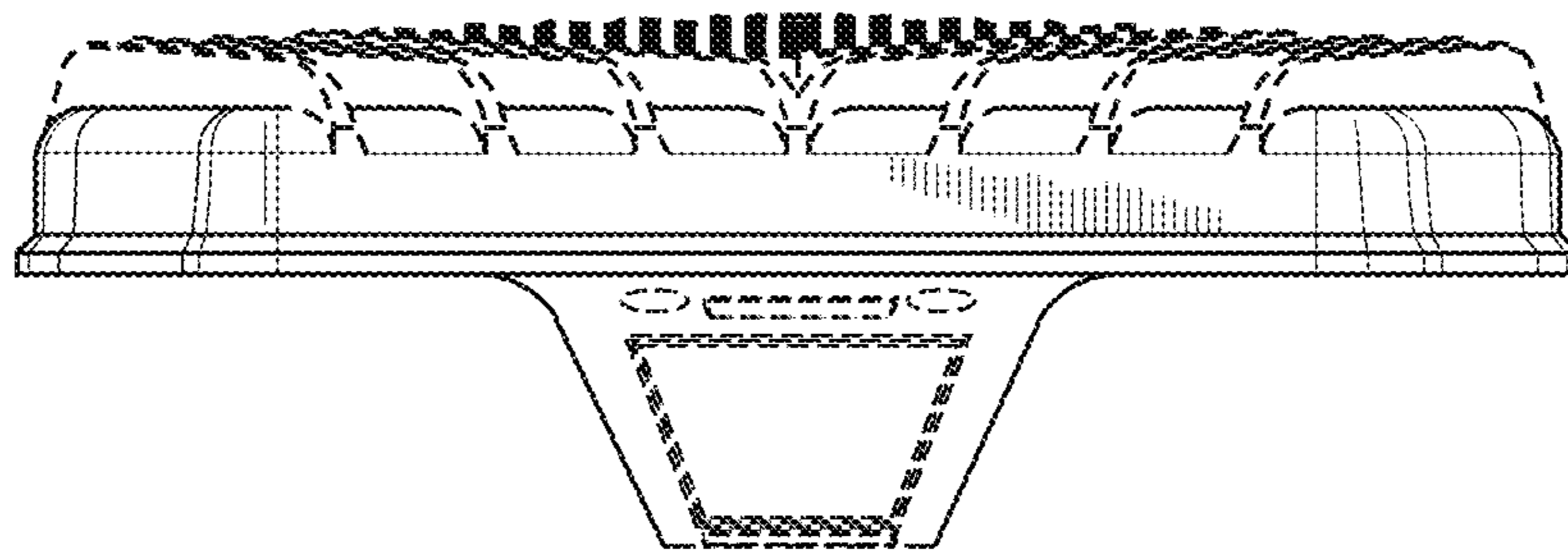
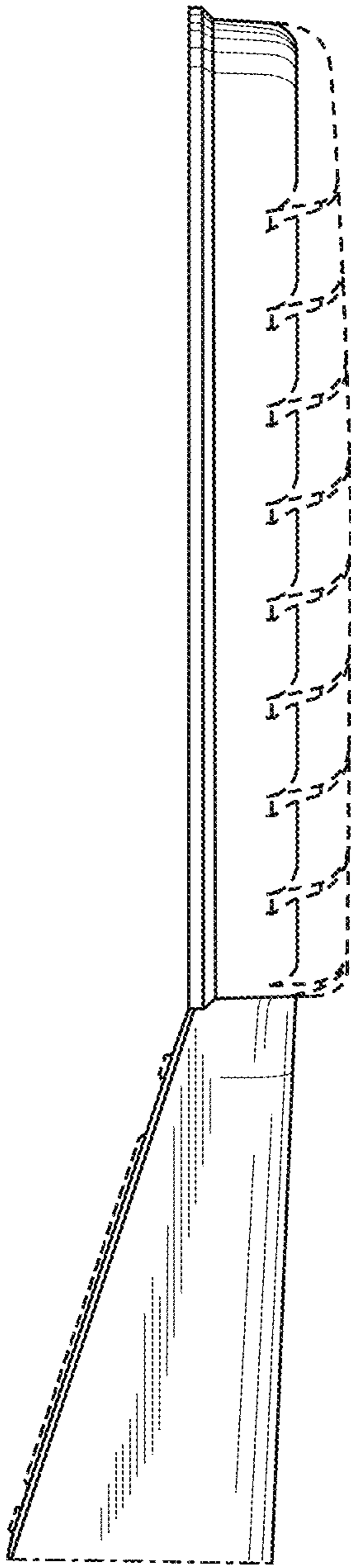


FIG. 4



**FIG. 5**

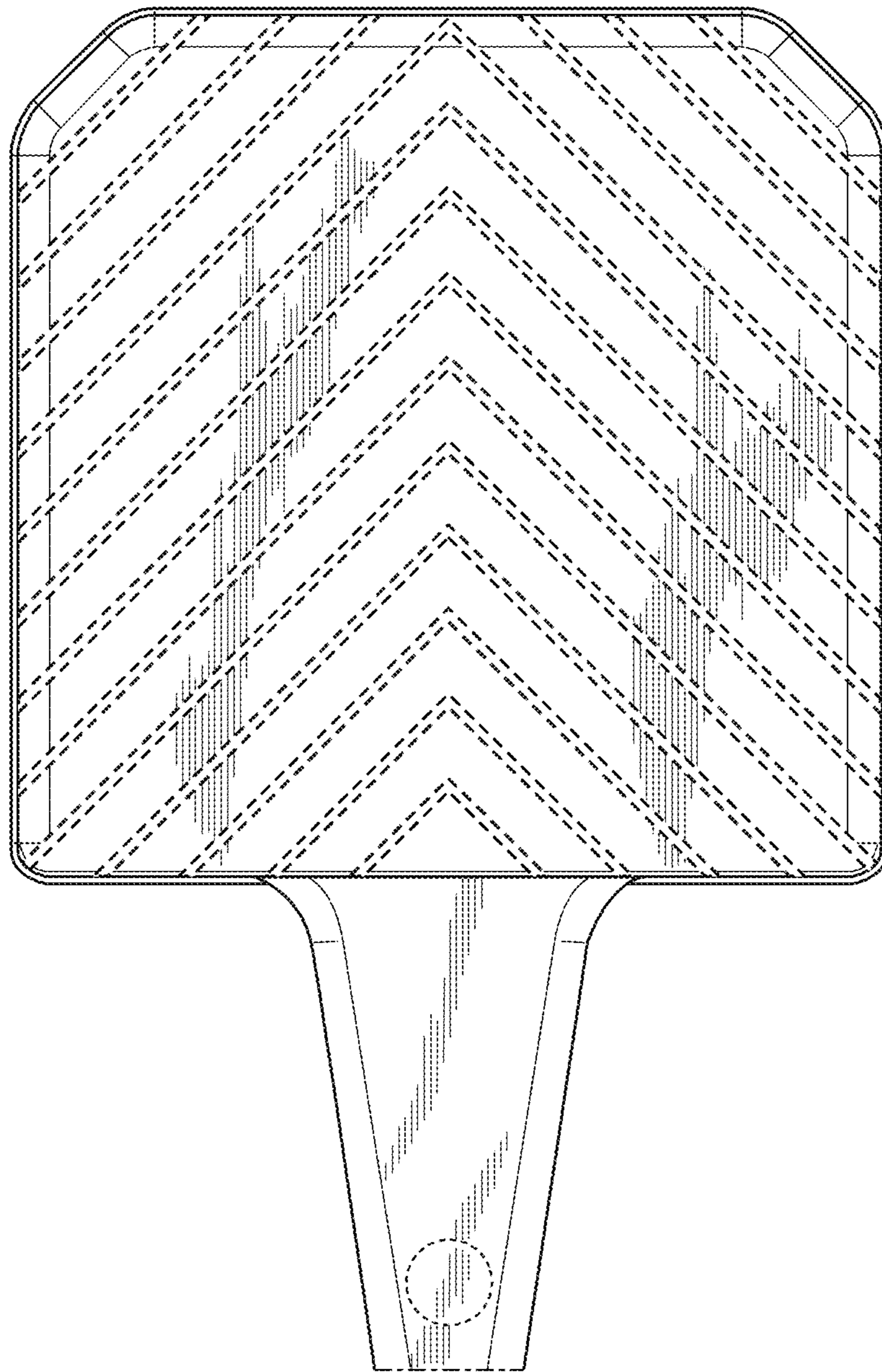
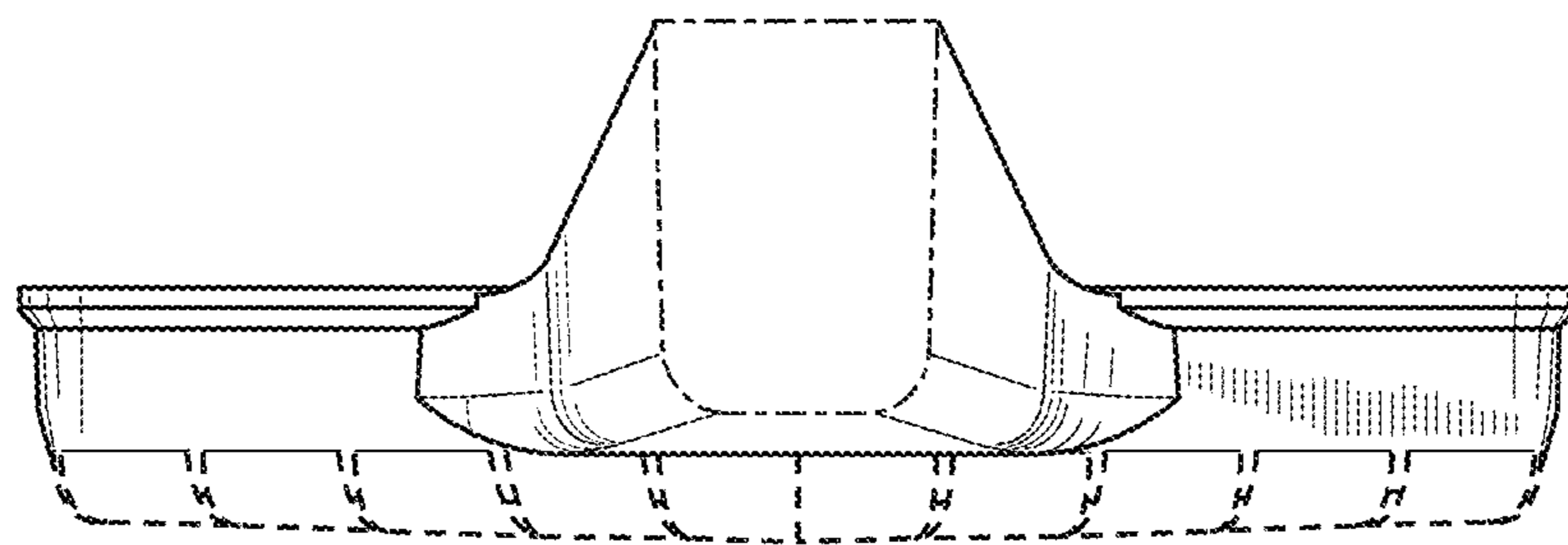


FIG. 6





**FIG. 7**

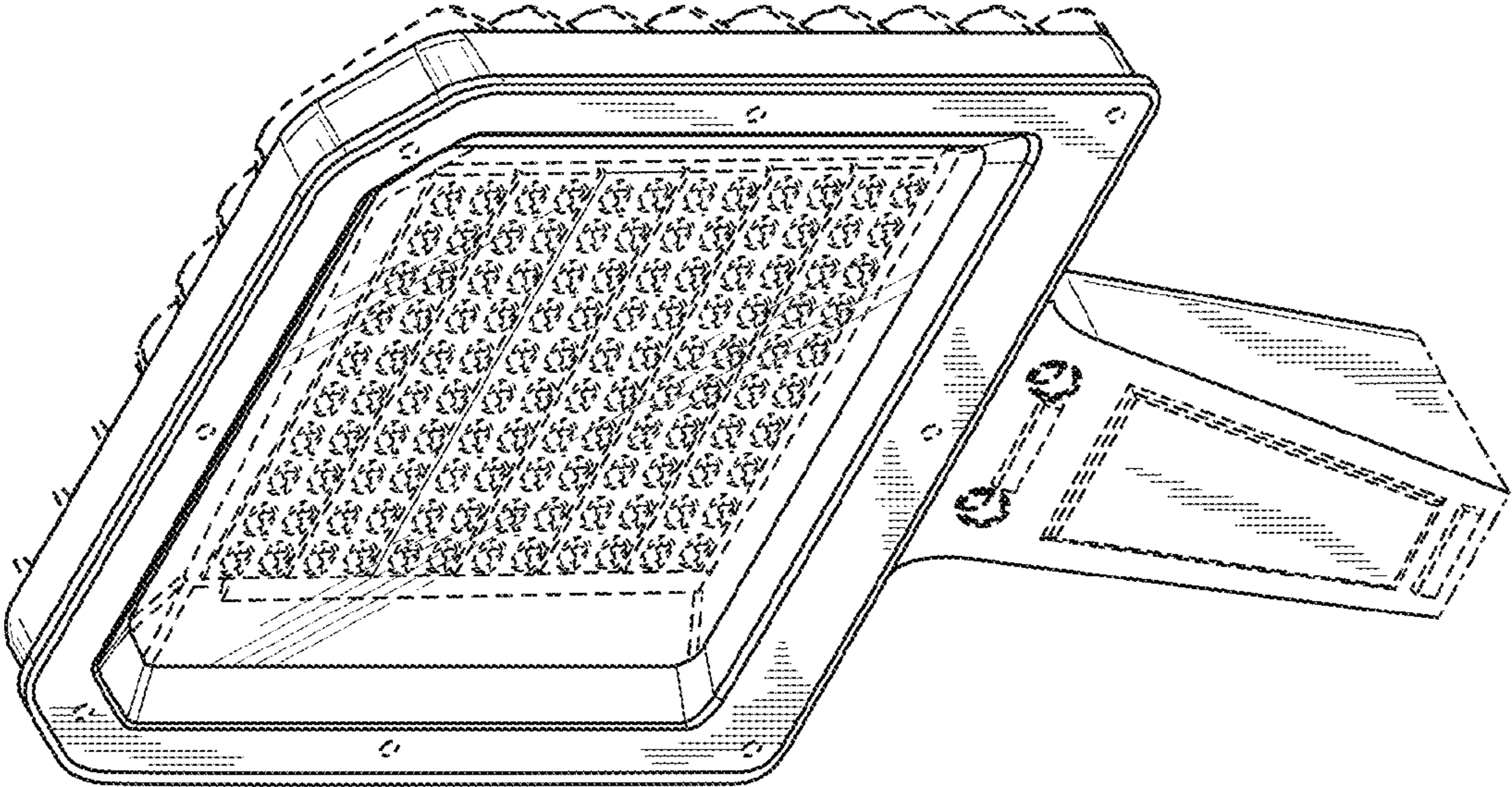


FIG. 8