



US00D754384S

(12) **United States Design Patent**
Ng et al.

(10) **Patent No.:** **US D754,384 S**
(45) **Date of Patent:** **** Apr. 19, 2016**

(54) **LAMP**

(71) Applicants: **Peter Ng**, Monrovia, CA (US); **Kenneth Ng**, Monrovia, CA (US); **Edmund Ng**, Monrovia, CA (US)

(72) Inventors: **Peter Ng**, Monrovia, CA (US); **Kenneth Ng**, Monrovia, CA (US); **Edmund Ng**, Monrovia, CA (US)

(73) Assignee: **KONCEPT TECHNOLOGIES, INC.**, Monrovia, CA (US)

(**) Term: **14 Years**

(21) Appl. No.: **29/507,247**

(22) Filed: **Oct. 24, 2014**

(51) **LOC (10) Cl.** **26-03**

(52) **U.S. Cl.**
USPC **D26/63**

(58) **Field of Classification Search**
USPC D26/1, 24, 61, 63, 65, 85, 93, 106, 107
CPC F21V 21/14; F21V 15/01; F21V 14/02;
F21V 21/30; F21V 21/00; F21V 14/00;
F21S 8/00; F21S 8/003; F21S 8/043; F21Y
2105/001

See application file for complete search history.

(56) **References Cited**

U.S. PATENT DOCUMENTS

D579,597 S *	10/2008	Ng	D26/61
D599,930 S *	9/2009	Huang	D26/63
D624,226 S *	9/2010	Huang	D26/65
D628,729 S *	12/2010	Citterio	D26/65
D714,483 S *	9/2014	Polick	D26/65

* cited by examiner

Primary Examiner — Brian N Vinson

(74) *Attorney, Agent, or Firm* — Steins & Associates, P.C.

(57) **CLAIM**

The ornamental design for a lamp, as shown and described.

DESCRIPTION

FIG. 1 is a top, front, and right side perspective view of a lamp showing our new design;

FIG. 2 is a right side elevational view thereof;

FIG. 3 is a left side elevational view thereof;

FIG. 4 is a front elevational view thereof;

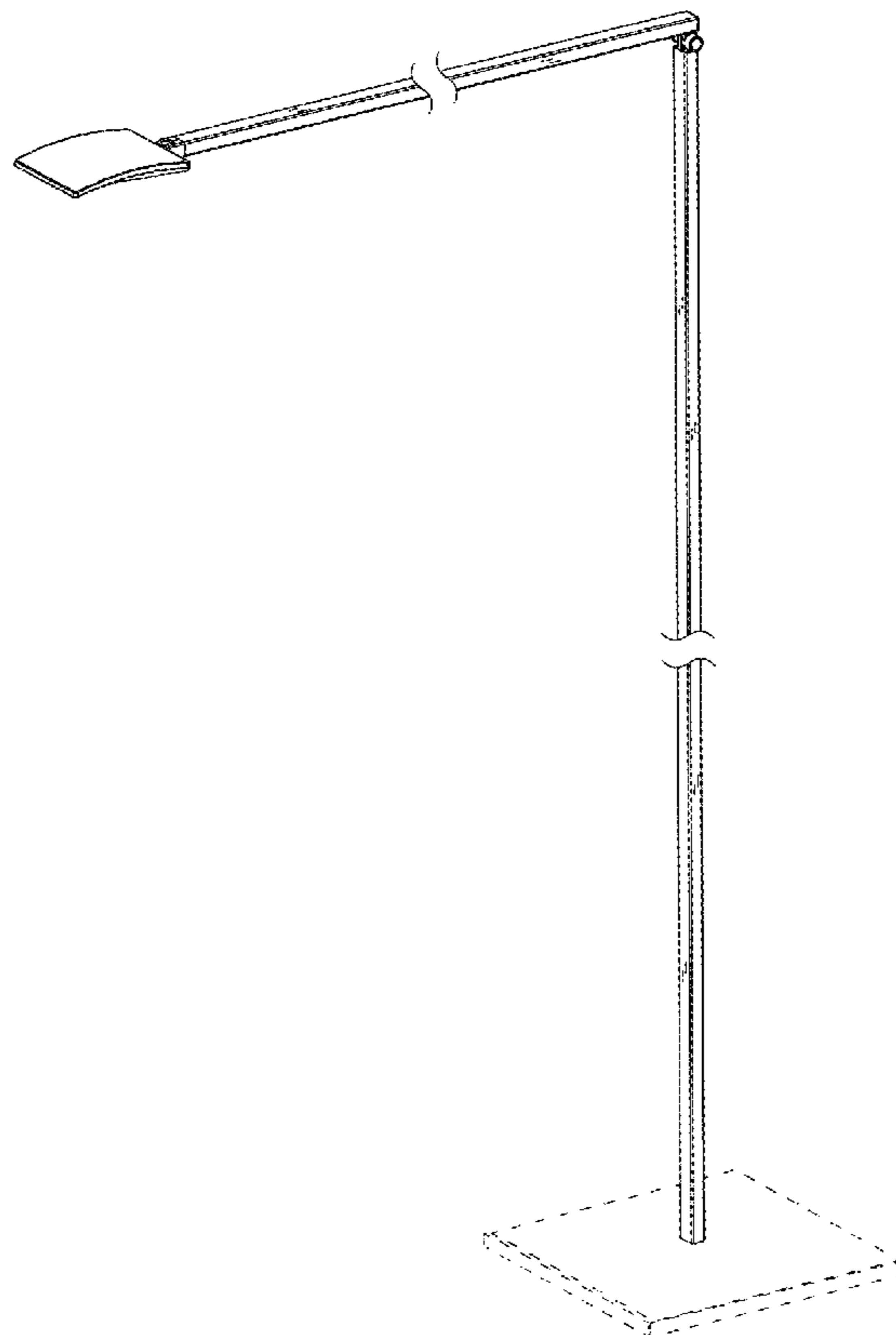
FIG. 5 is a rear elevational view thereof;

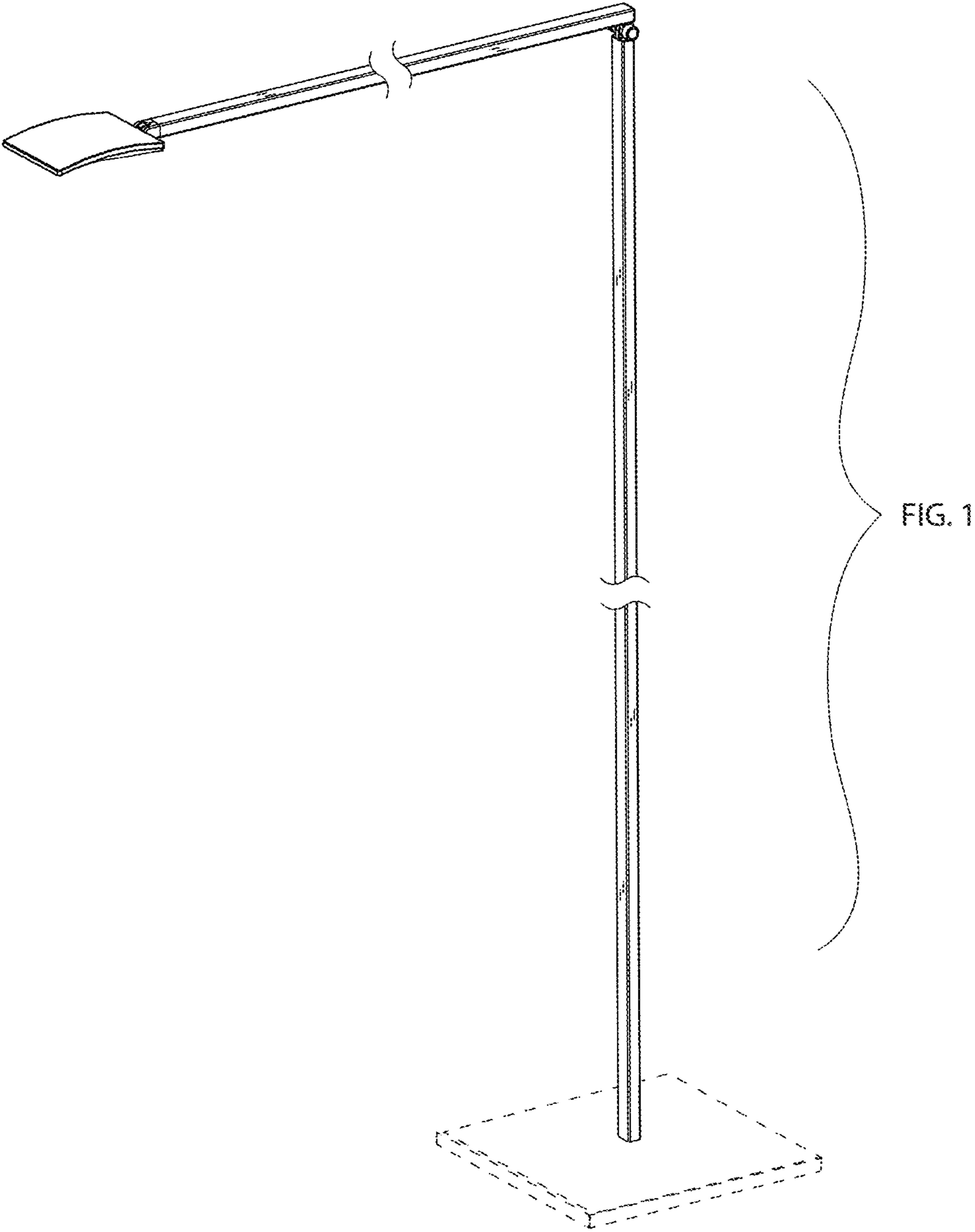
FIG. 6 is a top plan view thereof; and,

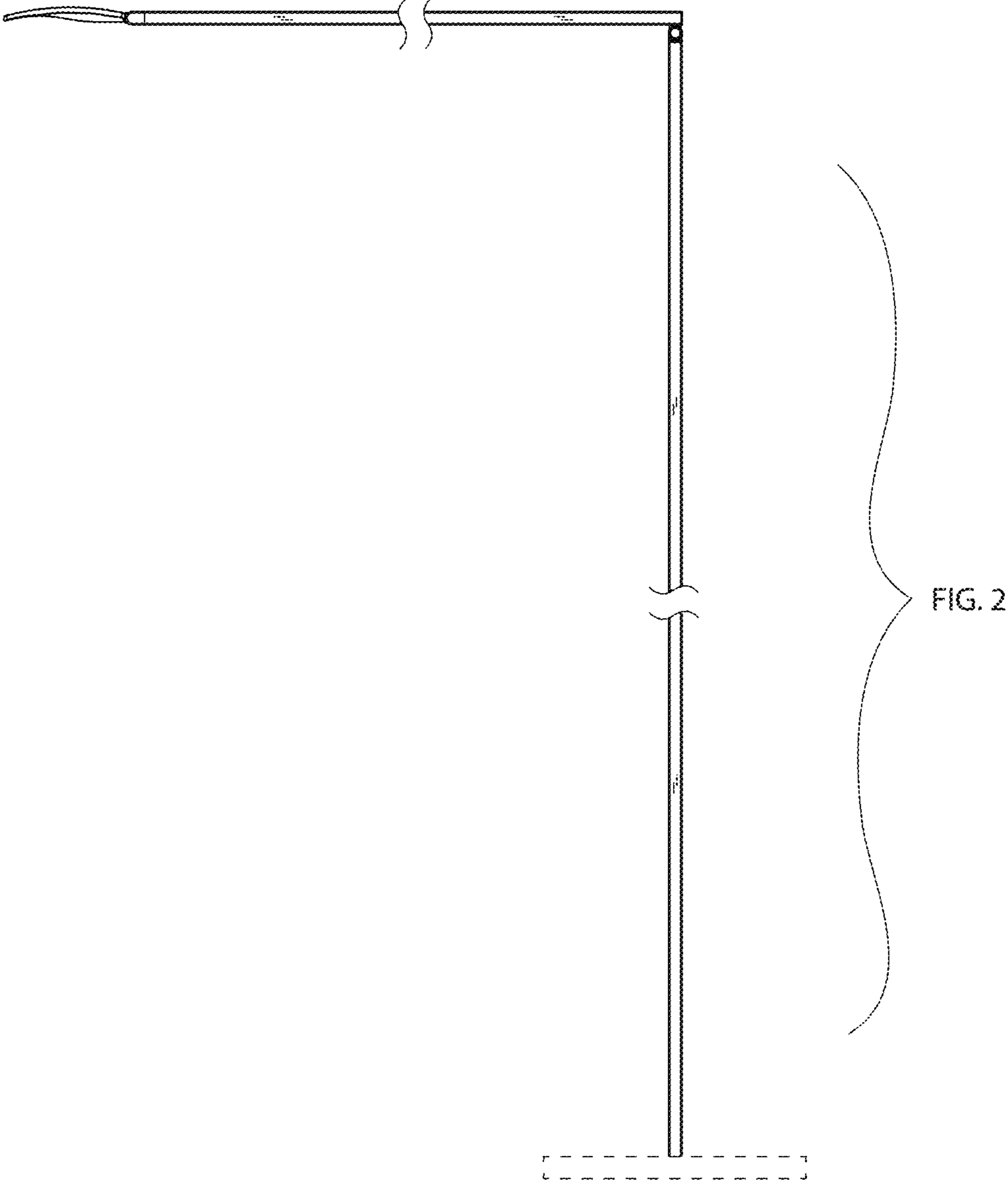
FIG. 7 is a bottom view thereof.

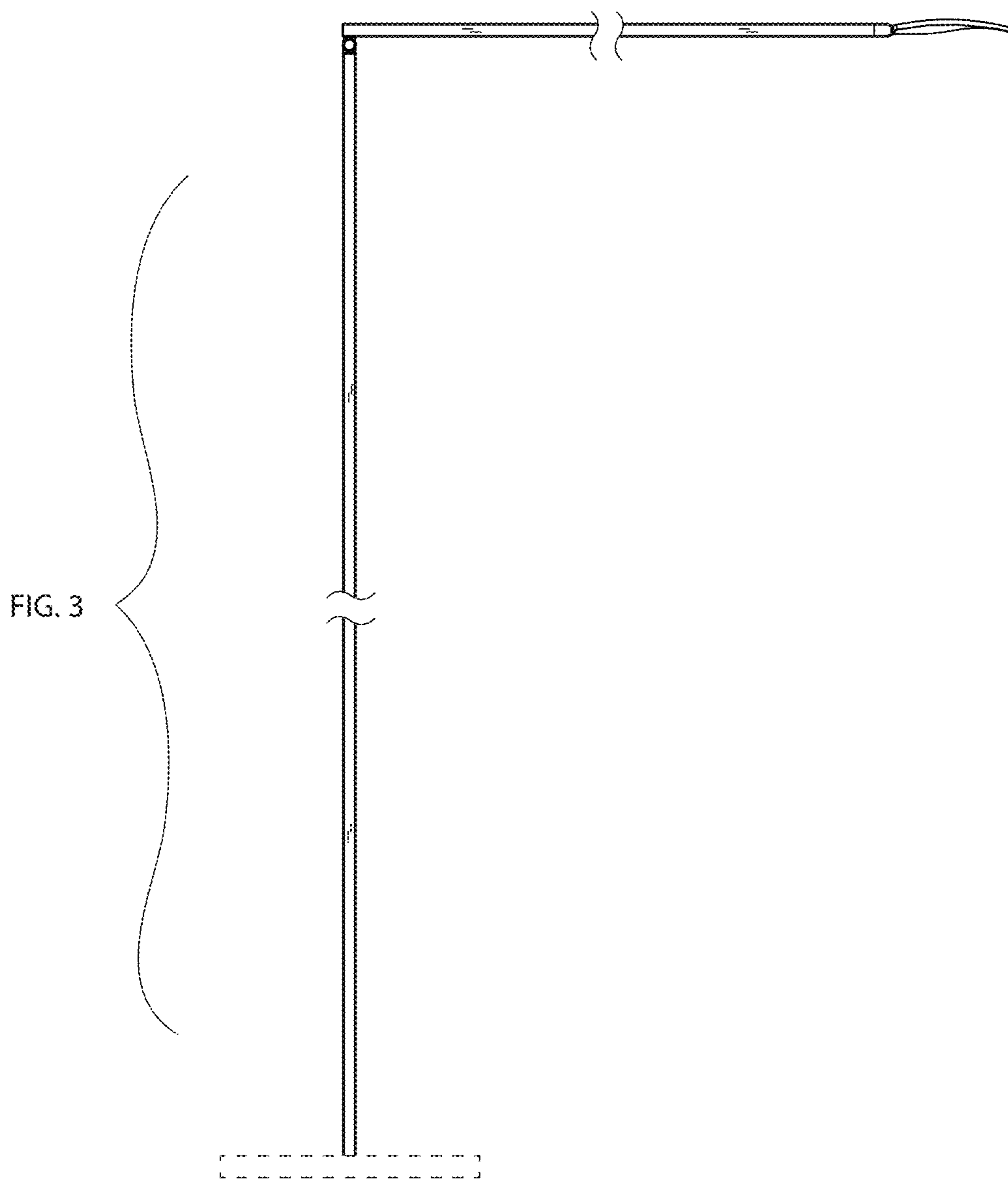
The area between the ends of the elements shown broken away forms no part of the claimed design, and the portions of the lamp shown in broken lines form no part of the claimed design.

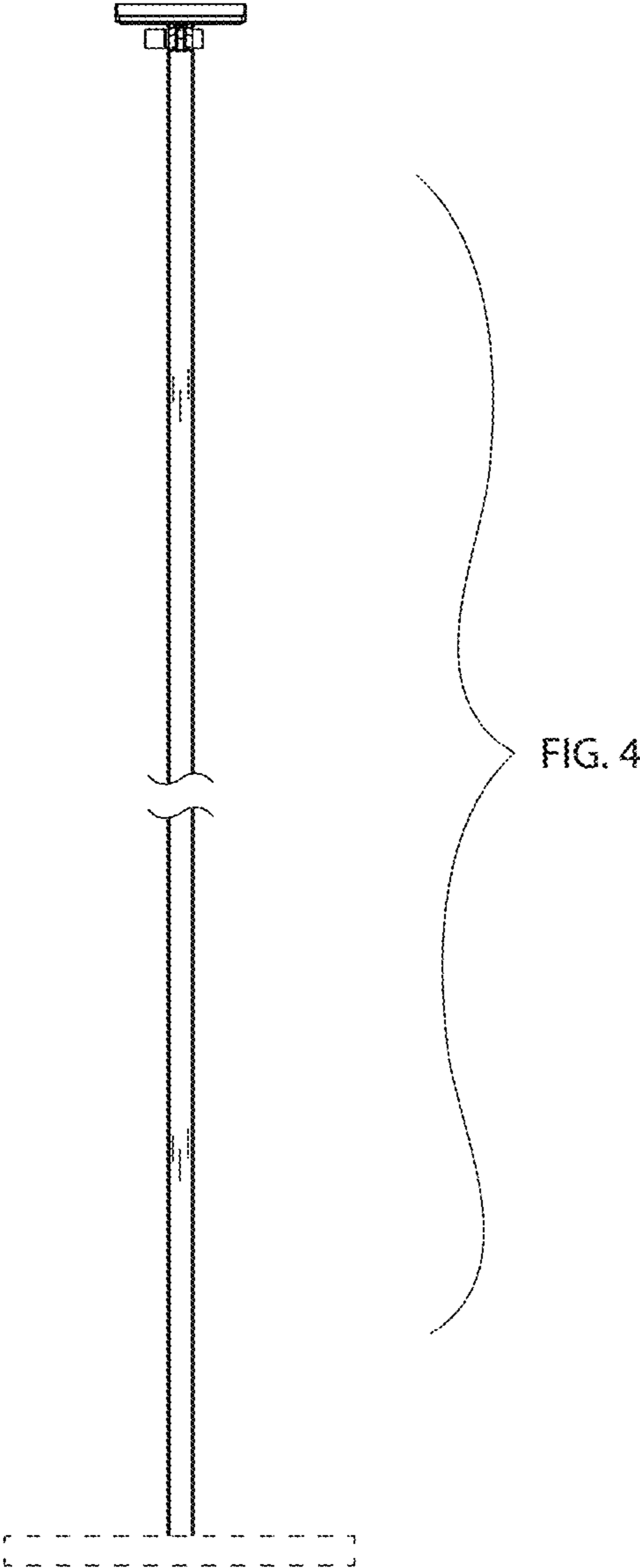
1 Claim, 7 Drawing Sheets

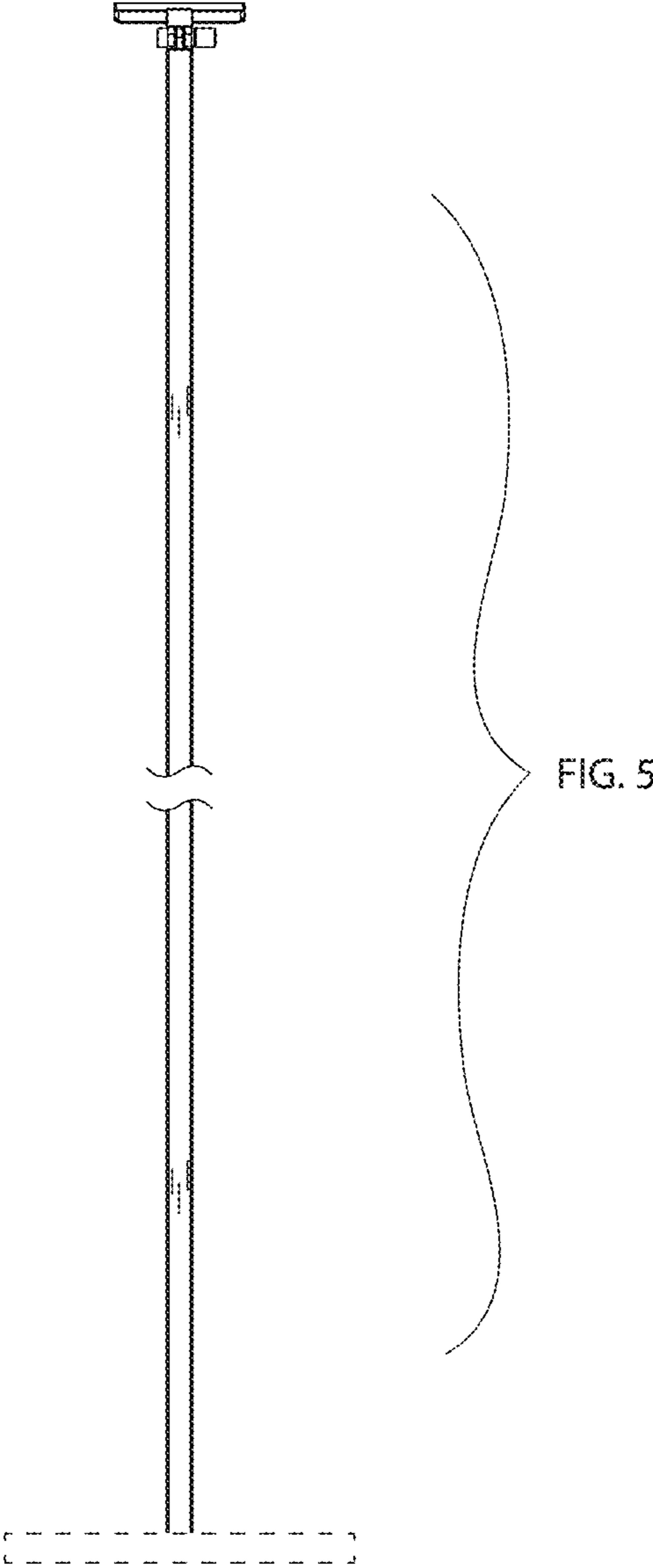












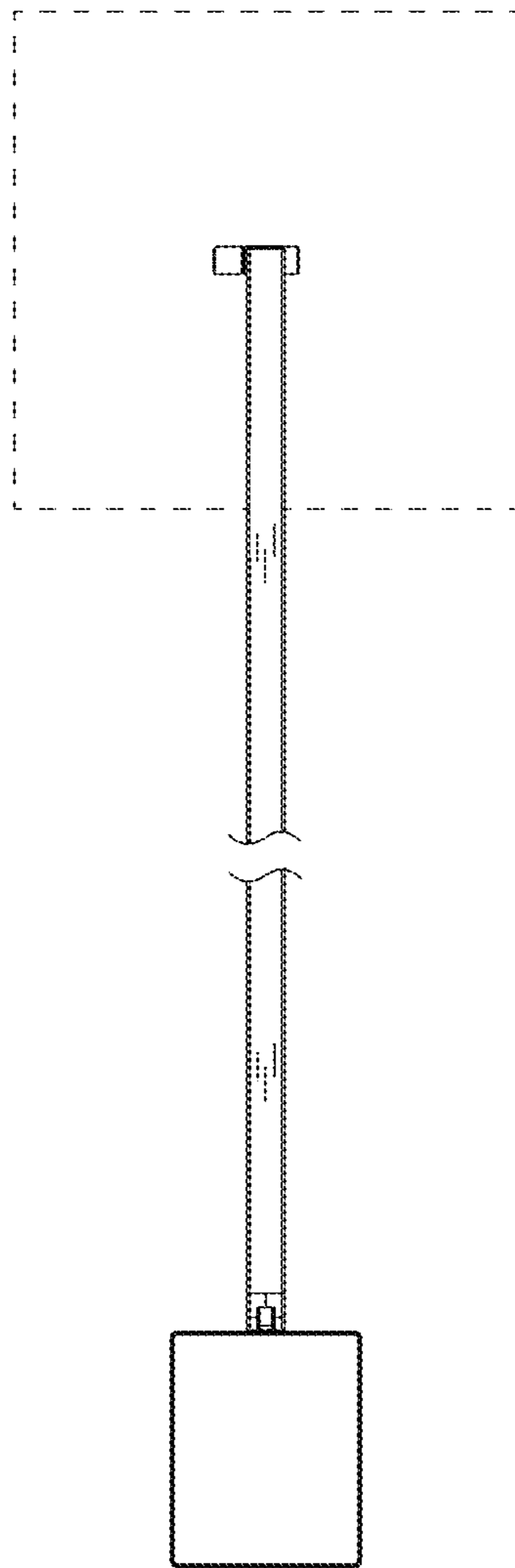


FIG. 6

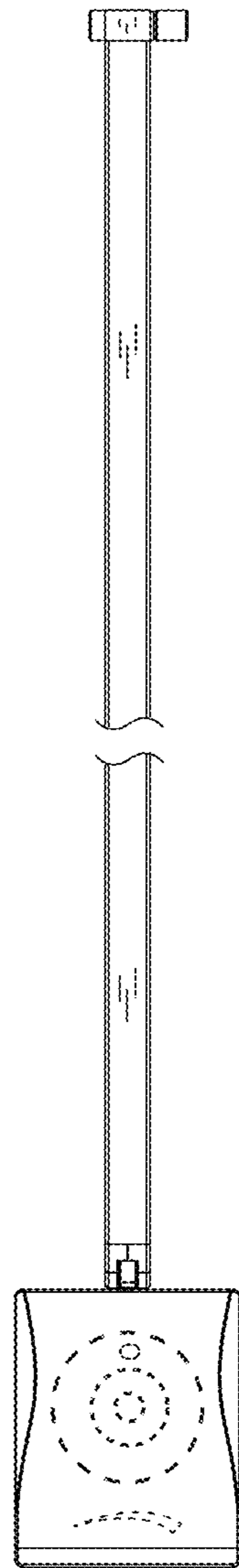


FIG. 7