



US00D754383S

(12) **United States Design Patent**
Kovacik et al.

(10) **Patent No.:** **US D754,383 S**
(45) **Date of Patent:** **** Apr. 19, 2016**

(54) **LED FLOODLIGHT**

(71) Applicant: **Alert Stamping & Manufacturing Co., Inc.**, Bedford Heights, OH (US)

(72) Inventors: **James D. Kovacik**, Brecksville, OH (US); **Paul S. Blanch**, Broadview Heights, OH (US)

(73) Assignee: **Alert Stamping & Manufacturing Co., Inc.**, Bedford Heights, OH (US)

(**) Term: **14 Years**

(21) Appl. No.: **29/496,187**

(22) Filed: **Jul. 10, 2014**

(51) **LOC (10) Cl.** **26-05**

(52) **U.S. Cl.**
USPC **D26/63**

(58) **Field of Classification Search**
USPC D26/1, 24, 61, 63, 65, 85, 92, 93, 104, D26/106
CPC F21V 21/14; F21V 15/01; F21V 14/02; F21V 21/30; F21V 21/00; F21V 14/00; F21S 8/00; F21S 8/003; F21S 8/043; F21Y 2105/001

See application file for complete search history.

(56) **References Cited**

U.S. PATENT DOCUMENTS

D291,360 S *	8/1987	De Vos	D26/63
D375,376 S *	11/1996	Shen	D26/63
D461,016 S *	7/2002	Schreder	D26/24
D462,802 S *	9/2002	Kovacik	D26/63
D505,220 S *	5/2005	Stekelenburg	D26/61
7,152,997 B1	12/2006	Kovacik et al.	
D549,859 S	8/2007	Kovacik et al.	
D641,917 S *	7/2011	Toratani	D26/93
D713,983 S *	9/2014	Yang	D26/63
D735,387 S *	7/2015	Bao	D26/63

* cited by examiner

Primary Examiner — Brian N Vinson

(74) *Attorney, Agent, or Firm* — Fraser Clemens Martin & Miller LLC; William J. Clemens

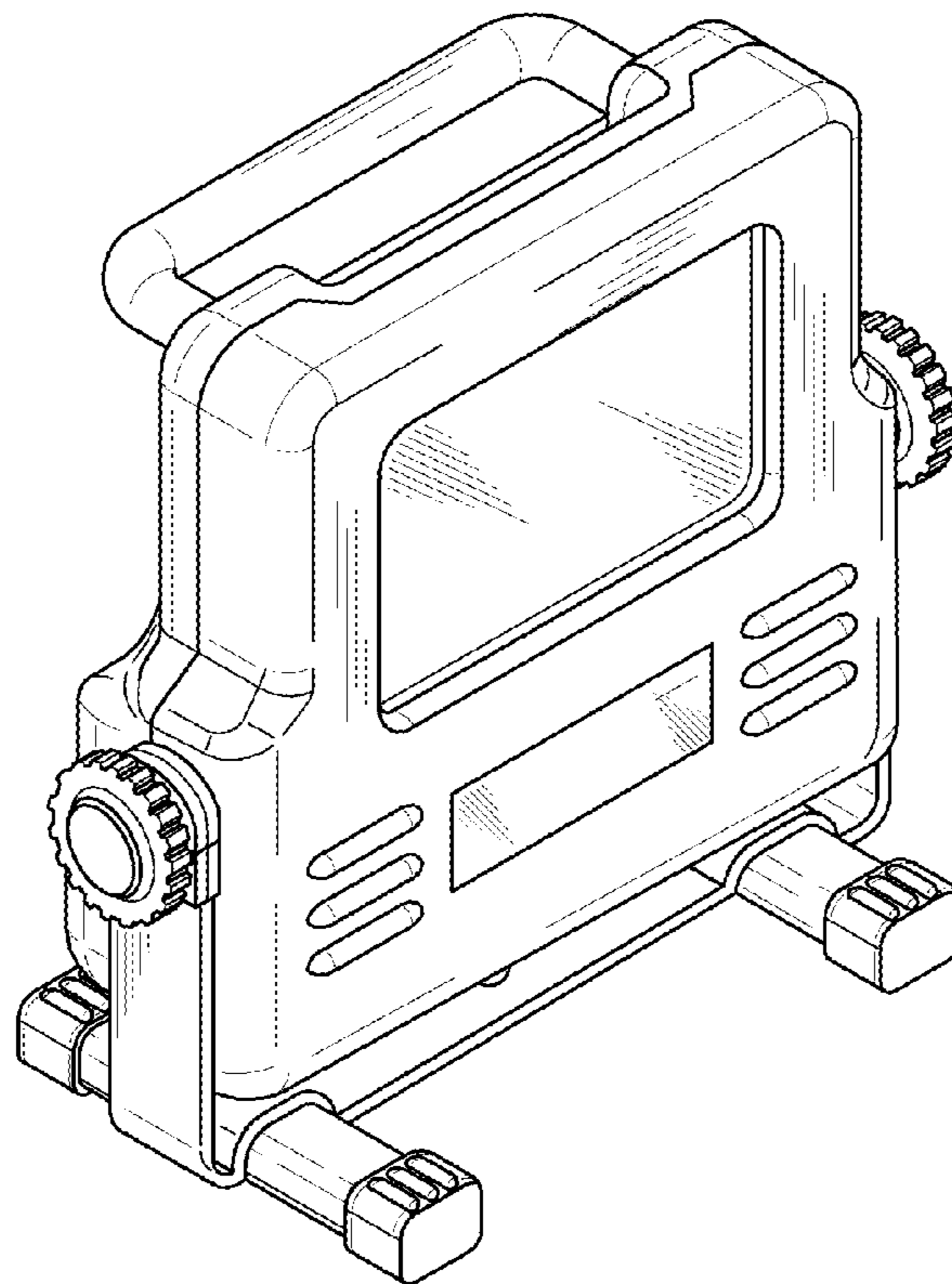
(57) **CLAIM**

The ornamental design for the LED floodlight, as shown.

DESCRIPTION

FIG. 1 is a front perspective view of an LED floodlight showing our new design;
FIG. 2 is a front elevation view thereof;
FIG. 3 is a rear elevation view thereof;
FIG. 4 is a top plan view thereof;
FIG. 5 is a bottom plan view thereof; and,
FIG. 6 is a left side elevation view thereof, the right side elevation view being a mirror image.

1 Claim, 3 Drawing Sheets



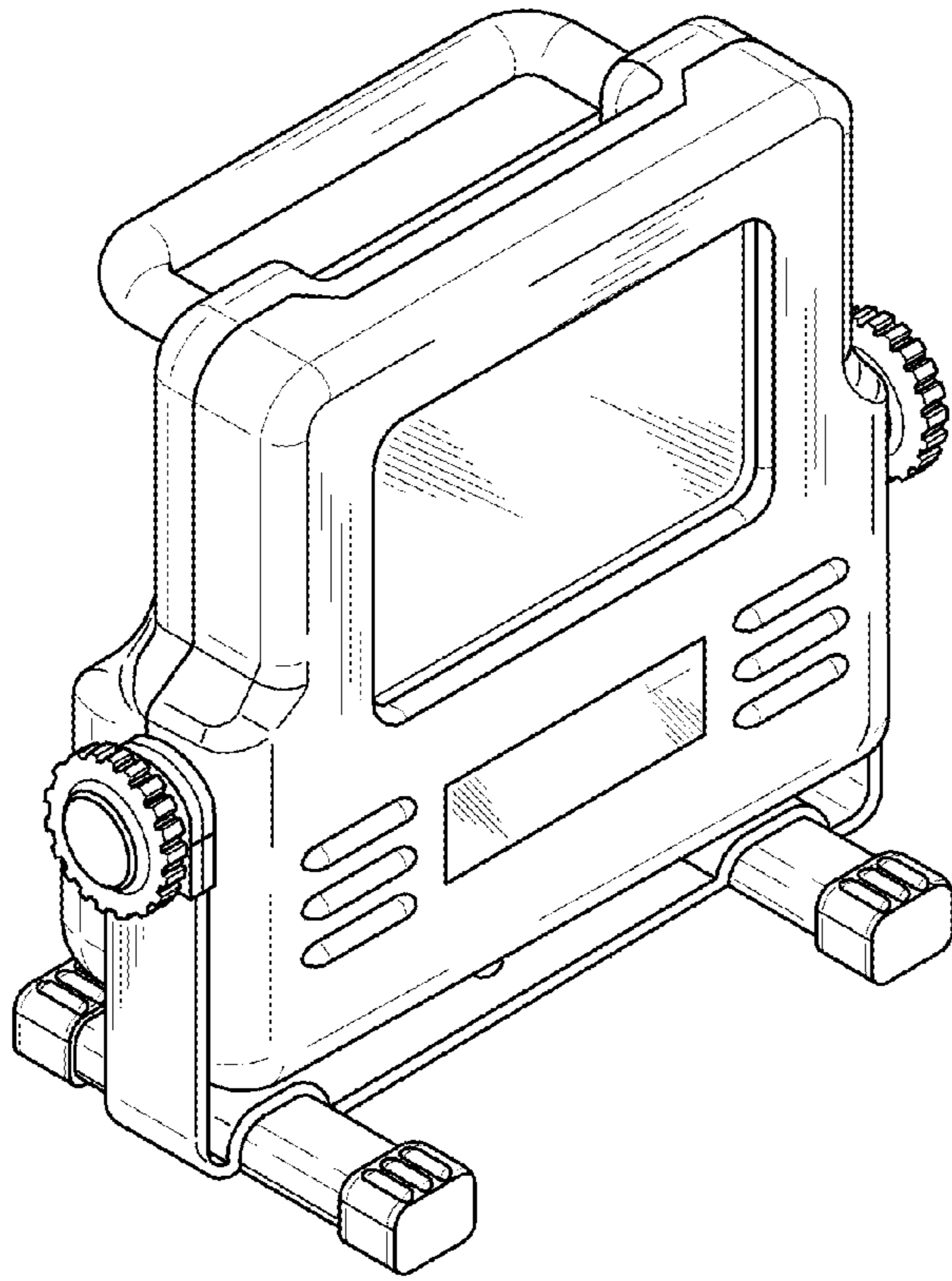


FIG. 1

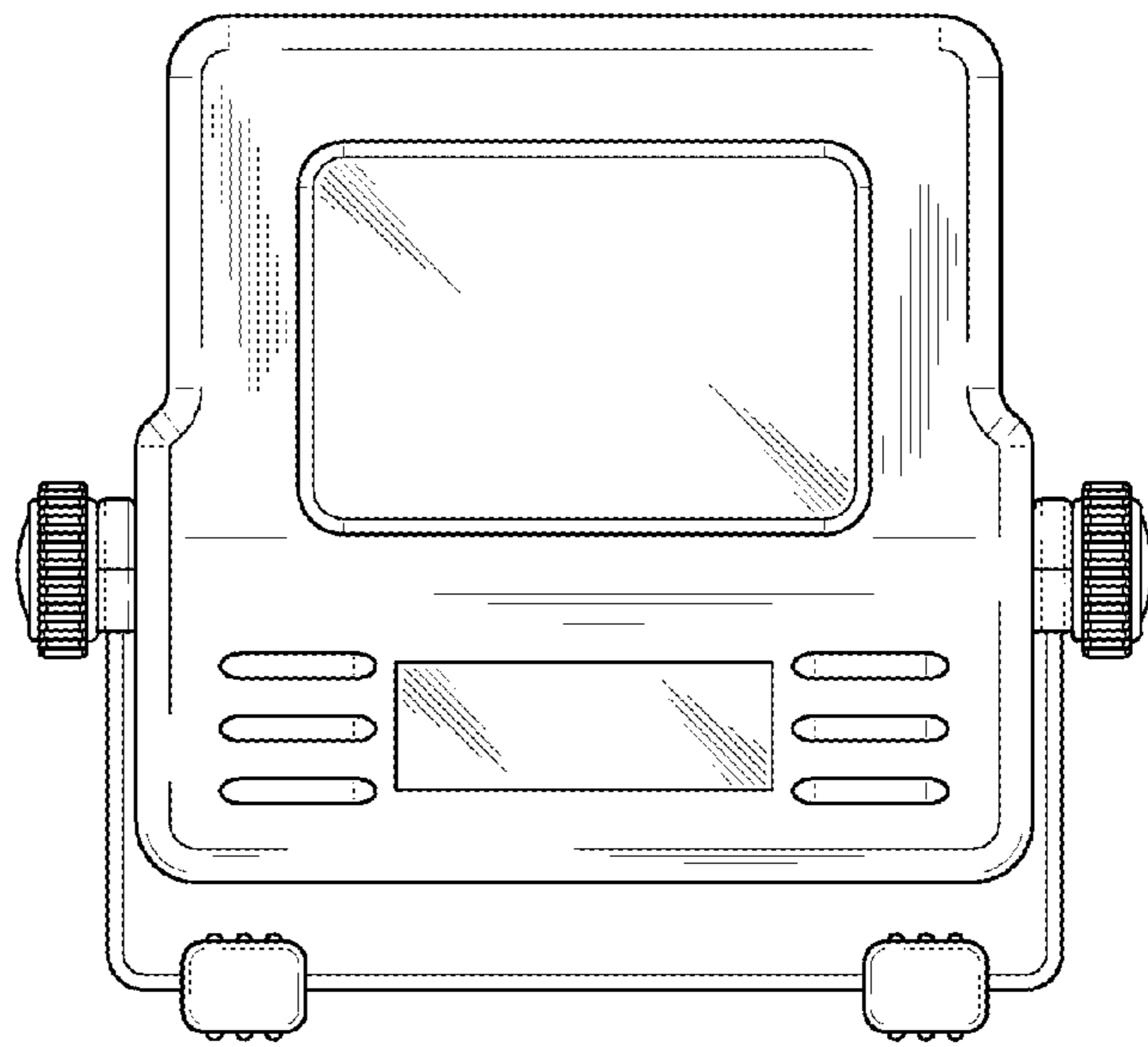


FIG. 2

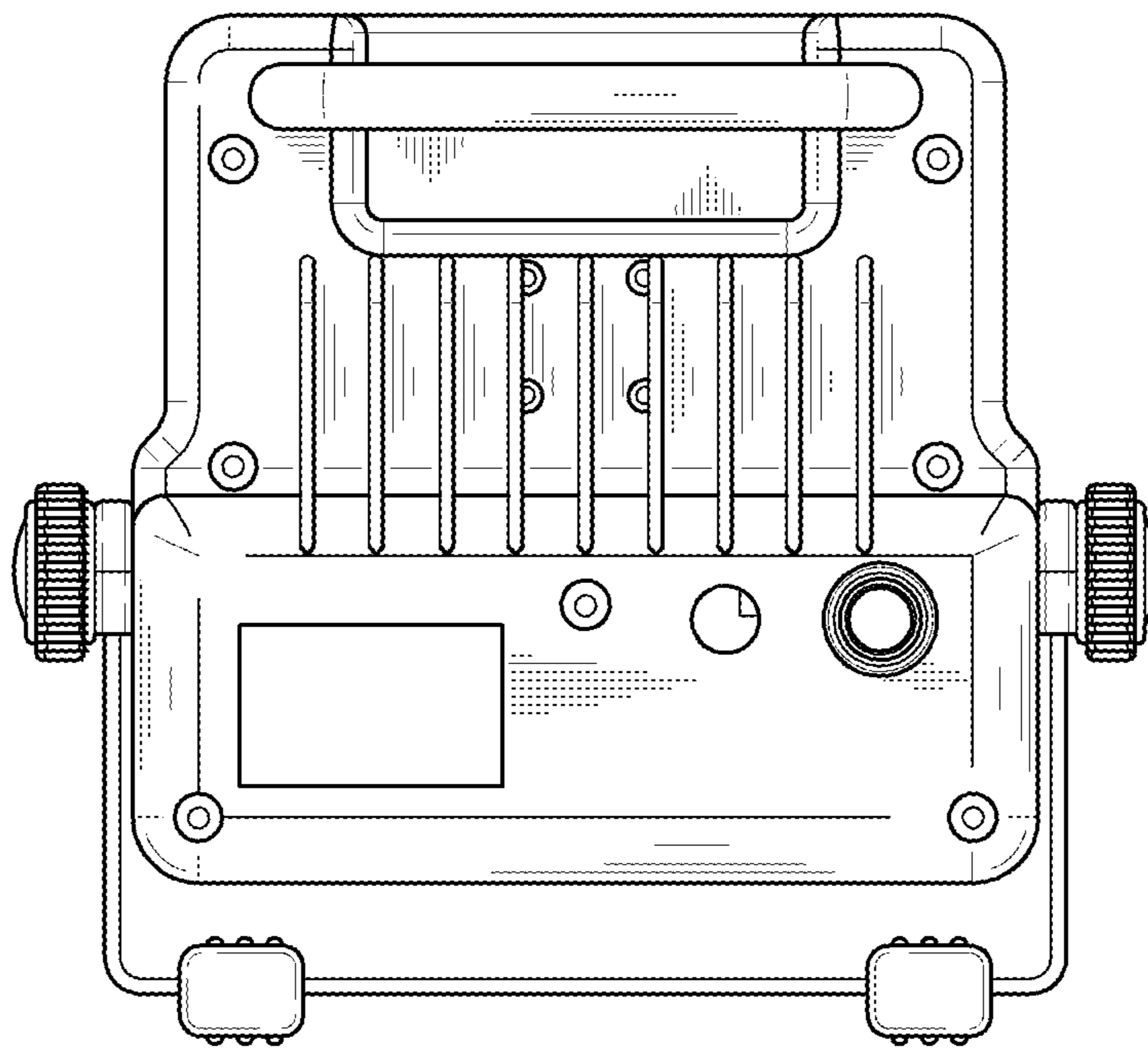


FIG. 3

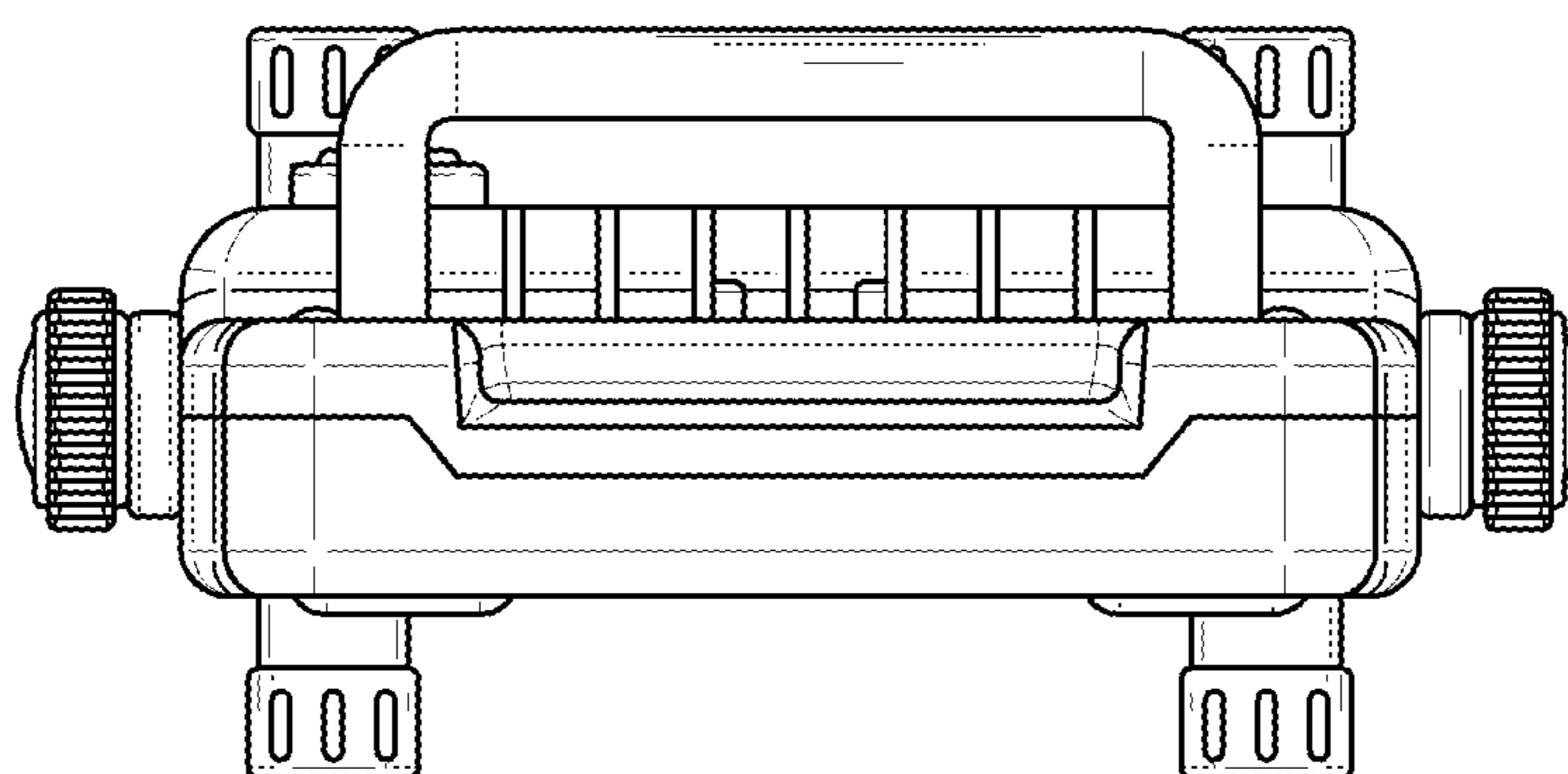


FIG. 4

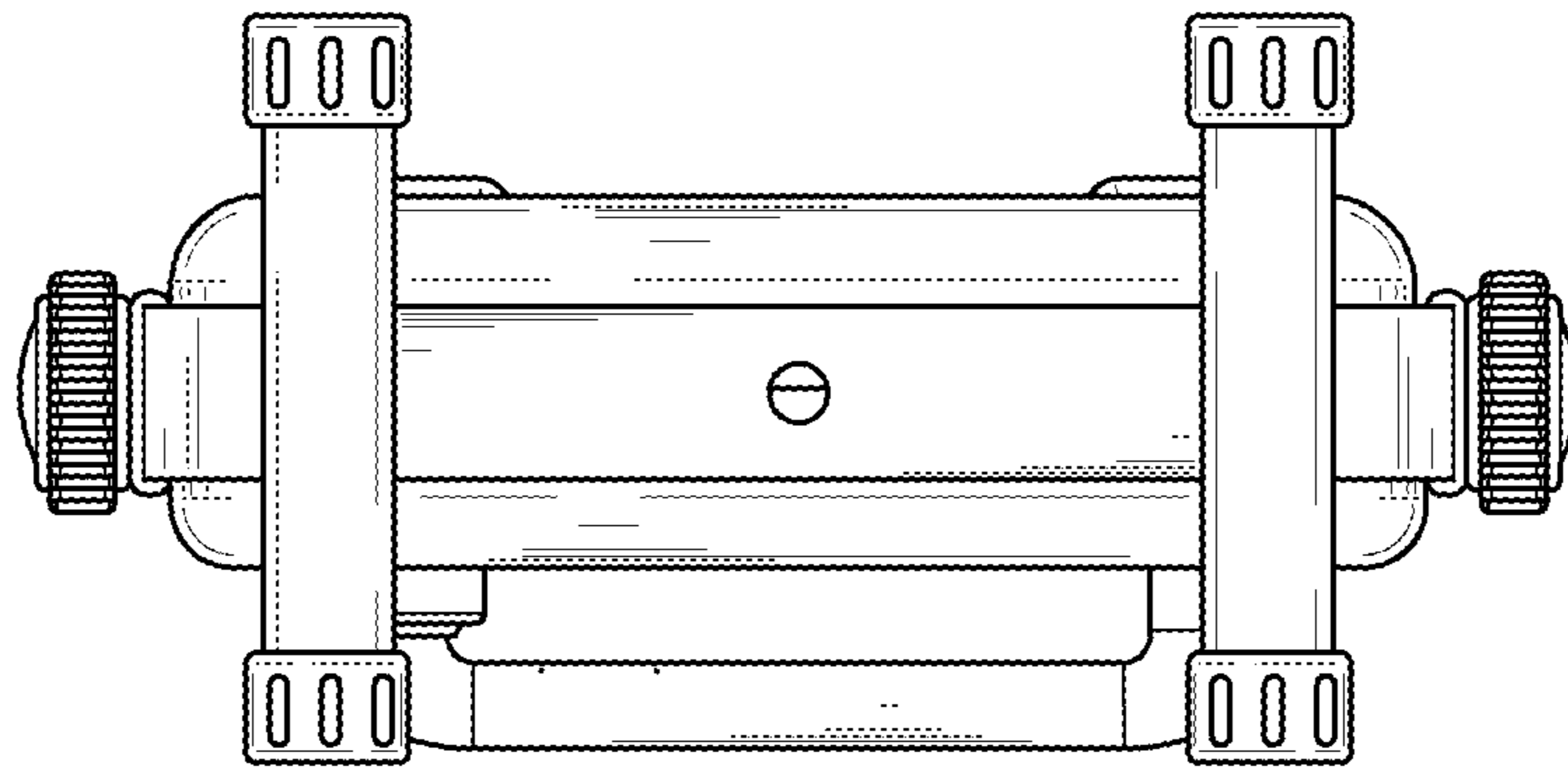


FIG. 5

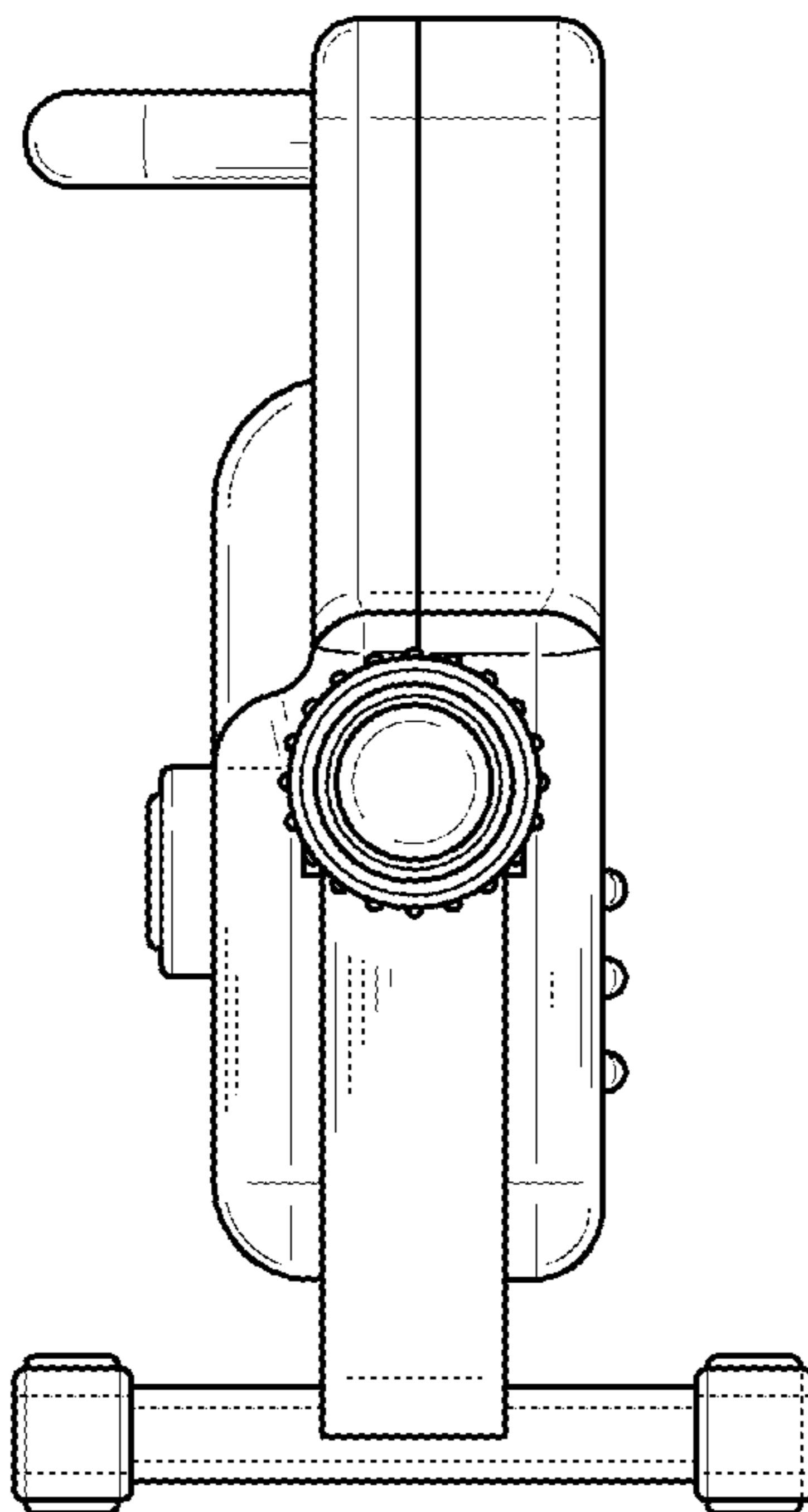


FIG. 6