



US00D754381S

(12) **United States Design Patent**
Inskeep

(10) **Patent No.:** **US D754,381 S**
(45) **Date of Patent:** **** Apr. 19, 2016**

(54) **SPOTLIGHT**

(71) Applicant: **Mathew Inskeep**, Highland Beach, FL
(US)

(72) Inventor: **Mathew Inskeep**, Highland Beach, FL
(US)

(**) Term: **15 Years**

(21) Appl. No.: **29/527,538**

(22) Filed: **May 20, 2015**

(51) **LOC (10) CL.** **26-02**

(52) **U.S. CL.**
USPC **D26/45**

(58) **Field of Classification Search**
USPC D26/40-45, 37, 49, 50; 362/157, 158,
362/183, 184, 194-196, 200-208
CPC F21V 33/00; F21V 14/025; F21V 21/406;
F21Y 2101/02; F21L 17/00; F21L 13/08
See application file for complete search history.

(56) **References Cited**

U.S. PATENT DOCUMENTS

D518,214 S	*	3/2006	Krieger	D26/45
D603,540 S	*	11/2009	Shum	D26/45
D628,326 S	*	11/2010	Ng	D26/45
D646,816 S	*	10/2011	Wang	D26/45
D658,325 S	*	4/2012	Inskeep	D26/45

D658,796 S	*	5/2012	Inskeep	D26/45
D662,240 S	*	6/2012	Inskeep	D26/45
D673,705 S	*	1/2013	Inskeep	D26/45
D673,706 S	*	1/2013	Inskeep	D26/45
D673,707 S	*	1/2013	Inskeep	D26/45
D700,384 S	*	2/2014	Lee	D26/45
D702,383 S	*	4/2014	Inskeep	D26/45
D718,481 S	*	11/2014	Lee	D26/45

* cited by examiner

Primary Examiner — Ian Simmons
Assistant Examiner — Carissa C Fitts

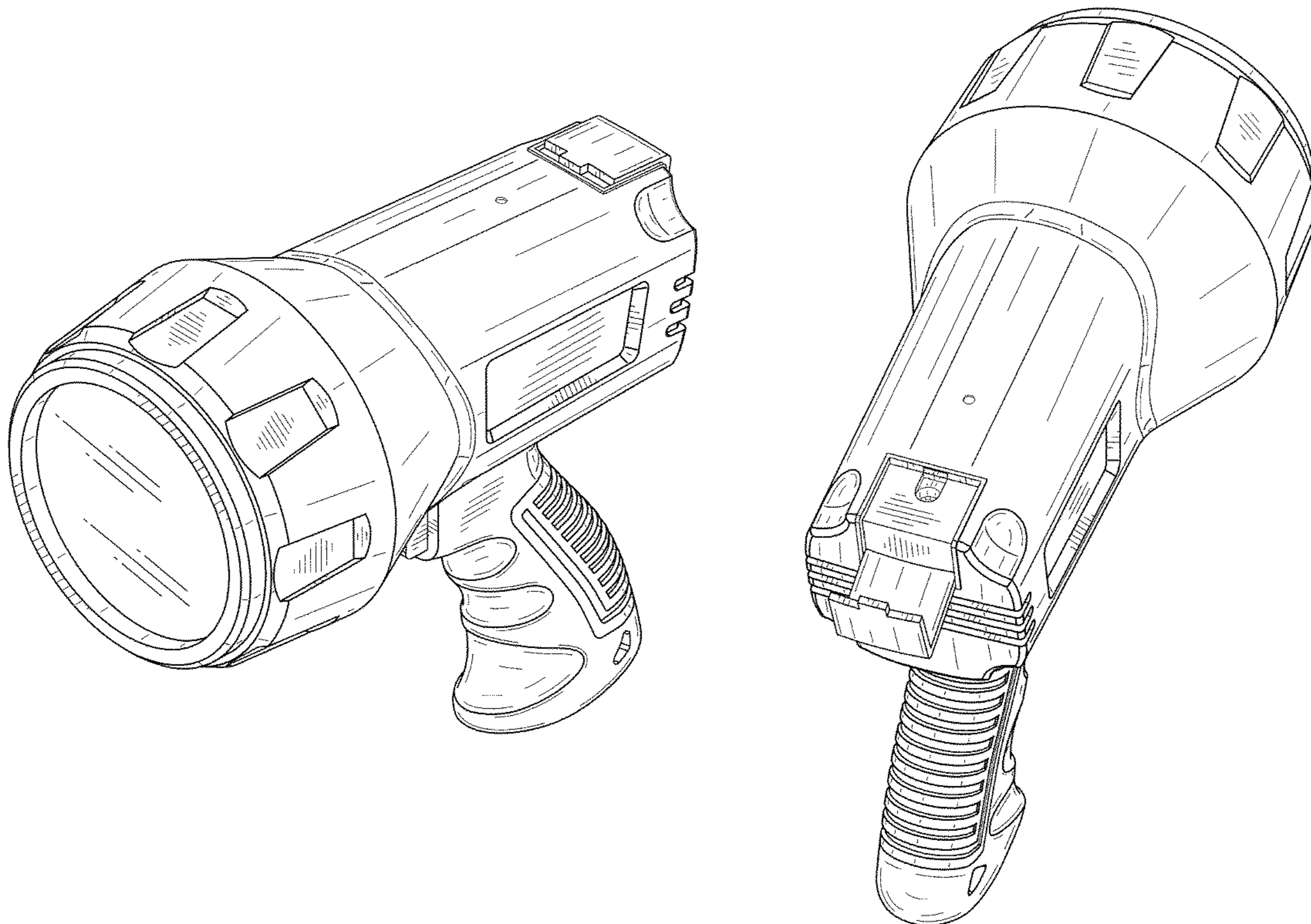
(57) **CLAIM**

I claim the ornamental design for a spotlight, as shown and described.

DESCRIPTION

FIG. 1 is a top perspective view of the spotlight showing my new design, with the rear panel in a closed position;
FIG. 2 is a bottom perspective view thereof.
FIG. 3 is a top view thereof.
FIG. 4 is a bottom view thereof.
FIG. 5 is a right side view thereof.
FIG. 6 is a front view thereof.
FIG. 7 is a back view thereof.
FIG. 8 is a top perspective view thereof, with the rear panel open, and charger exposed; and,
FIG. 9 is a perspective view thereof, with the rear panel open, and charger exposed.

1 Claim, 9 Drawing Sheets



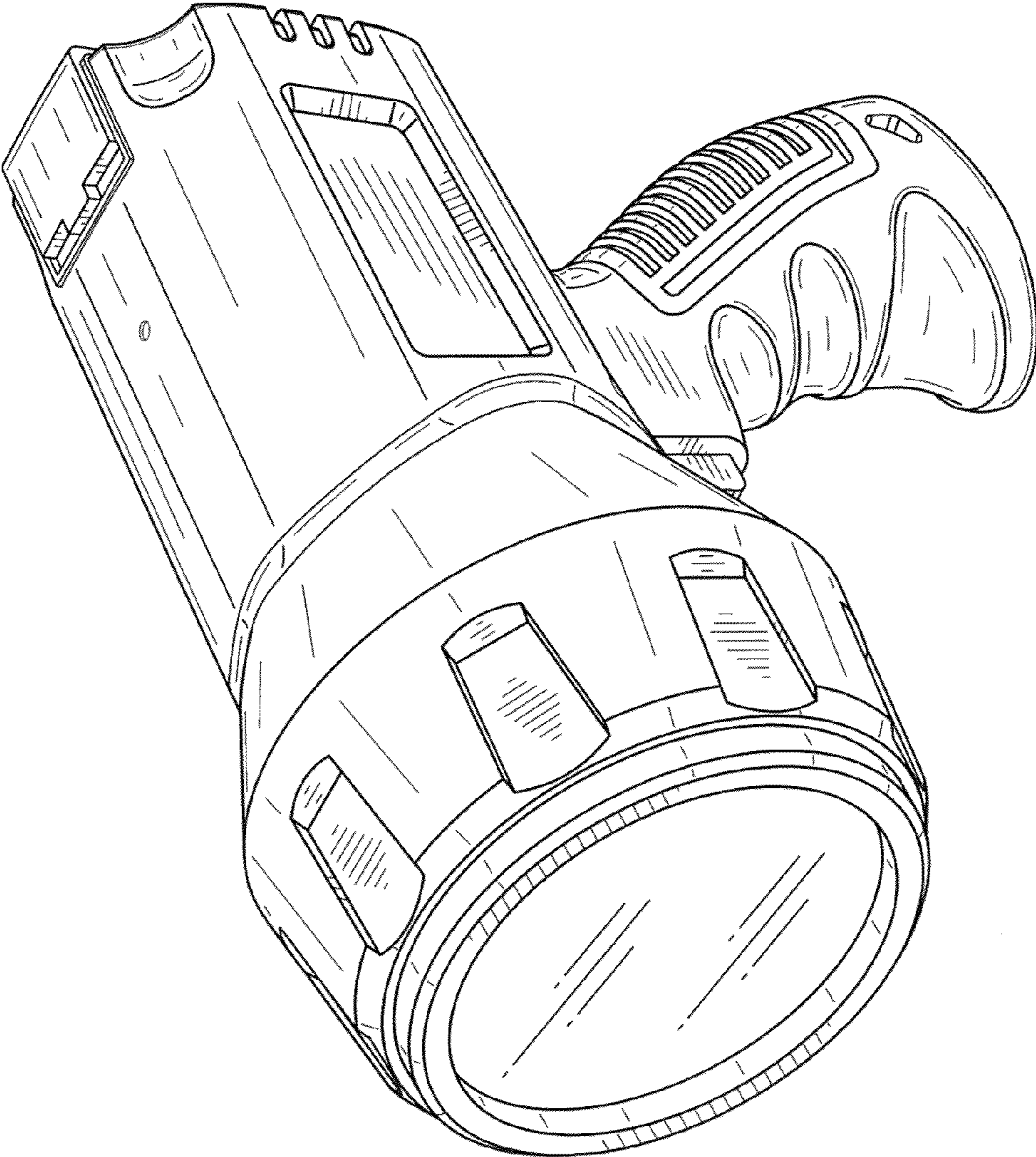


FIG. 1

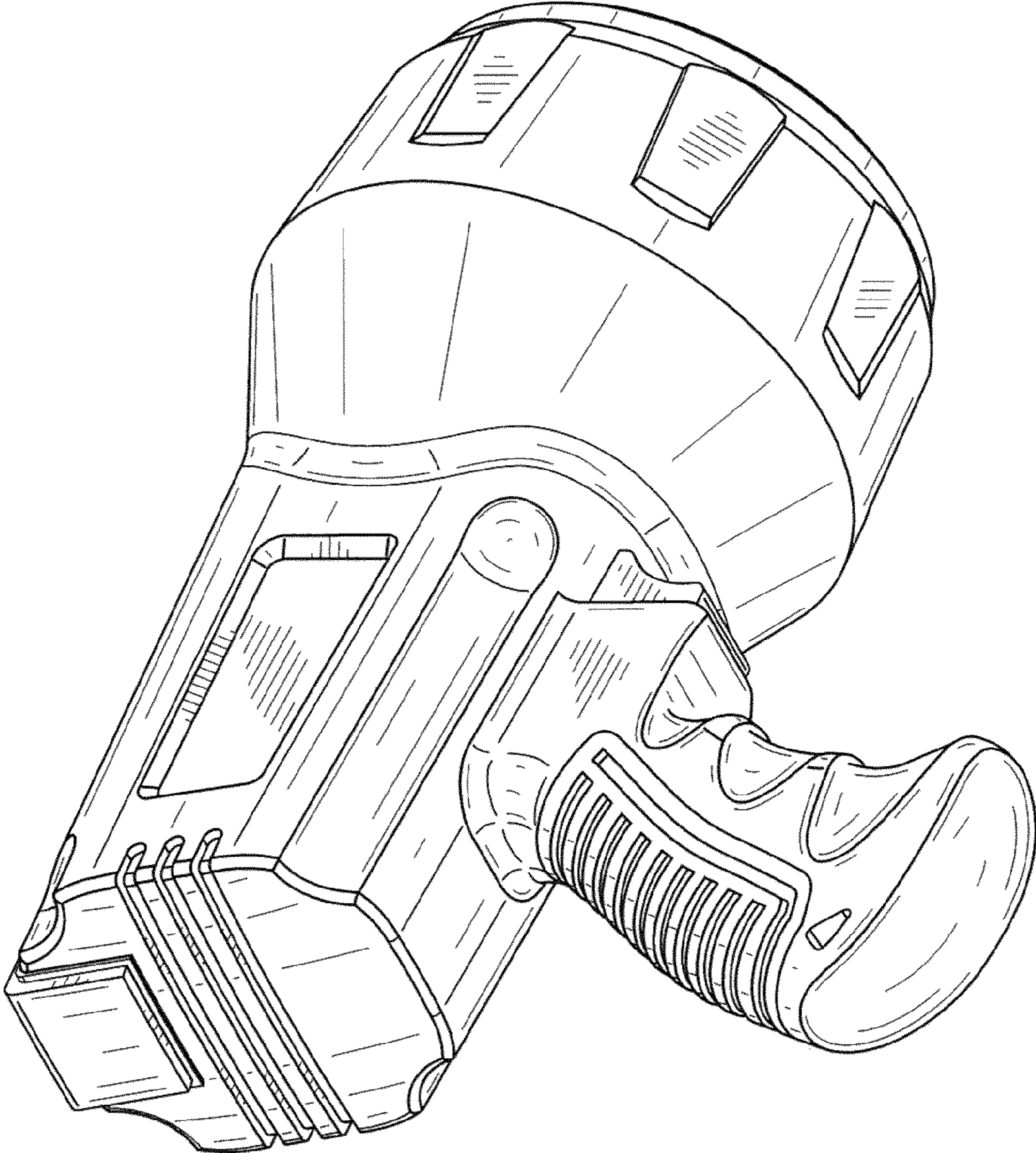


FIG. 2

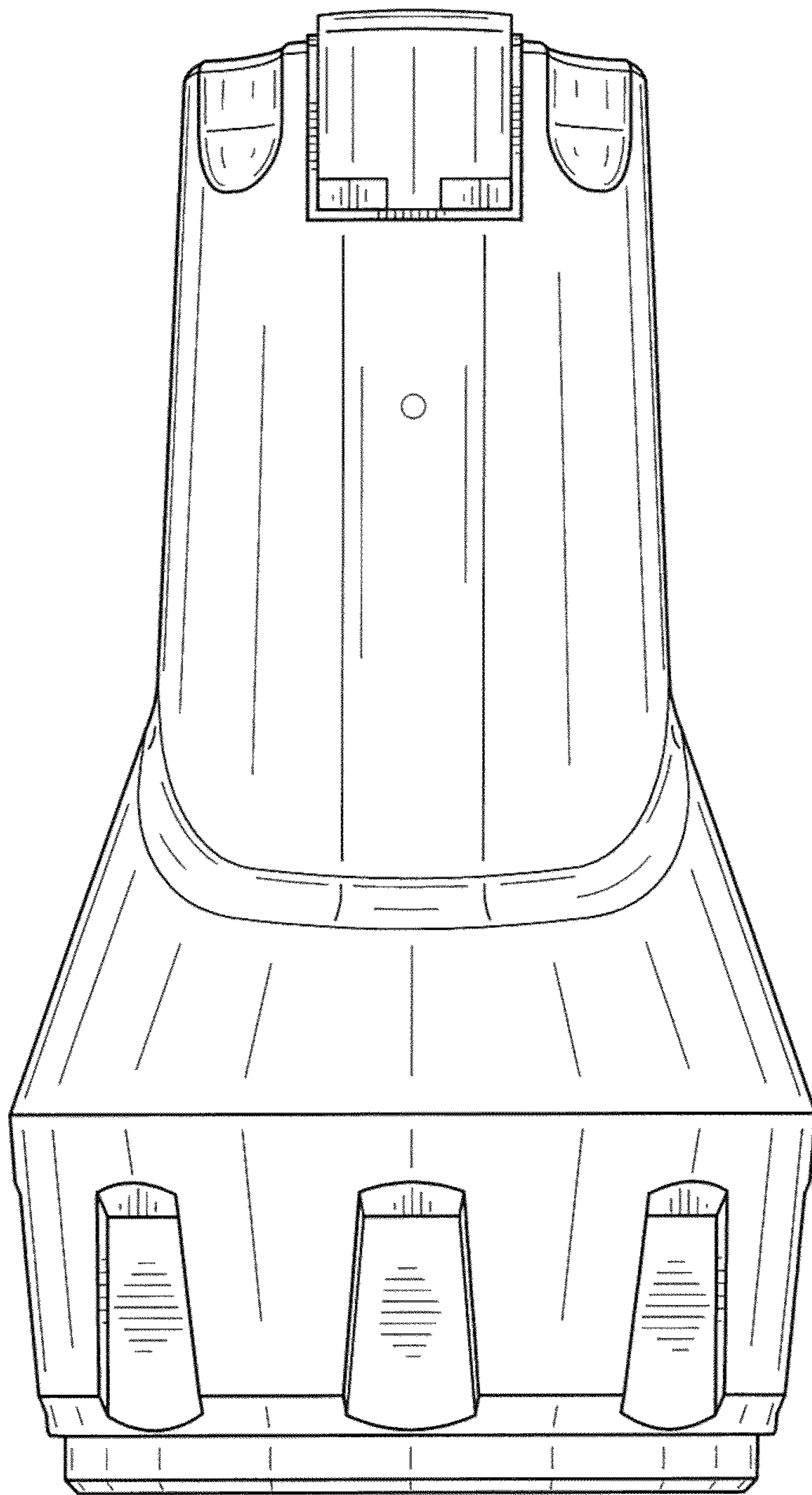


FIG. 3

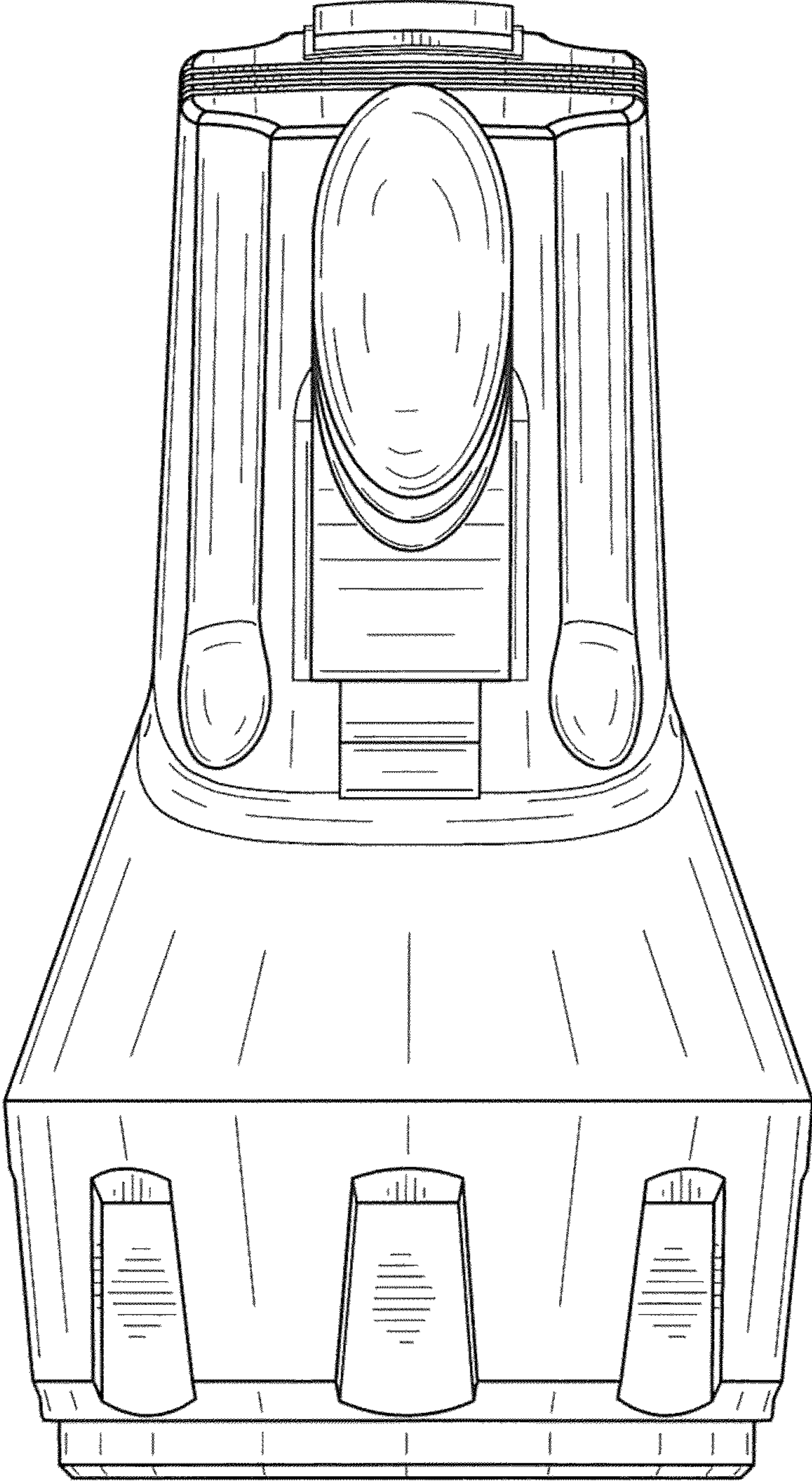


FIG. 4

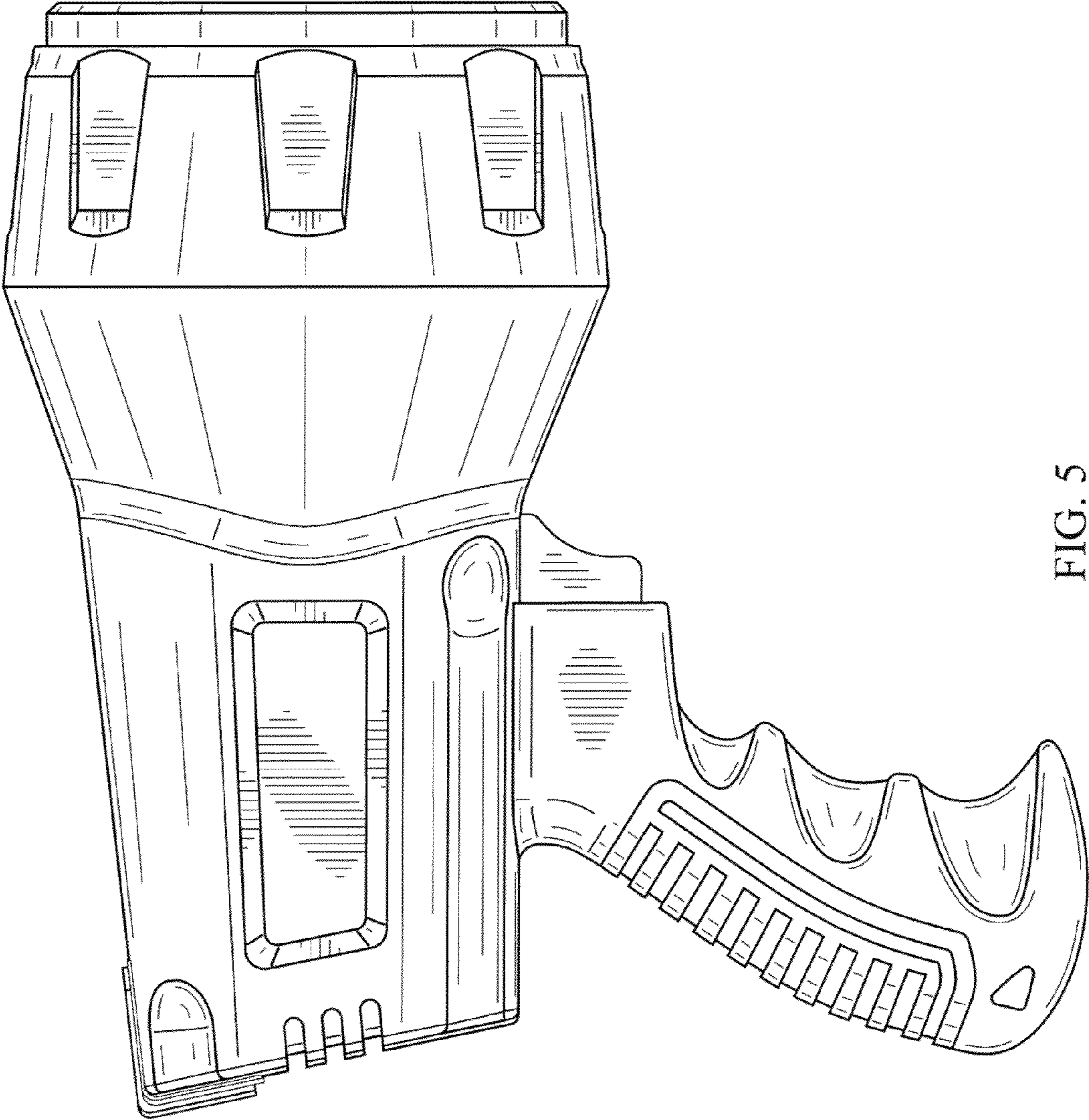


FIG. 5

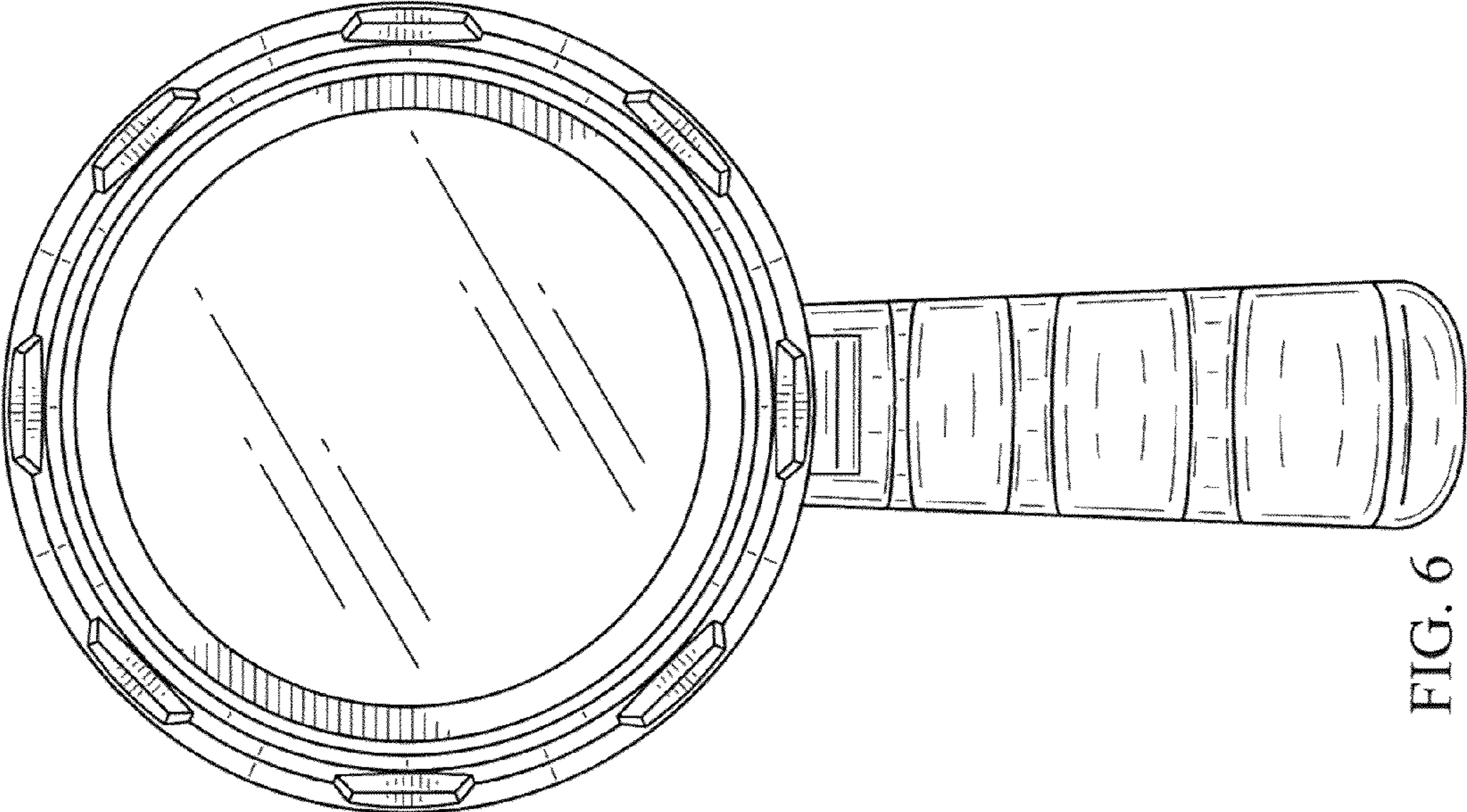


FIG. 6

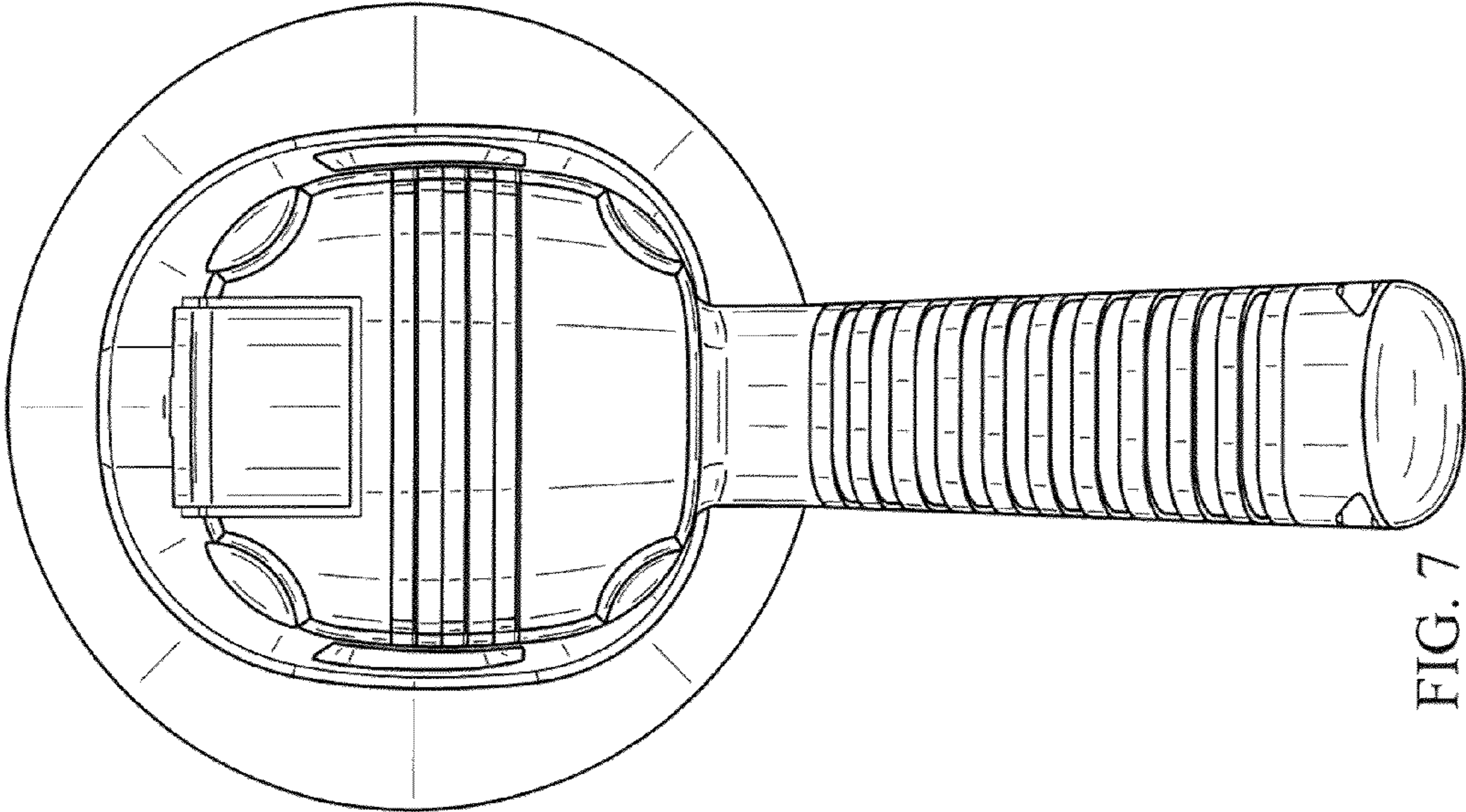


FIG. 7

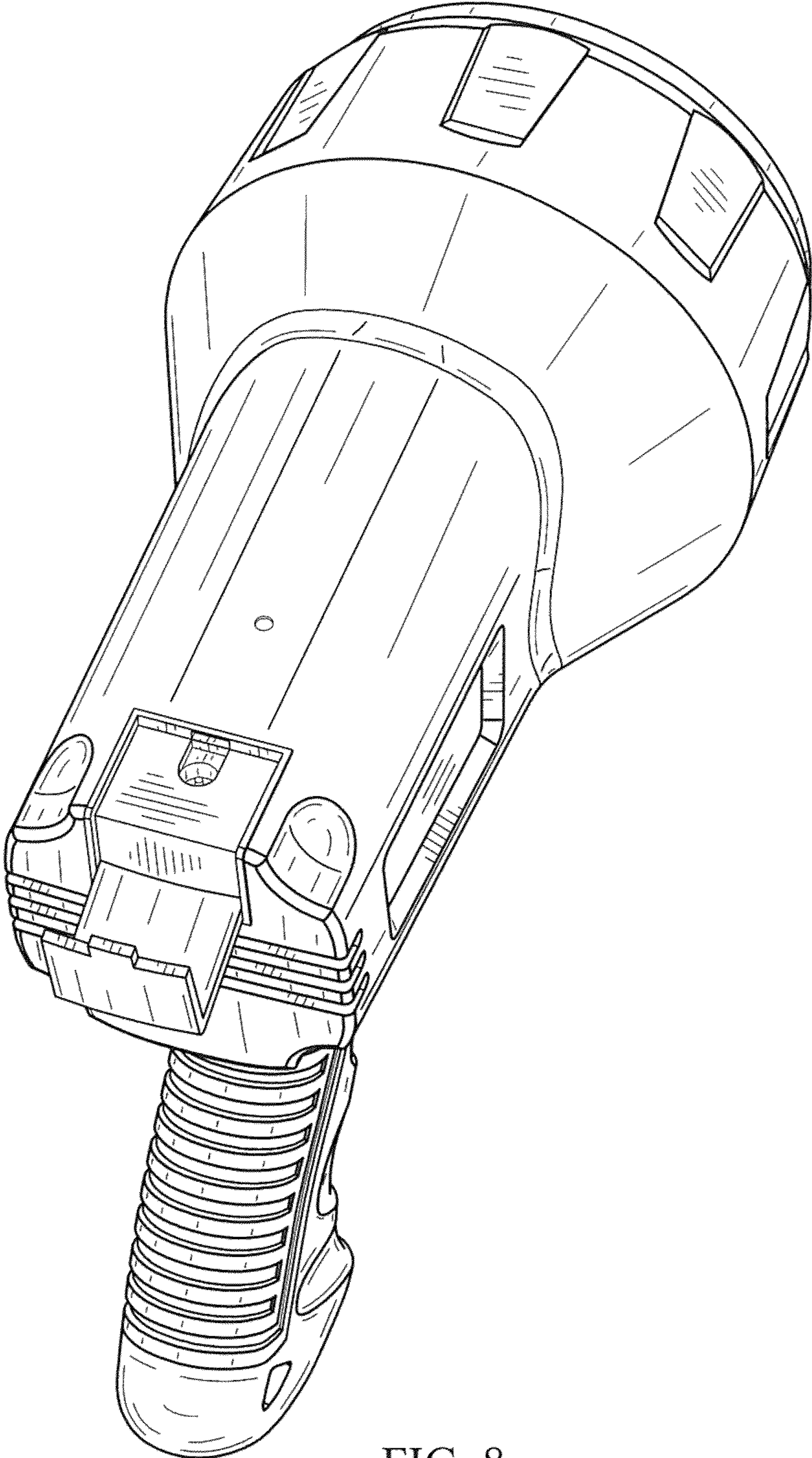


FIG. 8

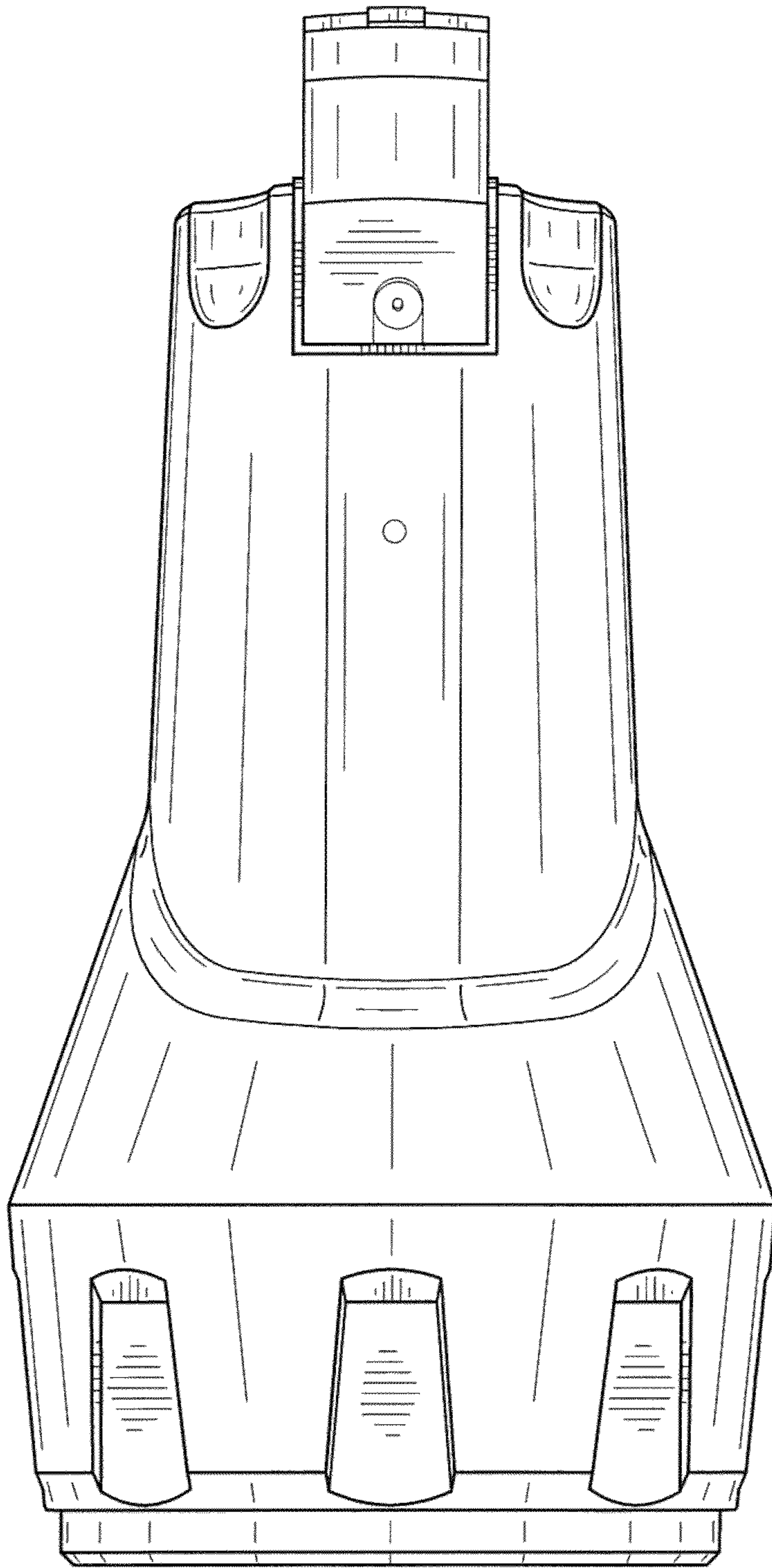


FIG. 9