



US00D754379S

(12) **United States Design Patent**  
**Green**

(10) **Patent No.:** **US D754,379 S**

(45) **Date of Patent:** **\*\* Apr. 19, 2016**

(54) **LANTERN**

(71) Applicant: **Homer TLC, Inc.**, Wilmington, DE  
(US)

(72) Inventor: **Adam Green**, Atlanta, GA (US)

(73) Assignee: **Home Depot Product Authority, LLC**,  
Atlanta, GA (US)

(\*\*) Term: **14 Years**

(21) Appl. No.: **29/500,255**

(22) Filed: **Aug. 22, 2014**

(51) **LOC (10) Cl.** ..... **26-02**

(52) **U.S. Cl.**  
USPC ..... **D26/40; D26/113**

(58) **Field of Classification Search**  
USPC ..... D26/37-51, 56-60, 67, 113;  
362/103-105, 184, 194-196, 202-206  
CPC ..... F21L 4/00; F21L 4/022; F21L 4/025;  
F21L 4/027; F21L 7/00; F21L 19/00; F21V  
21/084; F21V 21/0085; F21W 2111/10  
See application file for complete search history.

(56) **References Cited**

**U.S. PATENT DOCUMENTS**

D354,150 S \* 1/1995 Porter ..... D26/113  
D470,618 S \* 2/2003 Kuelbs ..... D26/113  
D482,156 S \* 11/2003 Kuelbs ..... D26/113

D535,771 S \* 1/2007 Shiu ..... D26/40  
D548,864 S \* 8/2007 Lee ..... D26/38  
D553,774 S \* 10/2007 Leung ..... D26/40  
D608,920 S \* 1/2010 Loibl ..... D26/40

**OTHER PUBLICATIONS**

Images of RAYOVAC Indestructible 2 AA Flashlight, DIY2AA-B,  
publicly available prior to Aug. 22, 2014.

\* cited by examiner

*Primary Examiner* — Sandra Morris

(74) *Attorney, Agent, or Firm* — Greenberg Traurig, LLP

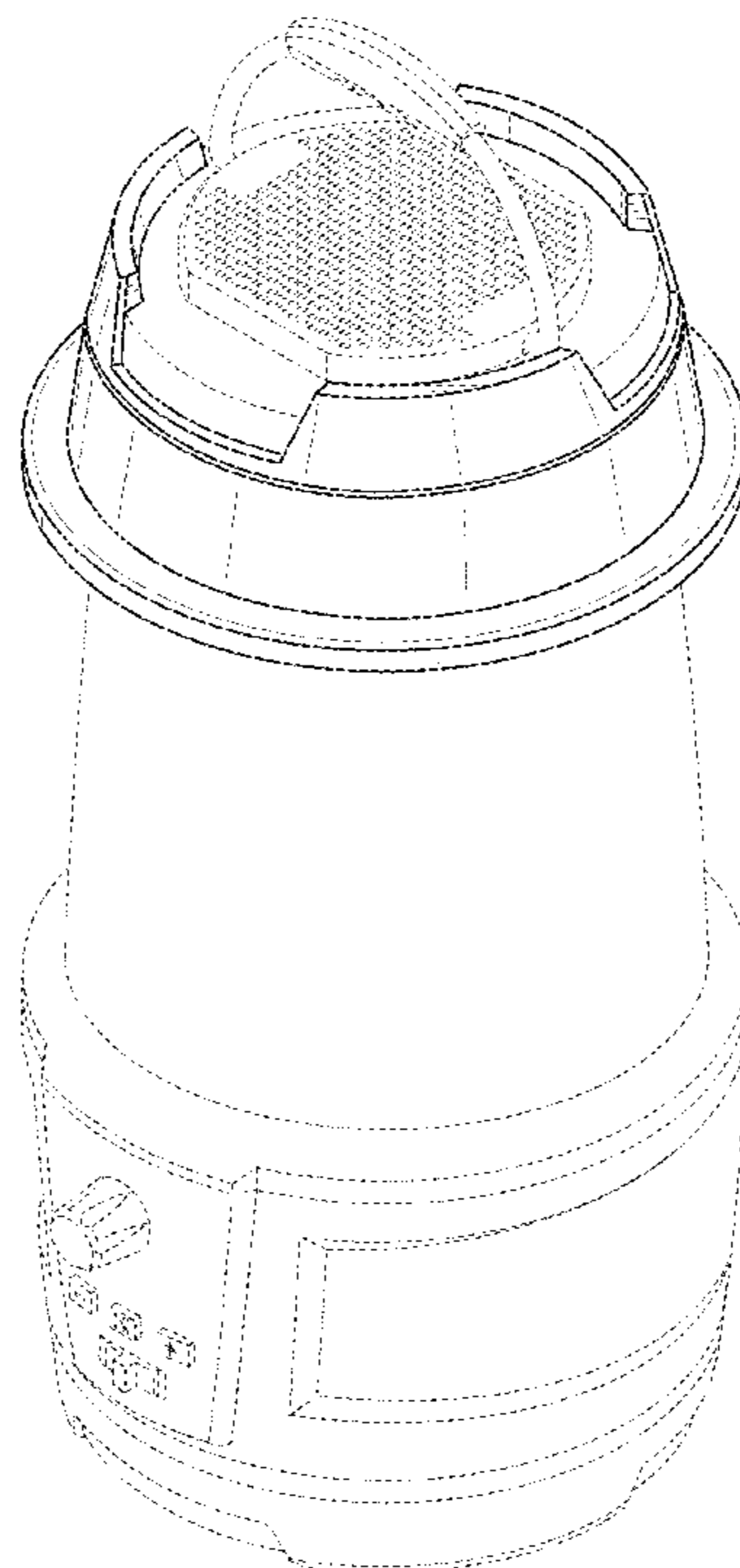
(57) **CLAIM**

The ornamental design for a lantern, as shown and described.

**DESCRIPTION**

FIG. 1 is a perspective view of my lantern;  
FIG. 2 is front view thereof;  
FIG. 3 is a left side view thereof, the right side being a mirror  
image thereof;  
FIG. 4 is a back view thereof; and,  
FIG. 5 is a top view thereof.  
The dashed lines in the figures form no part of the claimed  
design. All other surface(s) or portion(s) of my lantern not  
shown in the figures or otherwise described in the specifica-  
tion.

**1 Claim, 5 Drawing Sheets**



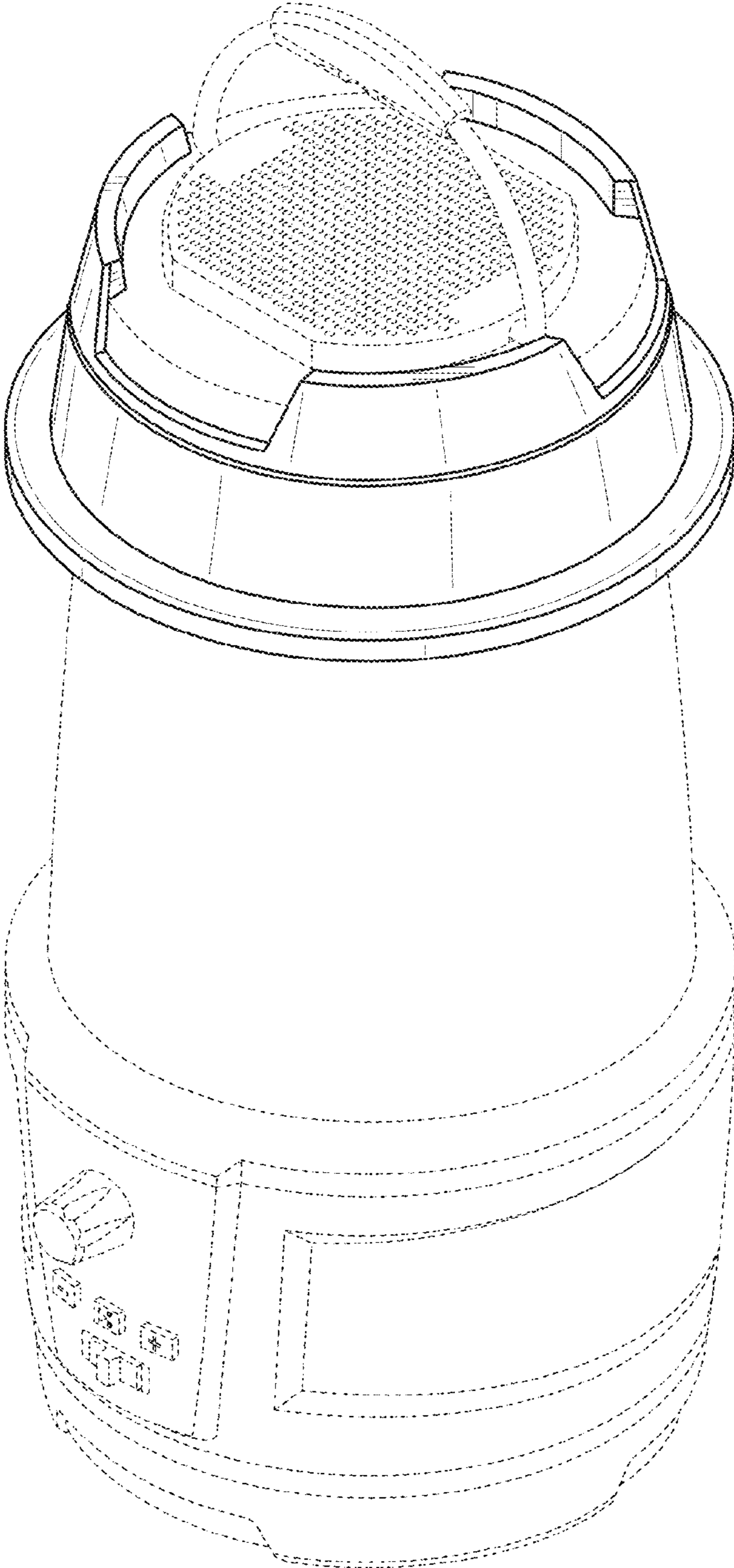


FIG. 1

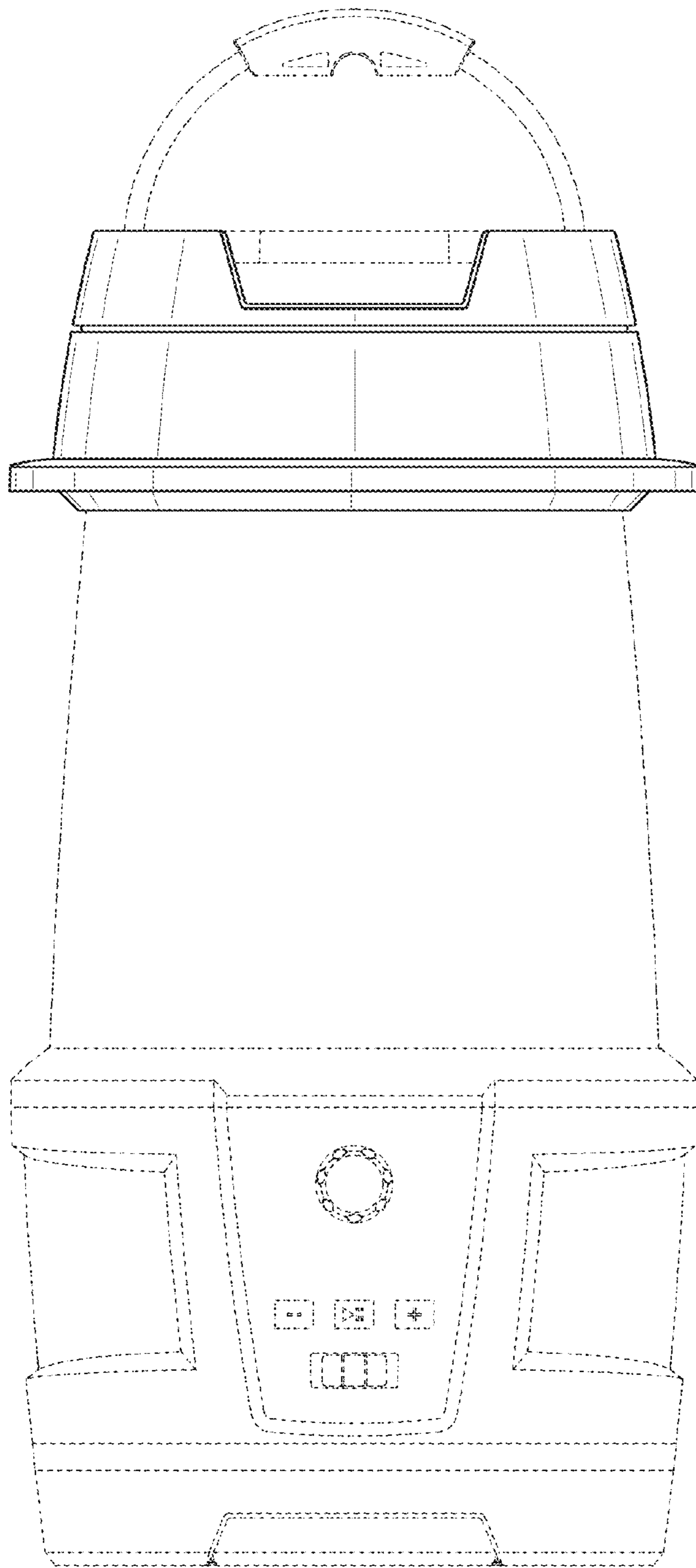


FIG. 2

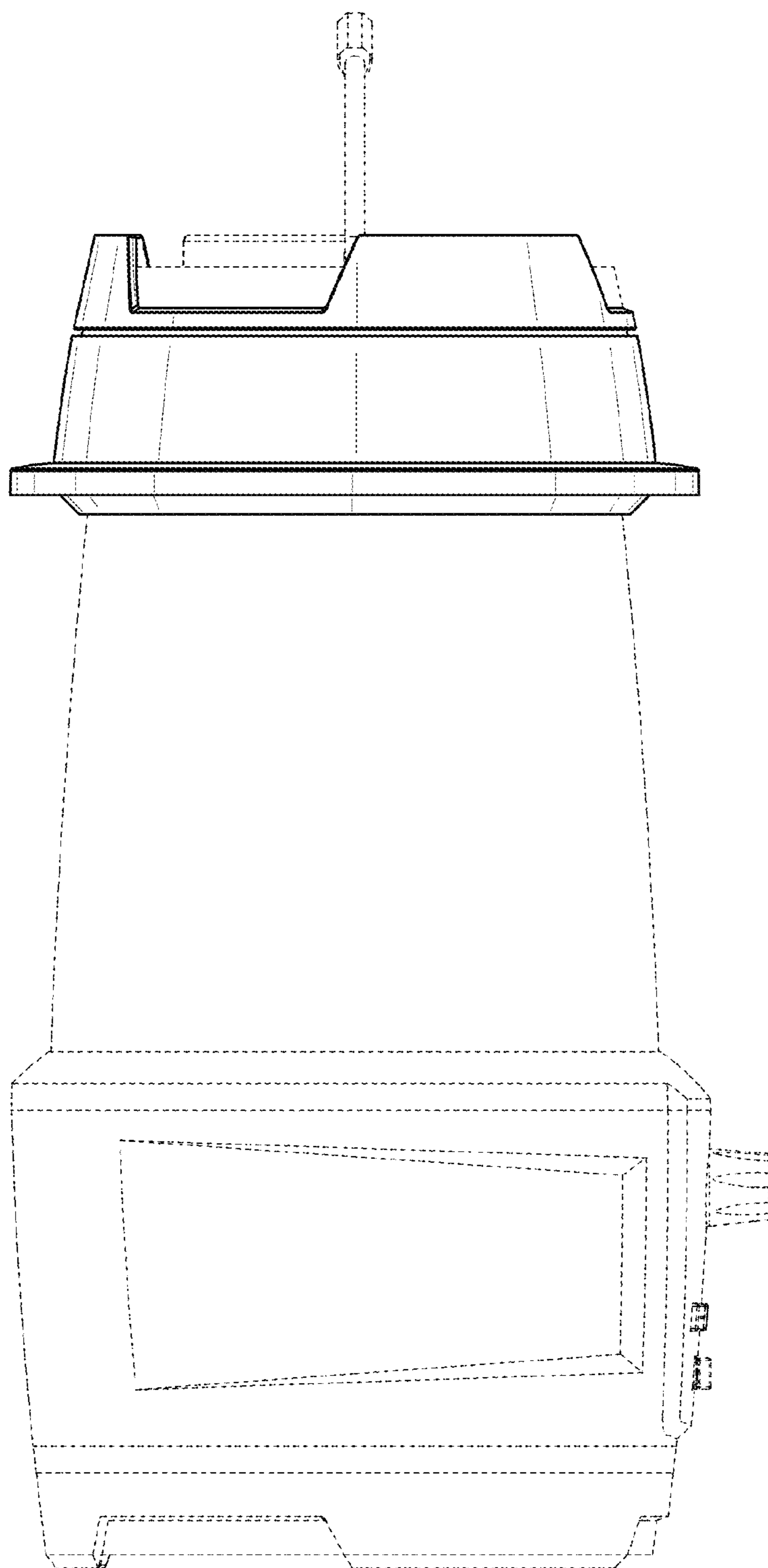


FIG. 3

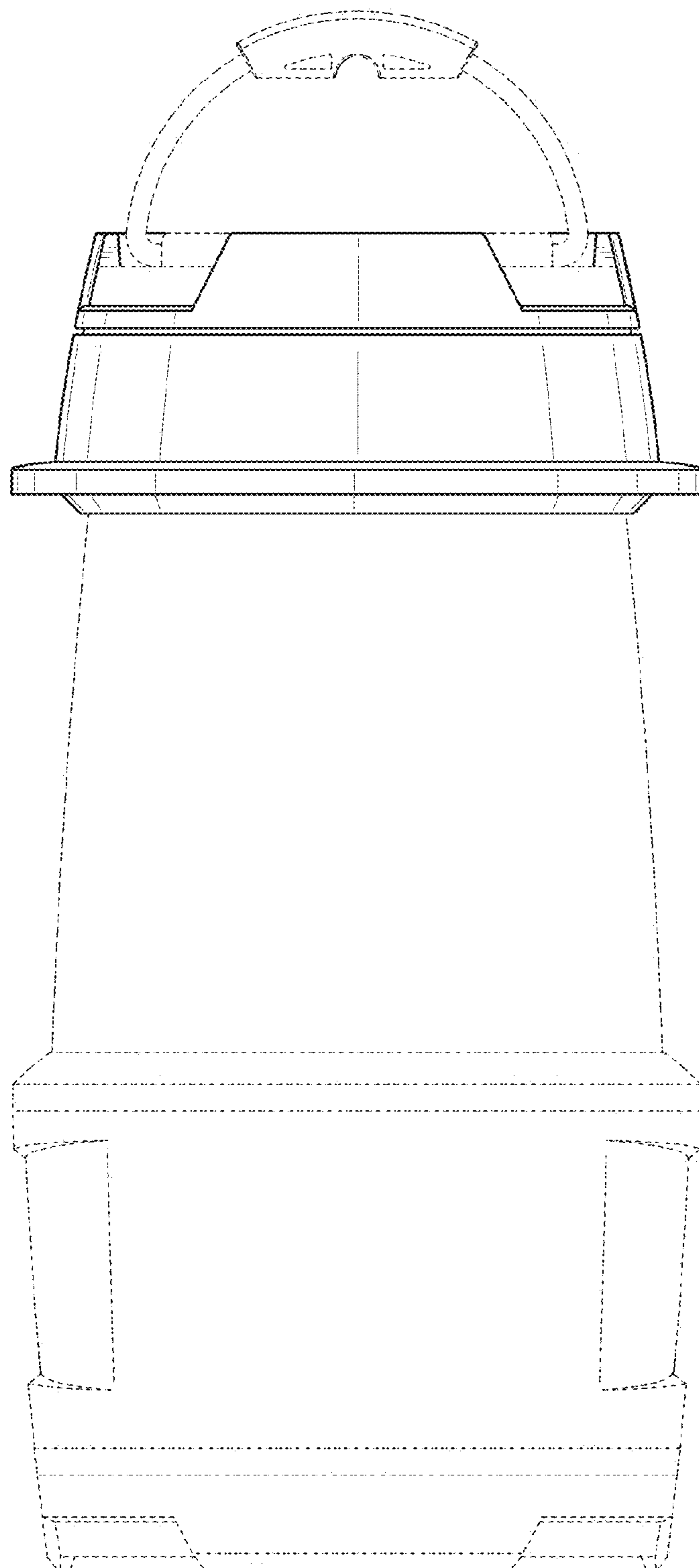


FIG. 4



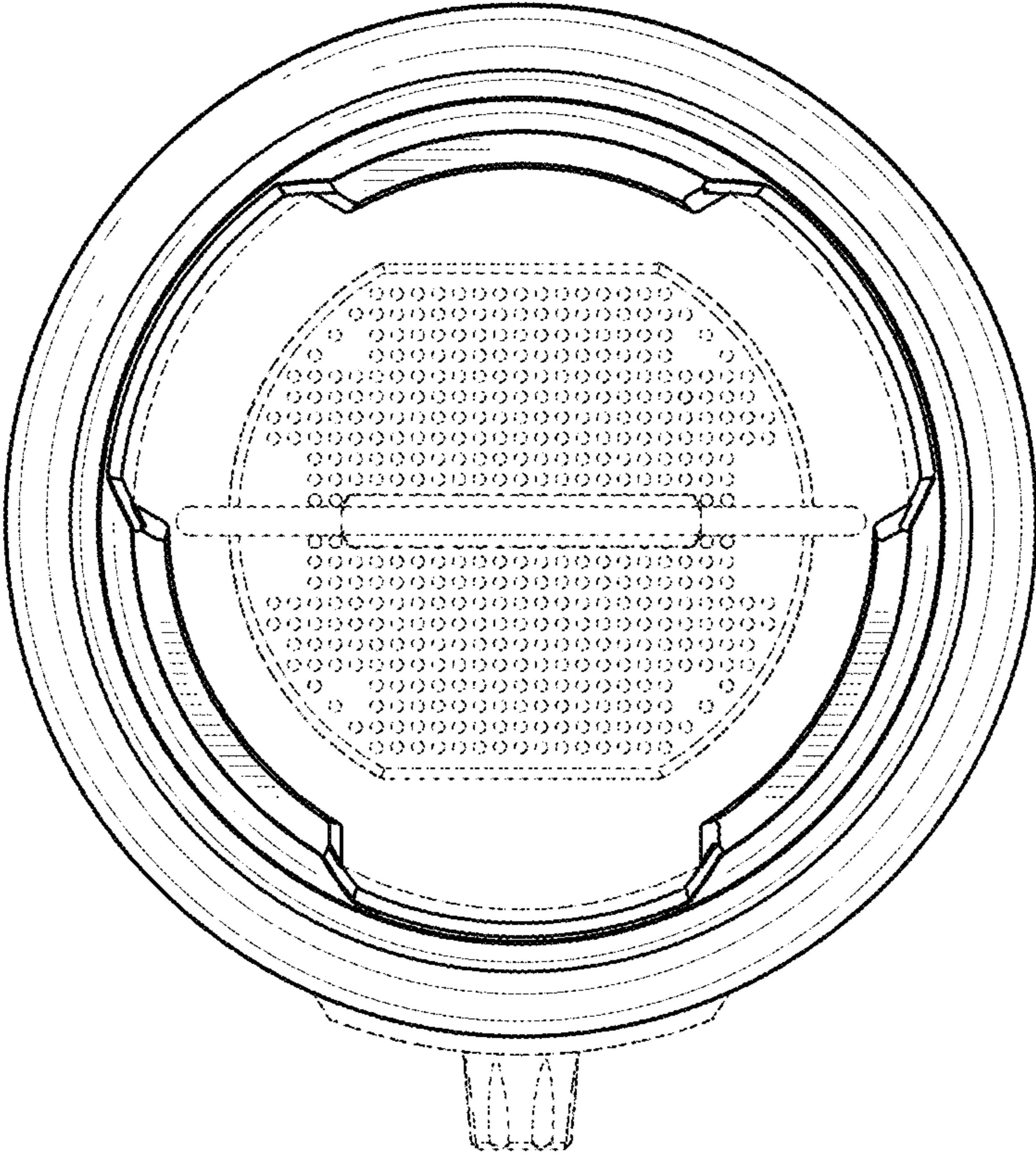


FIG. 5