



US00D754377S

(12) **United States Design Patent**
Nook et al.

(10) **Patent No.:** **US D754,377 S**
(45) **Date of Patent:** **** Apr. 19, 2016**

(54) **COMBINATION FLASHLIGHT AND CHARGER**

(71) Applicant: **THE NOCO COMPANY**, Glenwillow, OH (US)

(72) Inventors: **Jonathan Lewis Nook**, Gates Mills, OH (US); **William Knight Nook, Sr.**, Shaker Heights, OH (US); **James Richard Stanfield**, Peoria, AZ (US); **Derek Michael Underhill**, Tempe, AZ (US)

(73) Assignee: **THE NOCO COMPANY**, Glenwillow, OH (US)

(**) Term: **14 Years**

(21) Appl. No.: **29/487,471**

(22) Filed: **Apr. 9, 2014**

(51) **LOC (10) Cl.** **26-02**

(52) **U.S. Cl.**
USPC **D26/38; D26/37**

(58) **Field of Classification Search**
USPC D26/37-51, 56-60, 67; 362/103-105, 362/184, 194-196, 202-206; D22/117; D13/108
CPC F21L 4/00; F21L 4/005; F21L 4/022; F21L 4/025; F21L 4/027; F21L 7/00; F21L 19/00; F21V 21/084; F21V 21/0085; F21W 2111/10
See application file for complete search history.

(56) **References Cited**

U.S. PATENT DOCUMENTS

D349,432 S *	8/1994	Kibbe	D26/38
D466,636 S *	12/2002	Chun	D26/37
D496,480 S *	9/2004	Slattery	D26/38
D562,480 S *	2/2008	Spartano	D26/37
D581,566 S *	11/2008	Slawson	D26/38

7,568,816 B2 *	8/2009	Brass	G01N 21/31 362/202
D623,322 S *	9/2010	Wallach	D13/108
D631,586 S *	1/2011	Li	D26/37
D645,817 S *	9/2011	Sasada	D13/108
D653,615 S *	2/2012	Au	D13/108
D671,250 S *	11/2012	Schrimmer	D26/38
D686,155 S *	7/2013	Nguyen	D13/103

* cited by examiner

Primary Examiner — Sandra Morris

(74) *Attorney, Agent, or Firm* — Vorys, Sater, Seymour and Pease LLP; William L. Klima

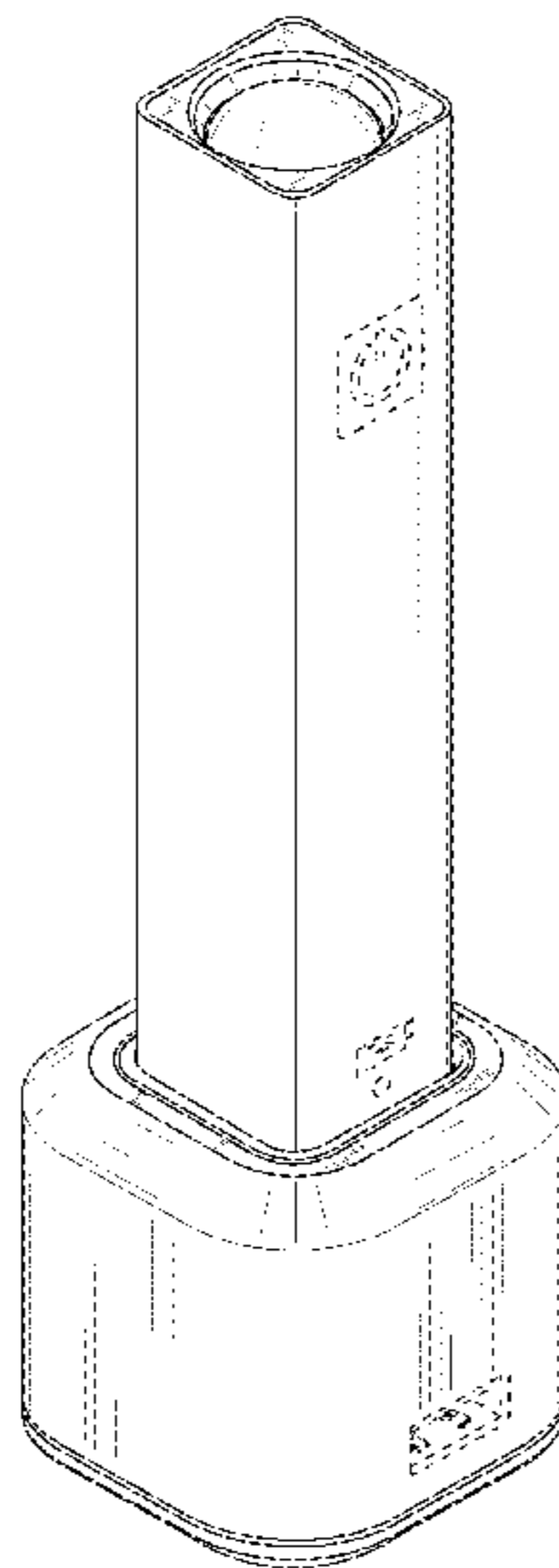
(57) **CLAIM**

The ornamental design for a combination flashlight and charger, as shown and described.

DESCRIPTION

FIG. 1 is a perspective view of the combination flashlight and charger, with the charger removed for ease of illustration; FIG. 2 is a front elevational view thereof; FIG. 3 is a rear elevational view thereof; FIG. 4 is a left-side view thereof view; FIG. 5 is a right-side view thereof; FIG. 6 is a top planar view thereof; and FIG. 7 is a bottom planar view thereof. FIG. 8 is a perspective view of the charger, with the flashlight removed for ease of illustration. FIG. 9 is a front elevational view thereof; FIG. 10 is a rear elevational view thereof; FIG. 11 is a left-side view thereof view; FIG. 12 is a right-side view thereof; FIG. 13 is a top planar view thereof; and, FIG. 14 is a bottom planar view thereof. FIG. 15 is a perspective view of the fully assembled combination flashlight and charger. The broken line showing is for illustrative purposes only, and forms no part of the claimed design.

1 Claim, 9 Drawing Sheets



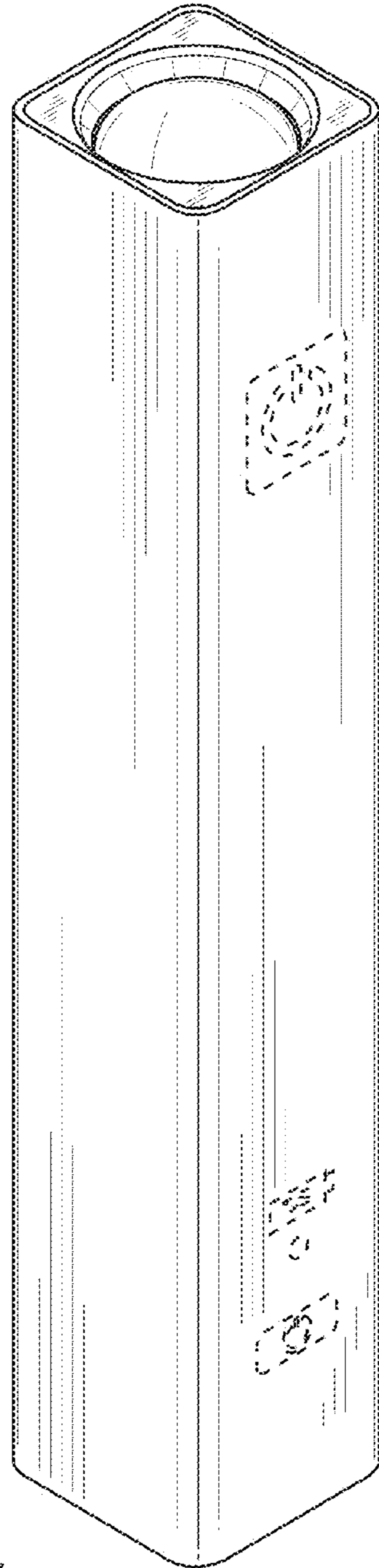


FIG. 1

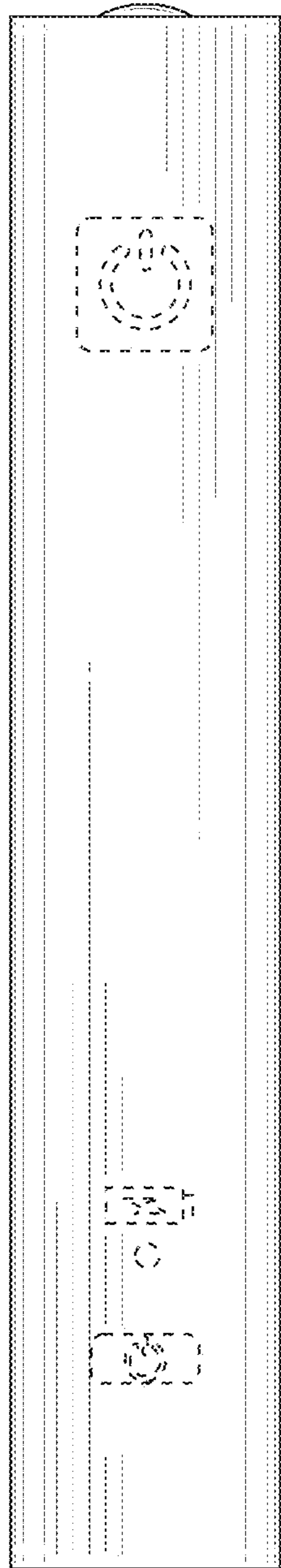


FIG. 2

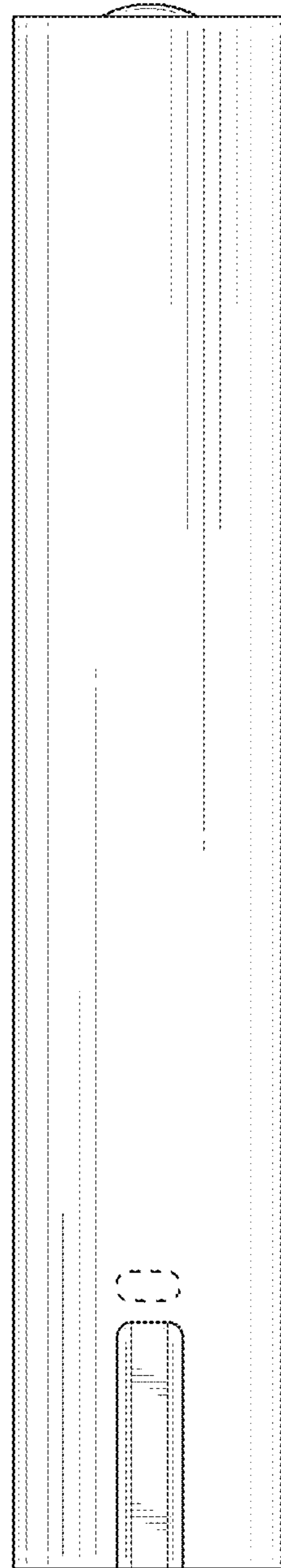


FIG. 3

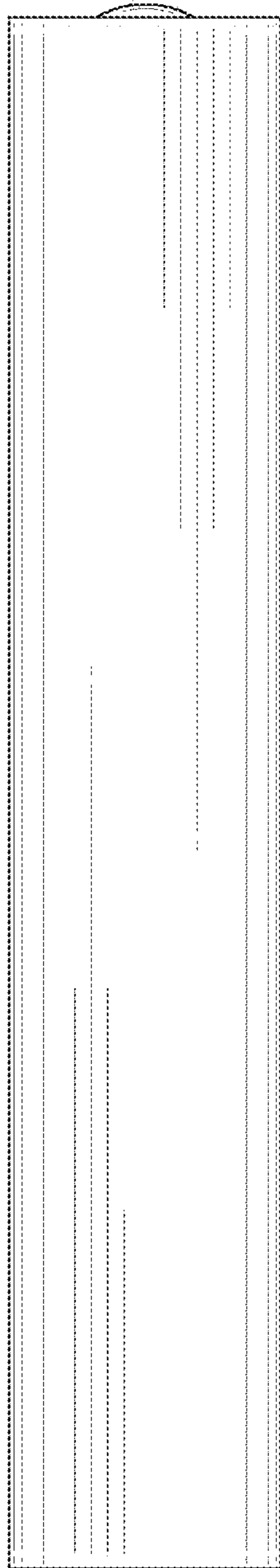


FIG. 4

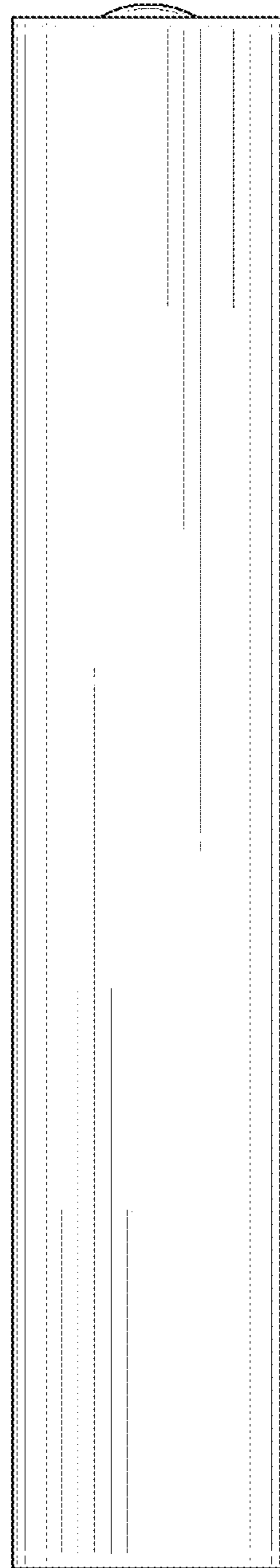


FIG. 5

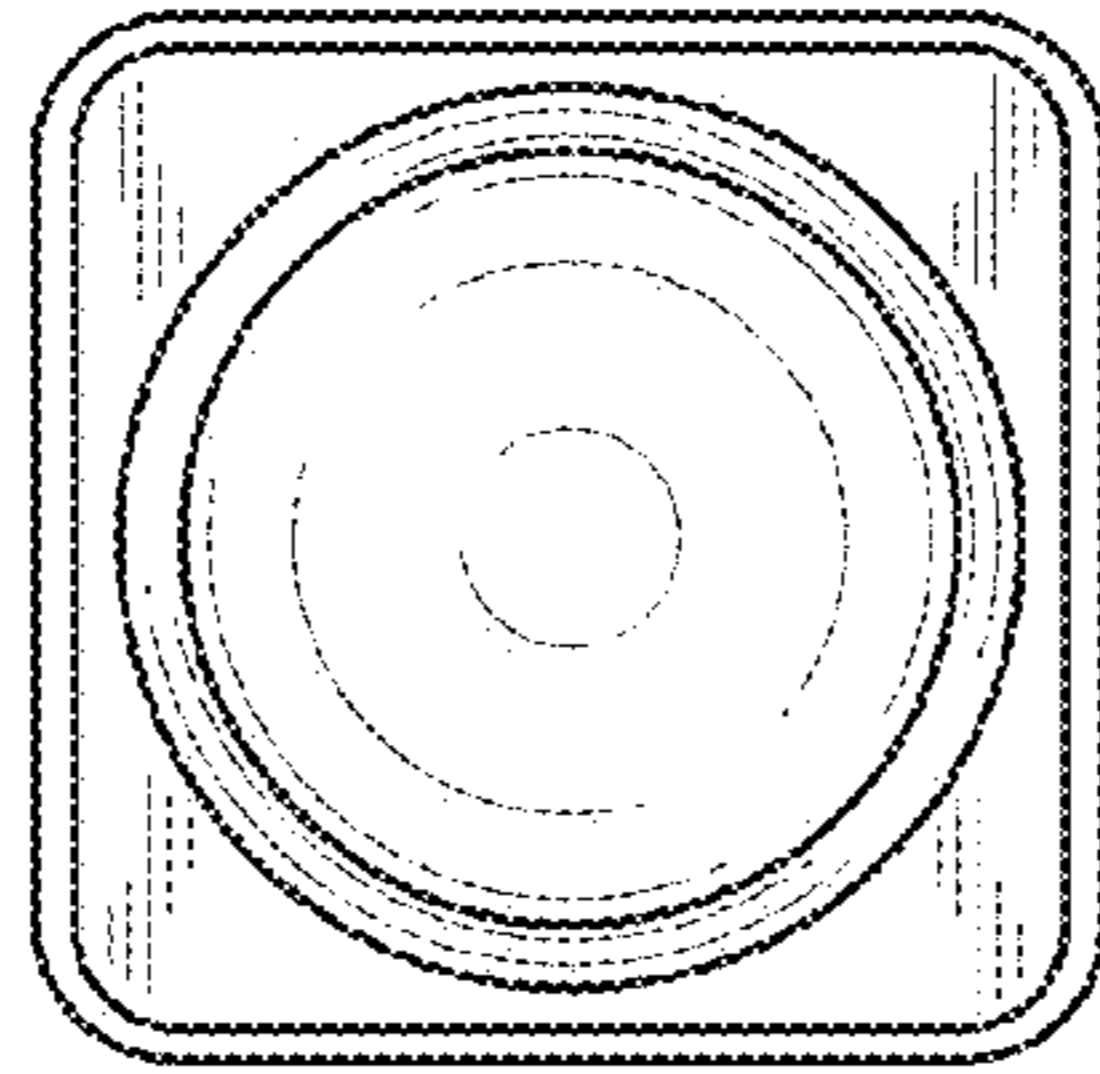


FIG. 6

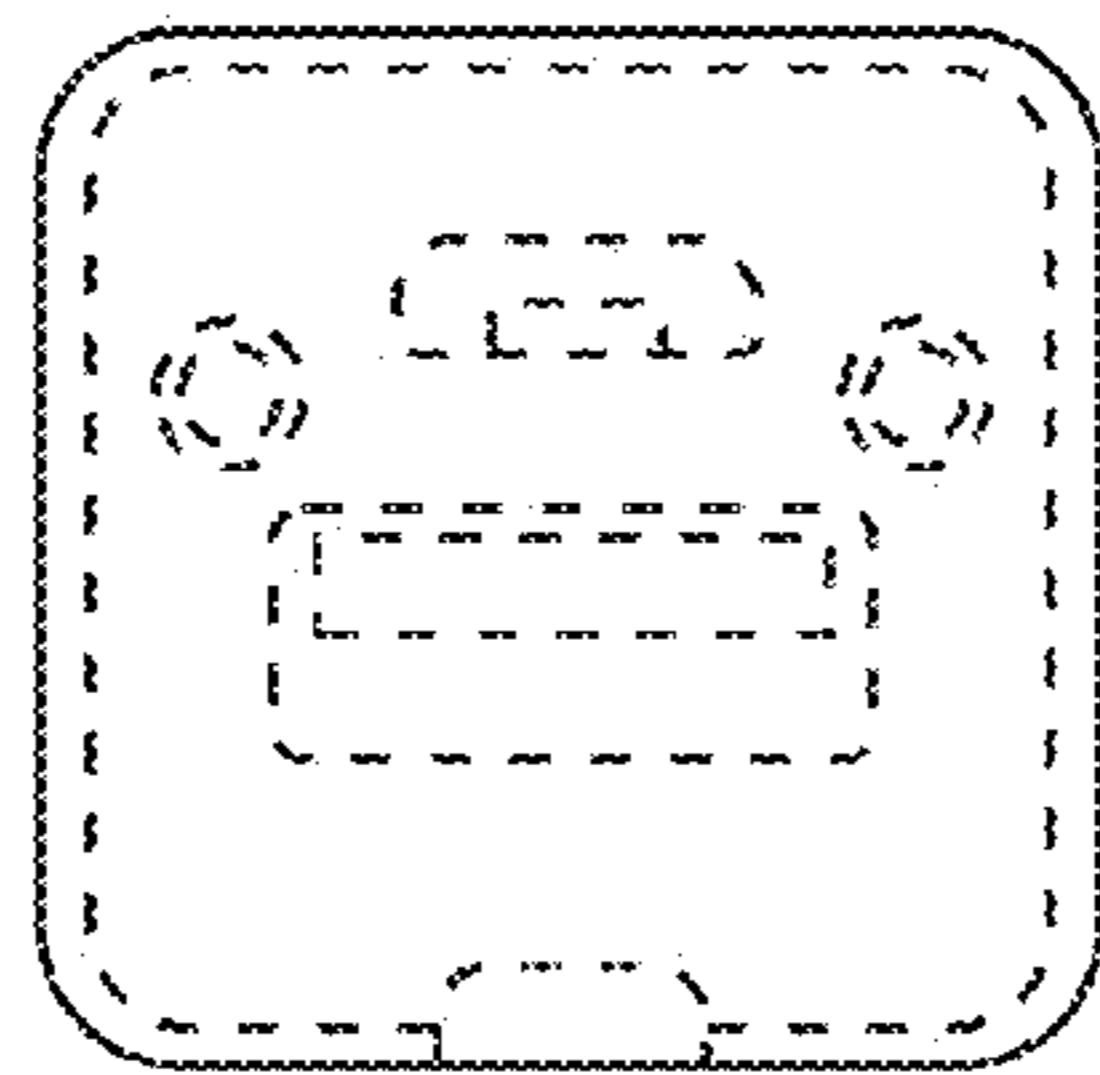


FIG. 7

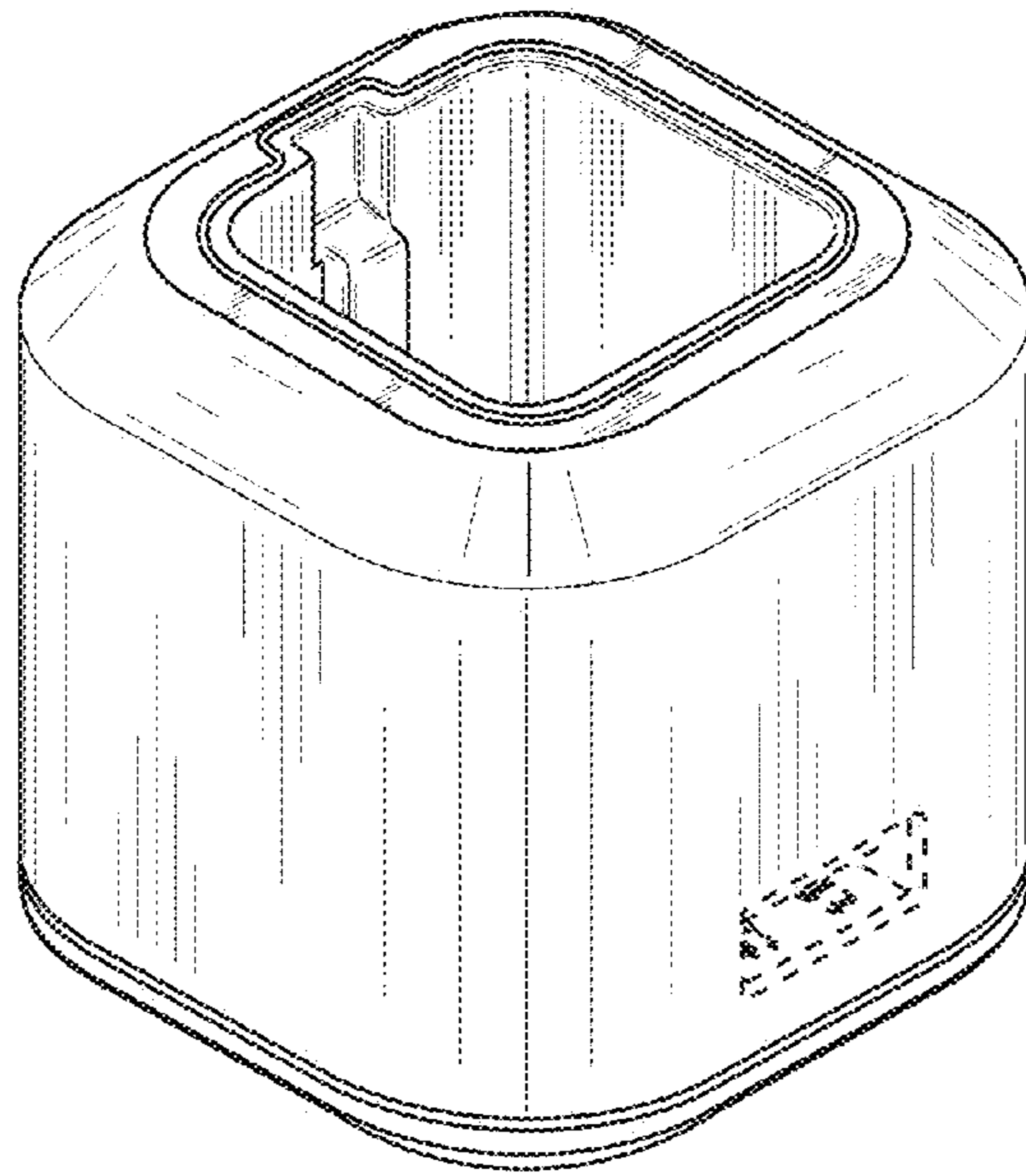


FIG. 8

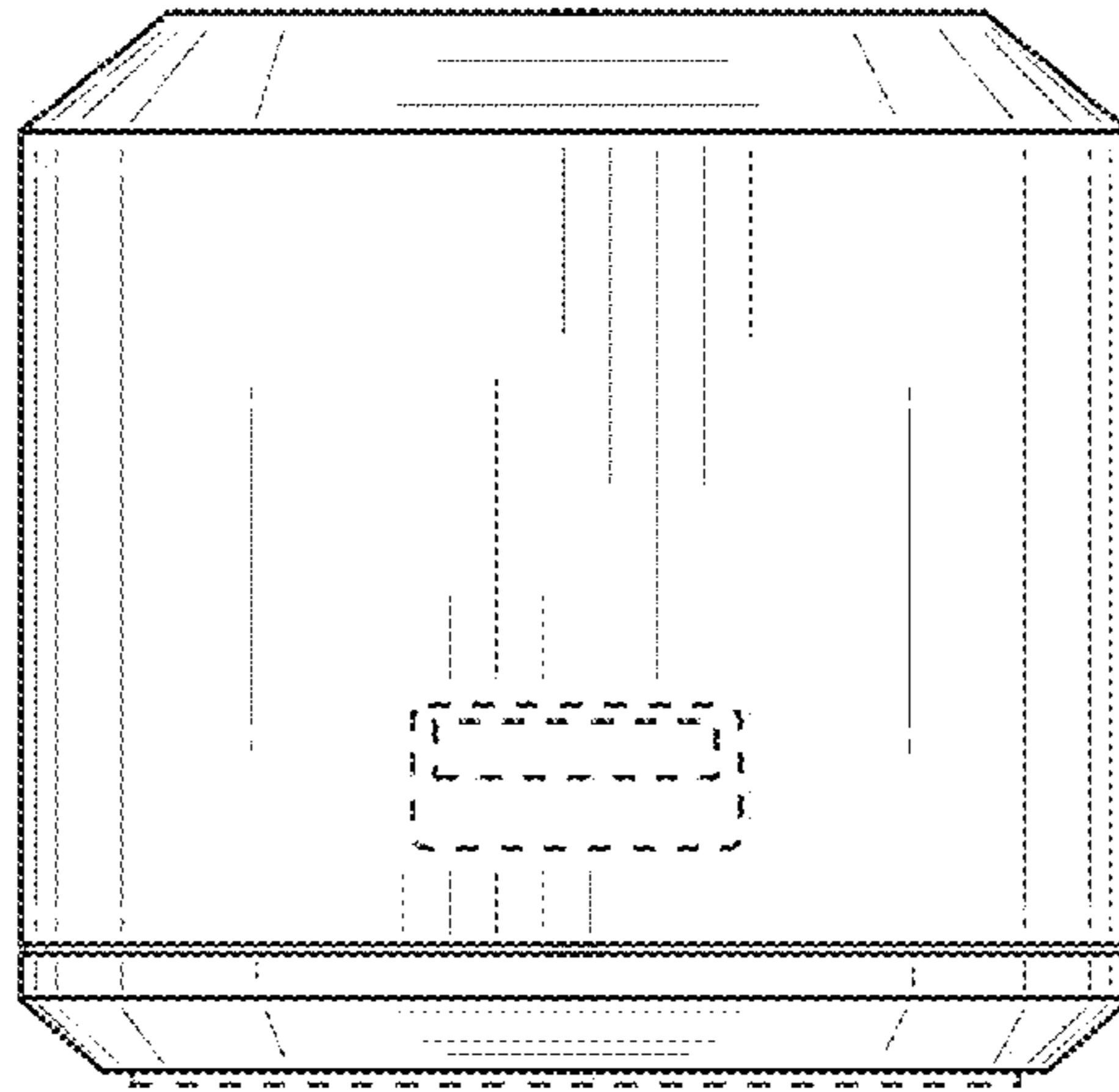


FIG. 9

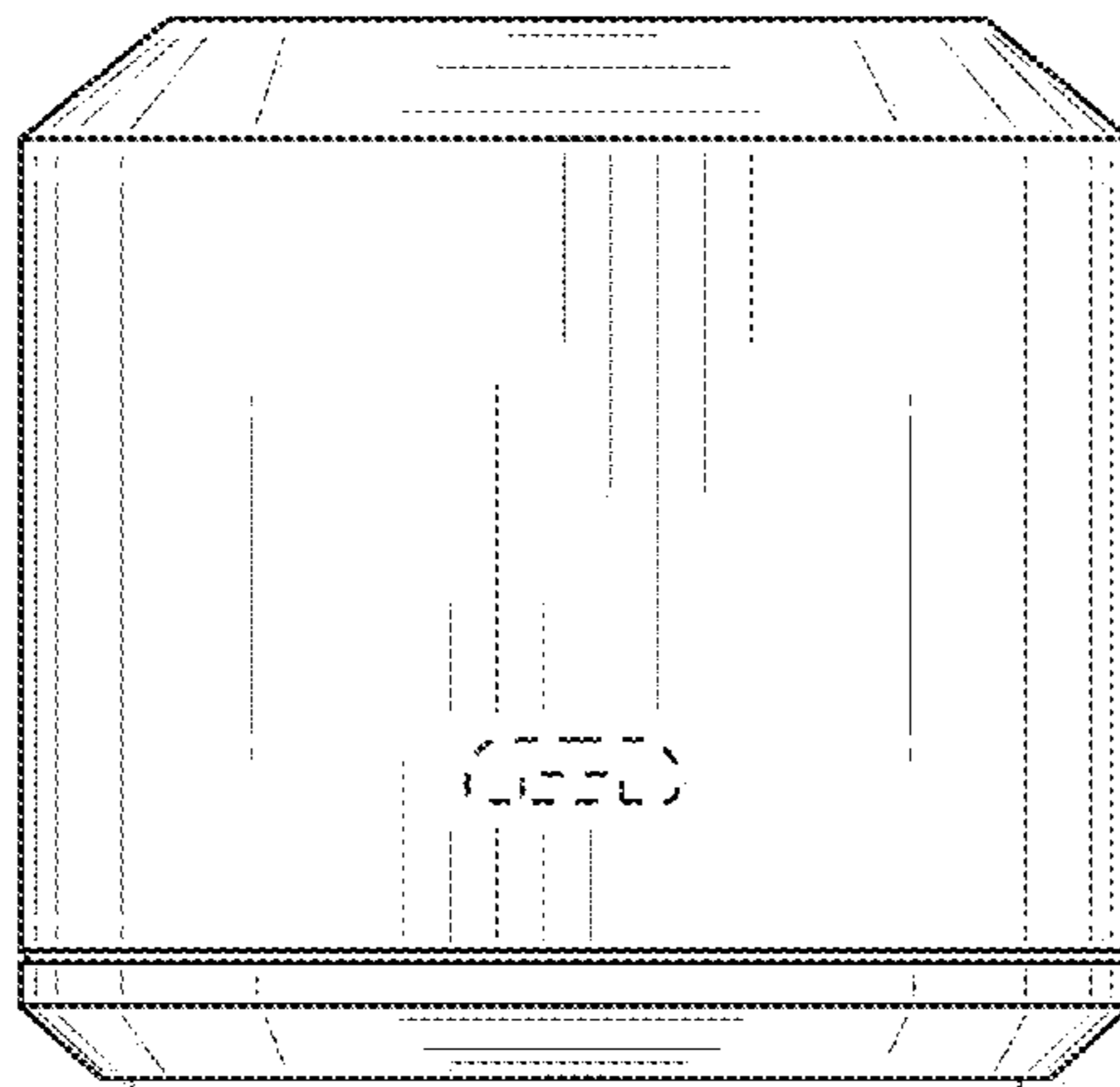


FIG. 10

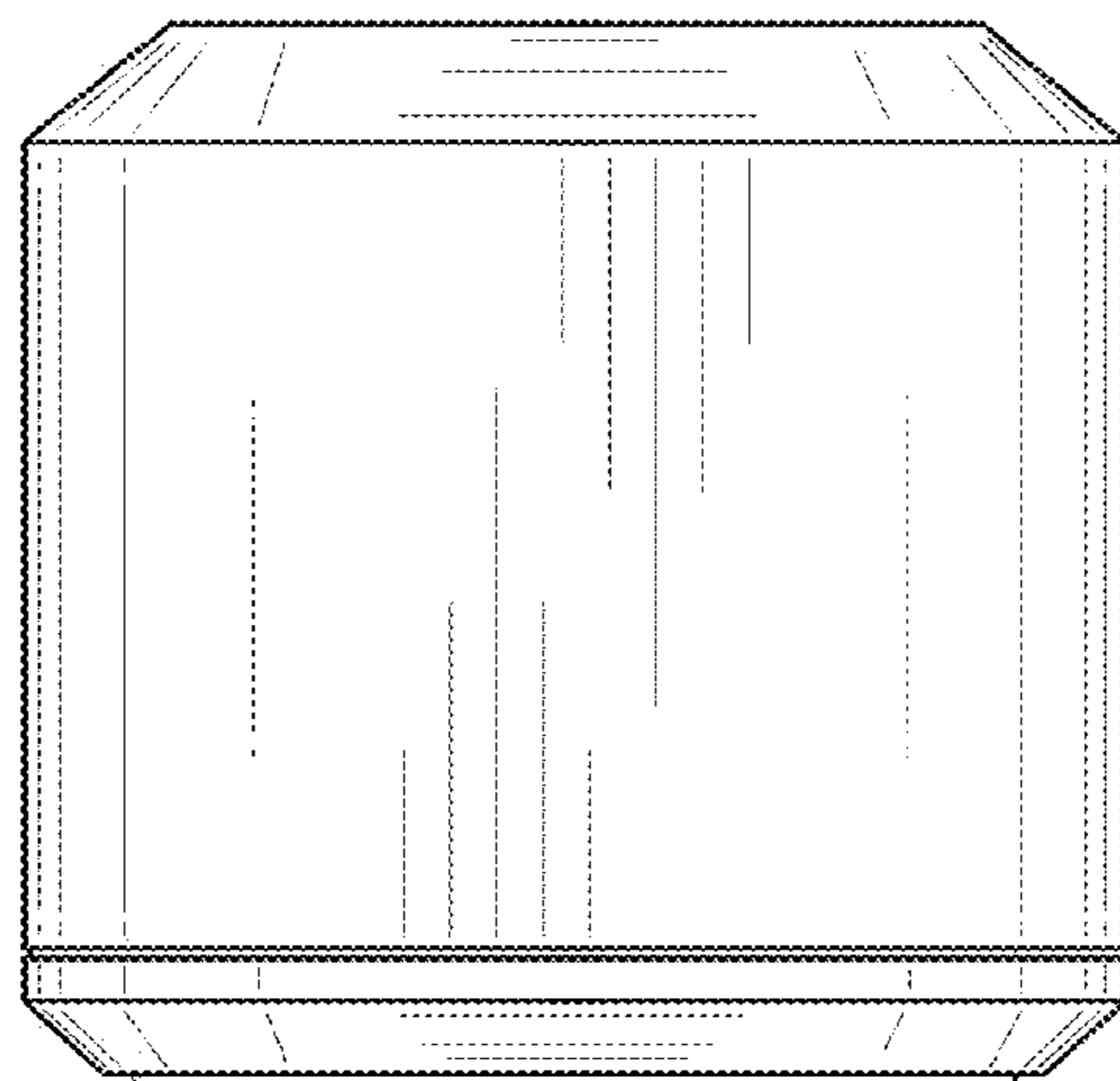


FIG. 11

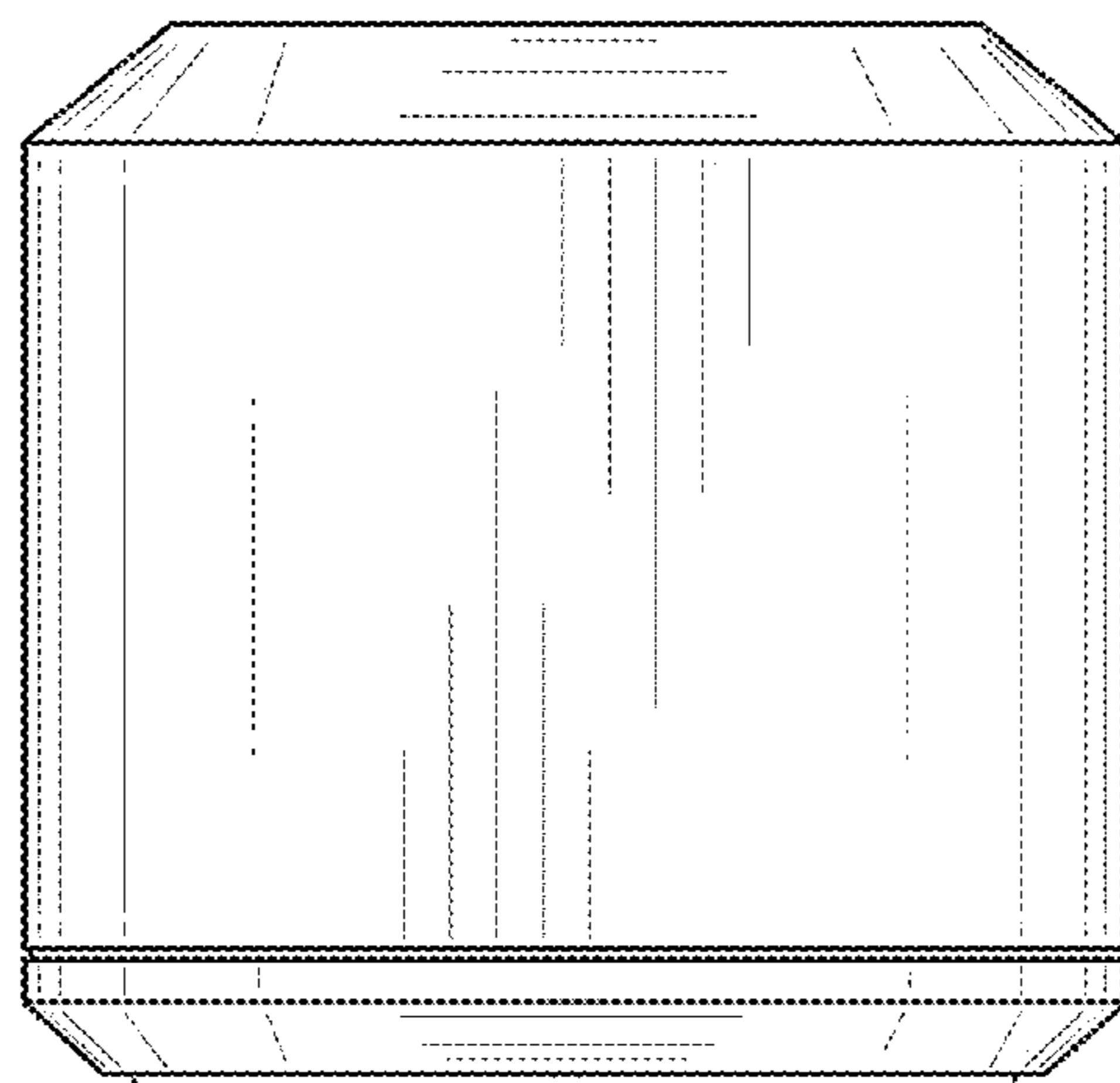


FIG. 12

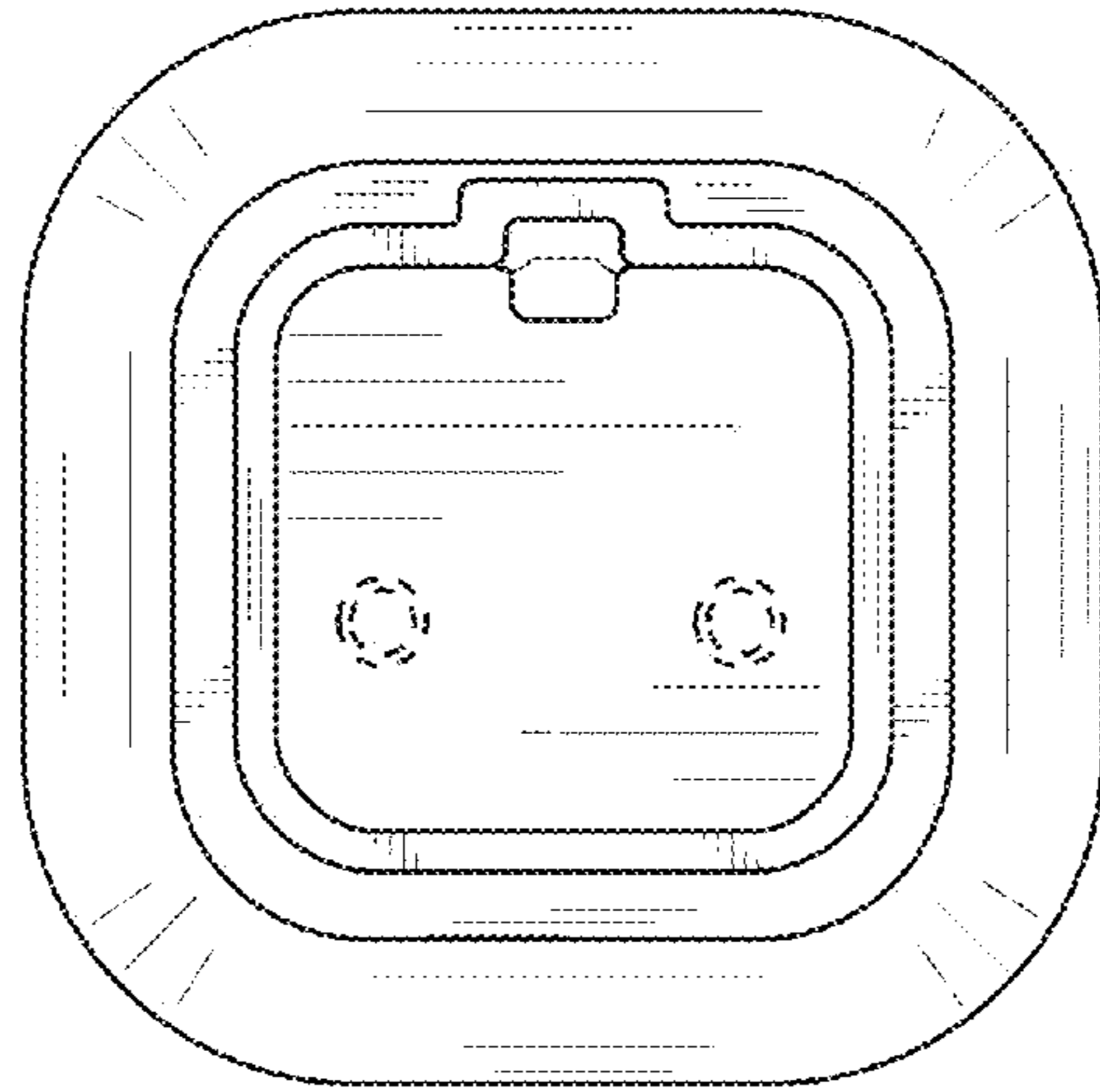


FIG. 13

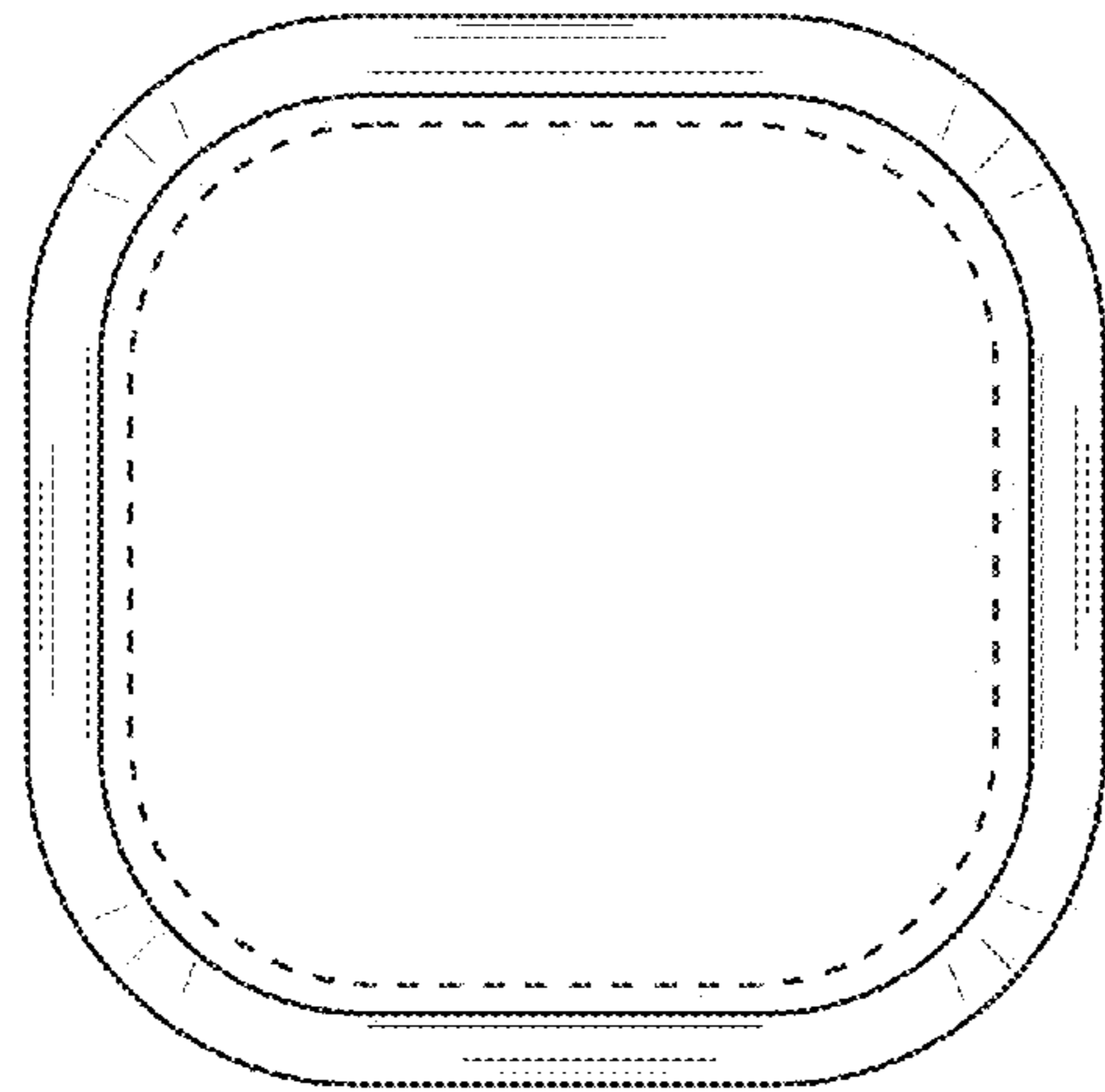


FIG. 14

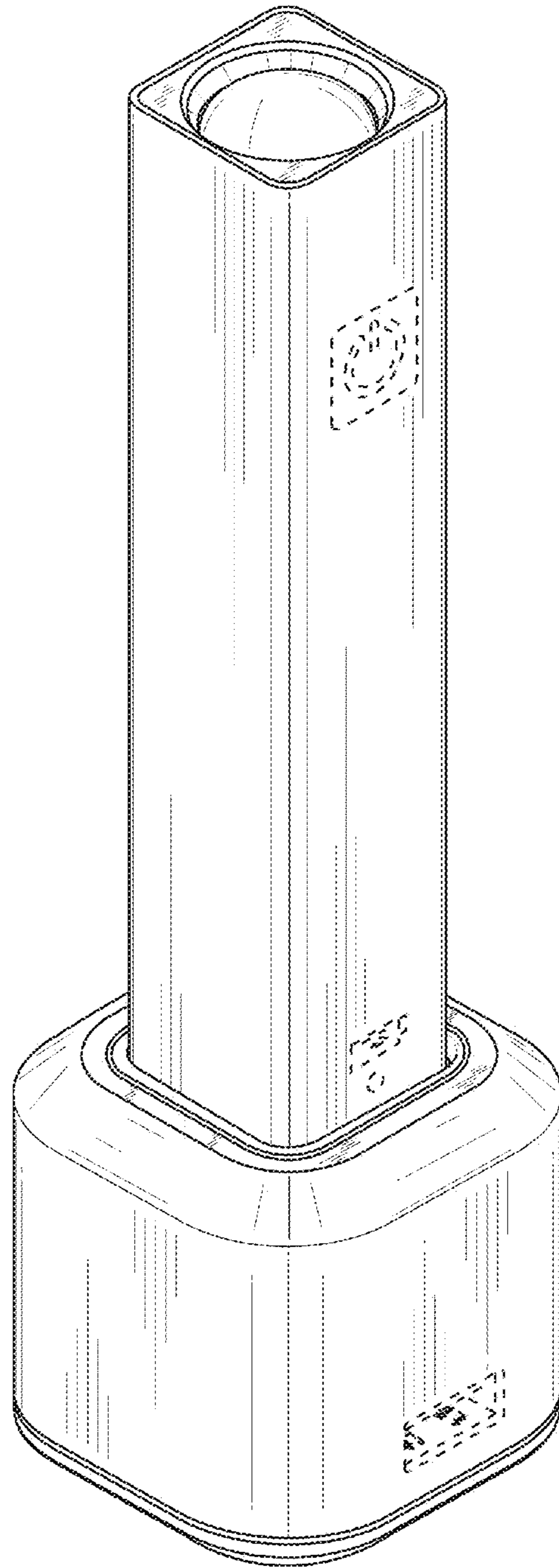


FIG. 15