



US00D754373S

(12) **United States Design Patent**
Lutz et al.

(10) **Patent No.:** **US D754,373 S**
(45) **Date of Patent:** **** Apr. 19, 2016**

(54) **LED TRACK LIGHTING MODULE**

(71) Applicant: **Elive LLC**, New Berlin, WI (US)

(72) Inventors: **Thomas Lutz**, Cedar Rapids, IA (US);
Matthew Allen, Waterford, WI (US)

(73) Assignee: **ELIVE LLC**, Muskego, WI (US)

(**) Term: **14 Years**

(21) Appl. No.: **29/484,503**

(22) Filed: **Mar. 10, 2014**

(51) **LOC (10) Cl.** **26-03**

(52) **U.S. Cl.**
USPC **D26/24**

(58) **Field of Classification Search**
USPC D26/24
CPC F21V 15/01; F21V 19/008; F21V 15/015;
F21V 21/088; F21W 2131/308
See application file for complete search history.

(56) **References Cited**

U.S. PATENT DOCUMENTS

| | | |
|-------------|---------|-------------------|
| 2,988,312 A | 6/1961 | Dumas |
| 3,687,110 A | 8/1972 | Braunhut |
| 3,805,740 A | 4/1974 | Hall |
| 3,828,176 A | 8/1974 | Goldman et al. |
| 3,834,351 A | 9/1974 | Schmidt |
| 4,694,223 A | 9/1987 | Campolo |
| 4,727,448 A | 2/1988 | Hanyuda et al. |
| 2,994,943 A | 2/1991 | Aspenwall |
| 5,089,940 A | 2/1992 | Lanzarone et al. |
| 5,165,778 A | 11/1992 | Matthias et al. |
| 5,211,469 A | 5/1993 | Matthias et al. |
| 5,307,762 A | 5/1994 | Englert |
| 5,848,837 A | 12/1998 | Gustafson |
| 5,873,326 A | 2/1999 | Davet et al. |
| 5,927,845 A | 7/1999 | Gustafson et al. |
| 5,943,198 A | 8/1999 | Hirsh et al. |
| 6,029,604 A | 2/2000 | de Vosjoli et al. |
| 6,166,496 A | 12/2000 | Lys et al. |

| | | |
|--------------|--------|----------------------|
| 6,184,628 B1 | 2/2001 | Ruthenberg |
| 6,187,394 B1 | 2/2001 | Johnson et al. |
| 6,523,976 B1 | 2/2003 | Turnbull et al. |
| 6,577,080 B2 | 6/2003 | Lys et al. |
| 6,673,292 B1 | 1/2004 | Gustafson et al. |
| 6,781,329 B2 | 8/2004 | Mueller et al. |
| 6,921,182 B2 | 7/2005 | Anderson, Jr. et al. |

(Continued)

FOREIGN PATENT DOCUMENTS

DE 102011076128 A1 11/2012

OTHER PUBLICATIONS

“EcoQube—Desktop Ecosystem That Grows Flowers and Herbs”,
by Aqua Design Innovations, <https://www.kickstarter.com/projects/kevinzl/ecoqube-desktop-ecosystem-that-grow-flowers-and-he>,
Dec. 30, 2013 (25 pages).

(Continued)

Primary Examiner — Brian N Vinson

(74) *Attorney, Agent, or Firm* — Michael Best & Friedrich LLP

(57) **CLAIM**

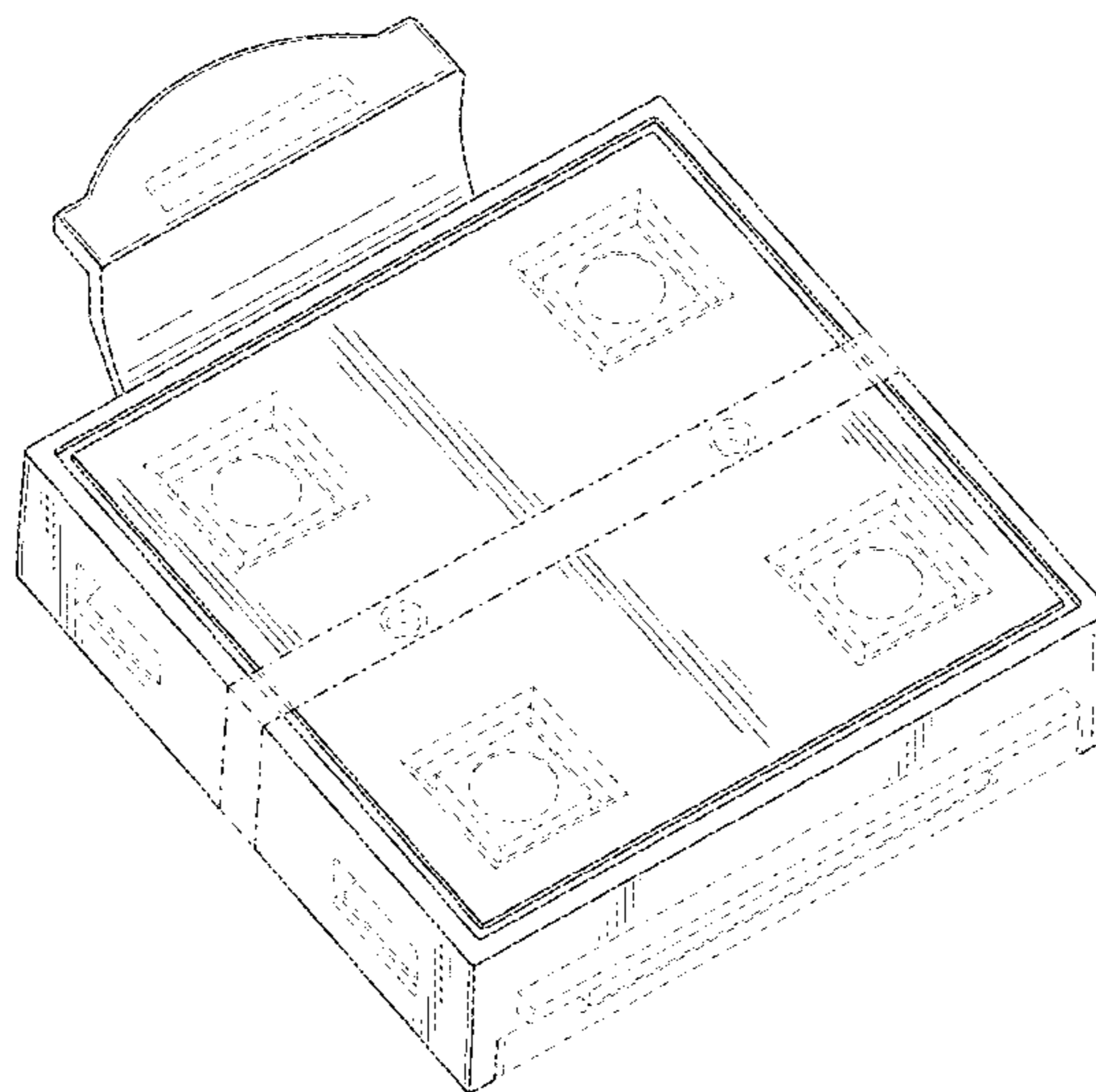
We claim the ornamental design for an LED track lighting module, as shown and described.

DESCRIPTION

FIG. 1 is a perspective view of an LED track lighting module our new design;
FIG. 2 is a bottom view thereof;
FIG. 3 is a left side view thereof;
FIG. 4 is a front view thereof; and,
FIG. 5 is a rear view thereof.

The broken line disclosure represents portion of the LED track lighting module which form no part of the claimed design. The portion between the lines where the module is shown broken away forms no part of the claimed design.

1 Claim, 3 Drawing Sheets



(56)

References Cited

U.S. PATENT DOCUMENTS

6,967,448 B2 11/2005 Morgan et al.
 7,024,814 B1 4/2006 McDougle
 7,185,997 B2 3/2007 Simoni
 7,187,141 B2 3/2007 Mueller et al.
 7,220,018 B2 5/2007 Crabb et al.
 7,221,104 B2 5/2007 Lys et al.
 7,258,459 B2 8/2007 Wang
 7,307,391 B2 12/2007 Shan
 7,427,840 B2 9/2008 Morgan et al.
 7,436,134 B2 10/2008 Levine
 7,453,217 B2 11/2008 Lys et al.
 7,473,008 B2 1/2009 Crabb et al.
 7,482,764 B2 1/2009 Morgan et al.
 7,500,776 B1 3/2009 Buczko
 7,543,952 B1 6/2009 Chang
 7,878,674 B2 2/2011 Crabb et al.
 7,946,729 B2 5/2011 Ivey et al.
 D646,002 S * 9/2011 Wang D26/24

D646,003 S * 9/2011 Wang D26/24
 8,057,060 B2 11/2011 Fredricks
 8,100,087 B2 1/2012 Fredricks
 8,115,411 B2 2/2012 Shan
 8,222,833 B2 7/2012 Lin
 8,230,815 B2 7/2012 Fredricks
 8,232,745 B2 7/2012 Chemel et al.
 8,256,924 B2 9/2012 Simon et al.
 8,299,695 B2 10/2012 Simon et al.
 D690,839 S * 10/2013 Wang D26/24
 D690,847 S * 10/2013 Wang D26/24
 8,646,934 B2 2/2014 Fredricks
 2007/0253196 A1 11/2007 Ormiston

OTHER PUBLICATIONS

Office Action and English translation from the German Patent and Trademark Office for German Application No. 202014100627.3 dated Sep. 1, 2014 (10 pages).

* cited by examiner

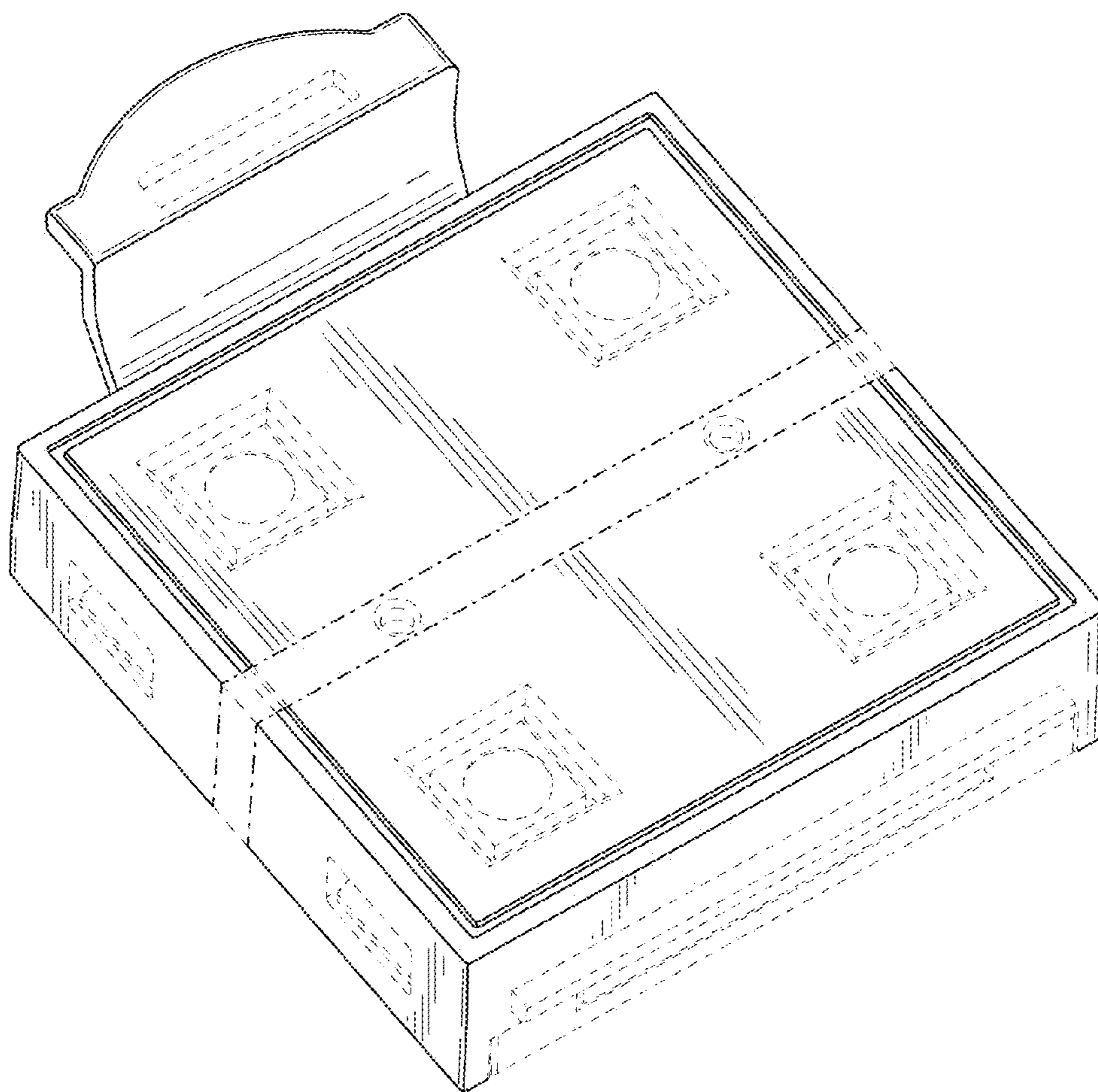


FIG. 1

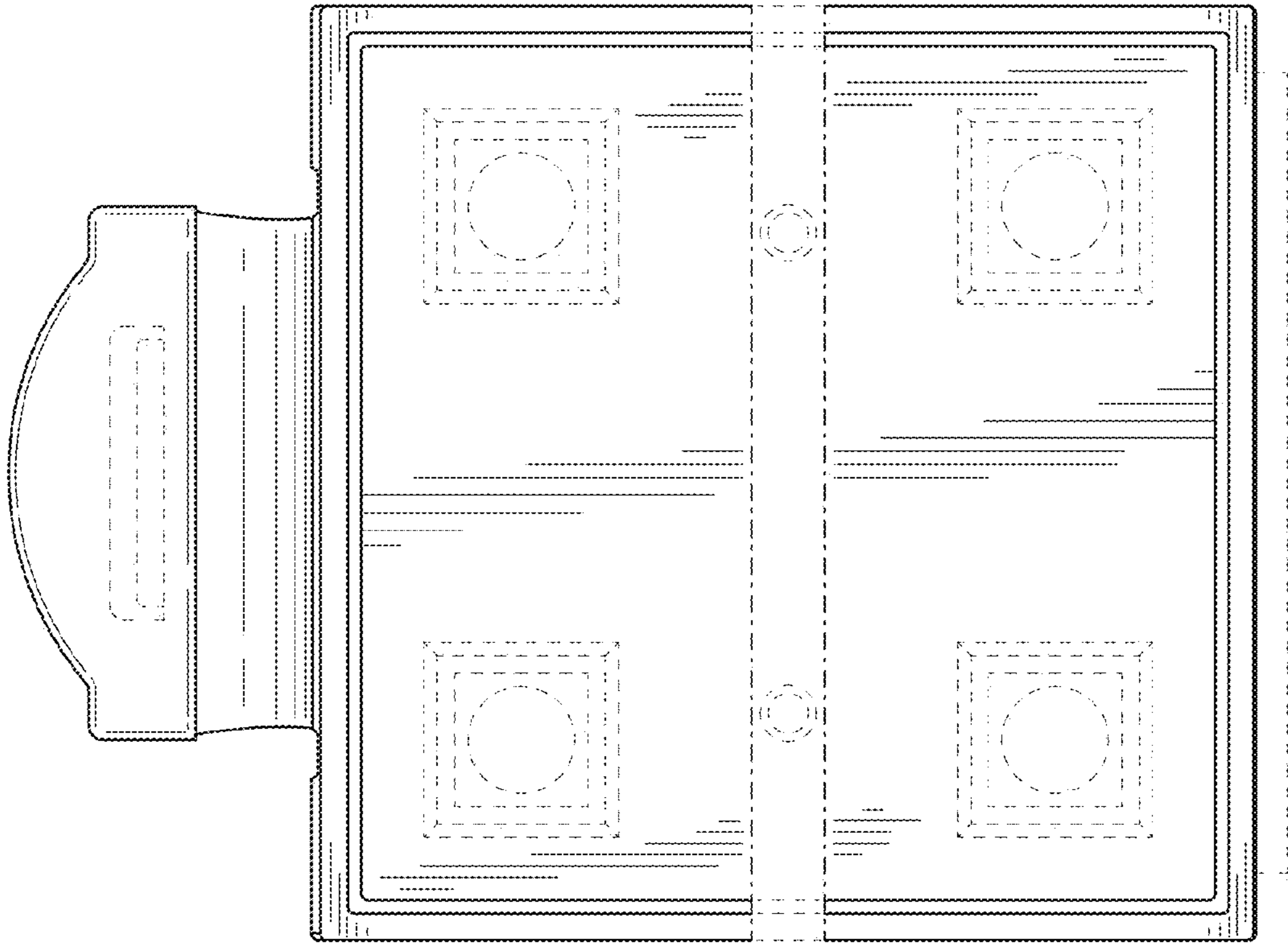


FIG. 2

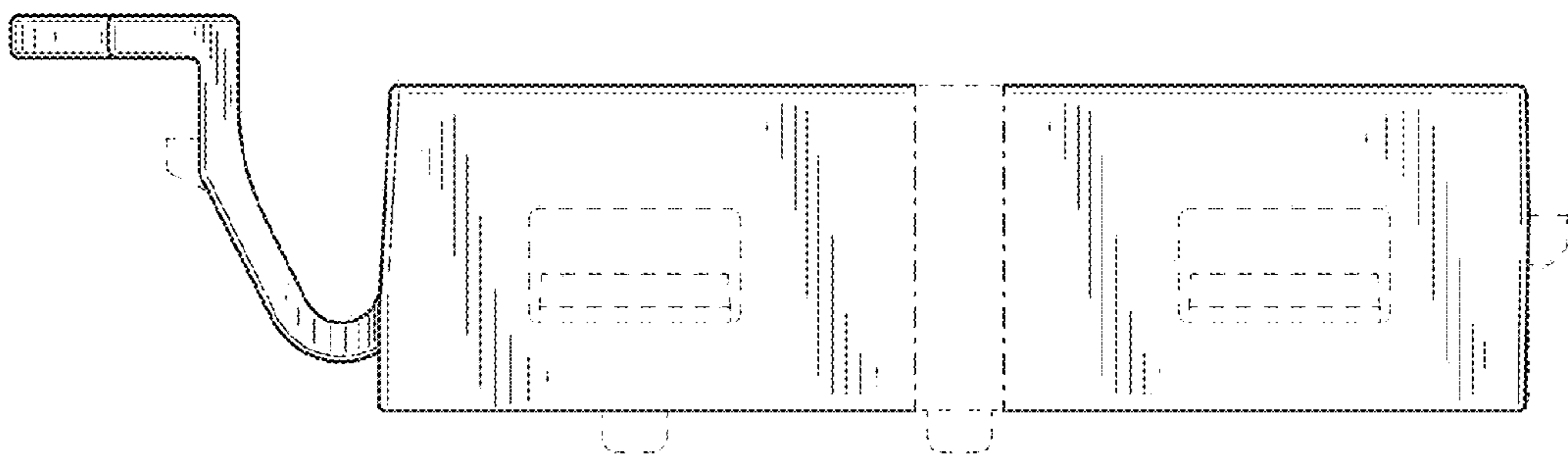


FIG. 3

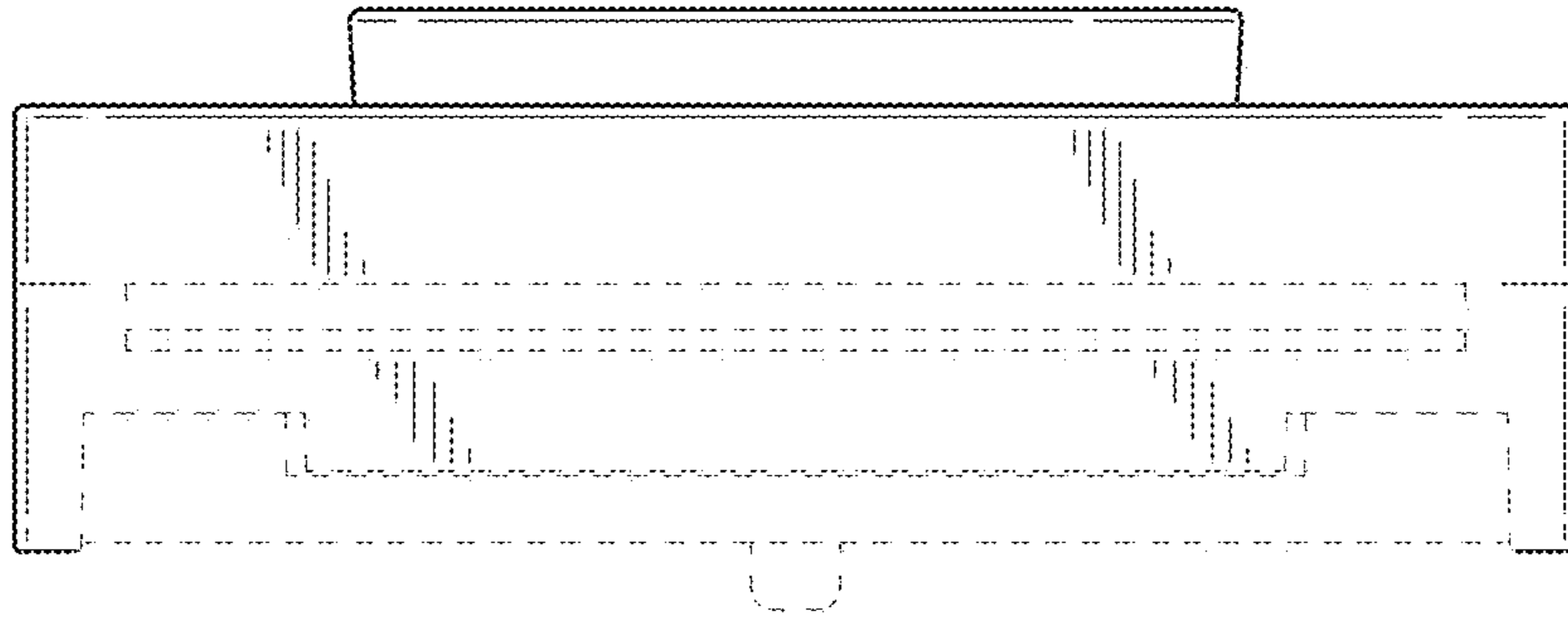


FIG. 4

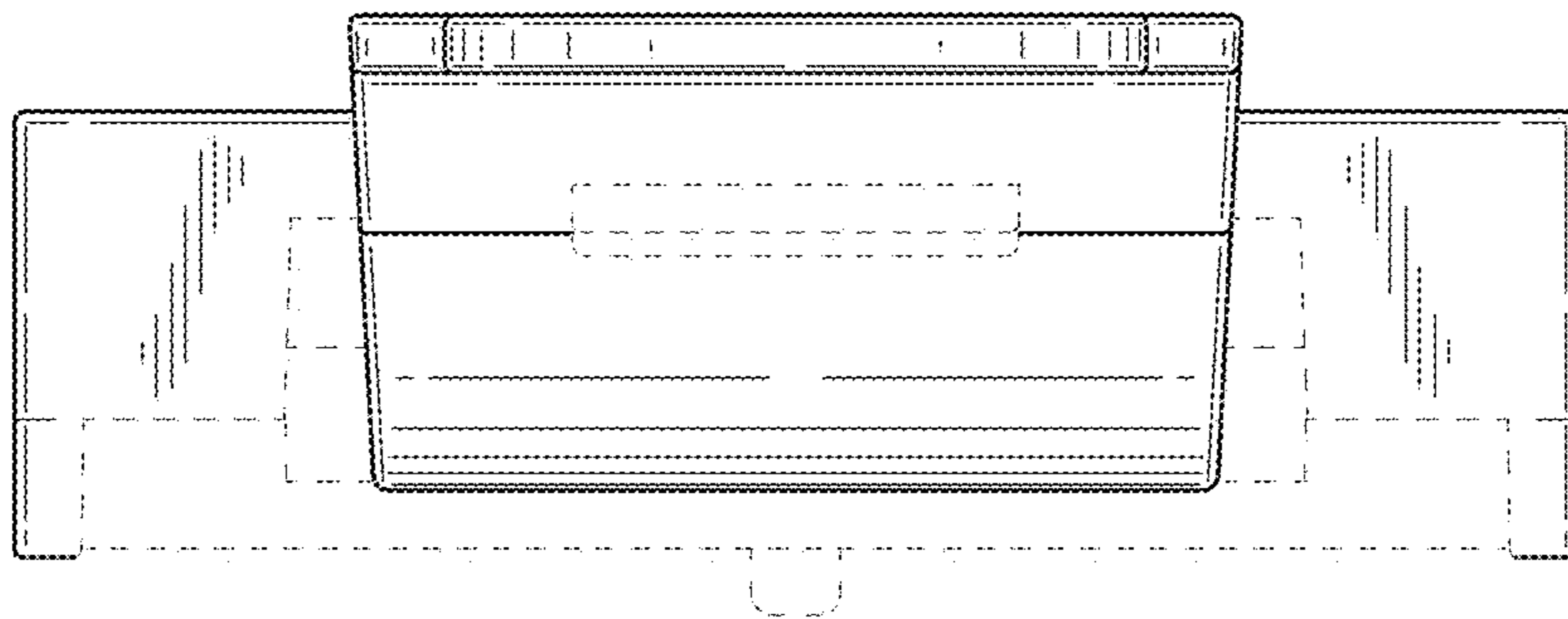


FIG. 5